



US00D807695S

(12) **United States Design Patent**  
**Durra**

(10) **Patent No.:** **US D807,695 S**  
(45) **Date of Patent:** **\*\* Jan. 16, 2018**

(54) **ESPRESSO DOSING DEVICE**

(71) Applicant: **Frank Durra**, Stolberg (DE)

(72) Inventor: **Frank Durra**, Stolberg (DE)

(\*\*) Term: **15 Years**

(21) Appl. No.: **29/558,398**

(22) Filed: **Mar. 17, 2016**

(30) **Foreign Application Priority Data**

Sep. 17, 2015 (EM) ..... 2 774 570

(51) **LOC (11) Cl.** ..... **07-99**

(52) **U.S. Cl.**  
USPC ..... **D7/399**

(58) **Field of Classification Search**  
USPC ..... D7/399, 300, 305, 306, 309, 312-314,  
D7/320, 322, 372, 373, 387  
CPC ..... A47J 31/0657; A47J 31/52; A47J 31/4464  
See application file for complete search history.

(56) **References Cited**

**U.S. PATENT DOCUMENTS**

- 4,534,858 A \* 8/1985 Aldrich ..... A47J 43/22  
209/236
- 5,463,933 A \* 11/1995 Landais ..... A47J 31/0657  
99/285
- D393,568 S \* 4/1998 Storsberg ..... D7/397
- D502,053 S \* 2/2005 Bodum ..... D7/399

**OTHER PUBLICATIONS**

Versalab in the Coffee Shop, Webpage, Retrieved online Jun. 14, 2016, [www.versalab.com/IN%20THE%20COFFEE%20SHOP.html](http://www.versalab.com/IN%20THE%20COFFEE%20SHOP.html), Published Nov. 28, 2013.

\* cited by examiner

*Primary Examiner* — Daniel D Bui

*Assistant Examiner* — Andrew Kerr

(74) *Attorney, Agent, or Firm* — Hodgson Russ LLP

(57) **CLAIM**

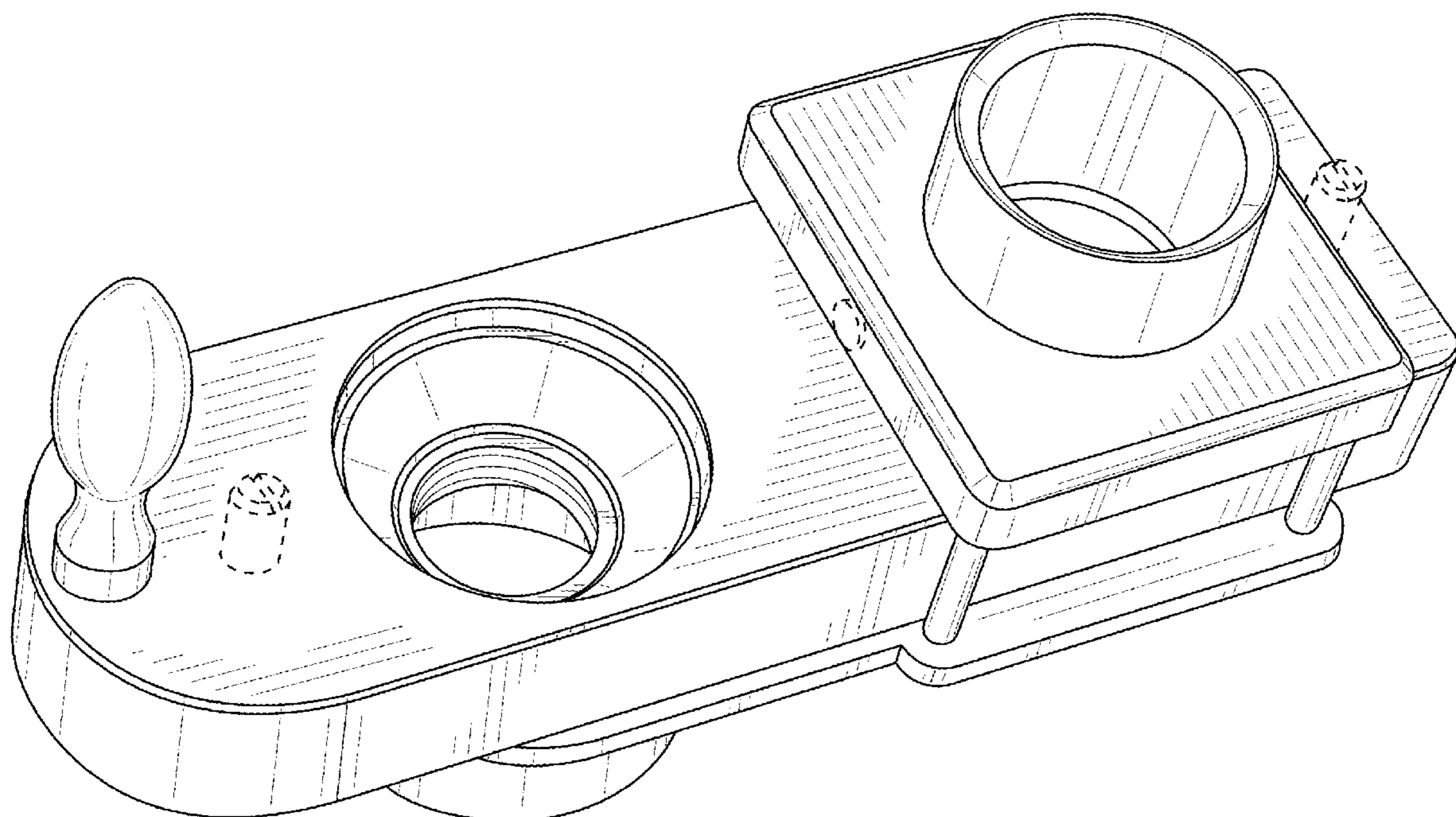
The ornamental design for an espresso dosing device, as shown and described.

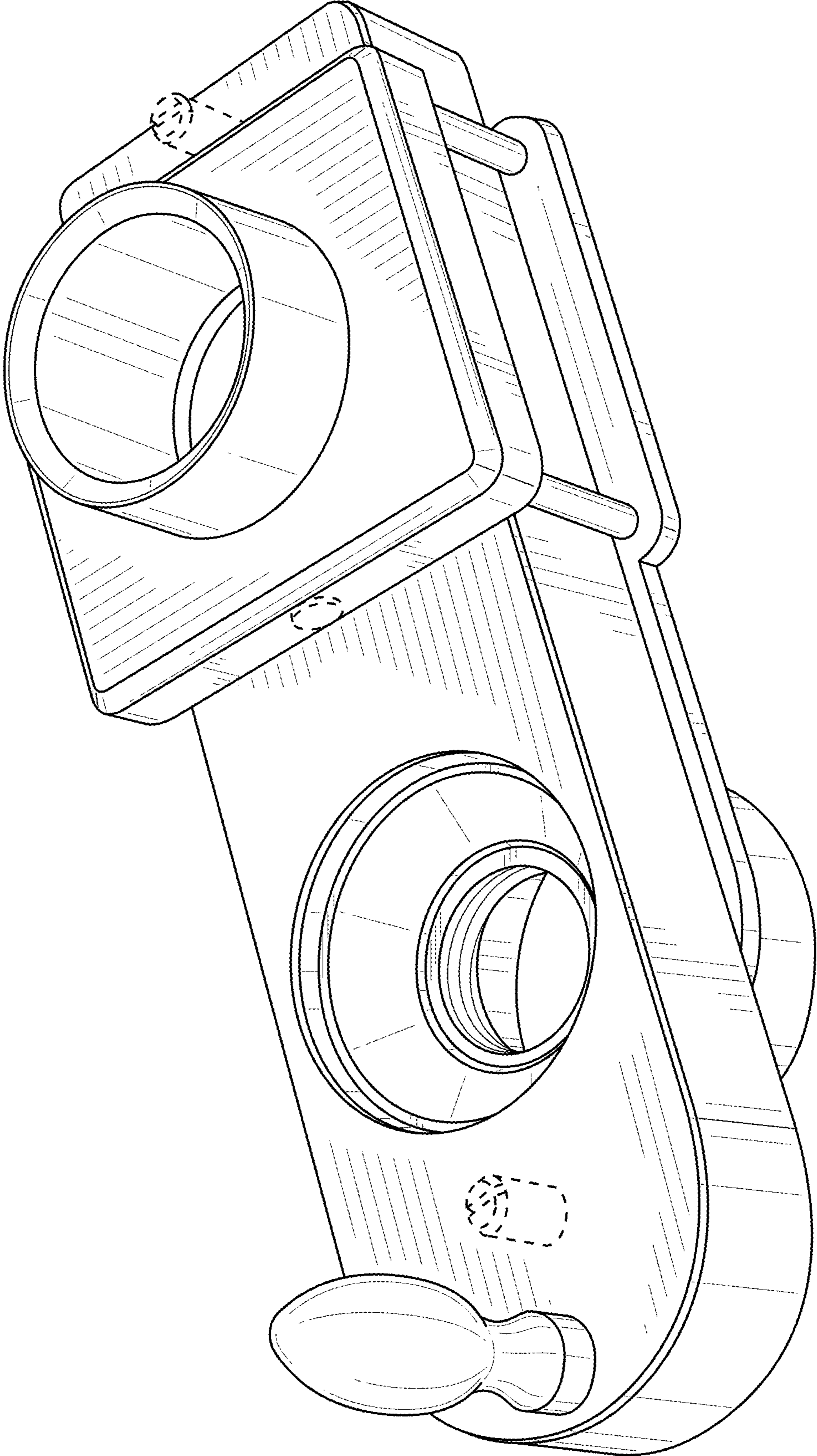
**DESCRIPTION**

FIG. 1 is a perspective view of an espresso dosing device showing my new design;  
FIG. 2 is a front elevational view thereof;  
FIG. 3 is a rear elevational view thereof;  
FIG. 4 is a right side elevational view thereof;  
FIG. 5 is a left side elevational view thereof;  
FIG. 6 is a top view thereof; and,  
FIG. 7 is a bottom view thereof.

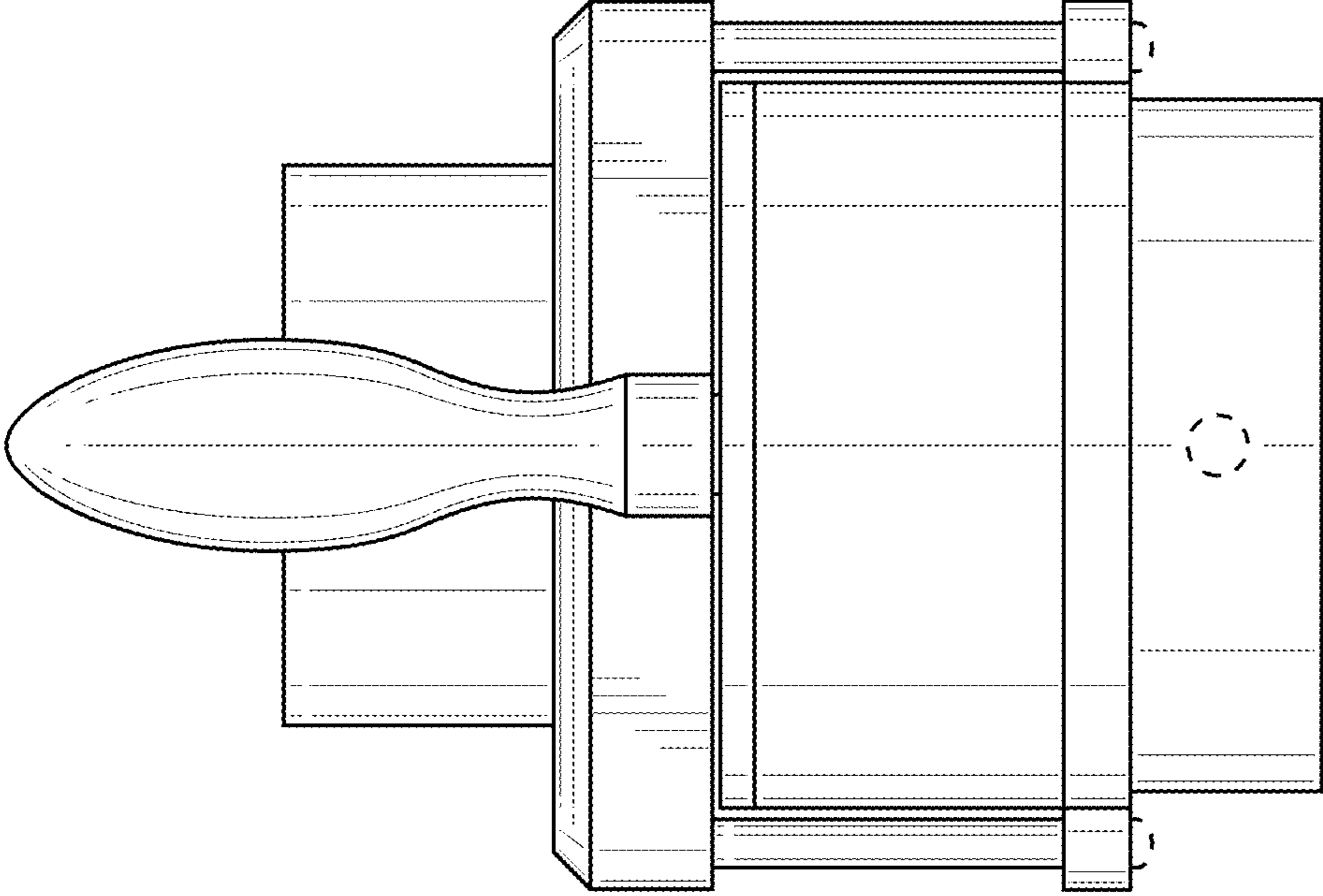
The broken lines in the drawing views represent unclaimed portions of an espresso dosing device, which are included for the purpose of illustrating unclaimed environment only, and form no part of the claimed design.

**1 Claim, 7 Drawing Sheets**

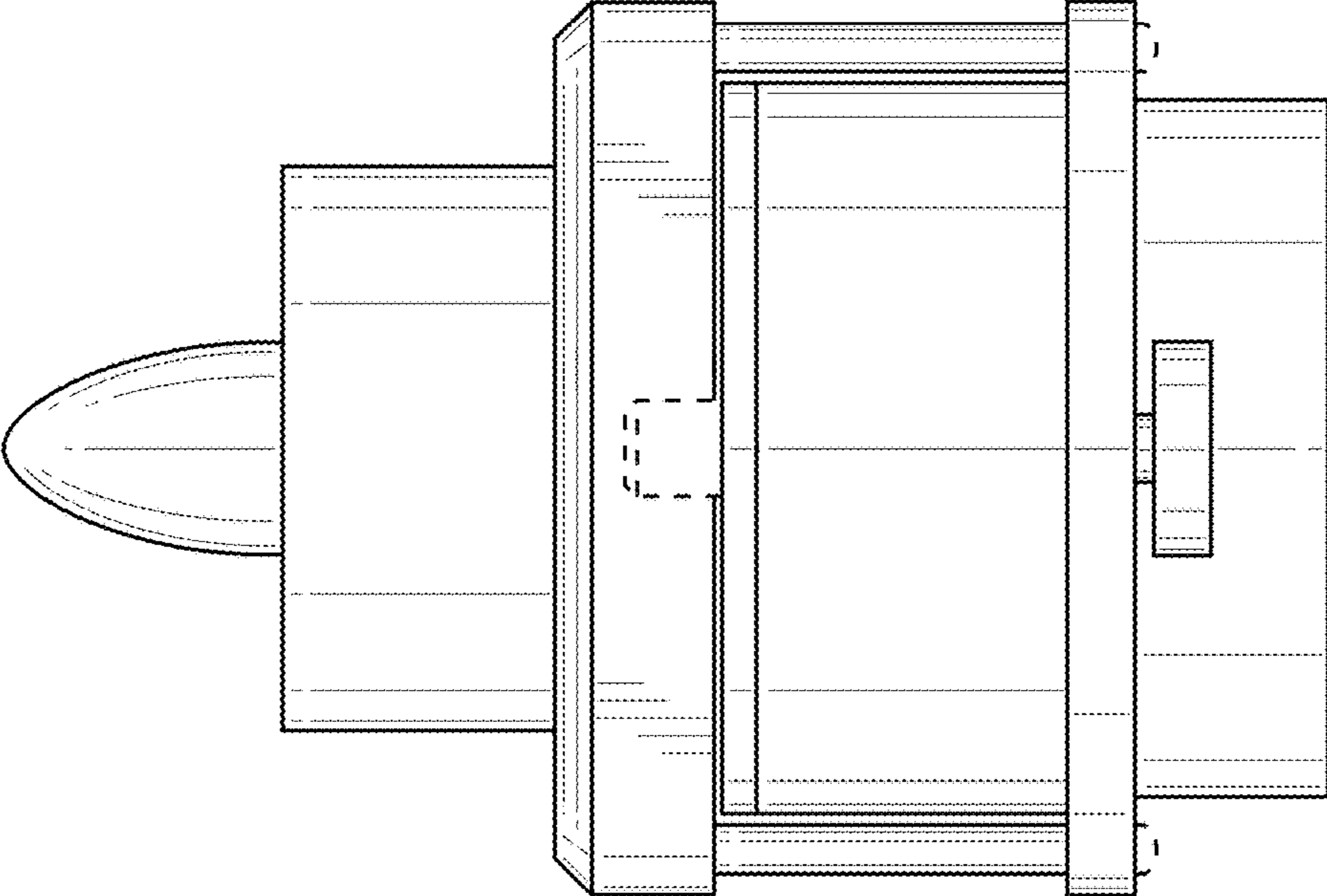




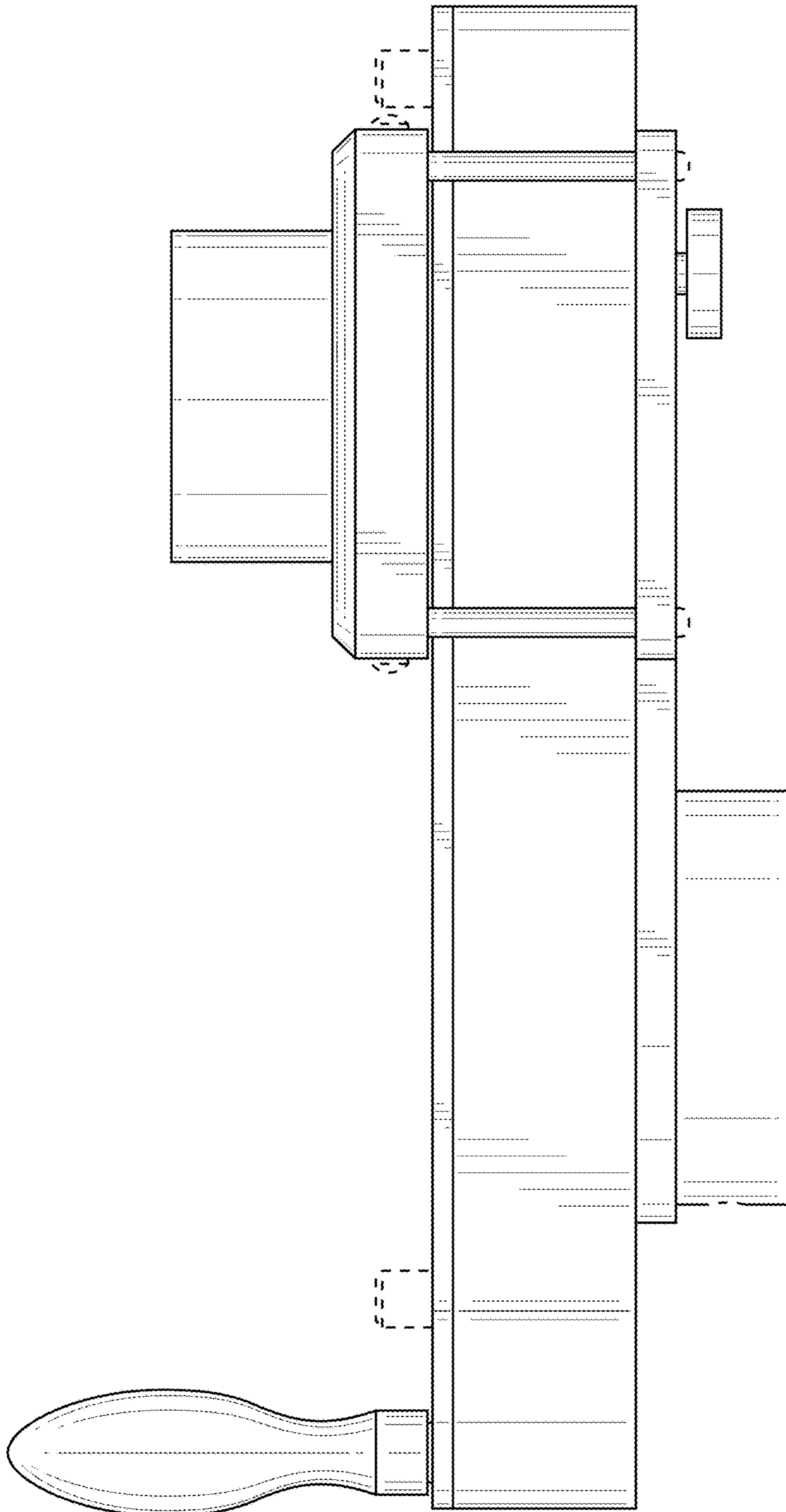
**FIG. 1**



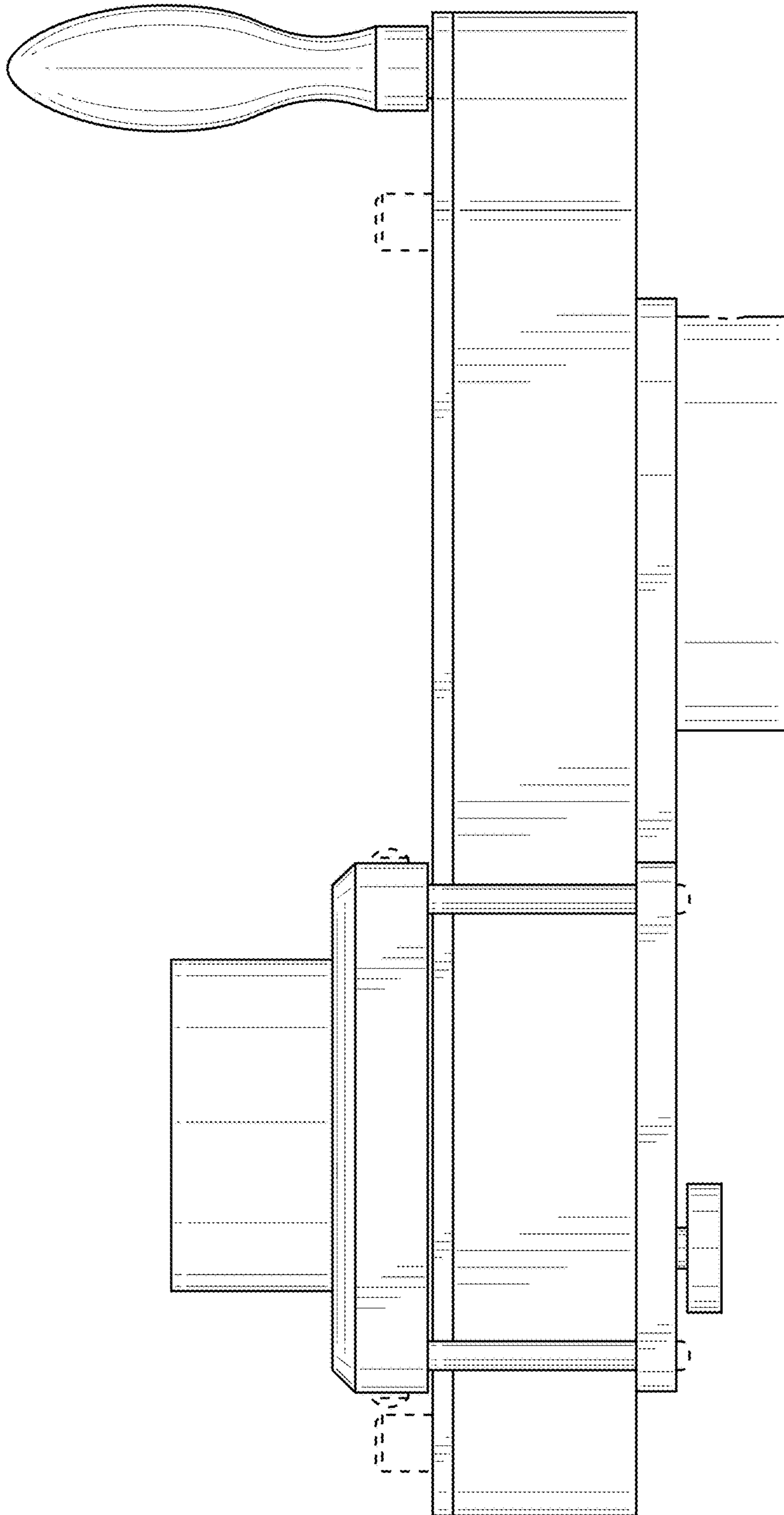
**FIG. 2**



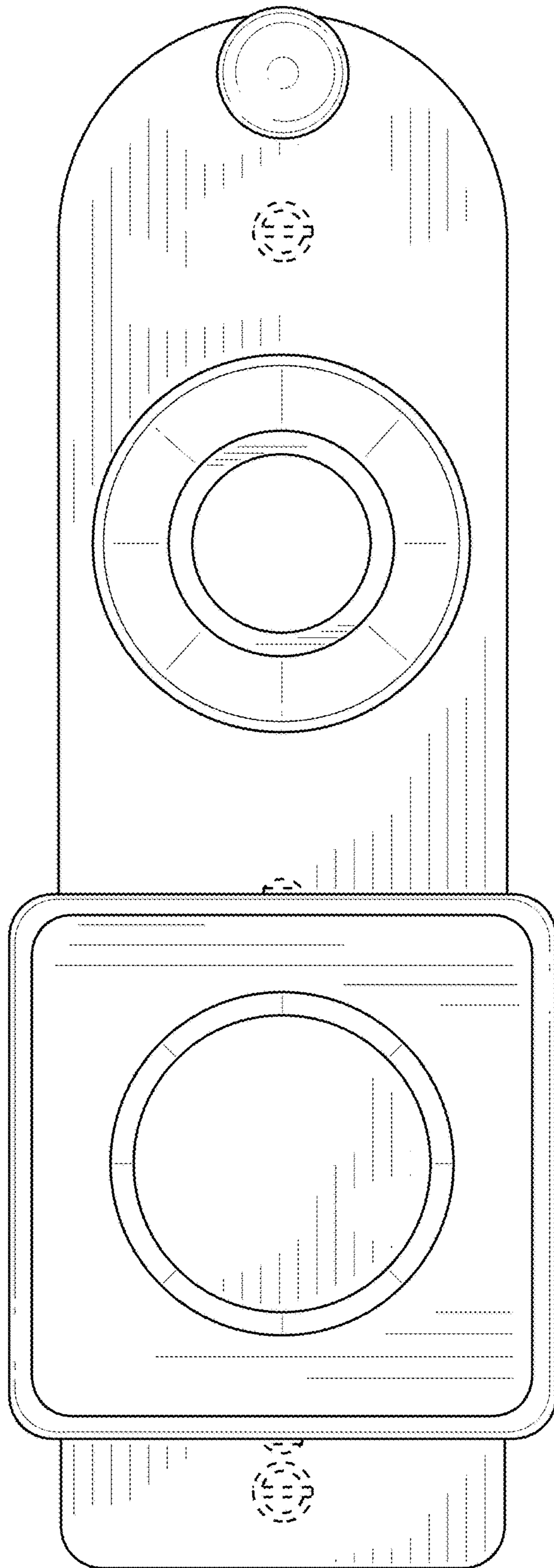
**FIG. 3**



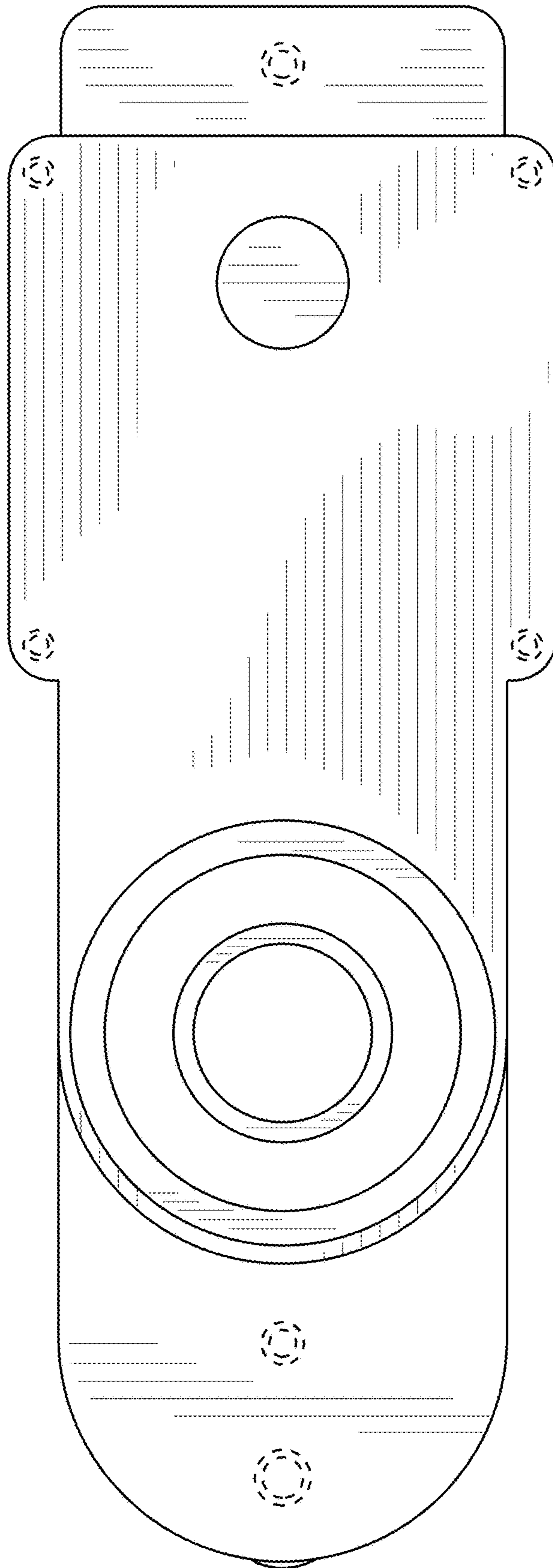
**FIG. 4**



**FIG. 5**



**FIG. 6**



**FIG. 7**