



US00D807692S

(12) **United States Design Patent**  
**Yao**

(10) **Patent No.:** **US D807,692 S**  
(45) **Date of Patent:** **\*\* Jan. 16, 2018**

(54) **BOTTLE LID**

- (71) Applicant: **Hangzhou Everich Houseware Co., Ltd.**, Hangzhou, Zhejiang (CN)
- (72) Inventor: **Huajun Yao**, Zhejiang (CN)
- (73) Assignee: **HANGZHOU EVERICH HOUSEWARE CO., LTD.**, Qianjaing CDB, Hangzhou, Zhejiang (CN)
- (\*\*) Term: **15 Years**
- (21) Appl. No.: **29/532,772**
- (22) Filed: **Jul. 9, 2015**
- (51) **LOC (11) Cl.** ..... **07-01**
- (52) **U.S. Cl.**  
USPC ..... **D7/392.1; D9/449**
- (58) **Field of Classification Search**  
USPC ..... D7/391, 392, 392.1, 396.1, 396.2, 397, D7/398, 509, 510, 511, 543; D9/435, D9/436, 438, 447, 449, 450; D10/46.2, D10/46.3  
CPC ..... B65D 47/066  
See application file for complete search history.

(56) **References Cited**

**U.S. PATENT DOCUMENTS**

D369,943	S	*	5/1996	Dark	.....	D7/392.1
D425,362	S	*	5/2000	Meyers	.....	D7/392.1
D461,361	S	*	8/2002	Orr	.....	D7/392.1
D688,093	S	*	8/2013	Roth	.....	D7/392.1
8,550,269	B2	*	10/2013	Lane	.....	B65D 47/066
						215/229
8,672,174	B1	*	3/2014	McMullin	.....	A47G 21/18
						215/229
D725,436	S	*	3/2015	Miller	.....	D7/396.2
D742,230	S	*	11/2015	Charles	.....	D7/396.2
D748,430	S	*	2/2016	Sorensen	.....	D7/392.1
2009/0026218	A1	*	1/2009	Wong	.....	B65D 47/2043
						220/713
2015/0173539	A1	*	6/2015	Mason	.....	A47G 19/2272
						220/707

(Continued)

**OTHER PUBLICATIONS**

“Everich 750ml Square Tritan Bottle”. Found online May 24, 2017 at everich.cn. Page dated Aug. 9, 2016. Retrieved from https://web.archive.org/web/20160809161131/http://www.everich.cn/Bottle/750ml\_square\_tritan\_bottle\_.html.\*

(Continued)

*Primary Examiner* — Robert M. Spear

*Assistant Examiner* — Kendra L Hamilton

(74) *Attorney, Agent, or Firm* — Global IP Services; Tianhua Gu

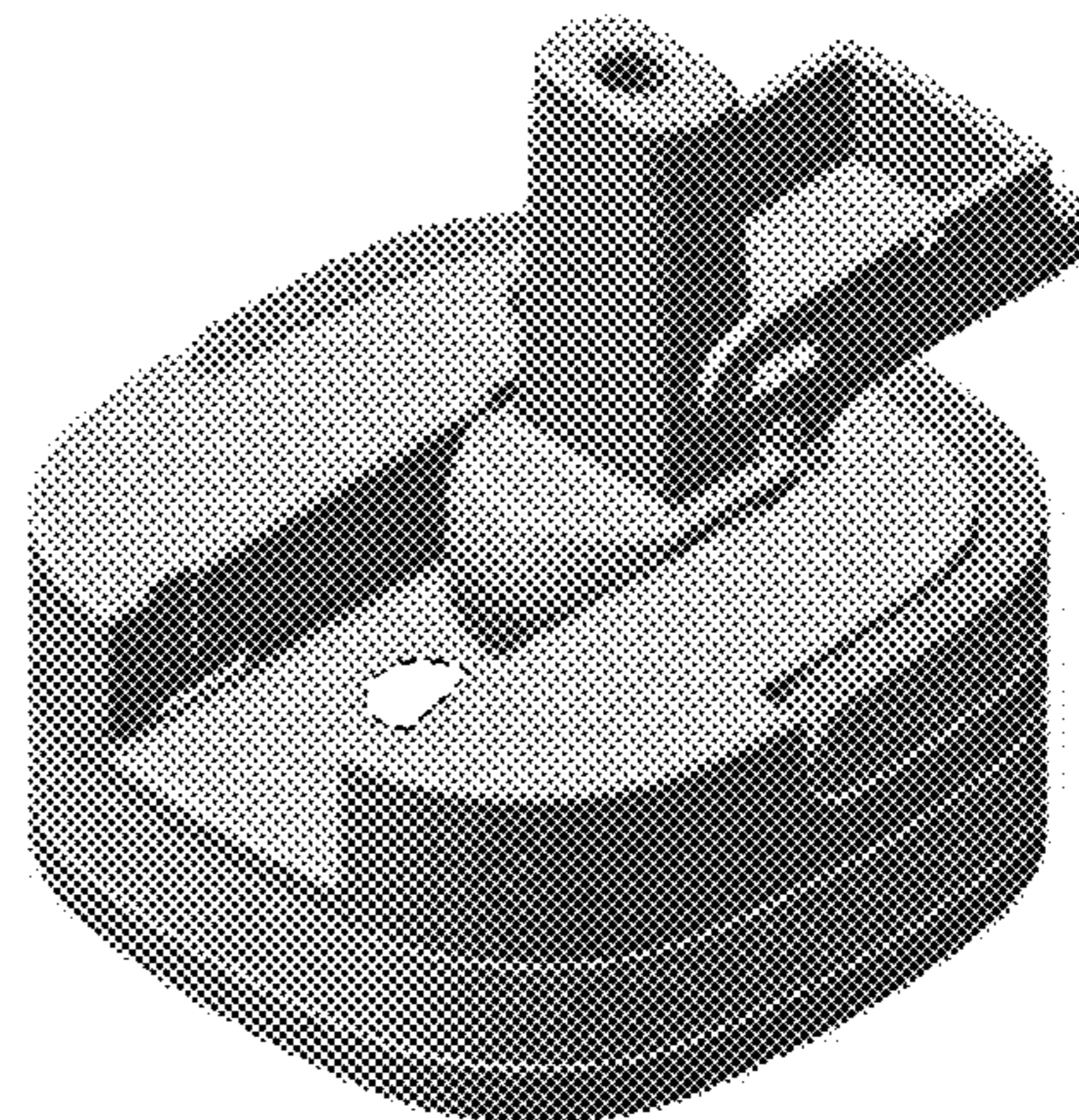
(57) **CLAIM**

The ornamental design for a bottle lid, as shown and described.

**DESCRIPTION**

FIG. 1 is a front elevation view of a bottle lid, showing my new design;  
 FIG. 2 is a rear elevation view thereof;  
 FIG. 3 is a left side elevation view thereof;  
 FIG. 4 is a right side elevation view thereof;  
 FIG. 5 is a top plan view thereof;  
 FIG. 6 is a bottom plan view thereof;  
 FIG. 7 is a top front left perspective view thereof;  
 FIG. 8 is a bottom front left perspective view thereof;  
 FIG. 9 is a top front right perspective view thereof;  
 FIG. 10 is a bottom front right perspective view thereof;  
 FIG. 11 is a top front left perspective view of the bottle lid with flip cap open and straw extended for clarity of disclosure; and,  
 FIG. 12 is a top front right perspective view thereof.  
 The broken lines in the figures represent the boundary between claimed and unclaimed areas. The white areas inside the broken lines form no part of the claimed design.

**1 Claim, 6 Drawing Sheets**



(56)

**References Cited**

U.S. PATENT DOCUMENTS

2015/0307265 A1\* 10/2015 Winn ..... A23L 2/395  
426/66  
2016/0325892 A1\* 11/2016 Yamaguchi ..... B65D 47/0857

OTHER PUBLICATIONS

“Salute 24oz Tritan Bottle—Flip Straw Lid”. Found online Oct. 27, 2016 at waterbottles.com. Page dated Oct. 10, 2014. Retrieved from <http://web.archive.org/web/20141010061310/http://waterbottles.com/salute-24-oz-tritan-bottle-flip-straw-lid>.\*

“Nuby’s Flip-It Top Gator Grip Review”. Found online Oct. 27, 2016 at mommyscraftobsession.com. Page dated Mar. 8, 2013. Retrieved from <http://www.mommyscraftobsession.com/2013/03/nubys-flip-it-top-gator-grip-review.html>.\*

“Hydro Flash Wide Mouth Straw Lid”. Found online Oct. 27, 2016 at amazon.com. Page dated Jul. 4, 2013. Retrieved from [https://www.amazon.com/Hydro-Flask-Mouth-Straw-Black/dp/B01GW2HF98/ref=cm\\_cr\\_arp\\_d\\_product\\_top?ie=UTF8](https://www.amazon.com/Hydro-Flask-Mouth-Straw-Black/dp/B01GW2HF98/ref=cm_cr_arp_d_product_top?ie=UTF8).\*

\* cited by examiner

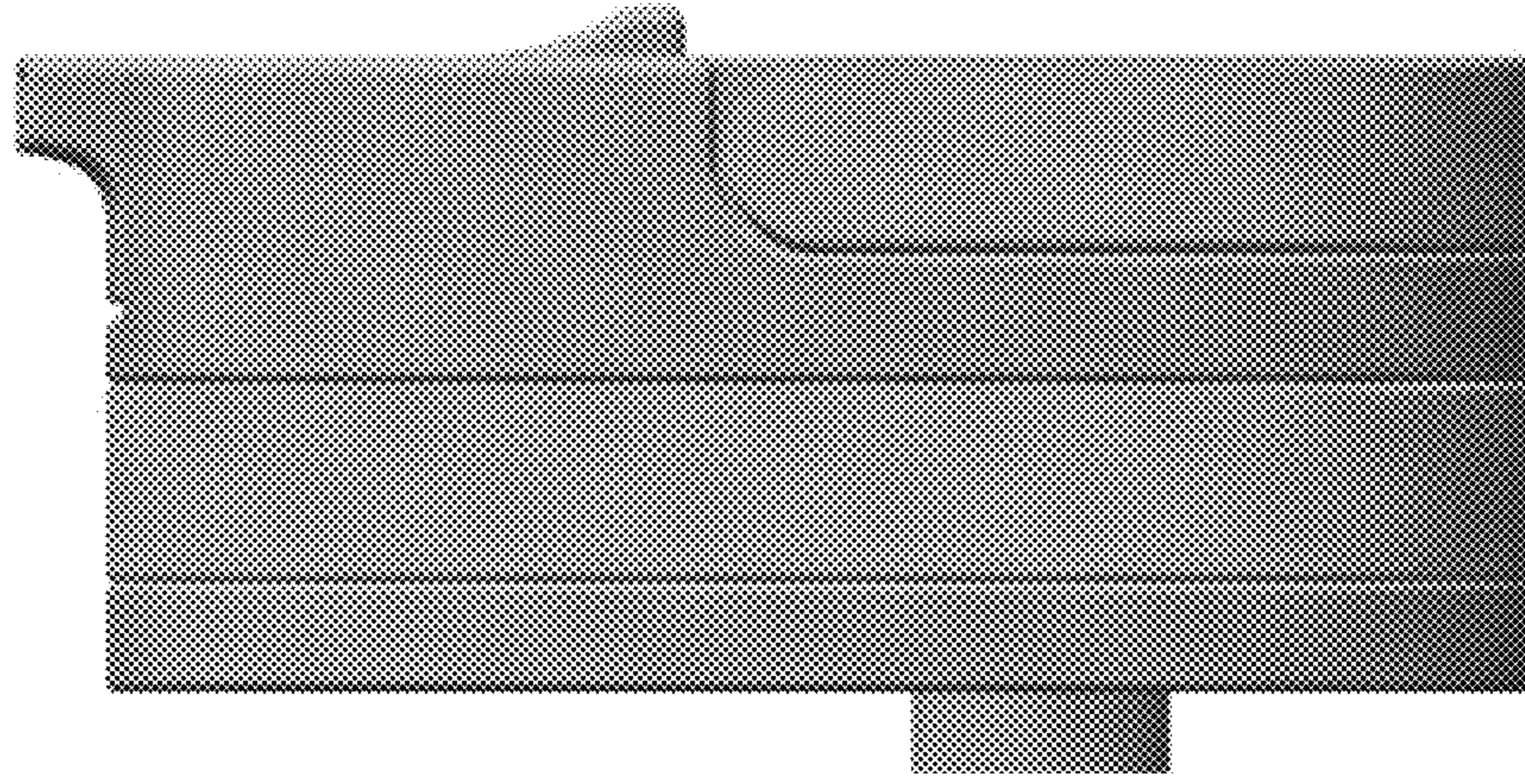


Fig. 1

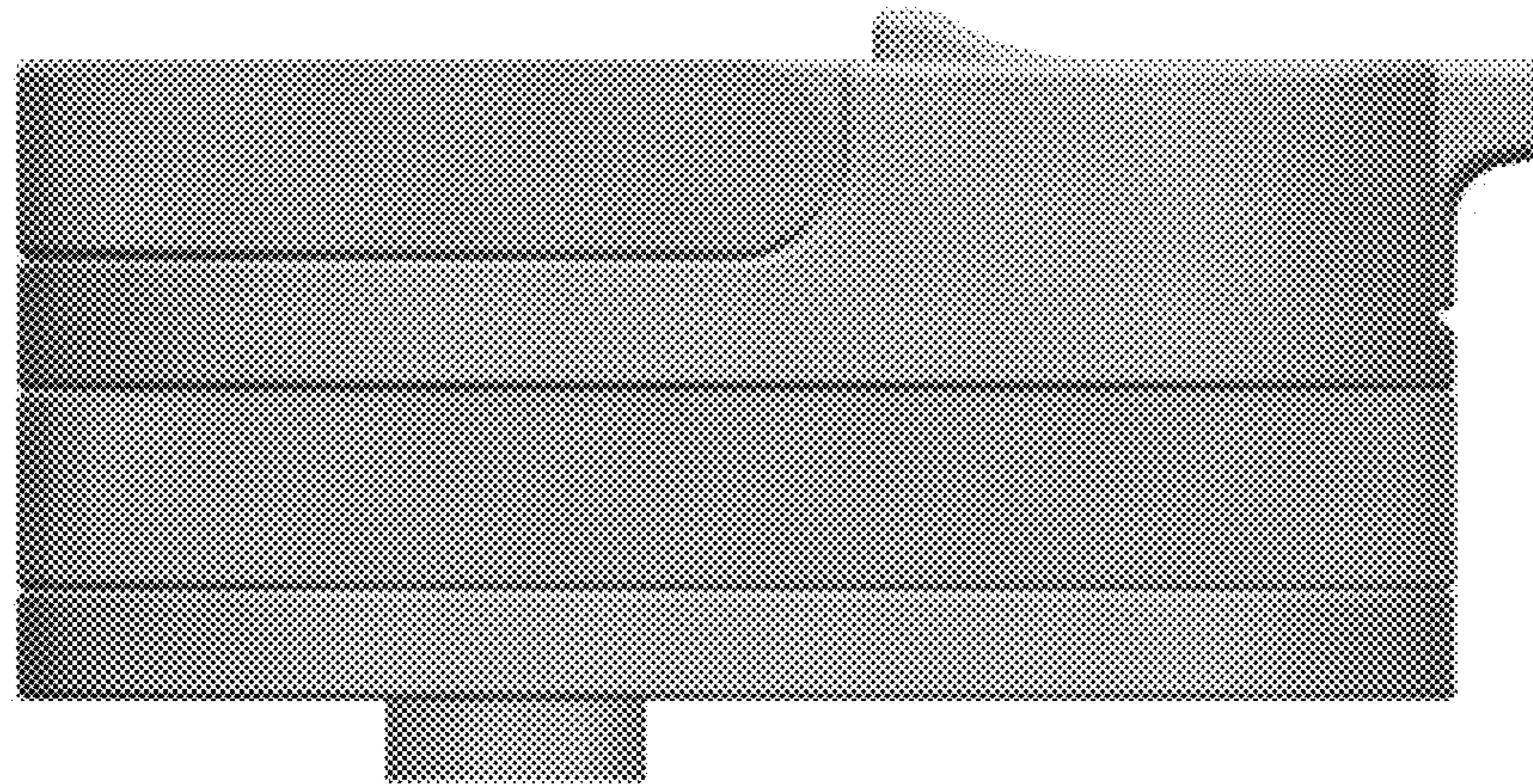


Fig. 2

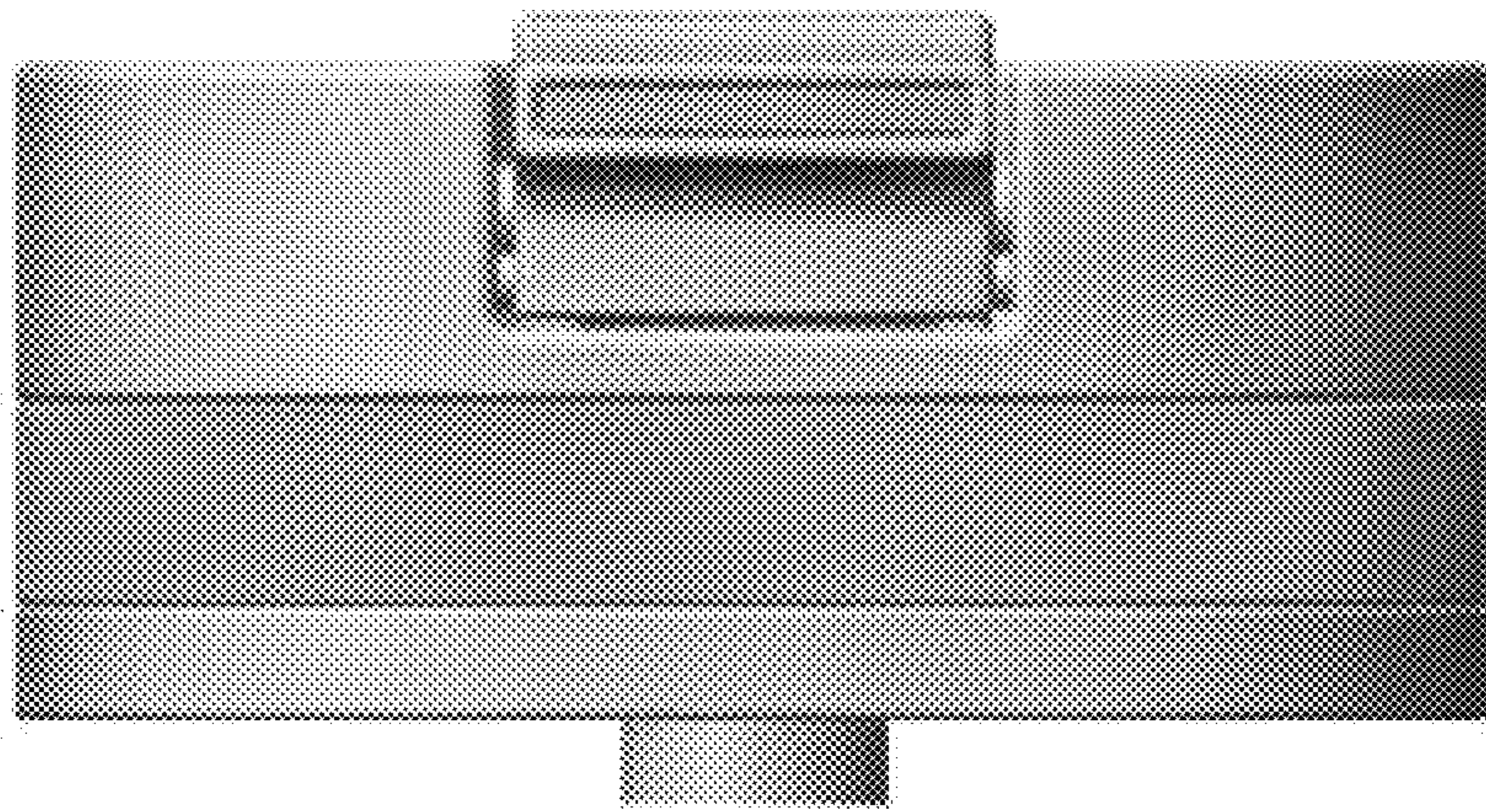


Fig. 3

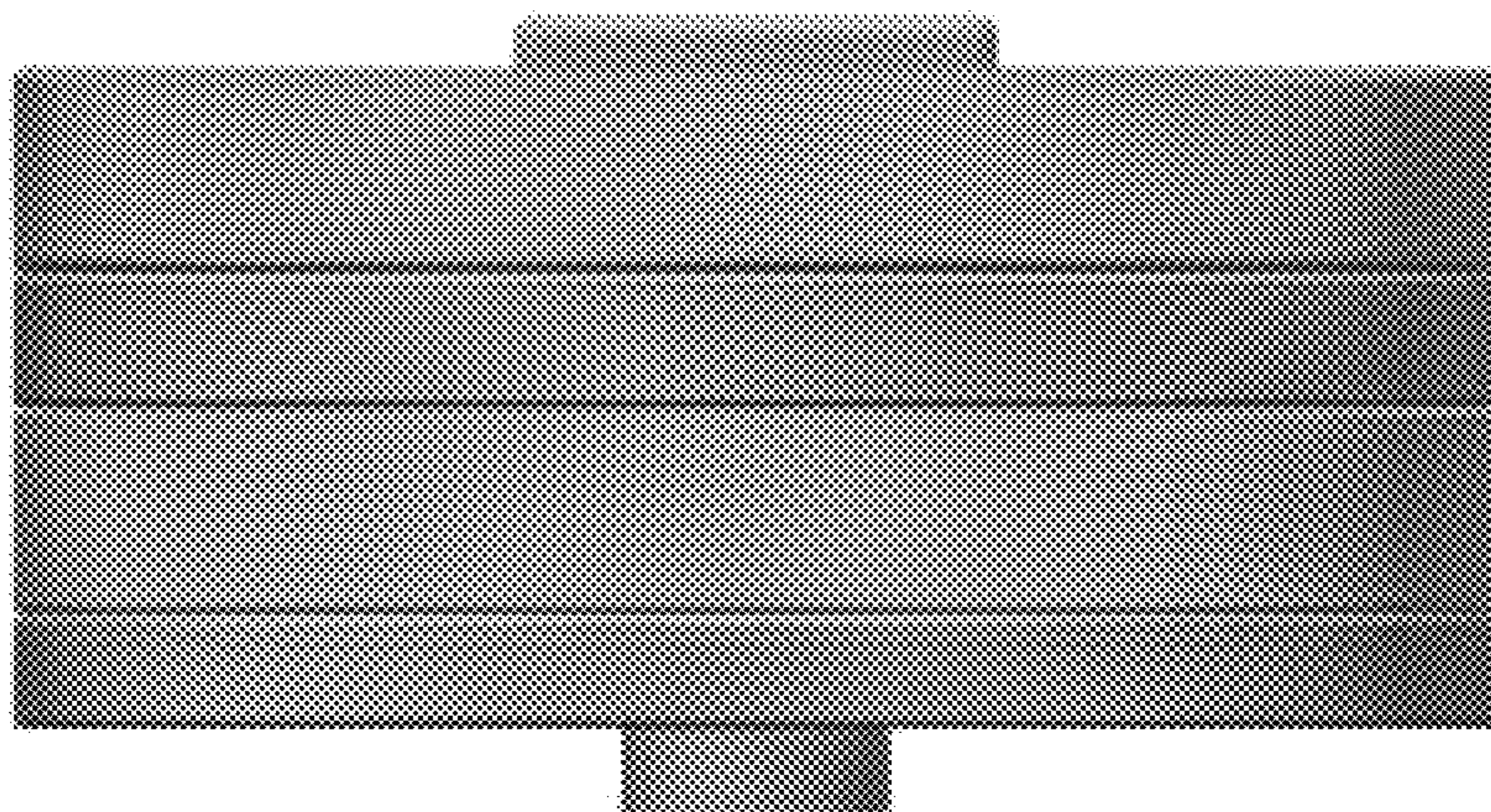


Fig. 4

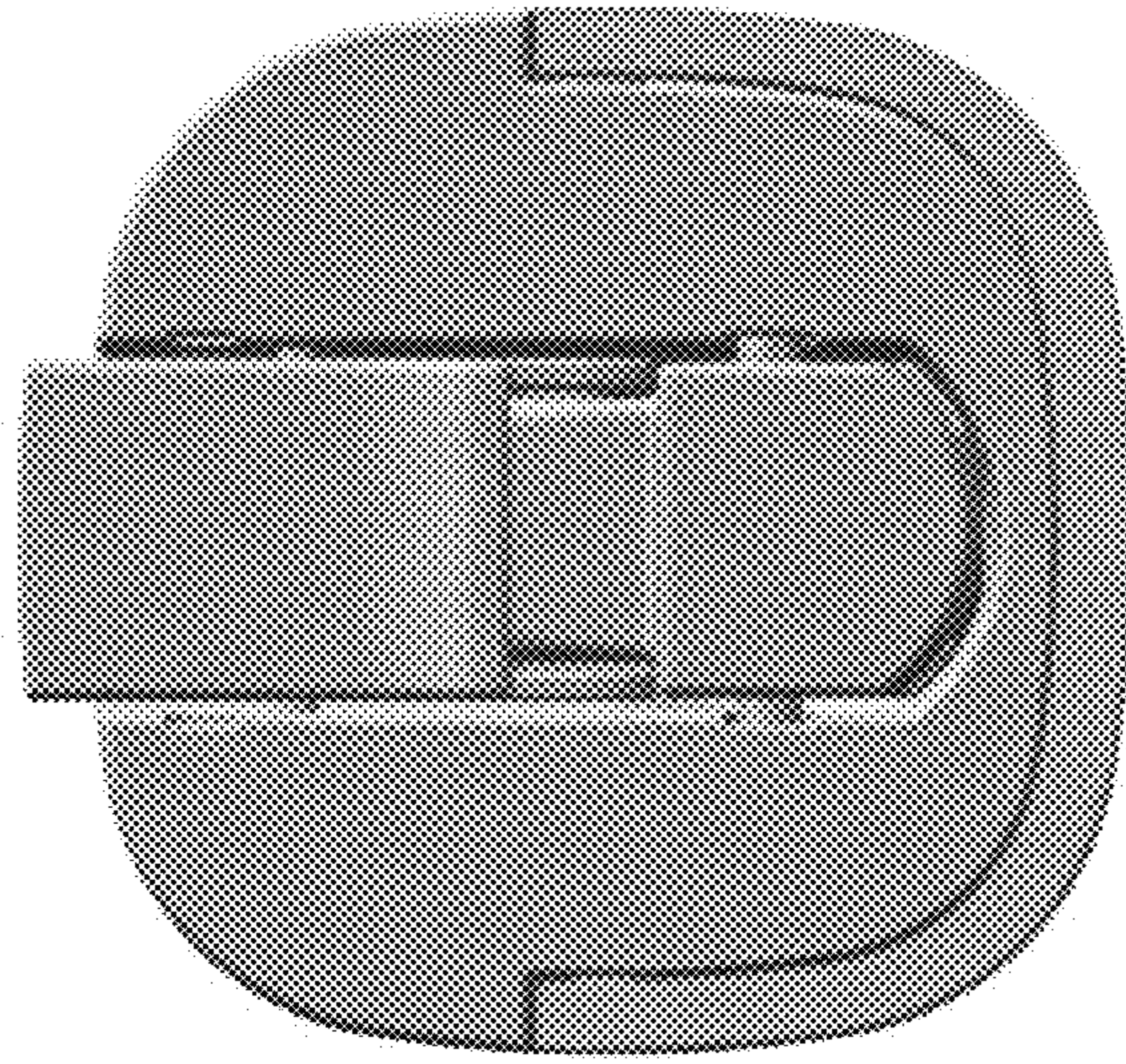


Fig. 5

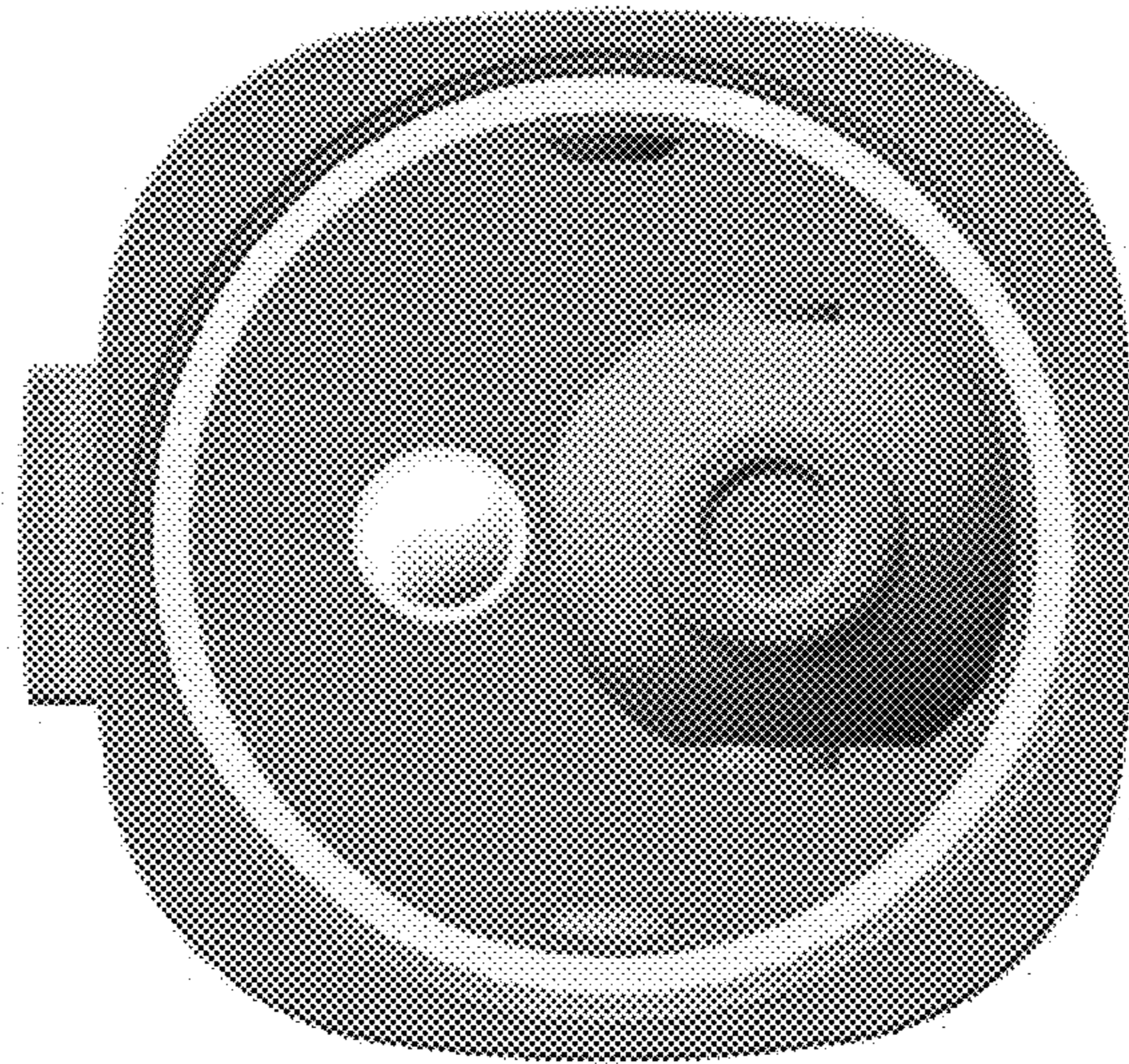


Fig. 6

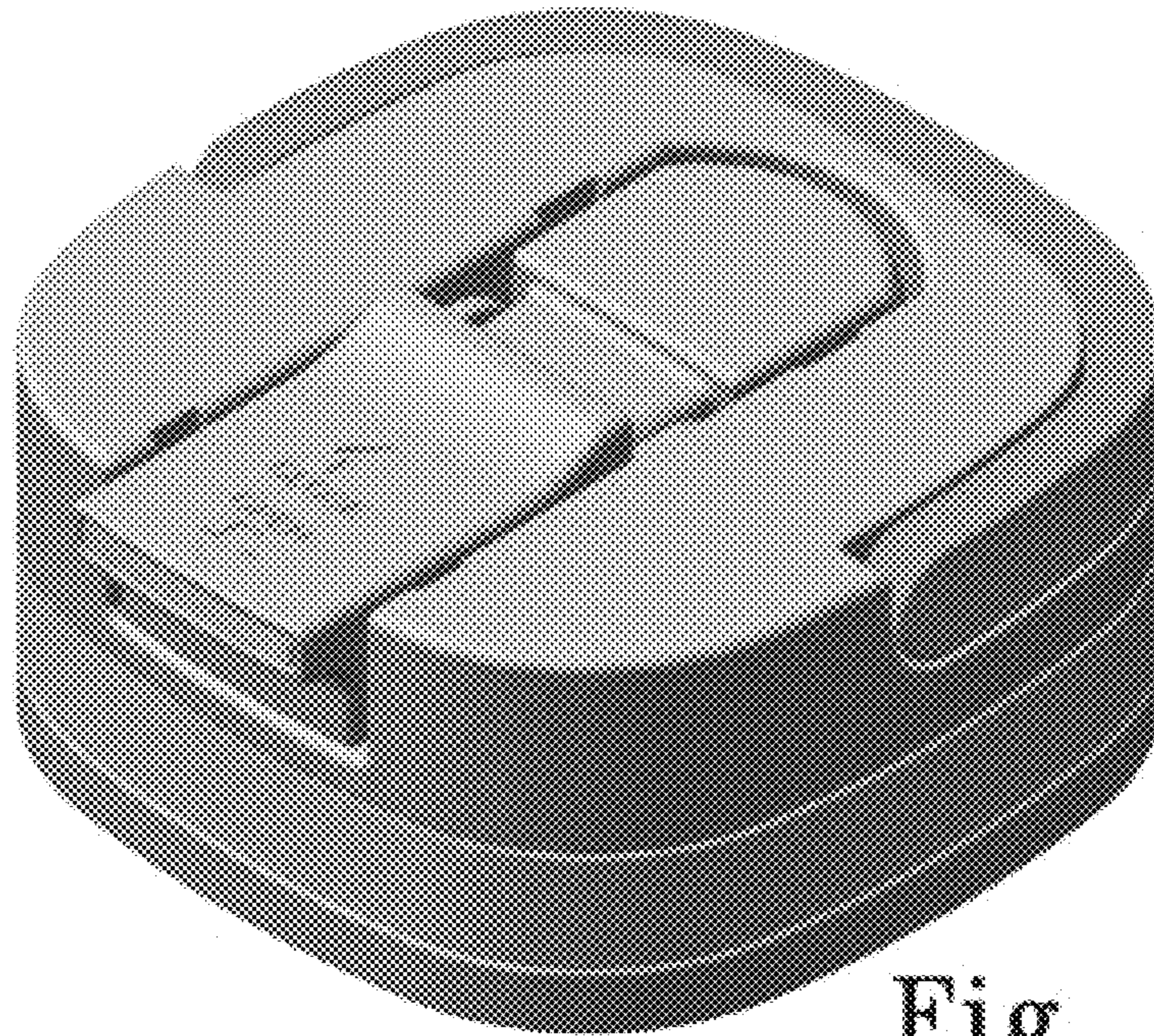


Fig. 7

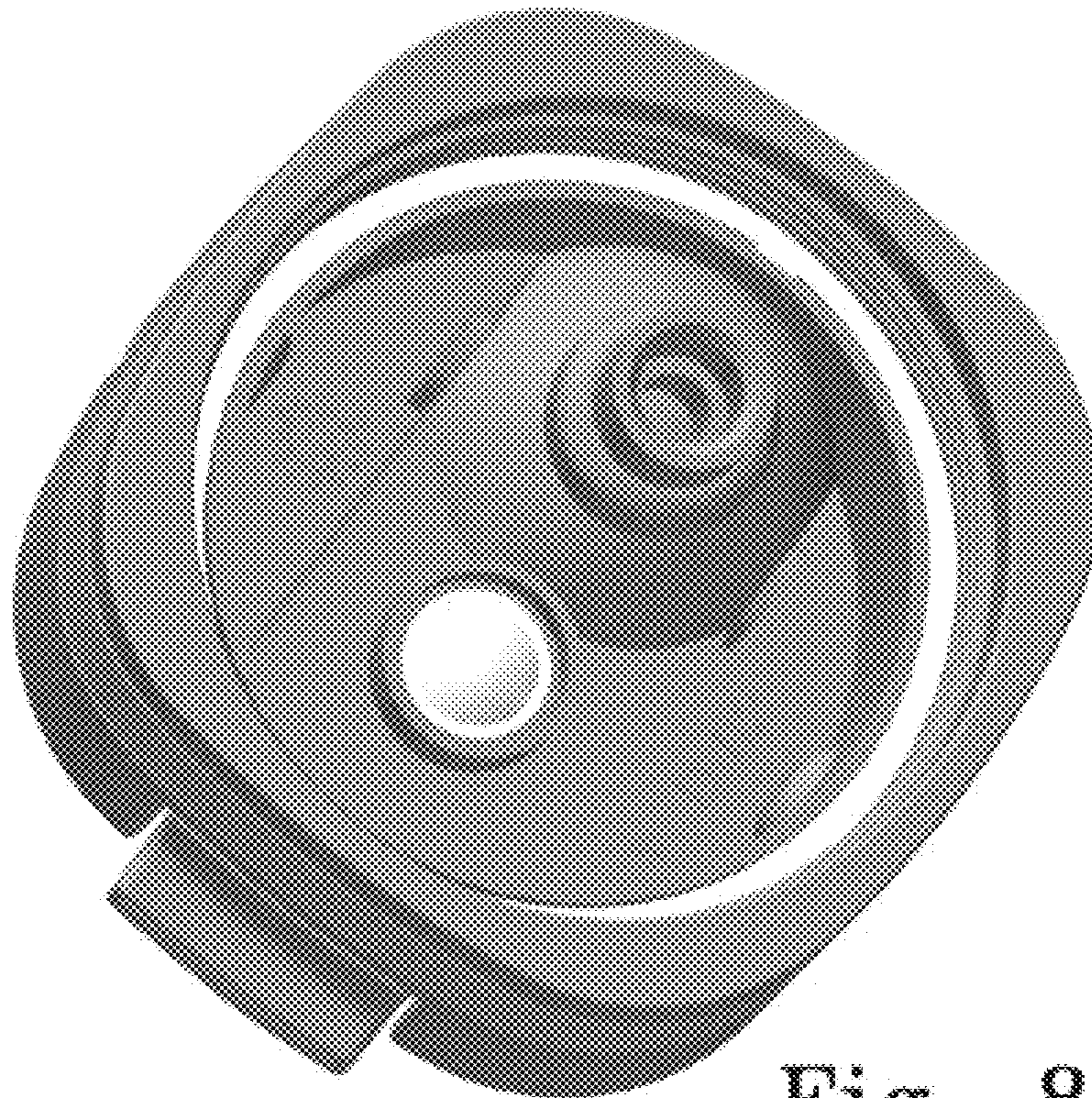


Fig. 8

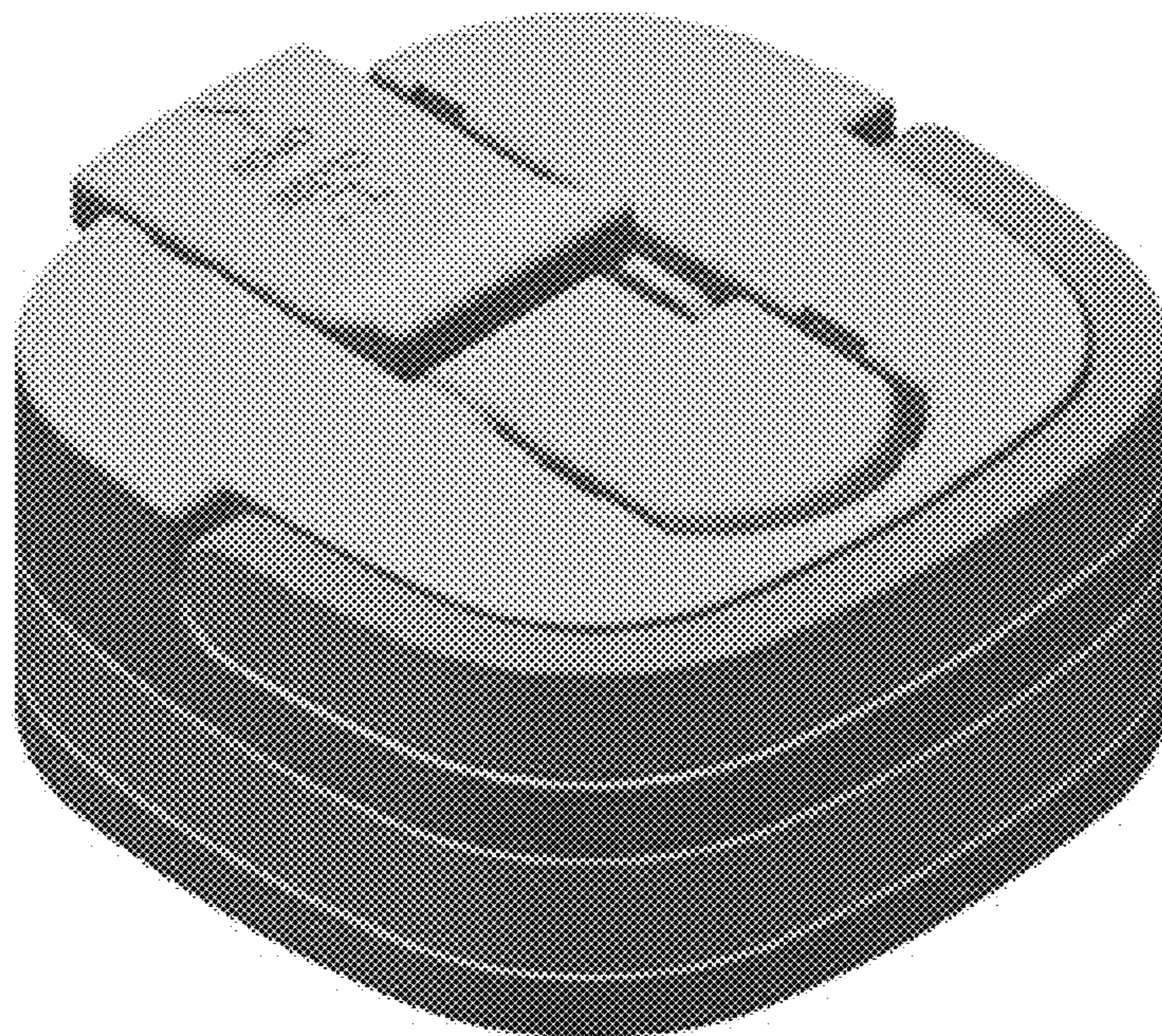


Fig. 9



Fig. 10

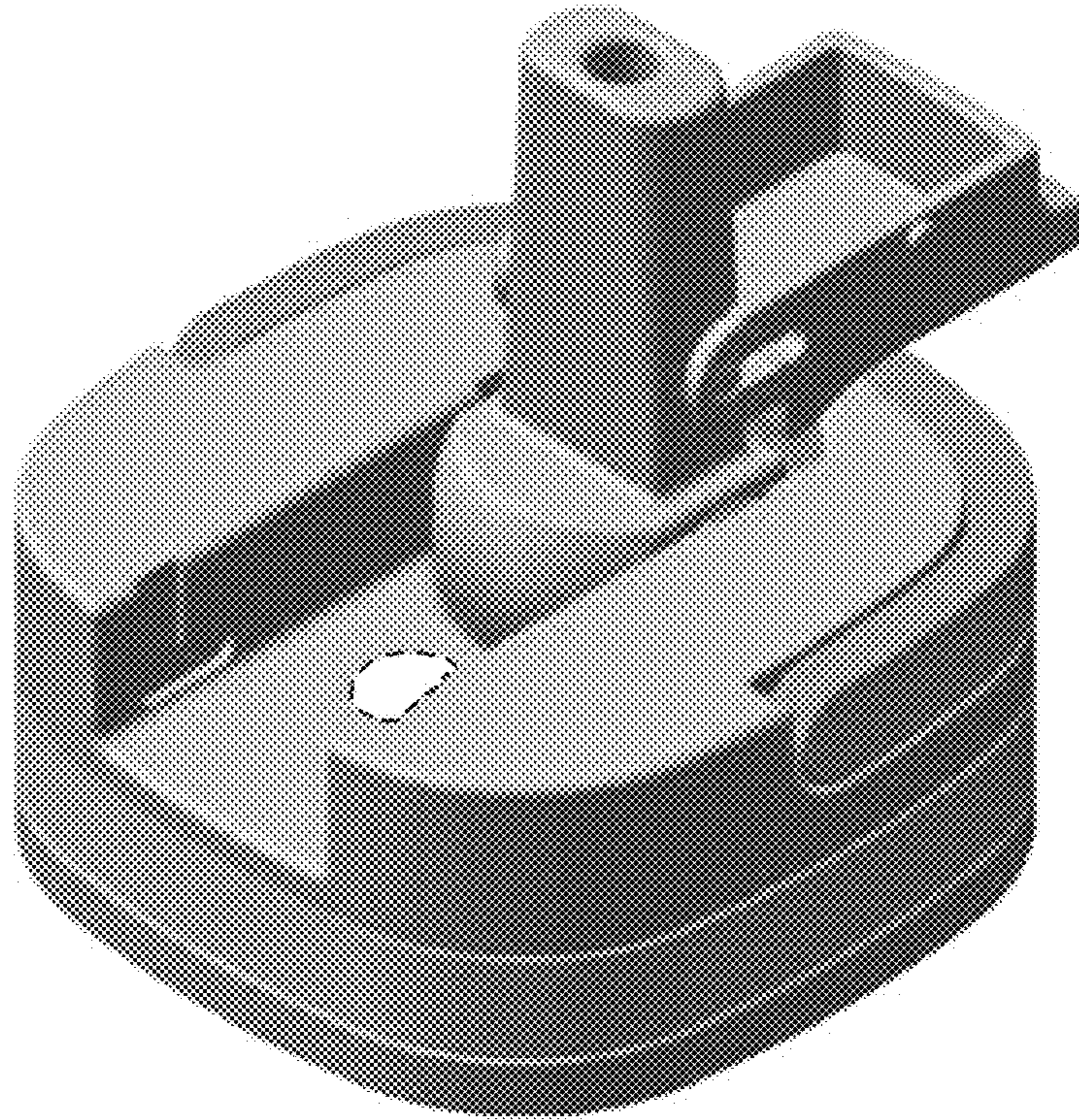


Fig. 11

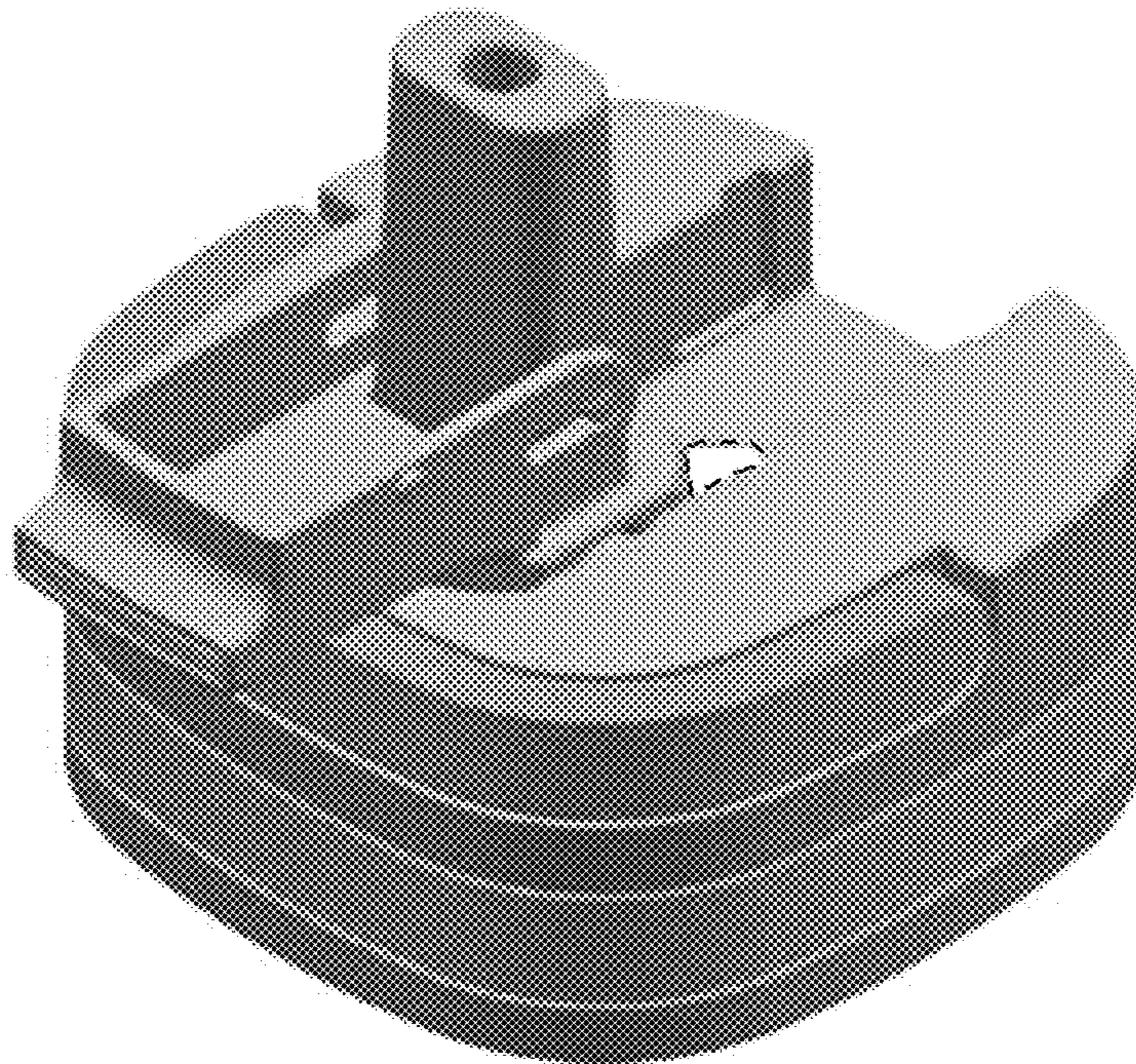


Fig. 12