



US00D807691S

(12) **United States Design Patent** (10) **Patent No.:** **US D807,691 S**  
**Connell et al.** (45) **Date of Patent:** **\*\* Jan. 16, 2018**

(54) **BLENDER**

13/1835; B28C 5/10; B28C 5/12; B28C 5/14; B28C 5/16

(71) Applicant: **F<sup>o</sup>Real Foods, LLC**, Emeryville, CA (US)

See application file for complete search history.

(72) Inventors: **Steven T. Connell**, Oakland, CA (US); **Daniel Kukulka**, San Francisco, CA (US); **Kathleen Ann Scheible**, San Francisco, CA (US); **Bradley Griffin Taylor**, San Francisco, CA (US); **Joseph M. Lehman**, New Albany, OH (US); **Ludwin Miguel Mora**, Columbus, OH (US)

(56) **References Cited**

U.S. PATENT DOCUMENTS

D290,332	S	*	6/1987	Foley	.....	D7/373
4,893,758	A	*	1/1990	Foley	.....	A47J 42/40 241/100
5,803,377	A		9/1998	Farrell		
5,962,060	A		10/1999	Farrell		
6,041,961	A		3/2000	Farrell		
6,326,047	B1		12/2001	Farrell		
6,465,034	B2		10/2002	Farrell		
6,474,862	B2		11/2002	Farrell		
6,527,207	B1		3/2003	Farrell et al.		
7,144,150	B2		12/2006	Farrell		
7,520,658	B2		4/2009	Farrell		
7,520,662	B2		4/2009	Farrell		
D649,393	S	*	11/2011	Cohlma	.....	D7/307
D658,423	S	*	5/2012	Curtis	.....	D7/306

(Continued)

(73) Assignee: **F<sup>o</sup>real Foods, LLC**, Emeryville, CA (US)

(\*\*) Term: **15 Years**

(21) Appl. No.: **29/581,389**

OTHER PUBLICATIONS

US 9,336,382, 07/2016, Farrell et al. (withdrawn)

(22) Filed: **Oct. 18, 2016**

(51) **LOC (11) Cl.** ..... **21-00**

*Primary Examiner* — Ricky Pham

(52) **U.S. Cl.**

(74) *Attorney, Agent, or Firm* — Sideman & Bancroft LLP; Guy W. Chambers

USPC ..... **D7/378**; D7/376

(58) **Field of Classification Search**

(57) **CLAIM**

The ornamental design for a blender, as shown and described.

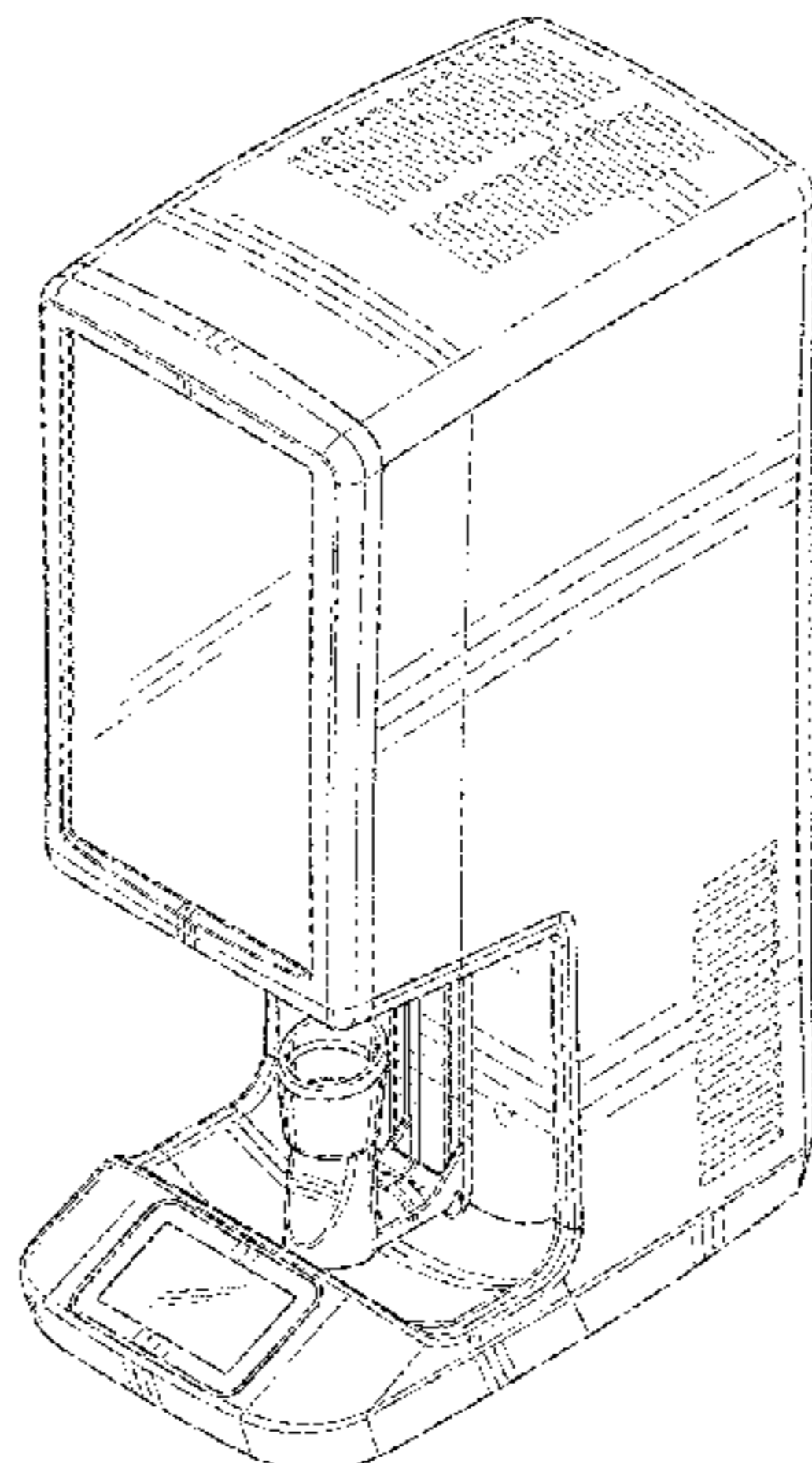
USPC ..... D7/306–309, 372–373, 376–386, 397, D7/412–413, 602, 629, 665–666, 669, D7/679, 693–694; D23/207

**DESCRIPTION**

CPC .. A21C 1/02; A21C 1/04; A23G 9/045; A23N 1/00; A23N 1/02; A47J 42/40; A47J 43/04; A47J 43/25; A47J 43/27; A47J 43/042; A47J 43/044; A47J 43/046; A47J 43/075; A47J 43/0722; A47J 43/0727; B01F 3/00; B01F 3/0807; B01F 3/0853; B01F 13/0059; B01F 13/0064; B02C 1/08; B02C 2/04; B02C 4/42; B02C 4/142; B02C 4/143; B02C 4/423; B02C

FIG. 1 is a perspective view of an embodiment of a blender showing our new design;  
FIG. 2 is a front elevation view thereof;  
FIG. 3 is a rear elevation view thereof;  
FIG. 4 is a right side elevation view thereof;  
FIG. 5 is a left side elevation view thereof;  
FIG. 6 is a top plan view thereof; and,  
FIG. 7 is a bottom plan view thereof.

(Continued)



The broken lines are for environmental purposes only and form no part of the claimed design.

**1 Claim, 7 Drawing Sheets**

(56)

**References Cited**

U.S. PATENT DOCUMENTS

D669,154	S *	10/2012	Choi	.....	D23/207
8,336,731	B2	12/2012	Farrell et al.		
D692,713	S *	11/2013	Diehl	.....	D7/306
D703,476	S *	4/2014	Behar	.....	D7/306
8,763,515	B2	7/2014	Farrell et al.		
8,902,626	B2	12/2014	Farrell et al.		
D732,330	S *	6/2015	Cha	.....	D7/306
D749,892	S *	2/2016	Zanetti	.....	D7/372
9,420,917	B2	8/2016	Farrell et al.		
D774,820	S *	12/2016	Yang	.....	D7/306
D775,887	S *	1/2017	Atkin	.....	D7/306
D792,739	S *	7/2017	Palermo	.....	D7/306
2011/0088568	A1	4/2011	Farrell et al.		
2011/0090756	A1*	4/2011	Farrell	.....	A23G 9/045 366/138
2013/0344220	A1	12/2013	Farrell et al.		
2013/0344221	A1	12/2013	Farrell et al.		
2015/0190014	A1	7/2015	Farrell et al.		
2016/0220069	A1	8/2016	Gardner et al.		

\* cited by examiner

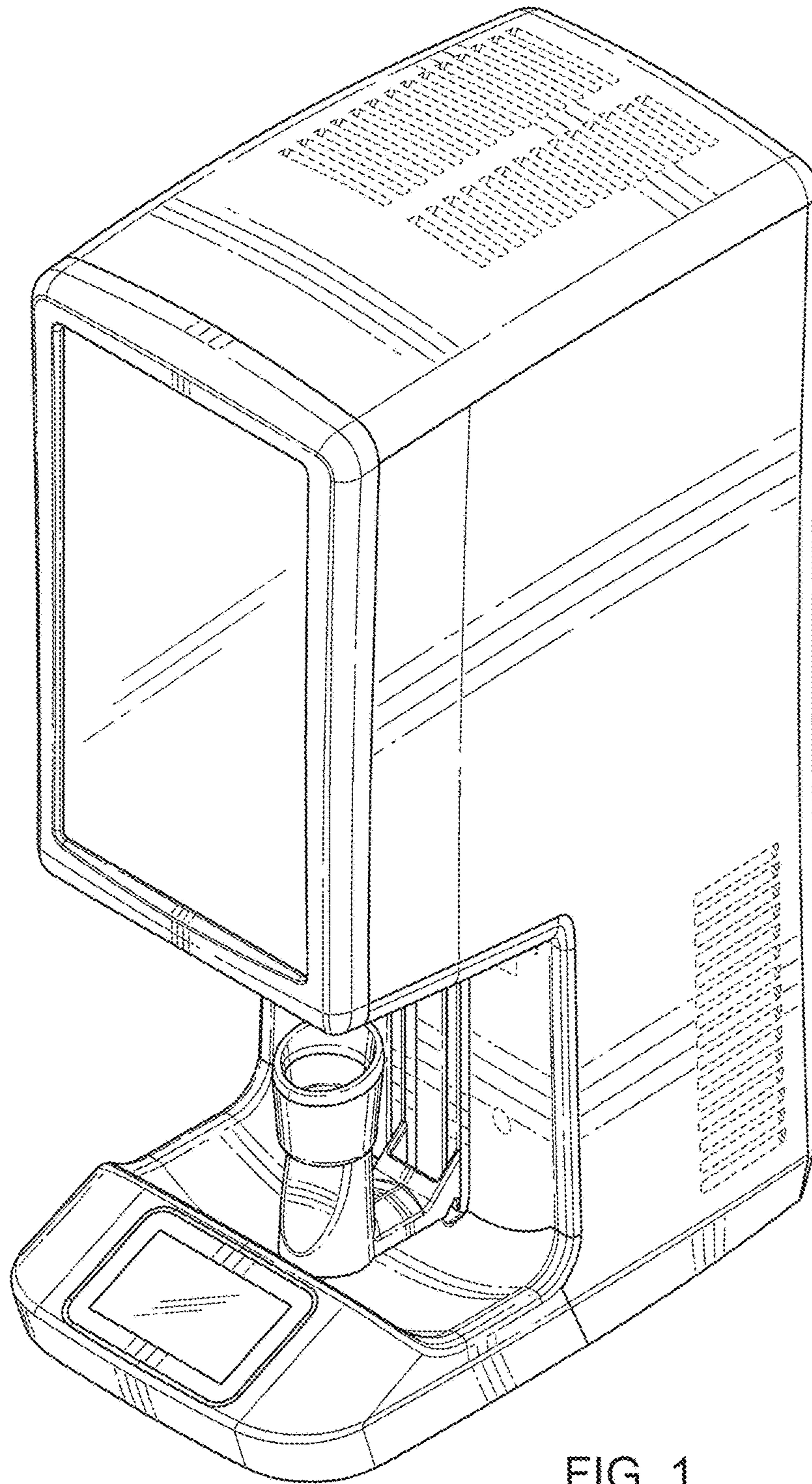


FIG. 1

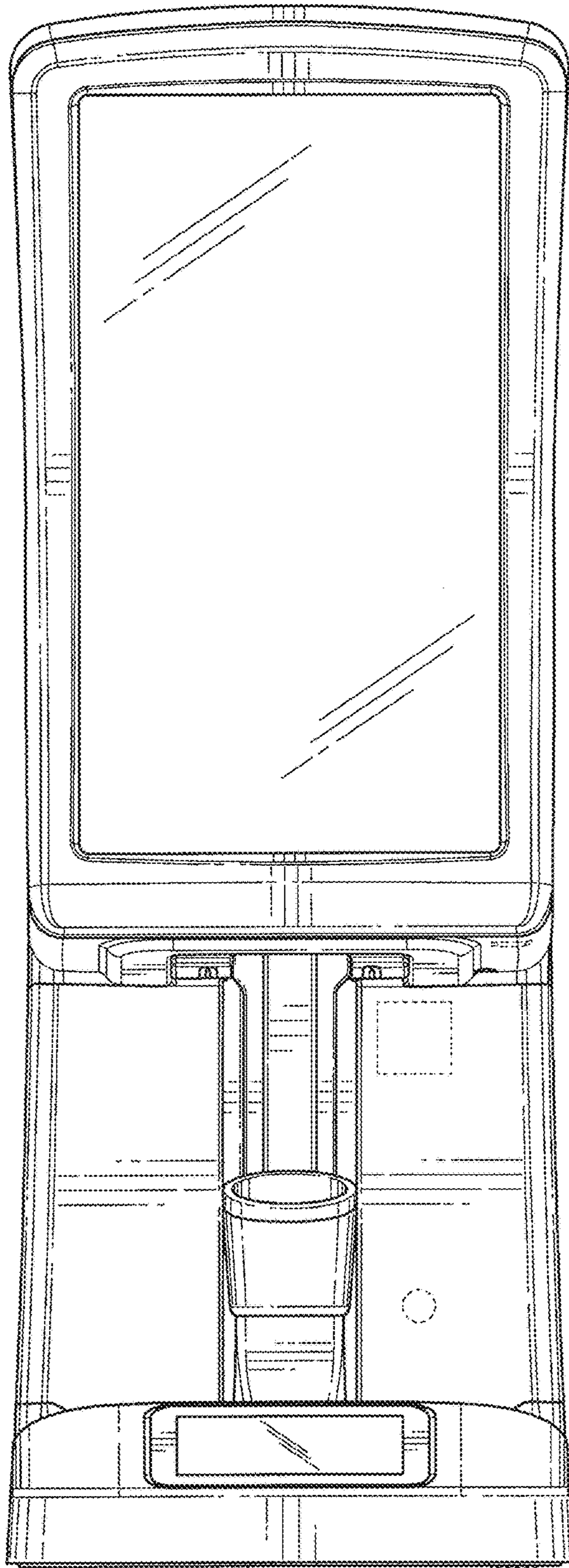


FIG. 2

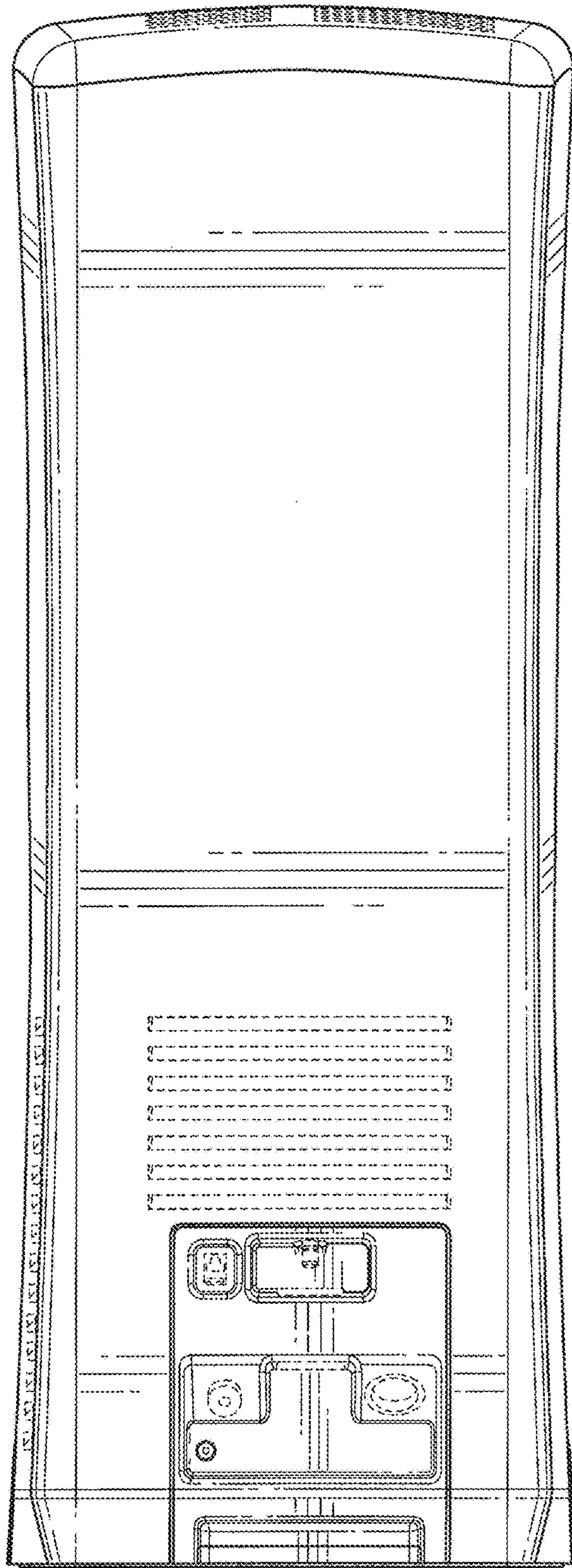


FIG. 3

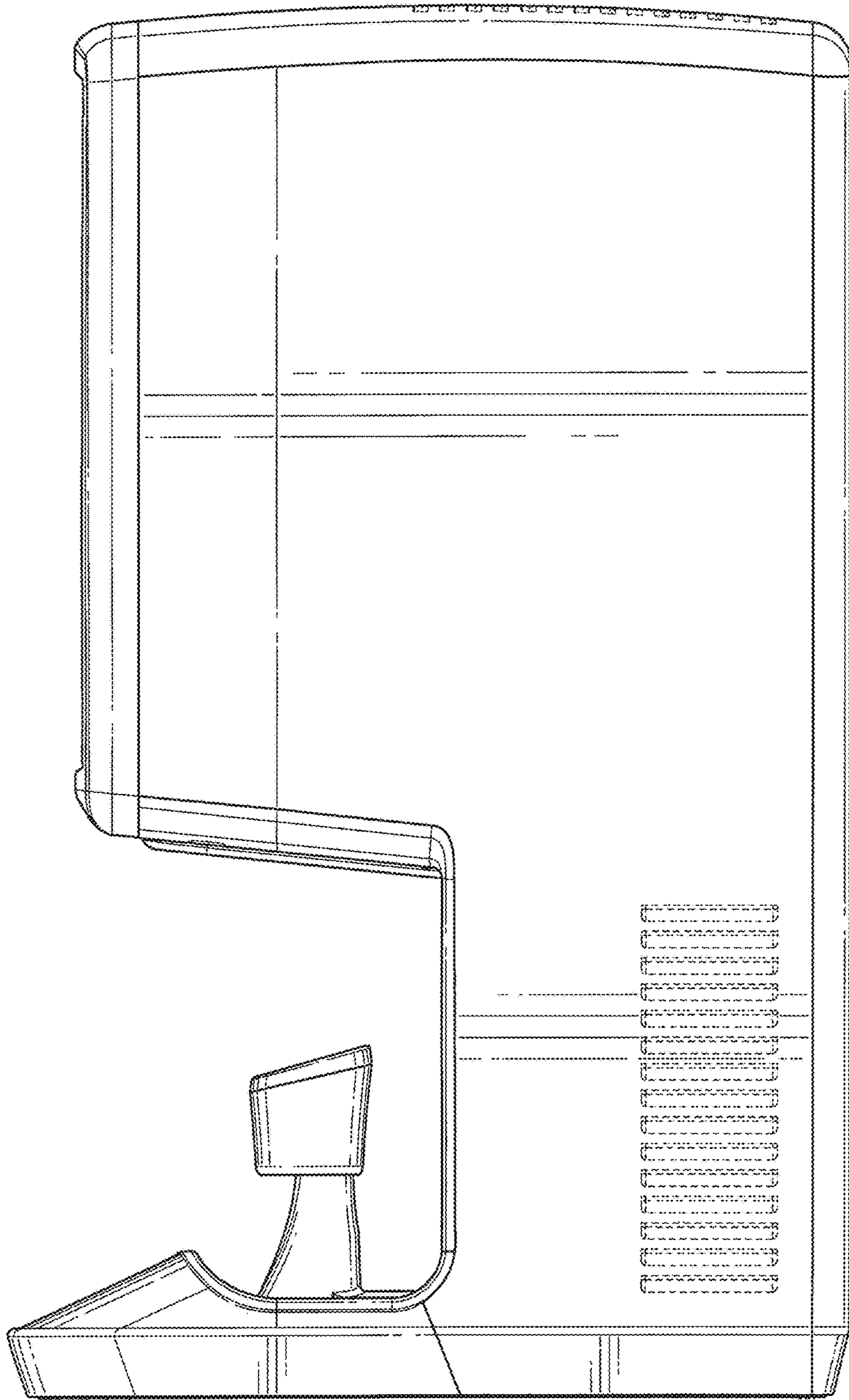


FIG. 4

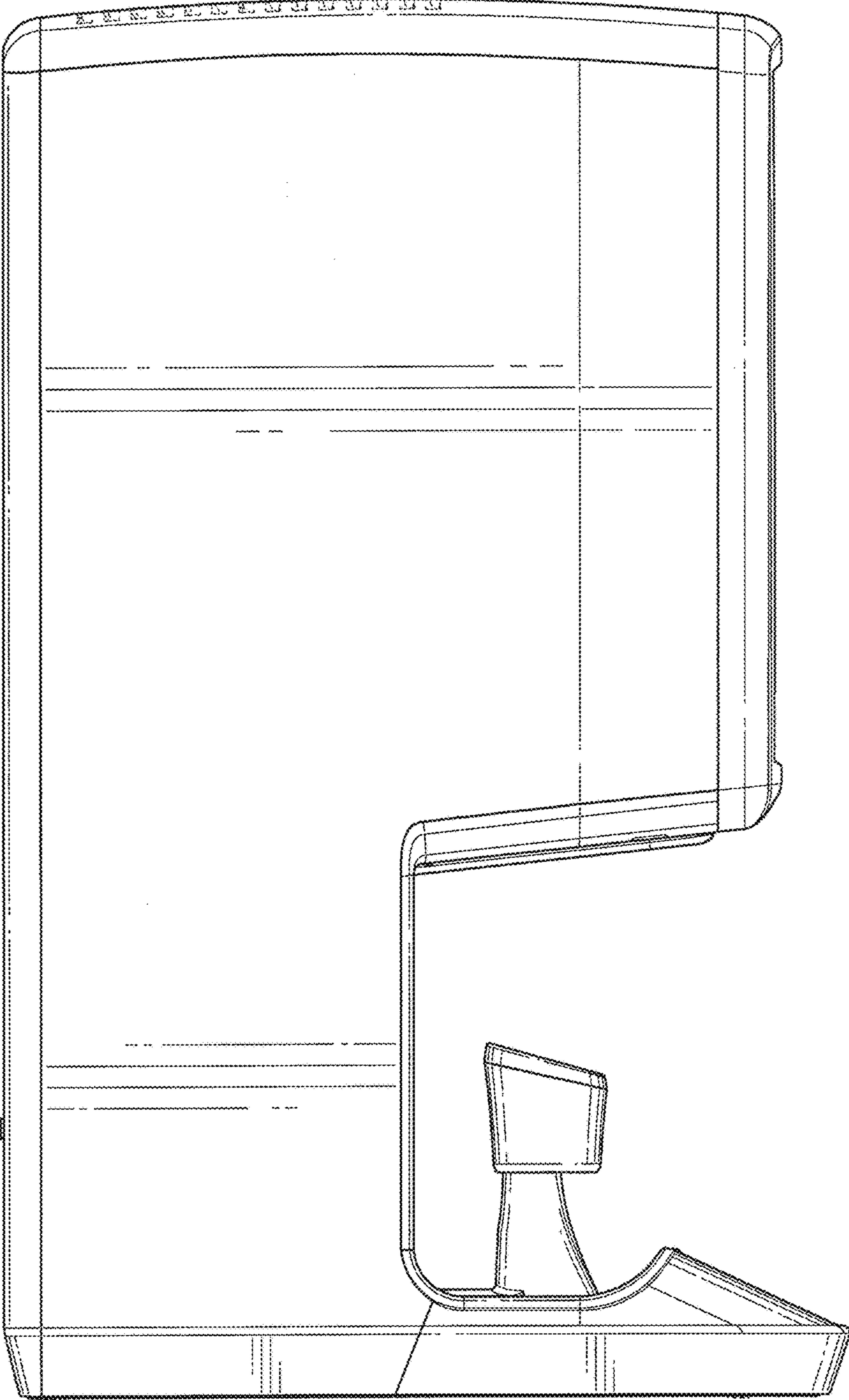


FIG. 5

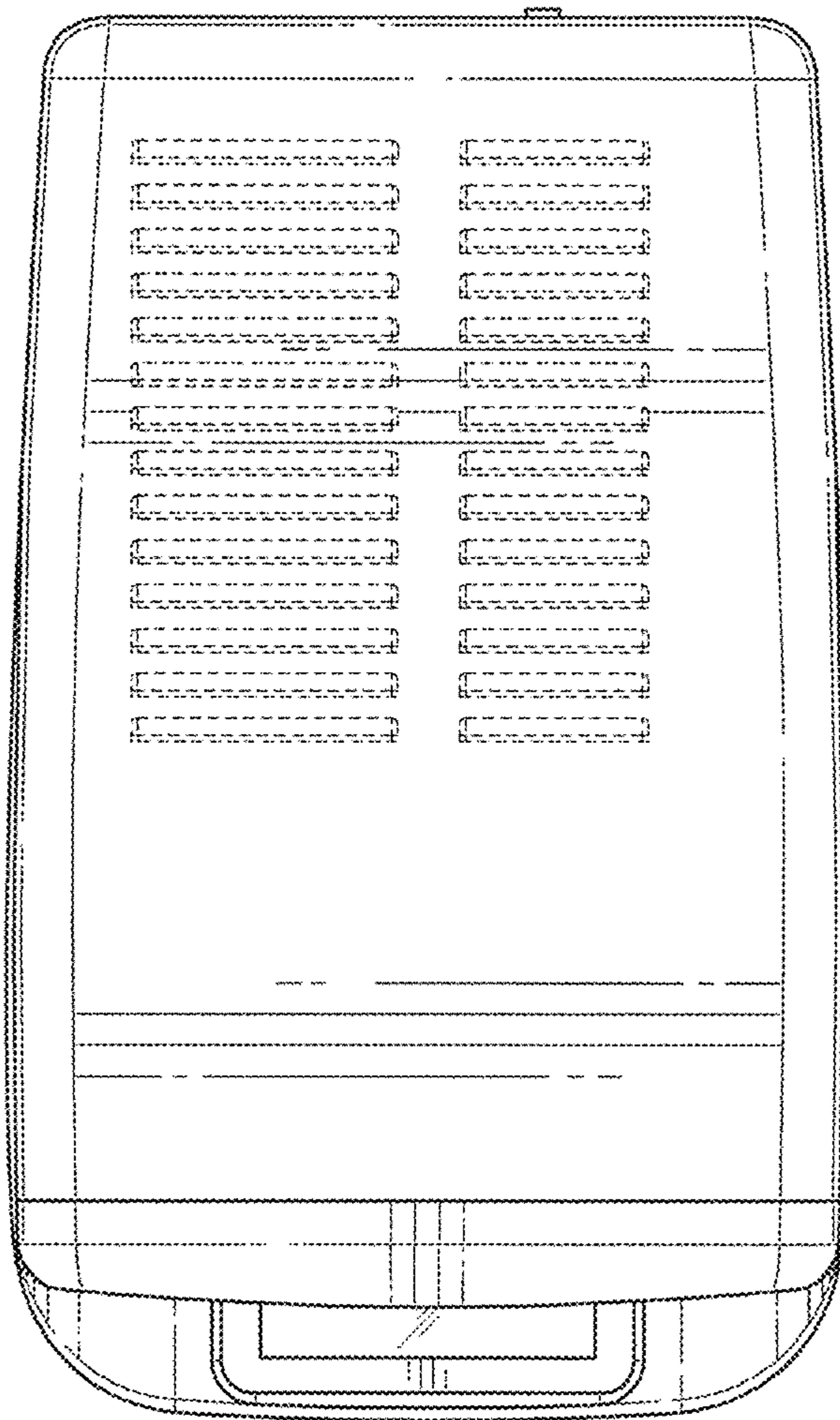


FIG. 6



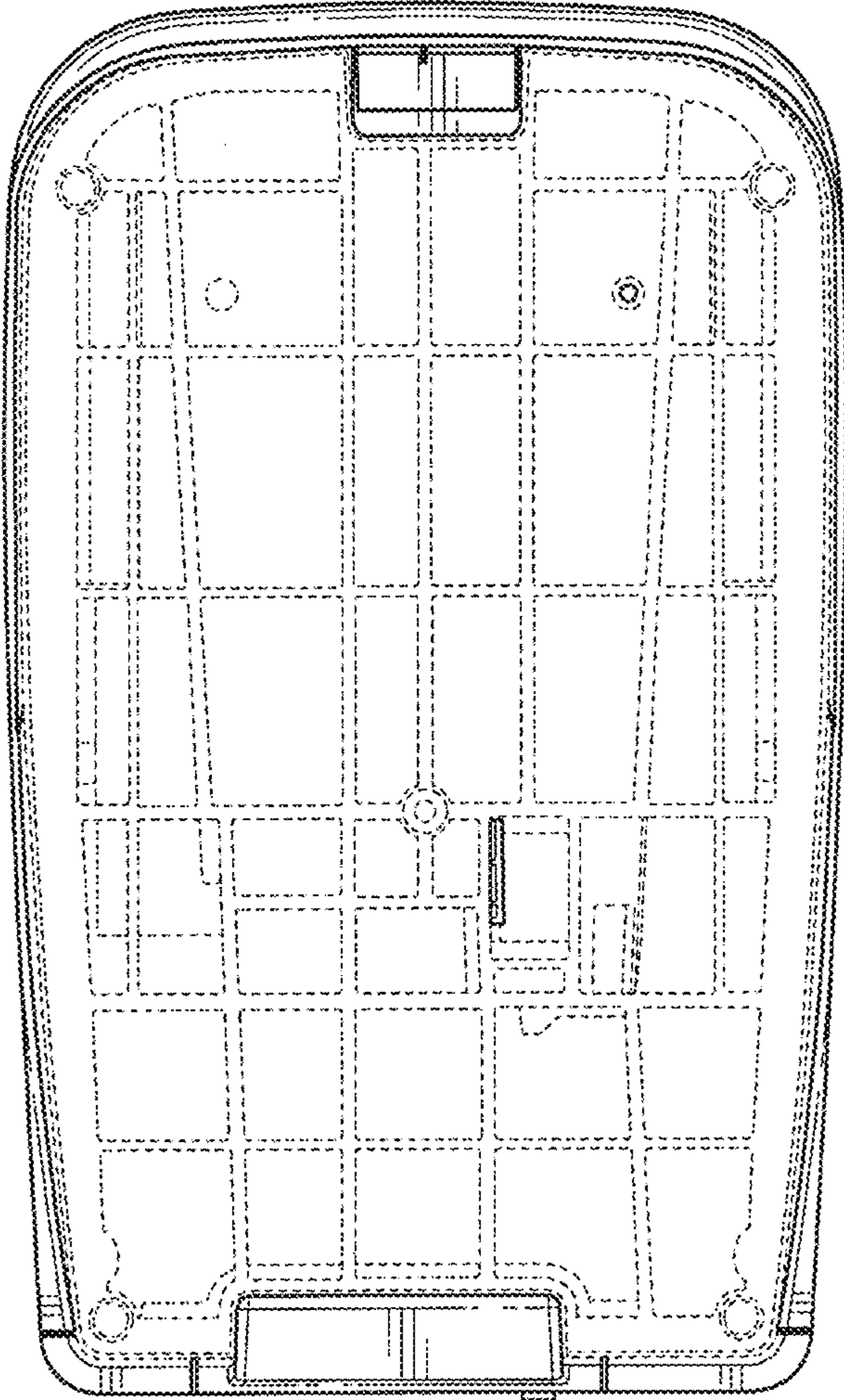


FIG. 7