



US00D807687S

(12) **United States Design Patent** (10) **Patent No.:** **US D807,687 S**  
**Lee** (45) **Date of Patent:** **\*\* Jan. 16, 2018**

(54) **COOKING PAN FOR USE IN HEATING COOKERS**

(71) Applicant: **Jin Hee Lee**, Seoul (KR)

(72) Inventor: **Jin Hee Lee**, Seoul (KR)

(\*\*) Term: **15 Years**

(21) Appl. No.: **29/586,860**

(22) Filed: **Dec. 7, 2016**

(30) **Foreign Application Priority Data**

Jul. 4, 2016 (KR) ..... 30-2016-0032449

(51) **LOC (11) Cl.** ..... **07-02**

(52) **U.S. Cl.**  
USPC ..... **D7/359**

(58) **Field of Classification Search**  
USPC ..... D7/323, 337, 339-341, 352, 354-360,  
D7/362-367, 393, 402-403, 407-411,  
D7/601, 605  
CPC ..... A21B 1/06; A21B 1/50; A21B 1/52; A47J  
37/04; A47J 37/06; A47J 37/015; A47J  
37/067; A47J 37/0611; A47J 37/0629;  
A47J 37/0676; A47J 37/108; F24C 7/06;  
F24C 7/083; F24C 15/02; F24C 15/66;  
H05B 3/20; H05B 3/40

See application file for complete search history.

(56) **References Cited**

**U.S. PATENT DOCUMENTS**

3,278,074 A \* 10/1966 Yamazaki ..... A47J 27/13  
220/212.5  
4,563,946 A \* 1/1986 Barlow ..... A21B 3/139  
428/131  
D309,397 S \* 7/1990 Strand ..... D7/354  
D357,385 S \* 4/1995 Addison ..... D7/407  
D465,131 S \* 11/2002 Alden ..... A47J 37/0786  
D7/409

D574,661 S \* 8/2008 Logan ..... D7/354  
D689,731 S \* 9/2013 Dorion ..... D7/354  
D695,059 S \* 12/2013 Mehler ..... D7/354  
D699,514 S \* 2/2014 Lovley, II ..... D7/359  
D722,814 S \* 2/2015 Heiberg ..... D7/354  
D738,674 S \* 9/2015 Accoceberry ..... D7/354  
D768,430 S \* 10/2016 Lee ..... D7/352  
D768,431 S \* 10/2016 Lee ..... D7/352  
D769,059 S \* 10/2016 Lee ..... D7/352  
D770,221 S \* 11/2016 Lee ..... D7/352  
D778,104 S \* 2/2017 Conlee ..... D7/360  
2015/0313408 A1 \* 11/2015 Stone ..... A47J 37/067  
99/422

**OTHER PUBLICATIONS**

What is an Infrared Cooker?, posted at Smartkitchenpicks.com, posted on © 2017, site visited Oct. 12, 2017, <<http://smartkitchenpicks.com/what-is-an-infrared-cooker>>.\*

(Continued)

*Primary Examiner* — Barbara Fox  
*Assistant Examiner* — Messina L Smith  
(74) *Attorney, Agent, or Firm* — Kile Park Reed & Houtteman PLLC

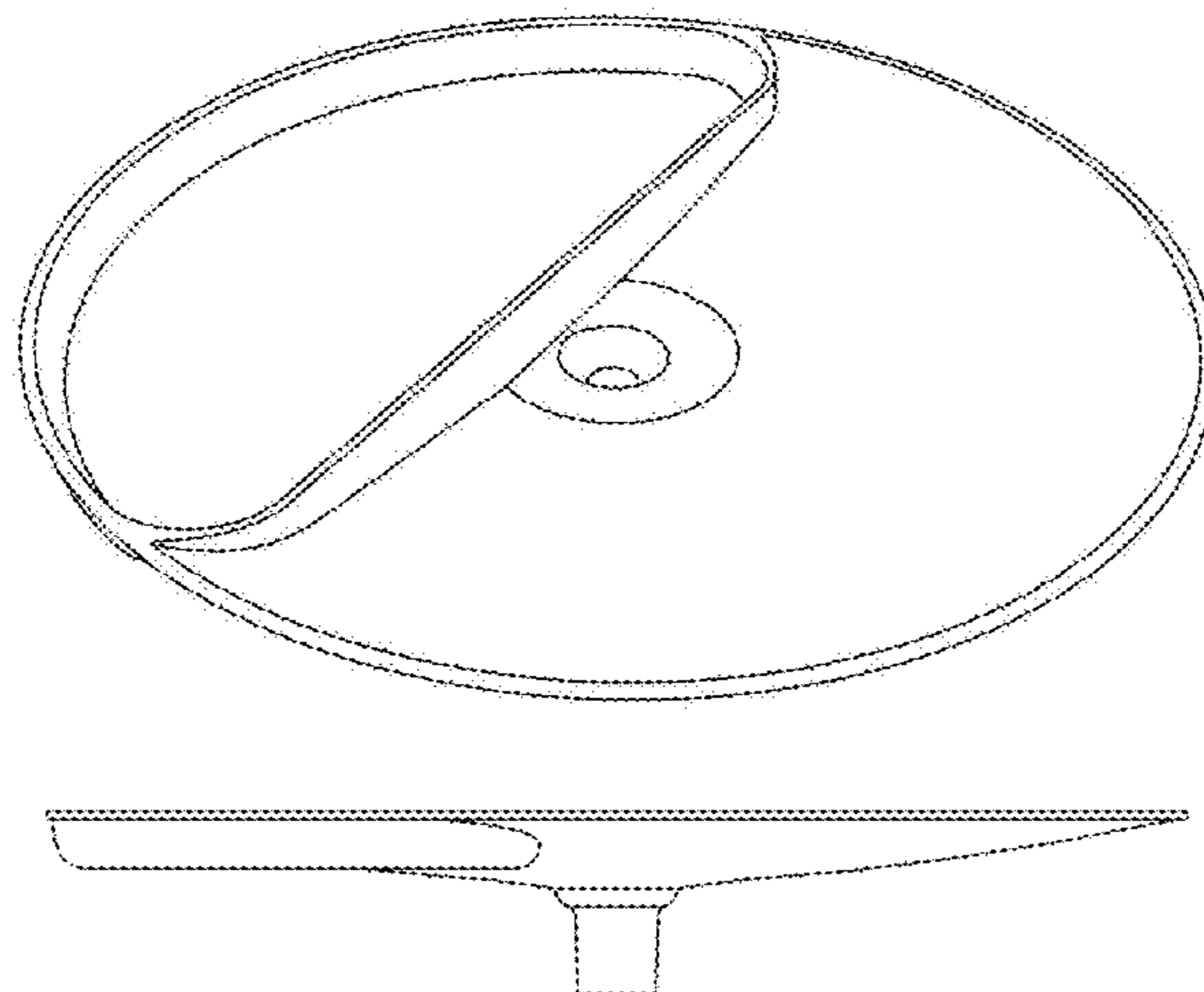
(57) **CLAIM**

I claim, the ornamental design for a cooking pan for use in heating cookers, as shown and described.

**DESCRIPTION**

FIG. 1 is a top and front perspective view of a cooking pan for use in heating cookers, showing my new design;  
FIG. 2 is a front view thereof;  
FIG. 3 is a rear view thereof;  
FIG. 4 is a left side view thereof;  
FIG. 5 is a right side view thereof;  
FIG. 6 is a top view thereof; and,  
FIG. 7 is a bottom view thereof.

**1 Claim, 5 Drawing Sheets**



(56)

**References Cited**

OTHER PUBLICATIONS

Infrared Cooking BBQs, posted at Trendhunter.com, posted on Apr. 20, 2016, site visited Oct. 12, 2017, <<http://www.trendhunter.com/trends/smokeless-grill>>.\*

3D smokeless electric grill infrared heat grill, posted at Amazon.com, posted on May 1, 2016, site visited Oct. 12, 2017, <<https://www.amazon.com/smokeless-electric-infrared-Non-stick-LY-005/dp/B01F0X7DKG>>.\*

Gourmia GHG1600 Digital Halogen Powered Rotating Grill, posted at Amazon.com, posted on Oct. 30, 2016, site visited Oct. 12, 2017, <[https://www.amazon.com/Gourmia-GHG1600-Rotating-Temperature-Functional/dp/B01MD0DFPP/ref=pd\\_sbs\\_79\\_t\\_0/156-6430571-2509523?\\_encoding=UTF8&psc=1&refRID=W7RWPKRC9AY6N3Q8K0T1](https://www.amazon.com/Gourmia-GHG1600-Rotating-Temperature-Functional/dp/B01MD0DFPP/ref=pd_sbs_79_t_0/156-6430571-2509523?_encoding=UTF8&psc=1&refRID=W7RWPKRC9AY6N3Q8K0T1)>.\*

\* cited by examiner

FIG. 1

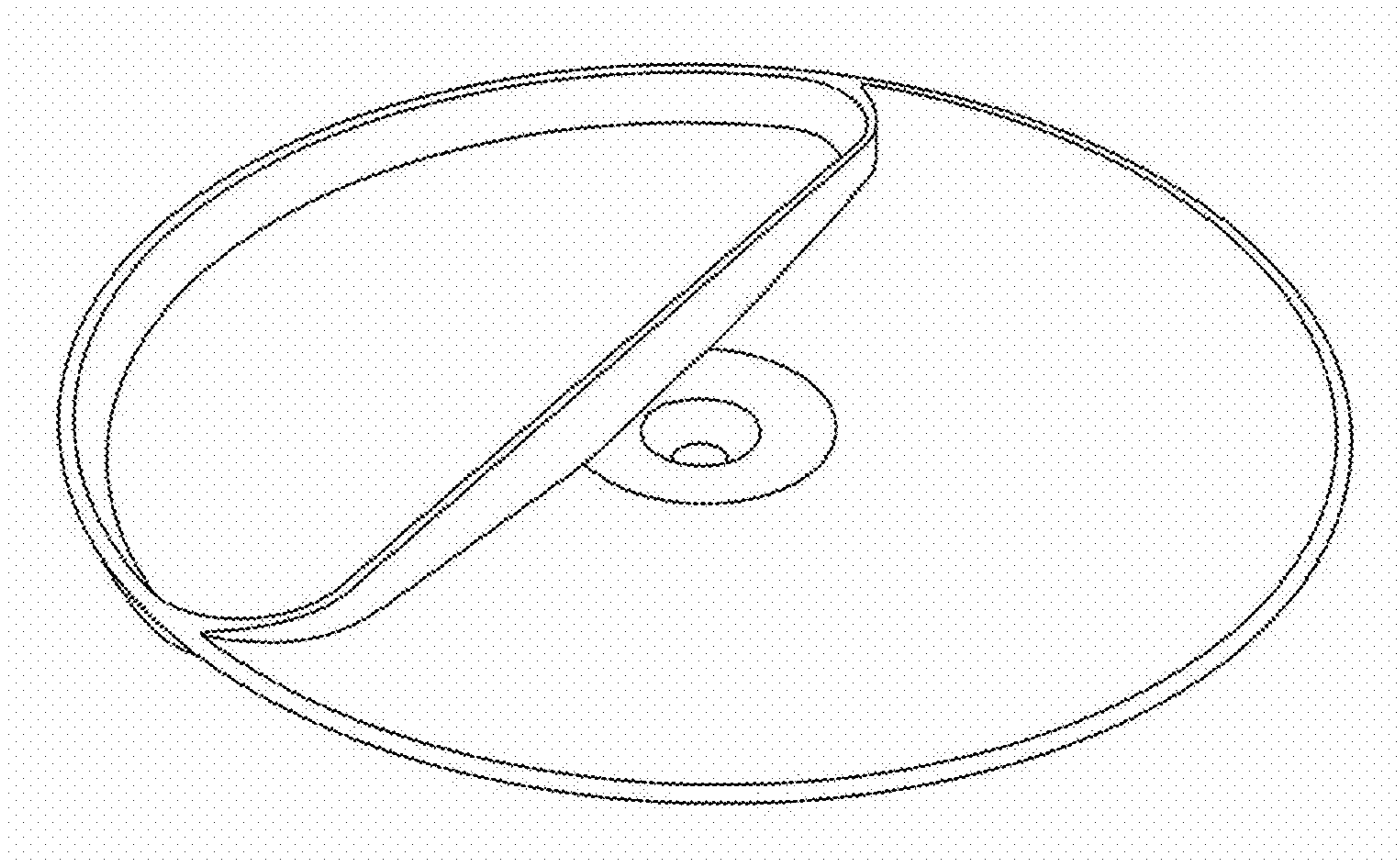


FIG. 2

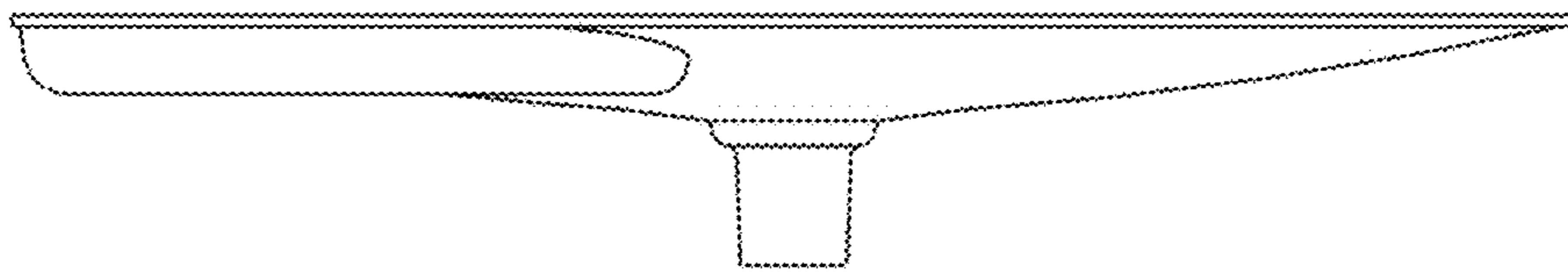


FIG. 3

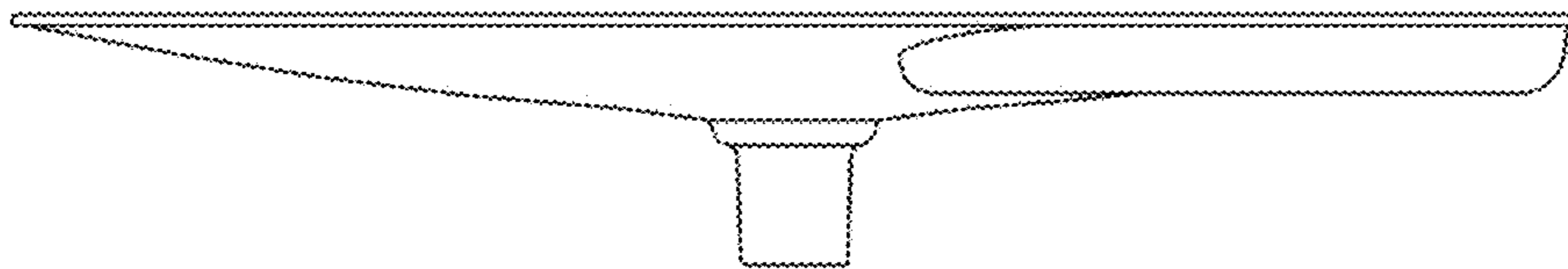


FIG. 4

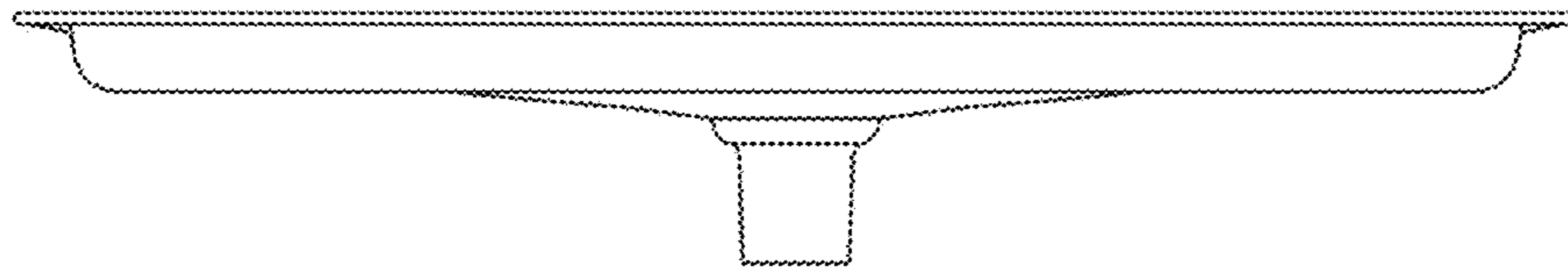


FIG. 5

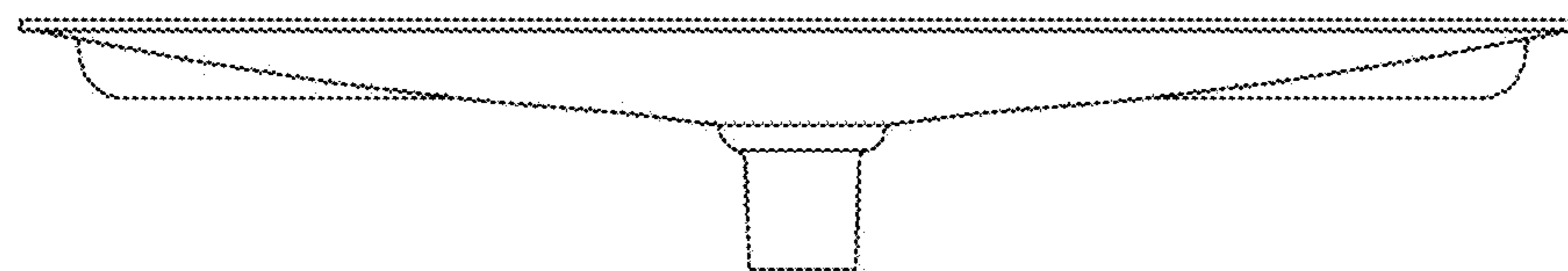


FIG. 6

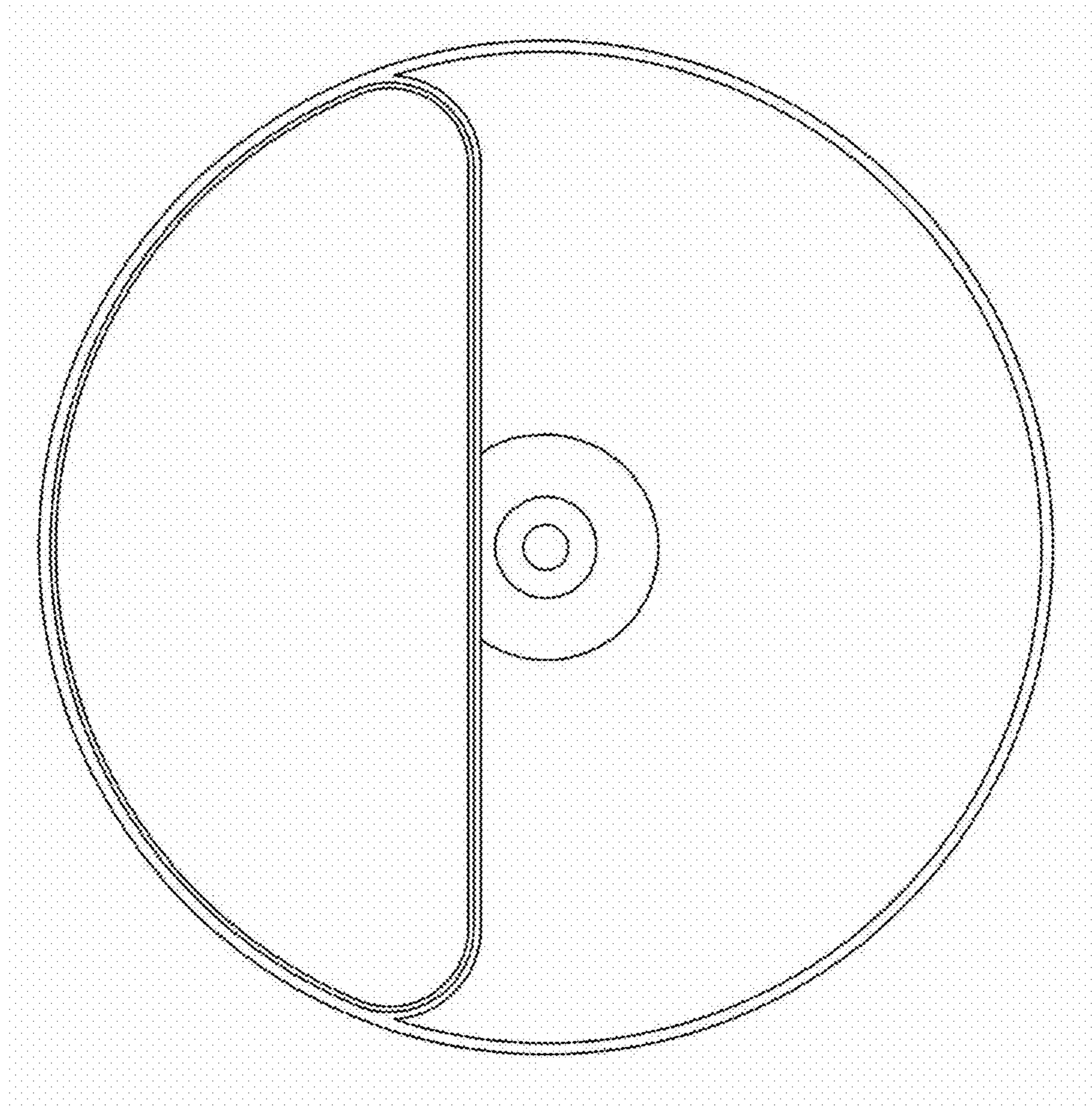


FIG. 7

