



US00D807683S

(12) **United States Design Patent**
Lee

(10) **Patent No.:** **US D807,683 S**
(45) **Date of Patent:** **** Jan. 16, 2018**

(54) **COOKING PAN**

(71) Applicant: **Jin Hee Lee**, Seoul (KR)

(72) Inventor: **Jin Hee Lee**, Seoul (KR)

(**) Term: **15 Years**

(21) Appl. No.: **29/564,932**

(22) Filed: **May 17, 2016**

(30) **Foreign Application Priority Data**

Nov. 19, 2015 (KR) 30-2015-0058264

(51) **LOC (11) Cl.** **07-02**

(52) **U.S. Cl.**
USPC **D7/359**

(58) **Field of Classification Search**

USPC D3/201, 202, 203.1, 270, 271, 271.1,
D3/304, 315, 319; D7/323, 331, 353,
D7/354, 356, 357, 359, 390, 402, 409,
D7/550.1, 552.1, 553.1, 553.2, 553.7,
D7/554.1, 554.3, 554.4, 601; D6/553,
D6/567, 570, 571, 675, 677, 681, 683.1;
D9/414, 428, 430, 432, 436, 755, 759;
D12/163, 197, 415, 425; D21/524, 525,
D21/532; D23/260, 261, 268, 397;
D26/28; D28/61; D30/129, 130, 132,
D30/133

CPC A47G 19/12; A47J 27/00; A47J 27/004;
A47J 27/08; A47J 27/21; A47J 27/58;
A47J 35/025; A47J 45/061; A47J 45/065;
A47J 45/071; A47J 45/08; A45J 37/00;
A45J 37/10; A45J 37/101; A45J 37/103;
A45J 37/1204; A45J 37/0704; H05B
6/06; H05B 6/12; A01K 41/02; A01K
41/026; A01K 41/04; B65D 11/02

See application file for complete search history.

(56) **References Cited**

U.S. PATENT DOCUMENTS

D197,663 S * 3/1964 O'Reilly D7/359
D297,604 S * 9/1988 Hagberg D7/359

D380,645 S * 7/1997 Perlini D7/359
D427,842 S * 7/2000 Iacchetti D7/359
6,298,775 B1 * 10/2001 Chen A47J 45/061
16/111.1
D470,711 S * 2/2003 Kloppsteck D7/359
D511,929 S * 11/2005 Coppi D7/359
D525,078 S * 7/2006 Hoenstein D7/359

(Continued)

FOREIGN PATENT DOCUMENTS

CA 146797 * 8/2014

Primary Examiner — Thomas Johannes

Assistant Examiner — Catherine S Posthauer

(74) *Attorney, Agent, or Firm* — Kile Park Reed & Houtteman PLLC

(57) **CLAIM**

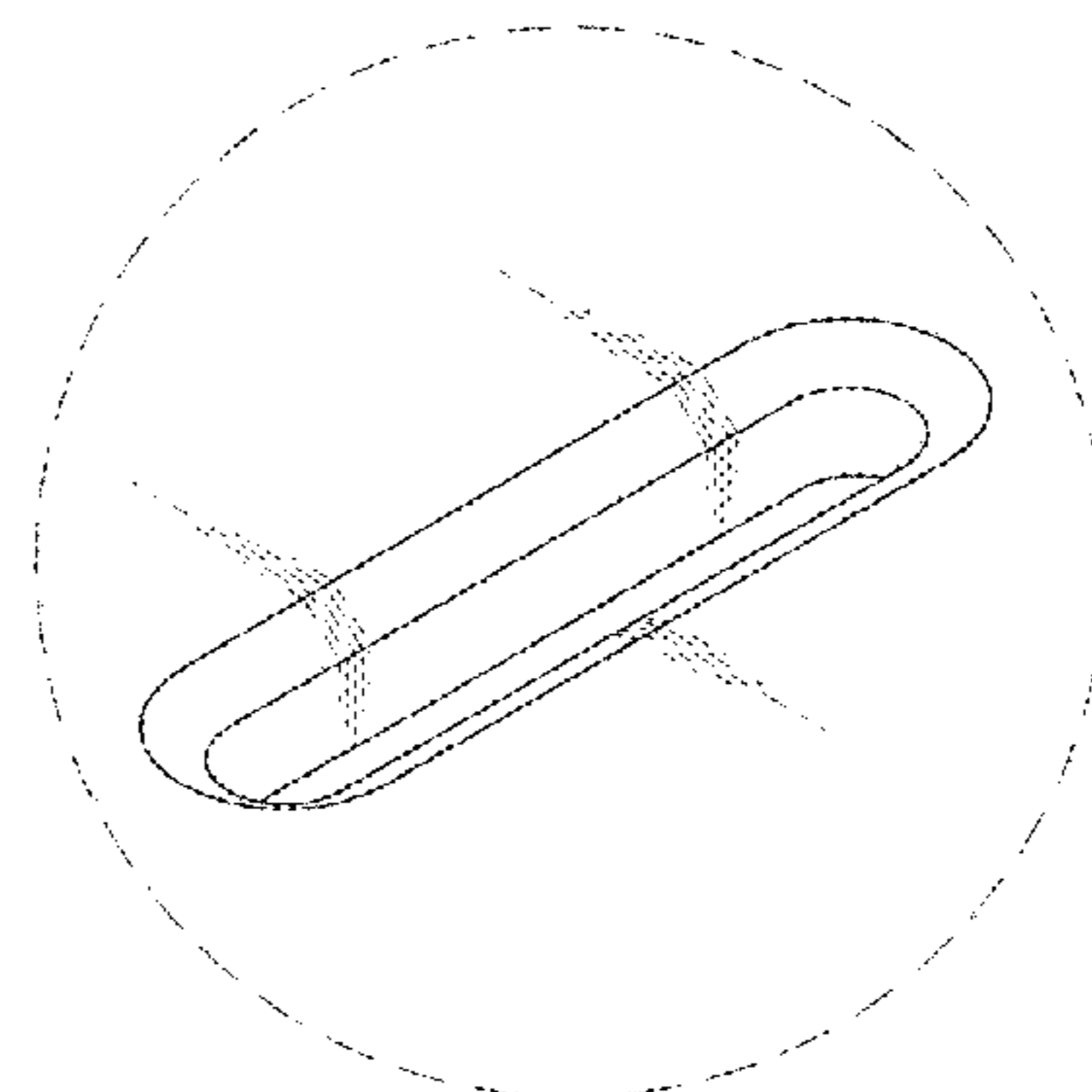
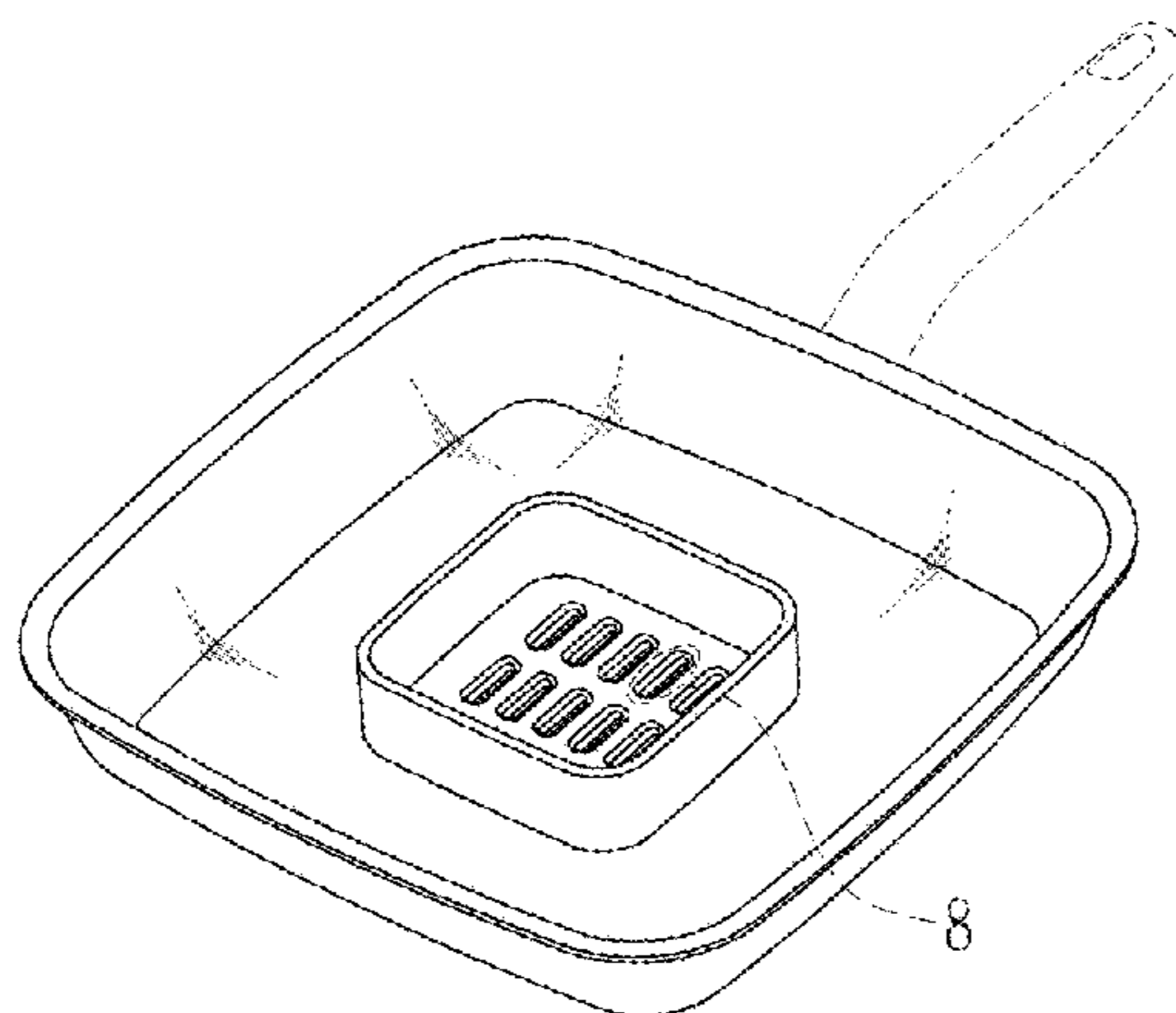
I claim, the ornamental design for a cooking pan, as shown and described.

DESCRIPTION

FIG. 1 is a top and front perspective view of a cooking pan, showing my new design;
FIG. 2 is a front view thereof;
FIG. 3 is a rear view thereof;
FIG. 4 is a left side view thereof;
FIG. 5 is a right side view thereof;
FIG. 6 is a top plan view thereof;
FIG. 7 is a bottom plan view thereof; and,
FIG. 8 is an enlarged detail view of an oval aperture, taken from reference "8" on FIG. 1, and rotated slightly for clarity of details.

The broken lines are shown for the purpose of illustrating parts of the article that form no part of the claim. The longer dashed broken lines are shown for the purpose of designating the enlargement view of FIG. 8 and its origin reference in FIG. 1 and form no part of the claim.

1 Claim, 6 Drawing Sheets



(56)

References Cited

U.S. PATENT DOCUMENTS

D651,043	S	*	12/2011	Sarnoff	D7/354
D667,681	S	*	9/2012	Carsten	D7/354
D672,604	S	*	12/2012	Upston	D7/354
D677,974	S	*	3/2013	Cloutier	D7/354
D689,327	S	*	9/2013	Ortegon	D7/354
D756,699	S	*	5/2016	Kim	A47J 37/067
						D7/354
D761,614	S	*	7/2016	Zemel	D7/354
D767,341	S	*	9/2016	Koempel	D7/554.3
D774,349	S	*	12/2016	Zemel	D7/354
D779,871	S	*	2/2017	Zemel	D7/354
2012/0031918	A1	*	2/2012	Gotsis	A47J 27/002
						220/752
2013/0200080	A1	*	8/2013	Dalton	A47J 37/10
						220/573.1
2015/0053707	A1	*	2/2015	Borovicka	A47J 45/071
						220/759
2016/0058229	A1	*	3/2016	Livesey	A47J 45/061
						220/573.1

* cited by examiner

FIG. 1

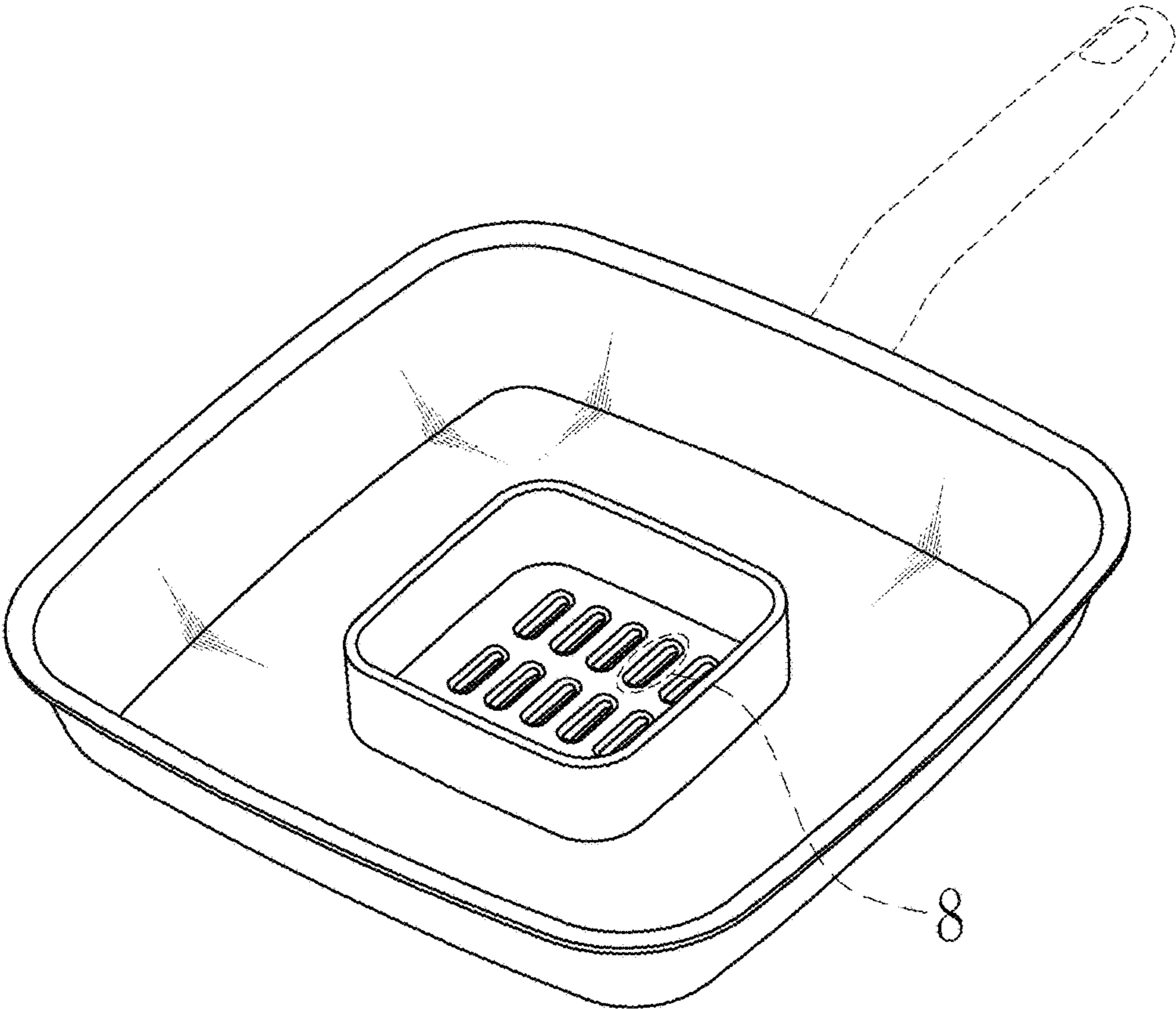


FIG. 2

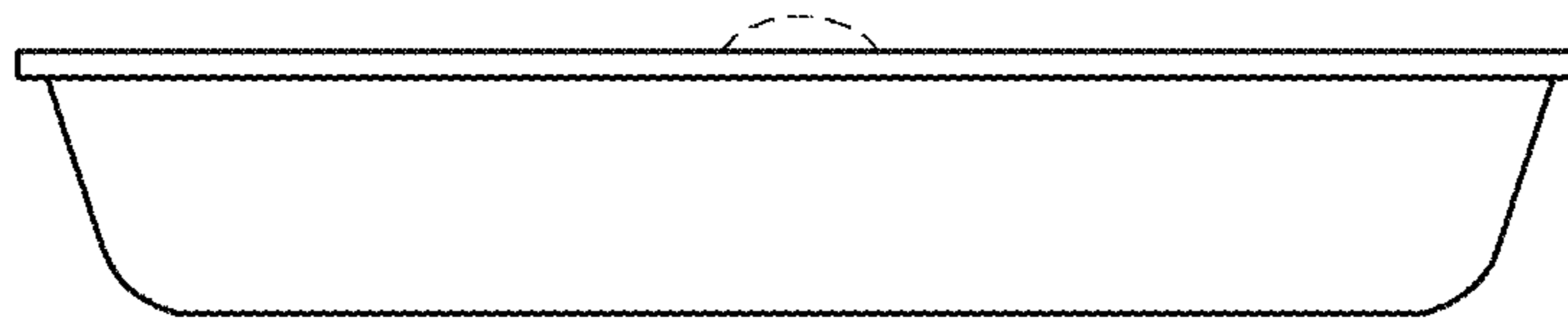


FIG. 3

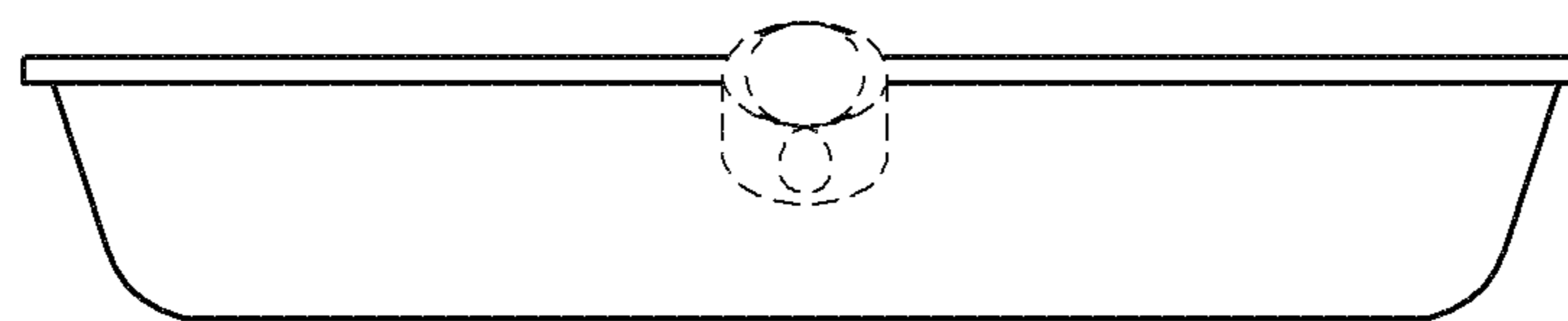


FIG. 4



FIG. 5

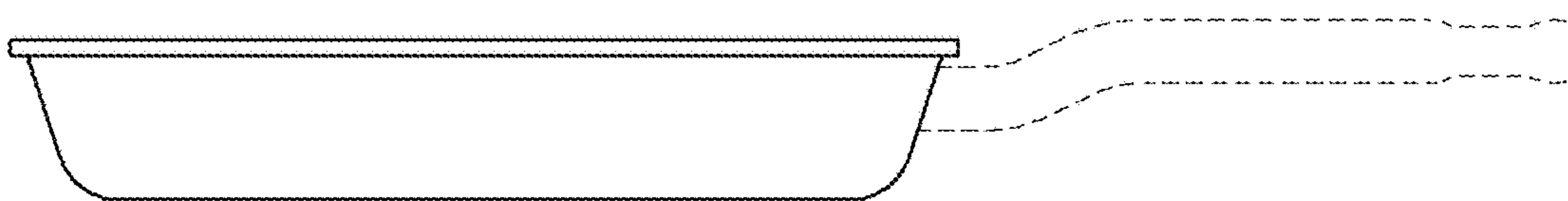


FIG. 6

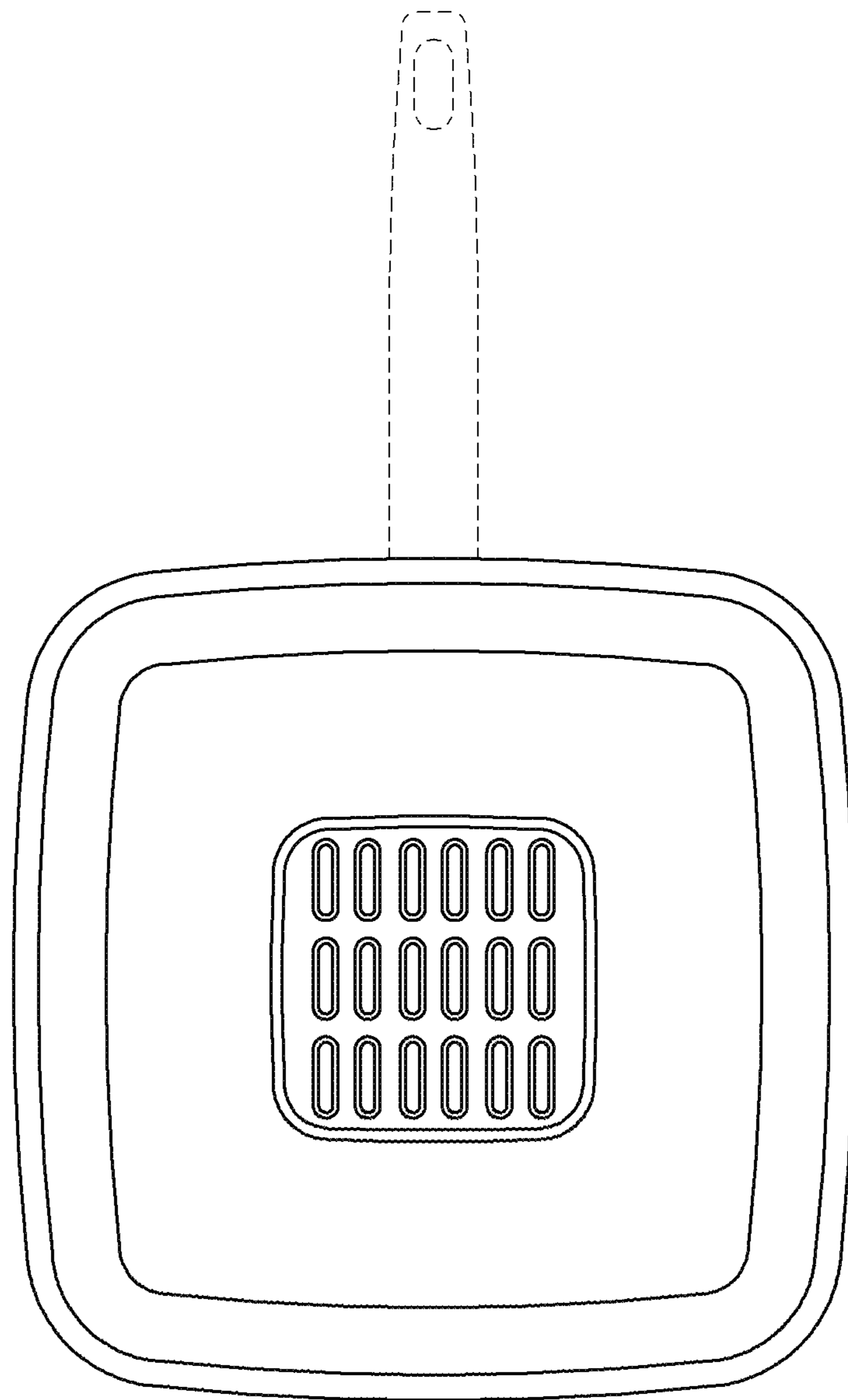


FIG. 7

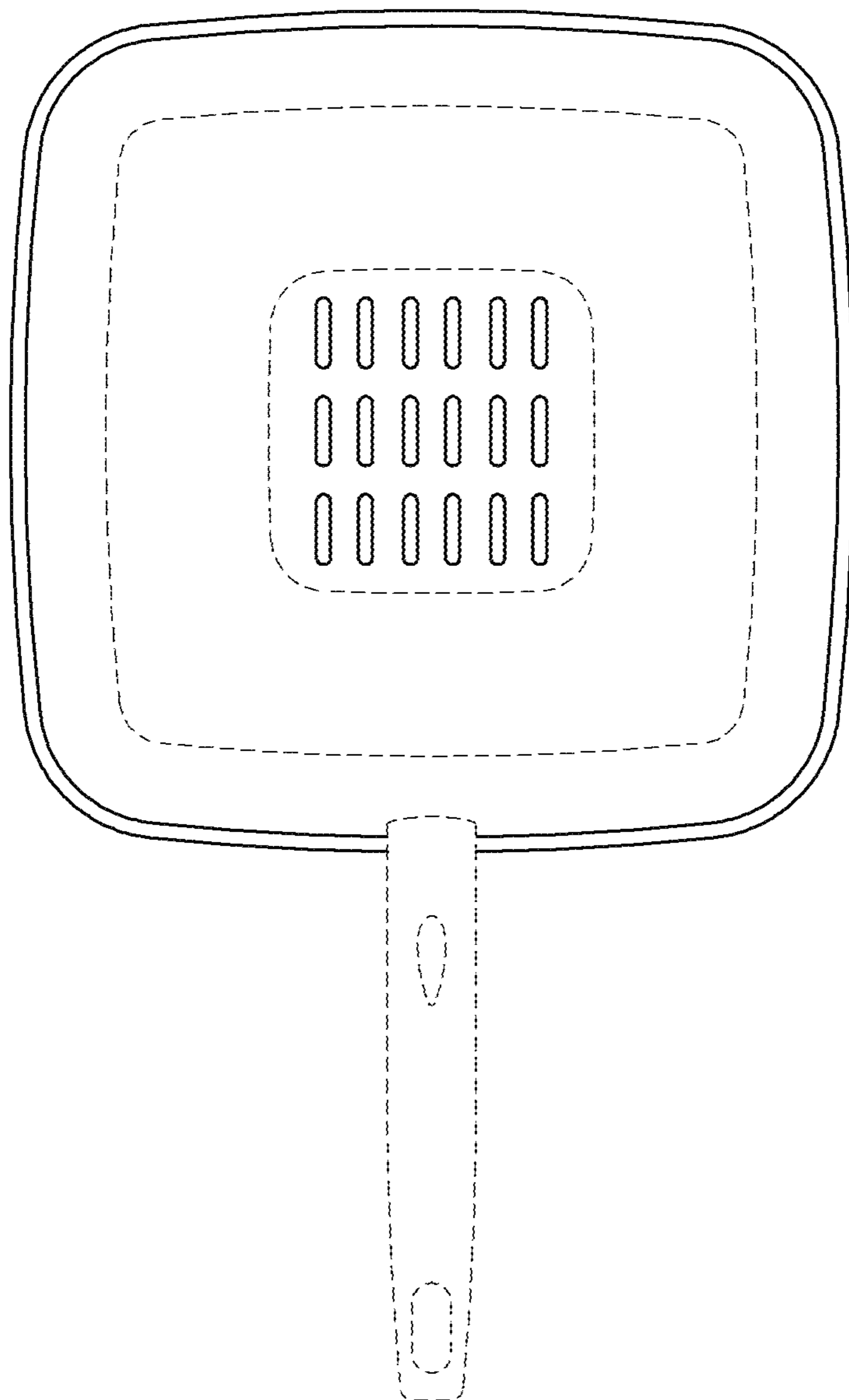


FIG. 8

