

US00D807681S

(12) **United States Design Patent** (10) **Patent No.:** **US D807,681 S**
Lee (45) **Date of Patent:** **** Jan. 16, 2018**

(54) **COOKING PAN**

(71) Applicant: **Jin Hee Lee**, Seoul (KR)

(72) Inventor: **Jin Hee Lee**, Seoul (KR)

(**) Term: **15 Years**

(21) Appl. No.: **29/564,930**

(22) Filed: **May 17, 2016**

(30) **Foreign Application Priority Data**

Nov. 19, 2015 (KR) 30-2015-0058262

(51) **LOC (11) Cl.** **07-02**

(52) **U.S. Cl.**
USPC **D7/359**

(58) **Field of Classification Search**
USPC D3/201, 202, 203.1, 270, 271.1, 304,
D3/315, 319; D7/323, 331, 353, 354,
D7/356, 357, 359, 390, 402, 409, 550.1,
D7/552.1, 553.1, 553.2, 553.7, 554.1,
D7/554.3, 554.4, 601; D6/553, 567, 570,
D6/571, 675, 677, 681, 683.1; D9/414,
D9/428, 430, 432, 436, 755, 759;
D24/127, 128, 216, 224, 227, 228, 229,
D24/230; D12/163, 197, 415, 425;
D21/524, 525, 532; D23/260, 261, 268,
D23/397; D26/28; D28/61; D30/129,
D30/130, 132, 133

CPC A47G 19/12; A47J 27/00; A47J 27/002;
A47J 27/004; A47J 27/08; A47J 27/21;
A47J 27/58; A47J 35/025; A47J 45/061;
A47J 45/065; A47J 45/071; A47J 45/08;
A47J 29/00; A47J 29/02; A47J 29/04;
A47J 29/06; A47J 36/025; A45J 37/00;
A45J 37/10; A45J 37/101; A45J 37/103;
A45J 37/1204; A45J 37/0704; H05B
6/06; H05B 6/12; A01K 41/02; A01K
41/026; A01K 41/04; A23B 5/00; A23B
5/005; A23B 5/0052; B65D 11/02

See application file for complete search history.

(56) **References Cited**

U.S. PATENT DOCUMENTS

D197,663	S	*	3/1964	O'Reilly	D7/359
D297,604	S	*	9/1988	Hagberg	D7/359
D380,645	S	*	7/1997	Perlini	D7/359
D427,842	S	*	7/2000	Iacchetti	D7/359
6,298,775	B1	*	10/2001	Chen	A47J 45/061 16/111.1
D470,711	S	*	2/2003	Kloppsteck	D7/359
D511,929	S	*	11/2005	Coppi	D7/359
D525,078	S	*	7/2006	Hoenstein	D7/359
D651,043	S	*	12/2011	Sarnoff	D7/354
D667,681	S	*	9/2012	Carsten	D7/354
D672,604	S	*	12/2012	Upston	D7/354

(Continued)

Primary Examiner — Thomas Johannes

Assistant Examiner — Catherine S Posthauer

(74) *Attorney, Agent, or Firm* — Kile Park Reed & Houtteman PLLC

(57) **CLAIM**

I claim, the ornamental design for a cooking pan, as shown and described.

DESCRIPTION

FIG. 1 is a top and front perspective view of a cooking pan, showing my new design;

FIG. 2 is a front view thereof;

FIG. 3 is a rear view thereof;

FIG. 4 is a left side view thereof;

FIG. 5 is a right side view thereof;

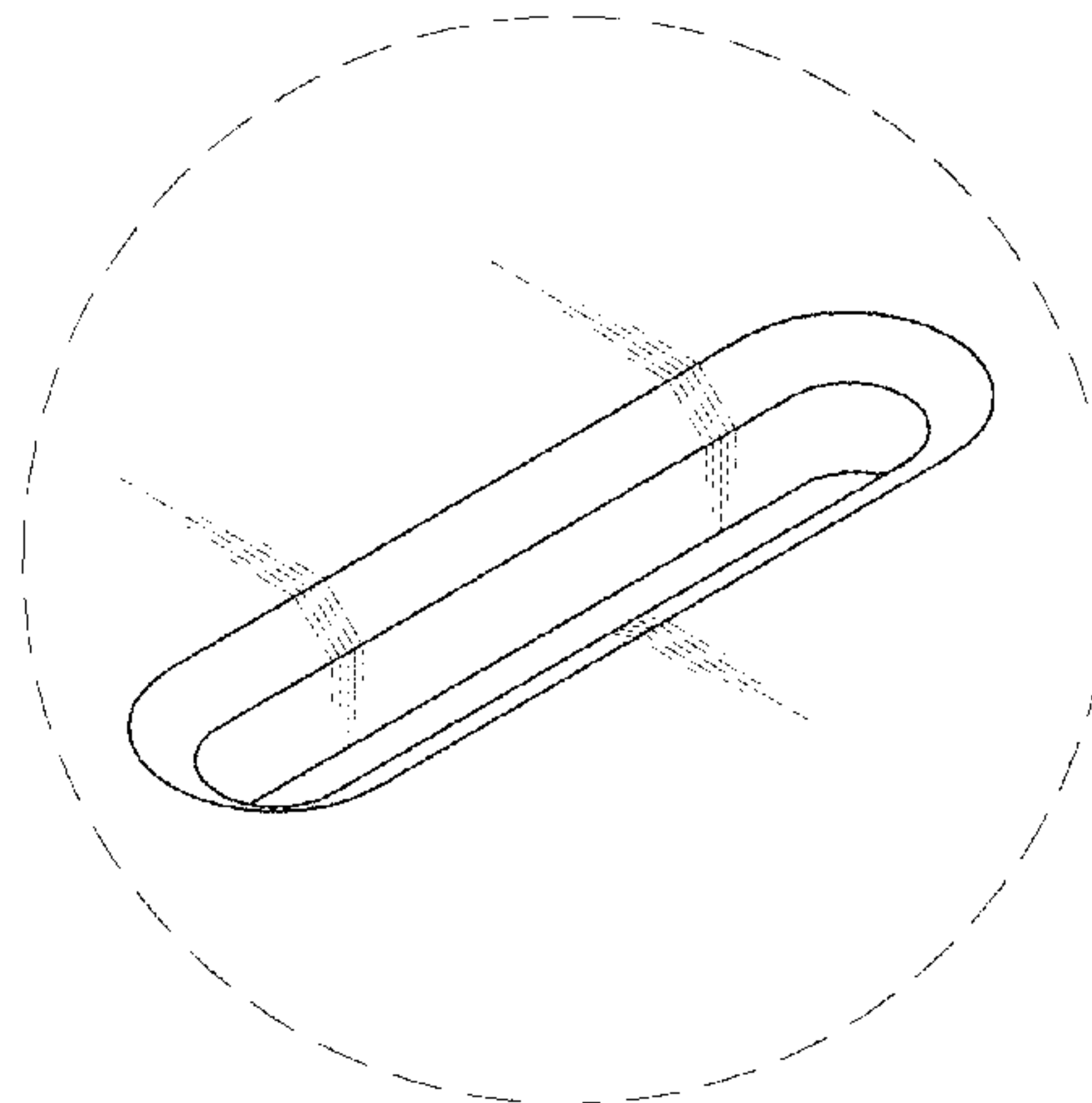
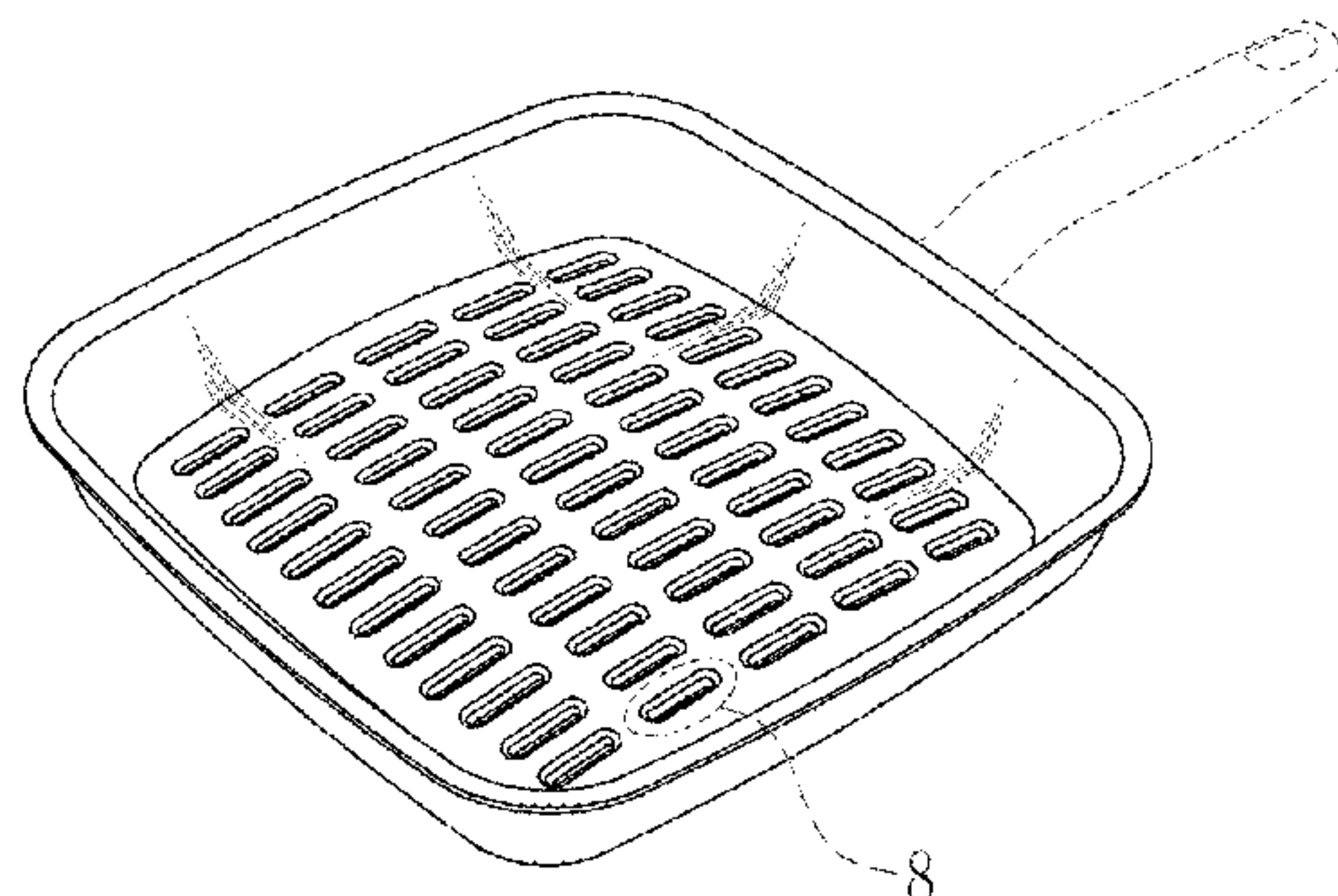
FIG. 6 is a top plan view thereof;

FIG. 7 is a bottom plan view thereof; and,

FIG. 8 is an enlarged detail view of an oval aperture, taken from reference "8" on FIG. 1.

The broken lines are shown for the purpose of illustrating parts of the cooking pan that form no part of the claim.

1 Claim, 6 Drawing Sheets



(56)

References Cited

U.S. PATENT DOCUMENTS

D677,974 S * 3/2013 Cloutier D7/354
D689,327 S * 9/2013 Ortegon D7/354
D756,699 S * 5/2016 Kim A47J 37/067
D7/354
D761,614 S * 7/2016 Zemel D7/354
D767,341 S * 9/2016 Koempel D7/554.3
D774,349 S * 12/2016 Zemel D7/354
D779,871 S * 2/2017 Zemel D7/354
2012/0031918 A1* 2/2012 Gotsis A47J 27/002
220/752
2013/0200080 A1* 8/2013 Dalton A47J 37/10
220/573.1
2015/0053707 A1* 2/2015 Borovicka A47J 45/071
220/759
2016/0058229 A1* 3/2016 Livesey A47J 45/061
220/573.1

* cited by examiner

FIG. 1

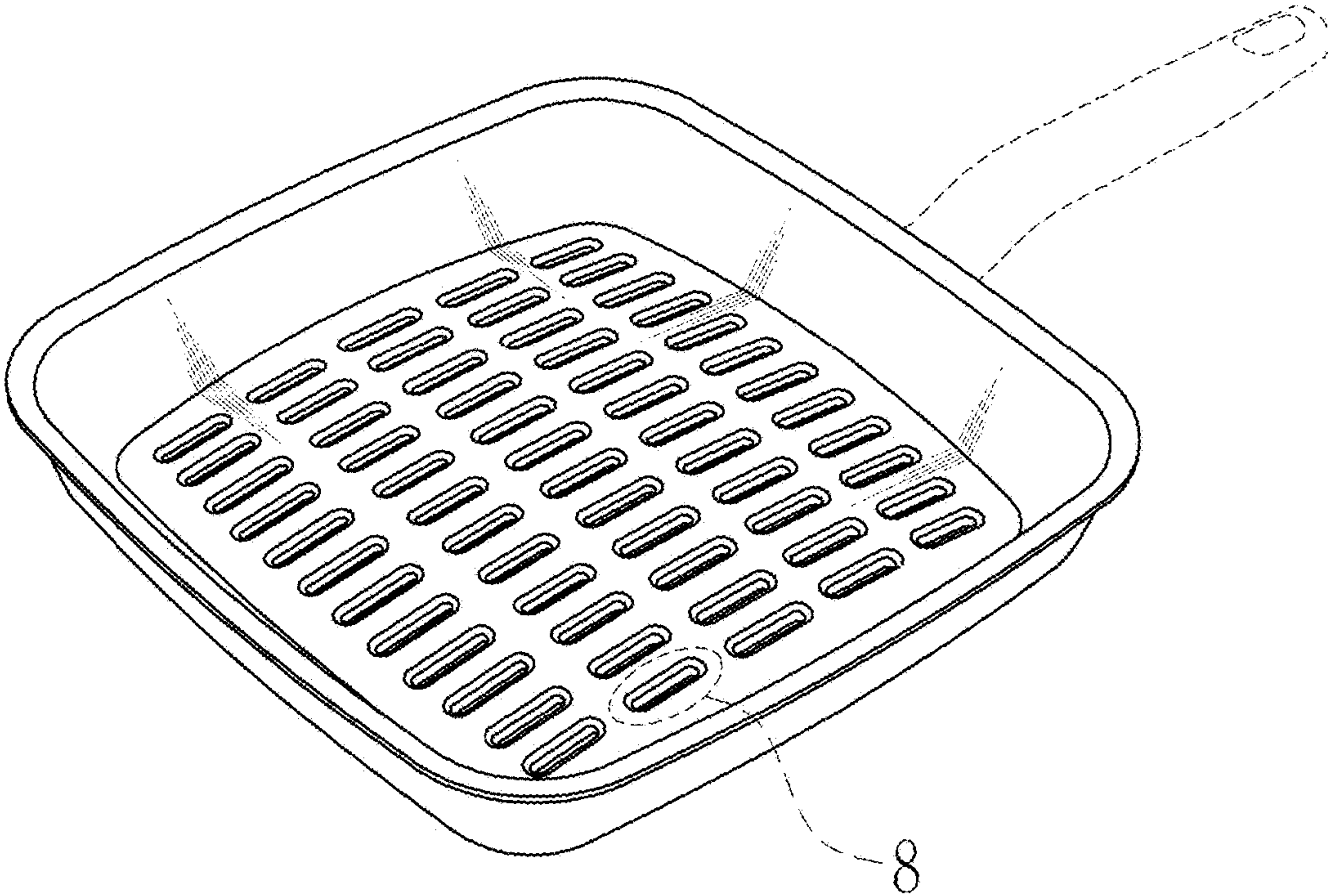


FIG. 2

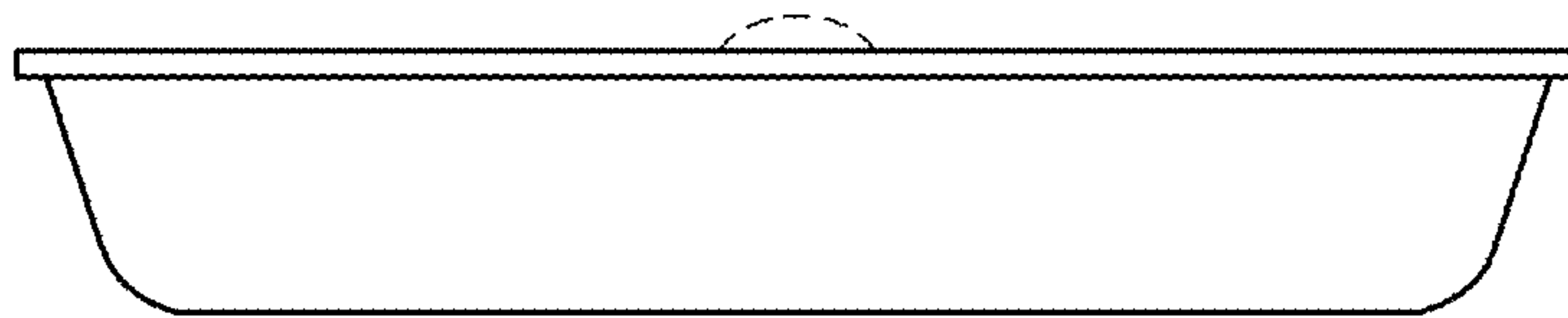


FIG. 3

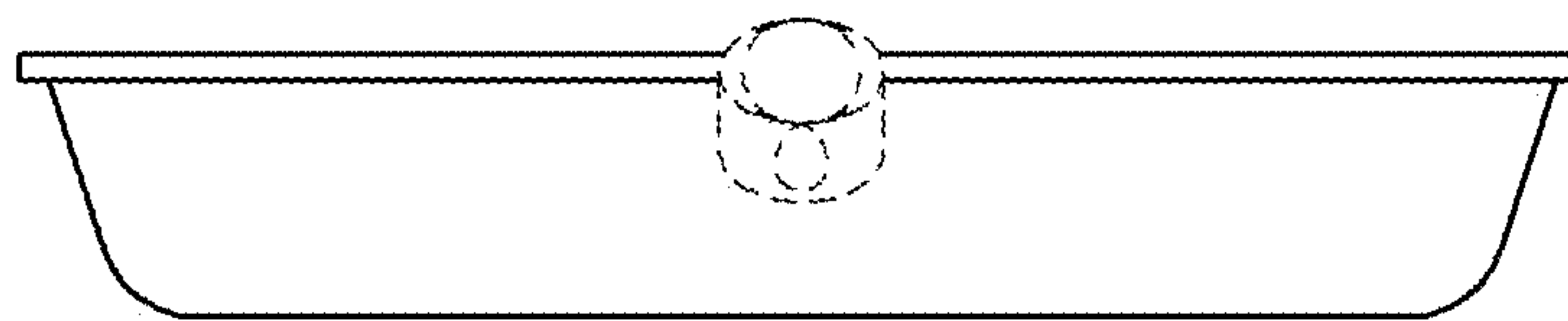


FIG. 4

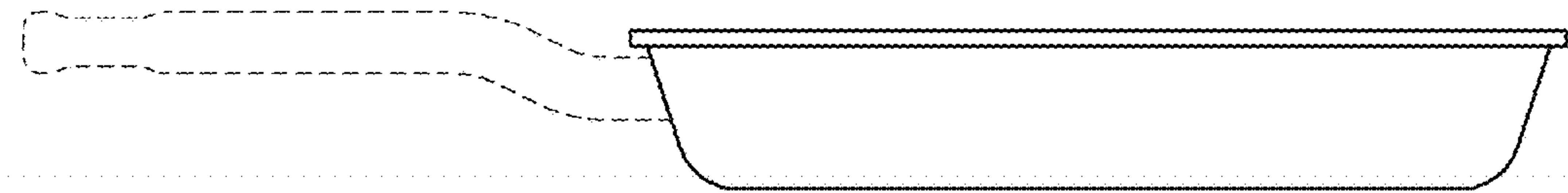


FIG. 5



FIG. 6

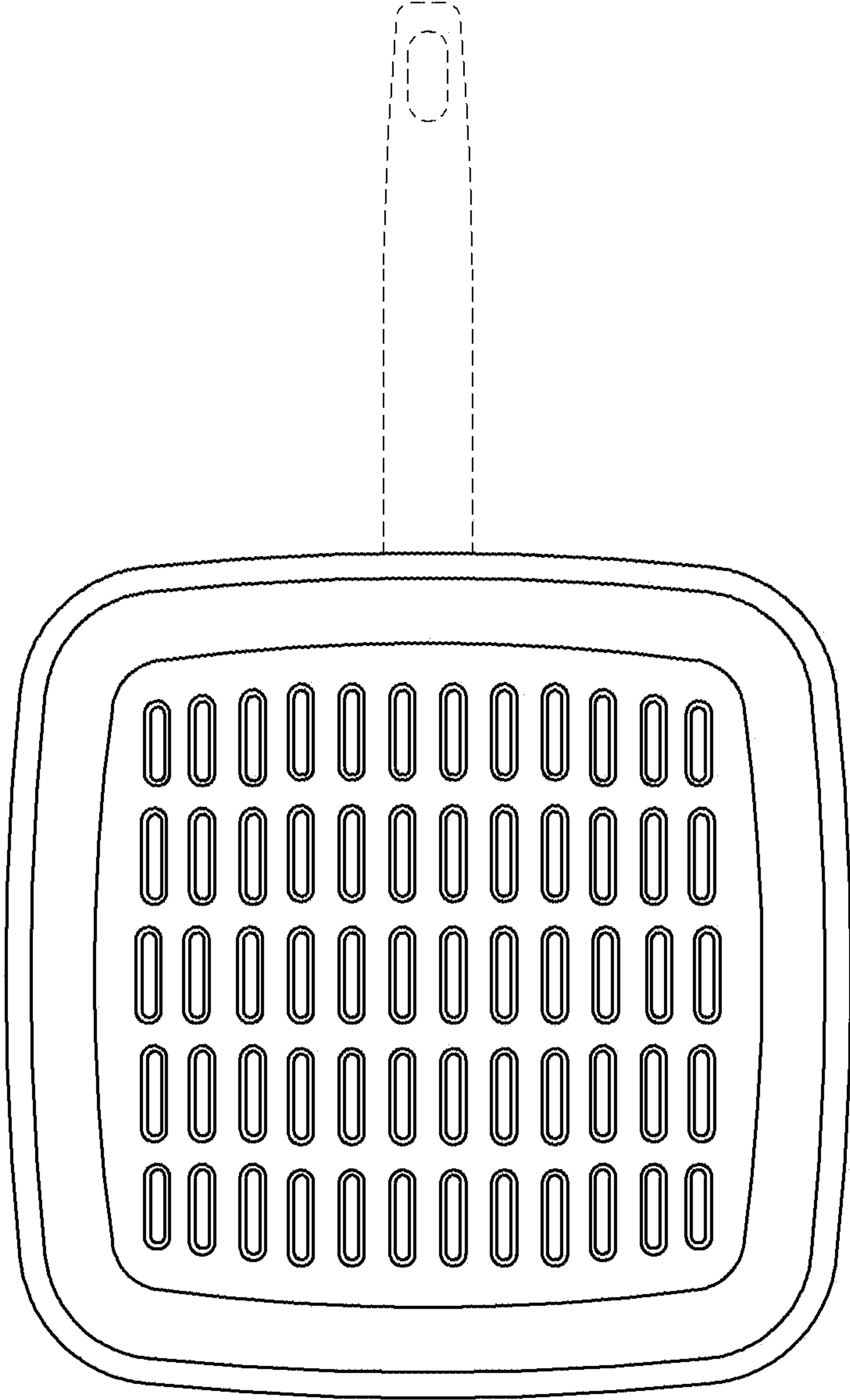


FIG. 7

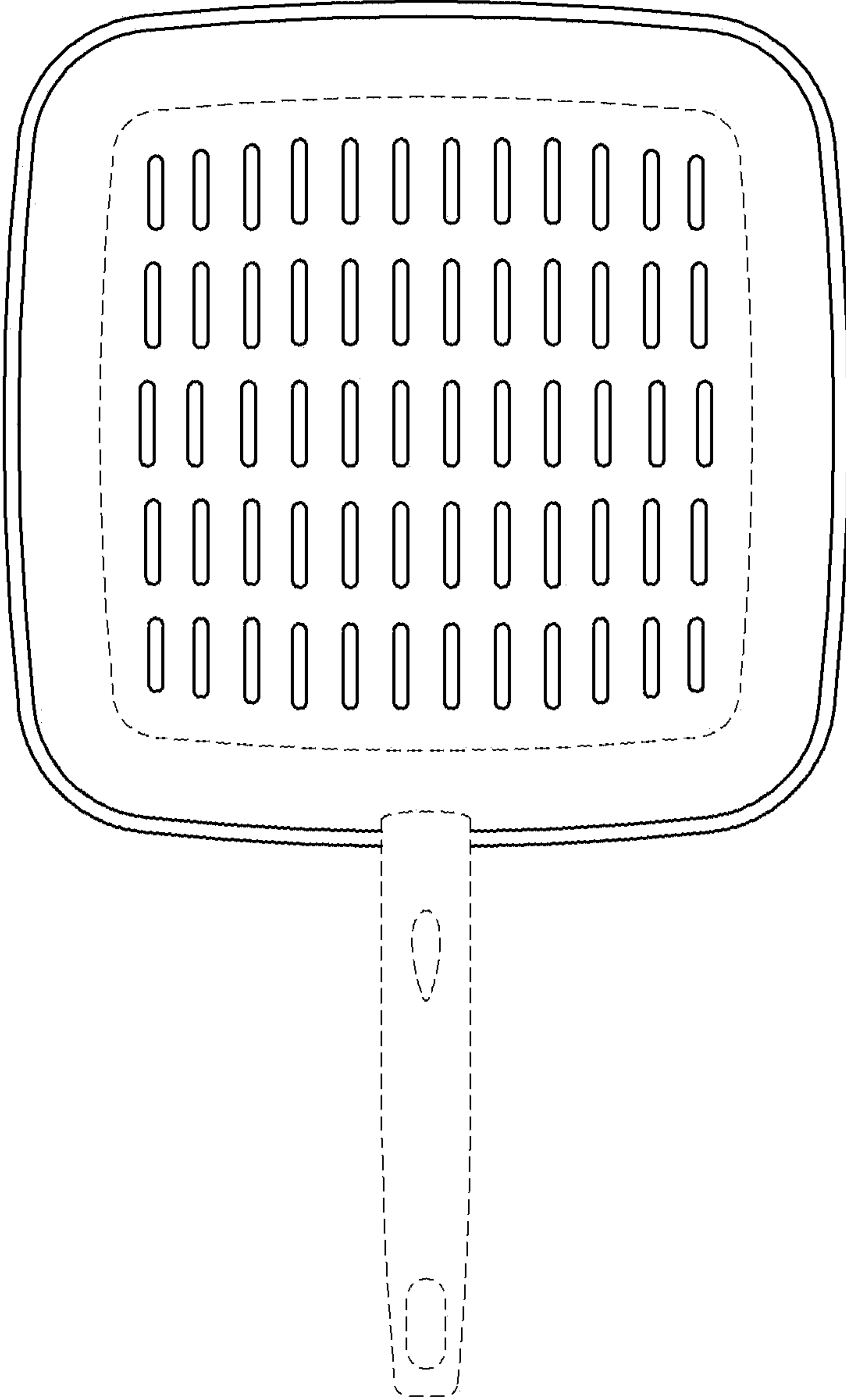


FIG. 8

