



US00D807679S

(12) **United States Design Patent** (10) **Patent No.:** **US D807,679 S**  
**Mirchandani et al.** (45) **Date of Patent:** **\*\* Jan. 16, 2018**

- (54) **PAN**
- (71) Applicants: **TRISTAR PRODUCTS, INC.**,  
Fairfield, NJ (US); **KE M.O. HOUSE**  
**CO., LTD.**, Shenzhen (CN)
- (72) Inventors: **Keith Mirchandani**, Fairfield, NJ (US);  
**Mo-Tsan Tsai**, Shenzhen (CN)
- (73) Assignees: **Tristar Products, Inc.**, Fairfield, NJ  
(US); **KE M.O. House Co., Ltd.**,  
Shenzhen (CN)
- (\*\*) Term: **15 Years**
- (21) Appl. No.: **29/589,554**
- (22) Filed: **Jan. 3, 2017**

**Related U.S. Application Data**

- (63) Continuation of application No. 29/552,601, filed on  
Jan. 24, 2016, now Pat. No. Des. 778,103, which is a  
continuation-in-part of application No. 29/547,842,  
filed on Dec. 8, 2015.

**Foreign Application Priority Data**

- (30) Dec. 1, 2015 (CN) ..... 2015 3 0493868
- (51) **LOC (11) Cl.** ..... **07-02**
- (52) **U.S. Cl.**  
USPC ..... **D7/354**
- (58) **Field of Classification Search**  
USPC ..... D4/129, 138; D7/354, 359, 360, 361,  
D7/393, 394, 395, 543, 600, 648;  
D8/107, 307; D9/907  
CPC ..... A47J 43/287; A47J 45/08; A47J 45/061;  
Y10T 16/44; Y10T 16/4707  
See application file for complete search history.

(56) **References Cited**

U.S. PATENT DOCUMENTS

2,085,220 A	12/1936	Howlett
D263,670 S	4/1982	Schawalder
4,926,843 A	5/1990	Vocke et al.
D338,370 S	8/1993	Takeda
5,323,693 A	6/1994	Collard et al.
5,396,834 A	3/1995	Gambini

(Continued)

FOREIGN PATENT DOCUMENTS

CN	300743744	2/2008
CN	301355624	9/2010

(Continued)

OTHER PUBLICATIONS

<http://www.copperchef.com/> Available Dec. 18, 2015.\*

*Primary Examiner* — Susan Bennett Hattan

*Assistant Examiner* — Leanne Was-Englehart

(74) *Attorney, Agent, or Firm* — Adler Pollock &  
Sheehan P.C.; Daniel J. Holmander

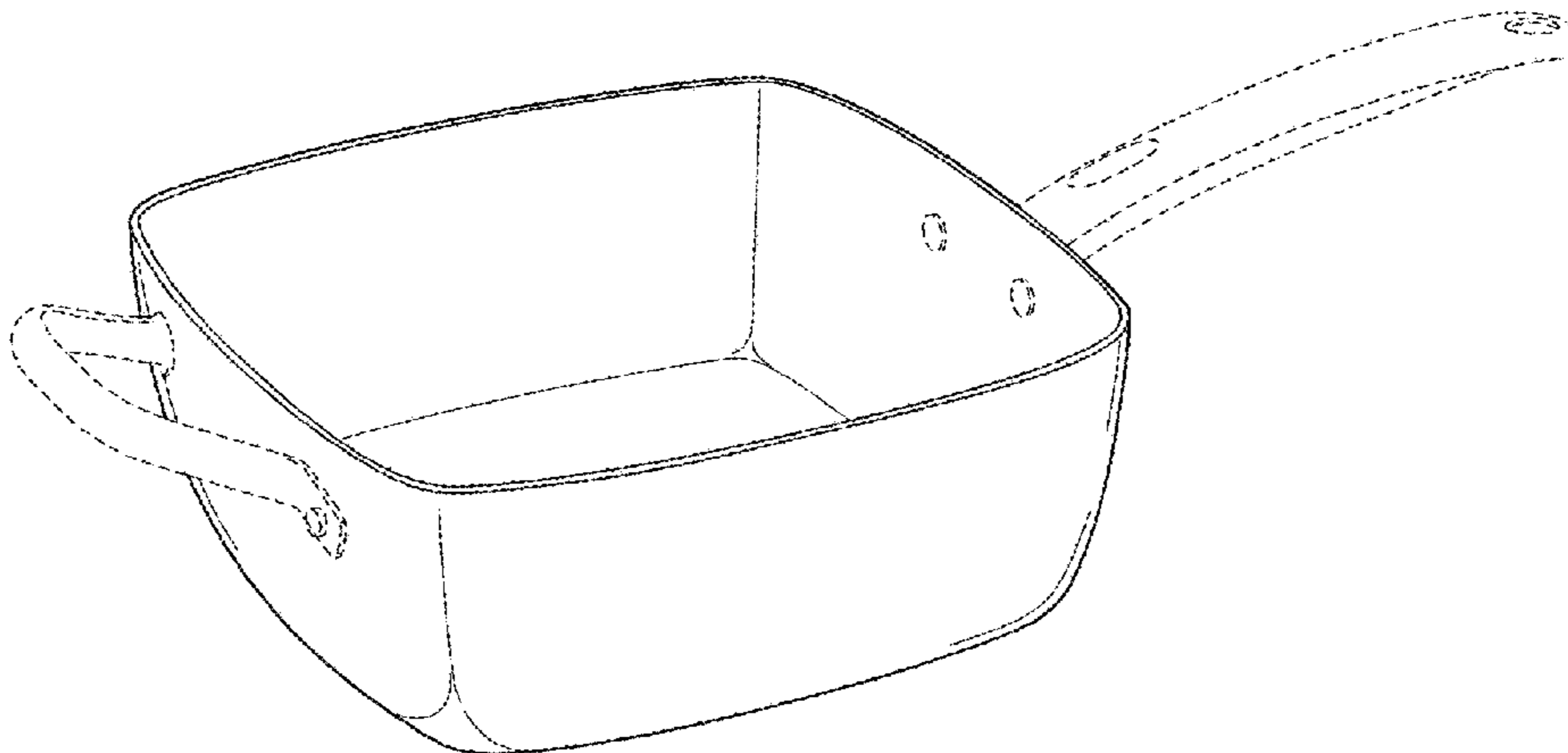
(57) **CLAIM**

The ornamental design for a pan, as shown and described.

**DESCRIPTION**

FIG. 1 is a perspective view of the pan;  
 FIG. 2 is a front view thereof;  
 FIG. 3 is a rear view thereof;  
 FIG. 4 is a right side view thereof;  
 FIG. 5 is a left side view thereof;  
 FIG. 6 is a top view thereof;  
 FIG. 7 is a bottom view thereof; and,  
 FIG. 8 is a right side view of the pan of FIG. 1 positioned  
 over a gas stove burner, which is shown in broken lines.  
 The elements depicted in broken lines in the various figures  
 are included for environmental purposes only, and form no  
 part of the claimed design.

**1 Claim, 8 Drawing Sheets**



(56)

References Cited

U.S. PATENT DOCUMENTS

5,497,696 A 3/1996 Coudurier et al.  
D373,287 S 9/1996 Antonio  
D374,149 S 10/1996 Candianides  
D377,438 S 1/1997 Brunianyn  
D392,152 S 3/1998 Rae  
D414,981 S 10/1999 Roskind et al.  
D445,642 S \* 7/2001 Rae ..... D7/393  
D458,797 S 6/2002 Kelermann  
D467,462 S 12/2002 Teisen-Somony  
D482,233 S 11/2003 Rae  
D510,233 S \* 10/2005 Giannone ..... D7/395  
D520,811 S \* 5/2006 Spagnolo ..... D7/395  
D549,041 S 8/2007 Kellermann et al.  
D559,032 S \* 1/2008 Kellermann ..... D7/354  
7,415,922 B2 8/2008 Cheng  
D579,714 S 11/2008 Cheng  
D586,177 S \* 2/2009 Loring ..... D7/361  
D587,519 S 3/2009 Cheng  
D588,402 S \* 3/2009 Rae ..... D7/394  
D592,450 S \* 5/2009 Rae ..... D7/394  
D596,896 S \* 7/2009 Munari ..... D7/395  
D614,445 S 4/2010 Ferran et al.  
D618,505 S 6/2010 Rae  
D627,193 S 11/2010 Marin  
D631,281 S 1/2011 Bodum  
D639,602 S 6/2011 Bodum  
D642,013 S \* 7/2011 Rae ..... D7/394  
D642,426 S \* 8/2011 Rae ..... D7/394  
D642,427 S \* 8/2011 Rae ..... D7/394  
D654,307 S \* 2/2012 Loaiza ..... D7/395  
D661,946 S \* 6/2012 Bogani ..... D7/395  
D662,775 S 7/2012 Moulin  
D663,582 S 7/2012 Moulin  
D664,000 S 7/2012 Moulin  
D667,685 S \* 9/2012 Rae ..... D7/394  
D669,730 S 10/2012 Mandil

D672,604 S 12/2012 Upston et al.  
D685,222 S 7/2013 Dang  
D692,721 S \* 11/2013 Rae ..... D7/395  
D693,627 S 11/2013 Moon et al.  
D696,059 S 12/2013 Bourbeau  
D696,060 S 12/2013 Schleinzer  
D697,751 S \* 1/2014 Schleinzer ..... D7/354  
D712,193 S 9/2014 Nagrani  
D712,194 S 9/2014 Thonis  
D717,101 S \* 11/2014 Shin ..... D7/354  
D717,583 S \* 11/2014 Shin ..... D7/354  
D732,335 S 6/2015 Thonis  
D734,091 S \* 7/2015 Moon ..... D7/354  
D751,334 S 3/2016 Pan  
D751,860 S \* 3/2016 McConnell ..... D7/394  
D752,912 S 4/2016 Venot et al.  
D758,123 S \* 6/2016 Gabbay ..... D7/354  
D758,128 S \* 6/2016 McConnell ..... D7/394  
D772,641 S \* 11/2016 Mirchandani ..... D7/354  
D776,477 S \* 1/2017 Mirchandani ..... D7/354  
2005/0211106 A1 9/2005 Dierkes  
2007/0193575 A1 8/2007 Horng-Yi  
2008/0035139 A1 2/2008 Marin  
2010/0083949 A1 4/2010 Lisheng

FOREIGN PATENT DOCUMENTS

CN 302846862 6/2014  
CN 303503839 12/2015  
EM 001171466-0002 10/2009  
EM 001320717-0001 4/2012  
EM 002445940-0025 4/2014  
EM 002633578-0007 \* 4/2015  
EP 001112353-0001 5/2009  
EP 001610098-0001 10/2009  
JP 1534683 10/2015  
KR 300829009.0000 \* 12/2015

\* cited by examiner

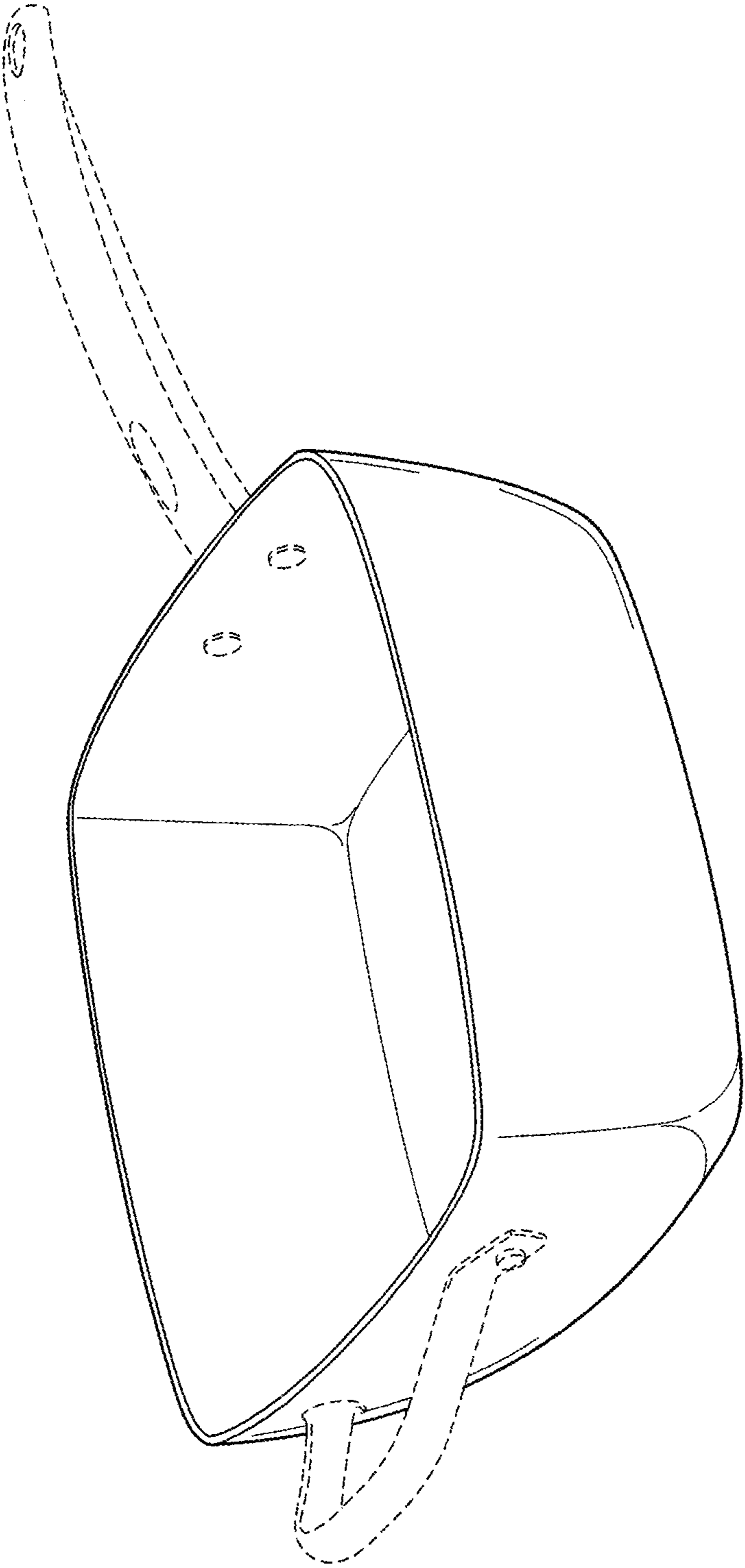


FIG.1

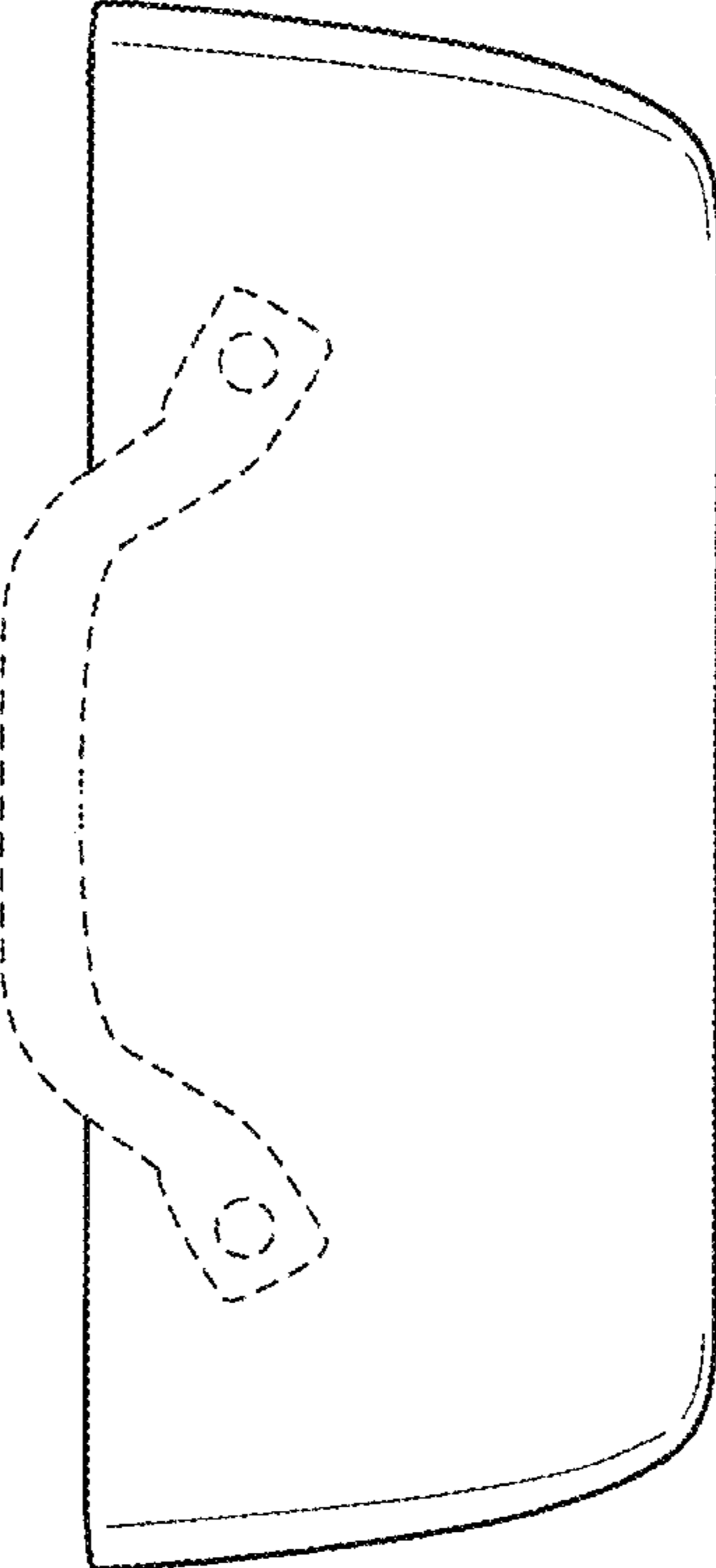


FIG. 2

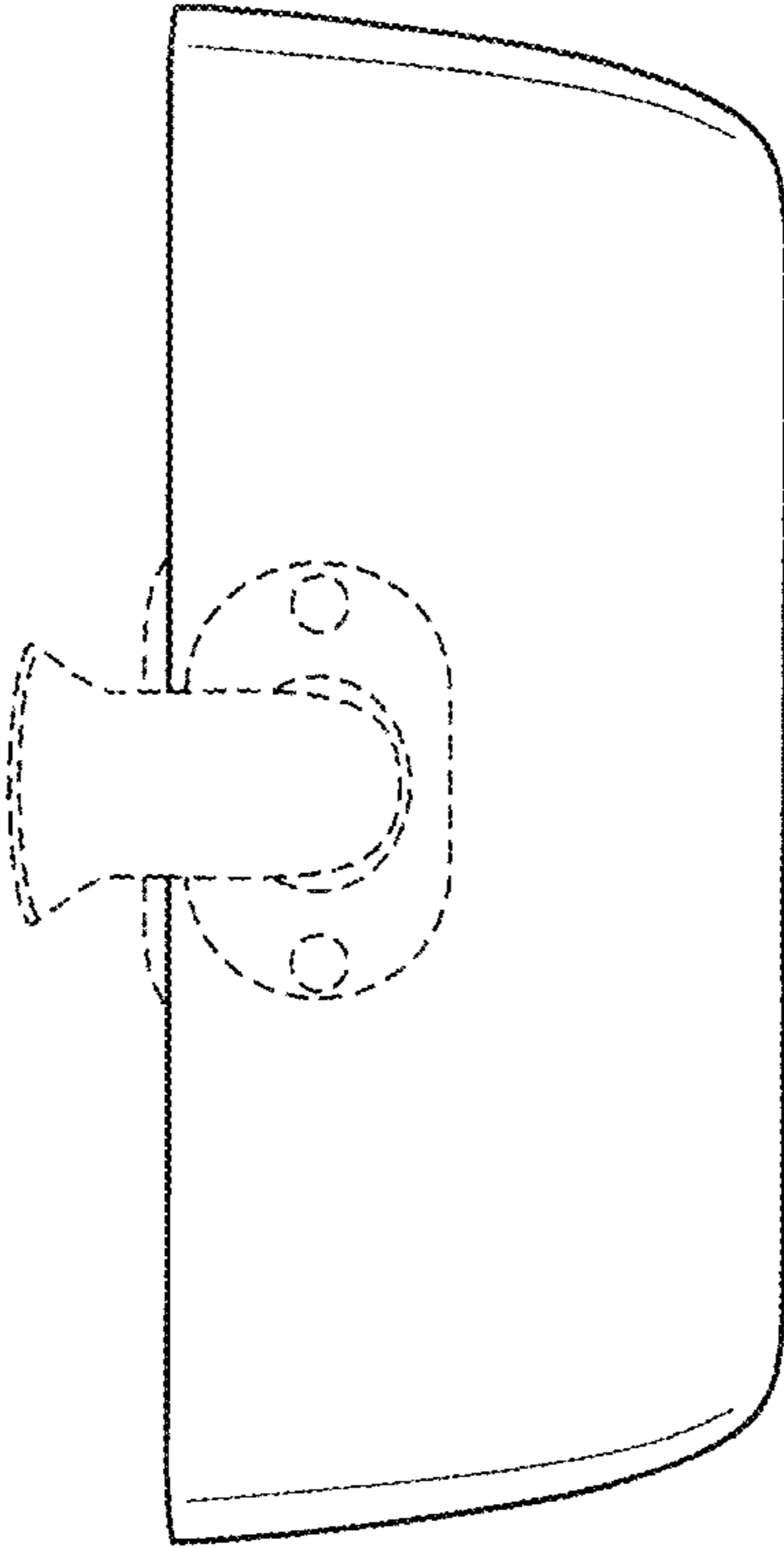


FIG. 3

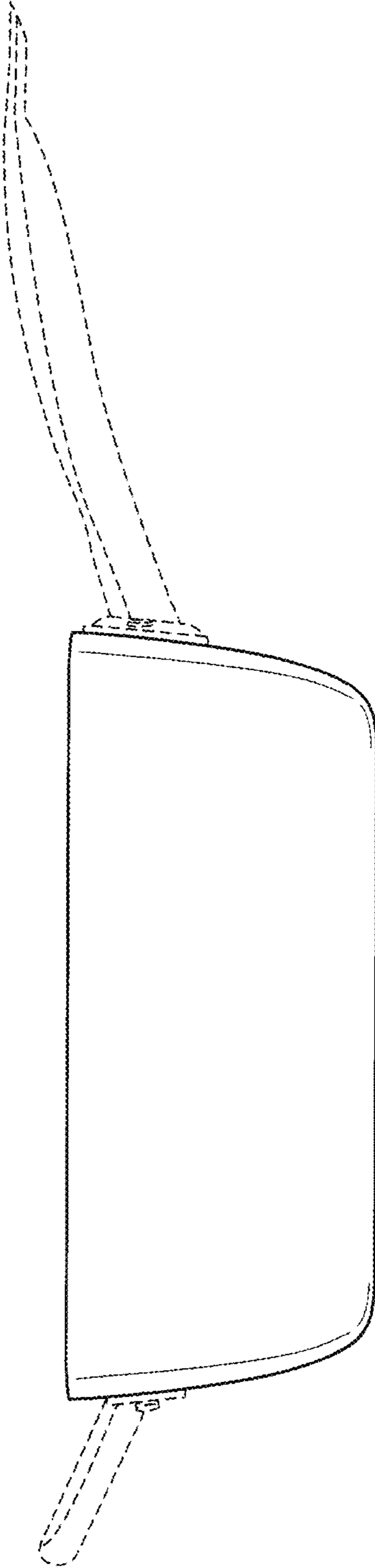


FIG. 4

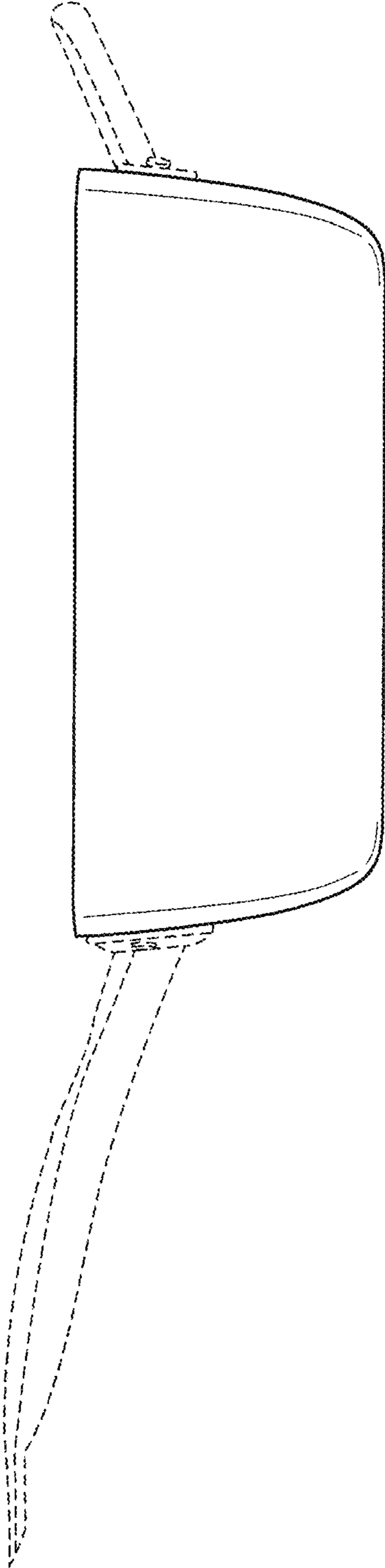


FIG. 5

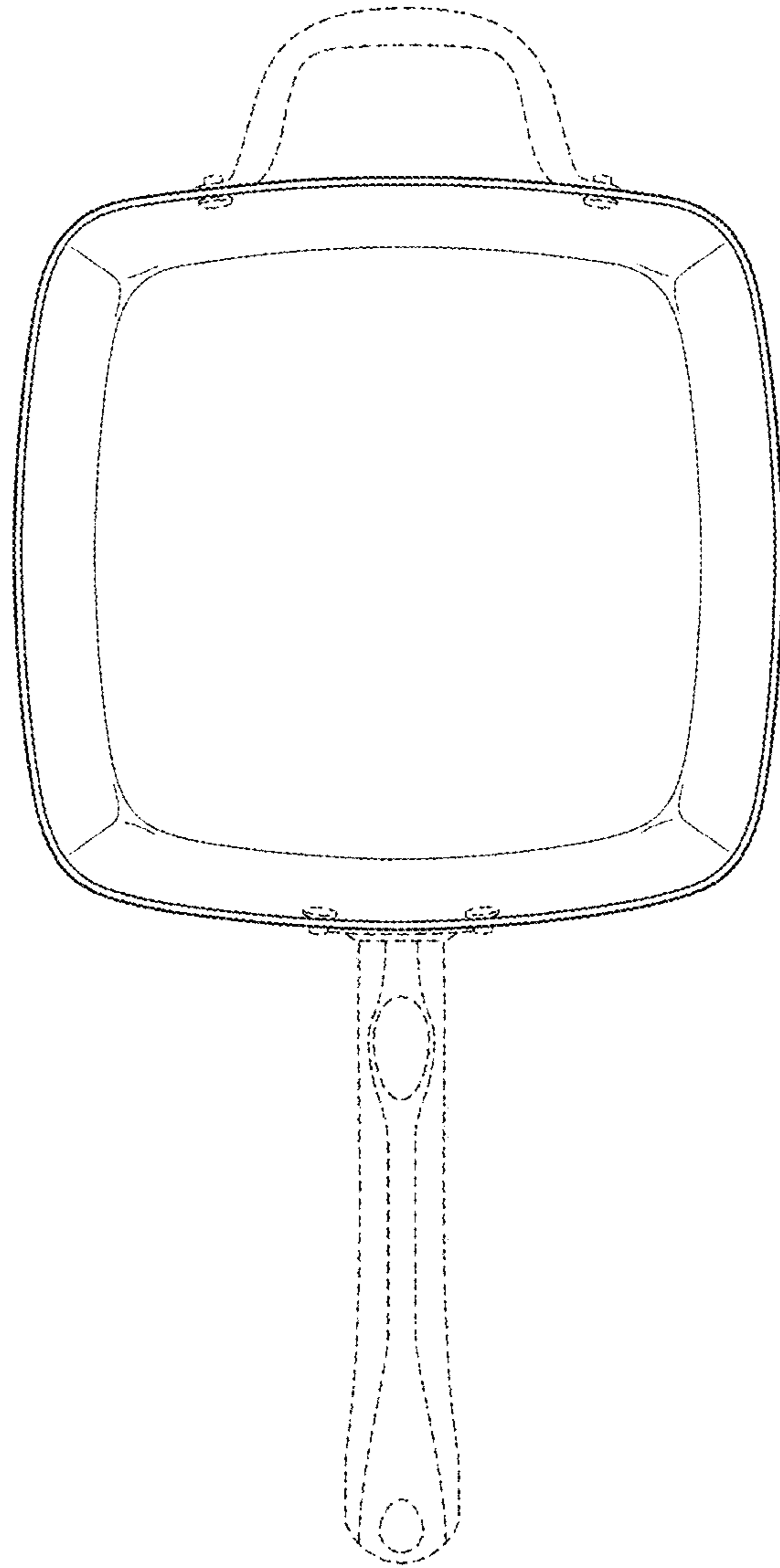


FIG. 6



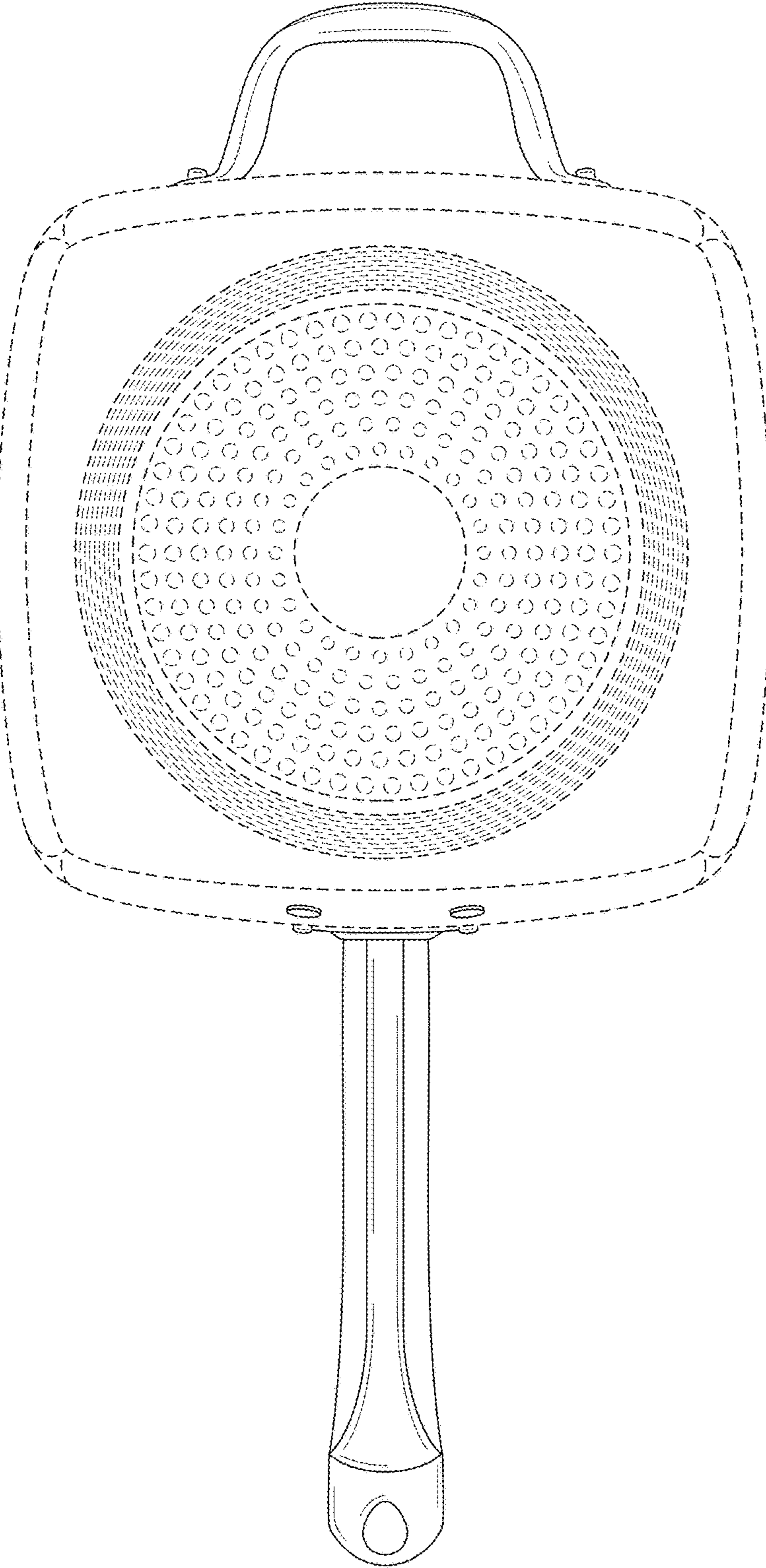


FIG. 7

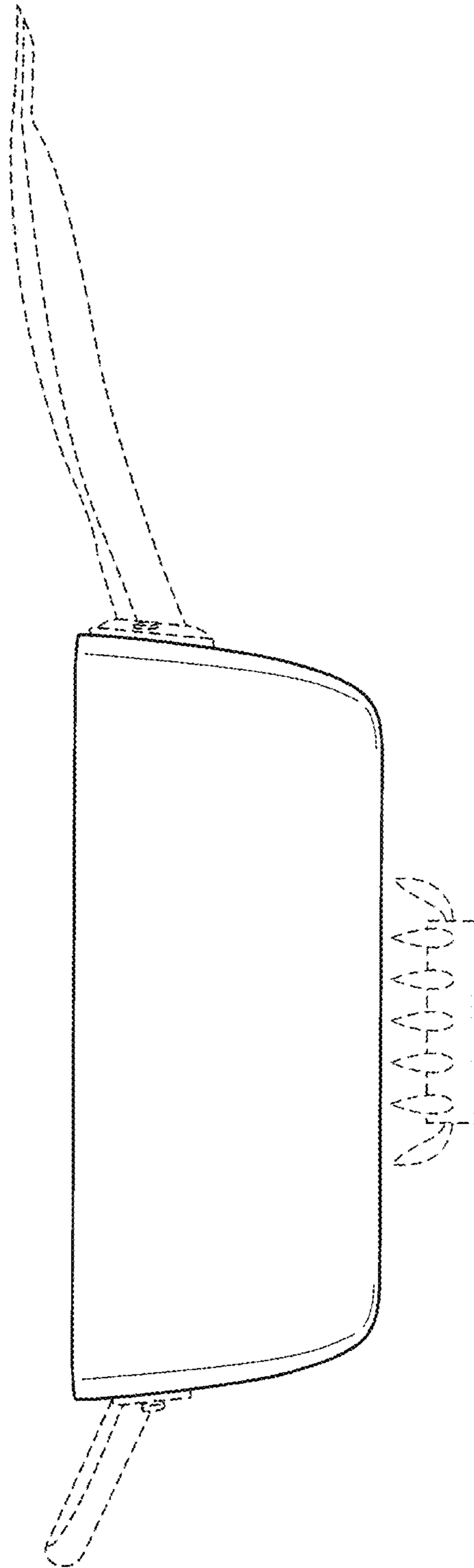


FIG. 8