



US00D807677S

(12) **United States Design Patent**
Ho et al.

(10) **Patent No.:** **US D807,677 S**
(45) **Date of Patent:** **** Jan. 16, 2018**

- (54) **TOASTER**
- (71) Applicants: **Hiu Wai Ho**, Kowloon (HK); **Wing Kit Lui**, Kowloon (HK)
- (72) Inventors: **Hiu Wai Ho**, Kowloon (HK); **Wing Kit Lui**, Kowloon (HK)
- (73) Assignee: **Eric Beare Associates Limited**, Kowloon (HK)
- (**) Term: **15 Years**
- (21) Appl. No.: **29/580,663**
- (22) Filed: **Oct. 12, 2016**
- (51) **LOC (11) Cl.** **07-02**
- (52) **U.S. Cl.**
USPC **D7/330**
- (58) **Field of Classification Search**
USPC D7/323, 328-330, 390
CPC ... A21B 2/00; A47J 37/00; A47J 37/06; A47J 37/0611; A47J 37/08; A47J 37/0807; A47J 37/0814; A47J 37/0835; A47J 37/0842; A47J 37/085; A47J 37/0864; A47J 37/0878; A47J 37/0885; A47J 37/0892; F24C 15/10; F24C 15/102
See application file for complete search history.

- (56) **References Cited**
U.S. PATENT DOCUMENTS
D472,421 S * 4/2003 To D7/330
D492,536 S * 7/2004 Wong D7/330

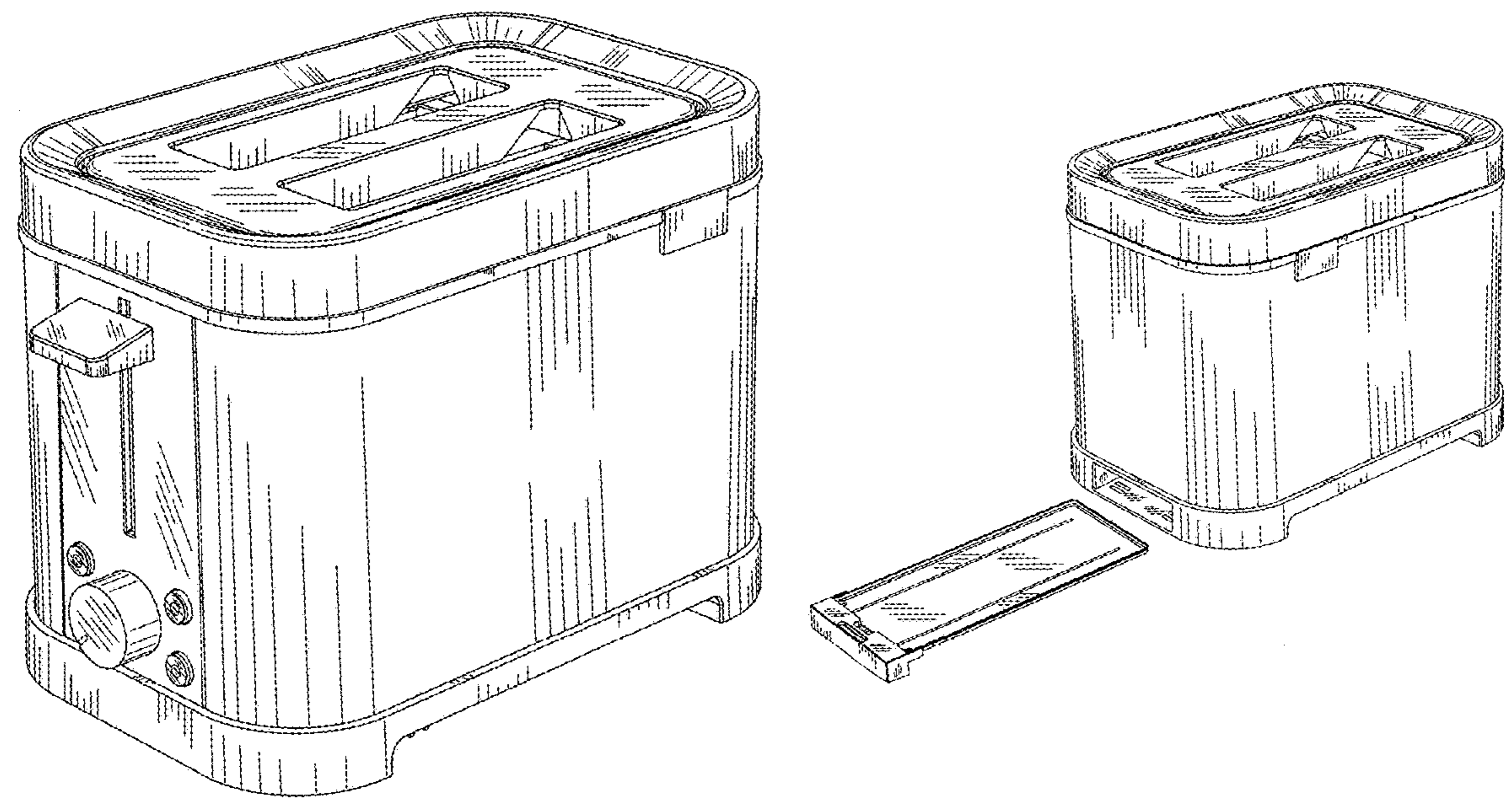
- D548,512 S * 8/2007 Nakatani D7/330
- D553,421 S * 10/2007 Kim D7/330
- D567,570 S * 4/2008 O'Loughlin D7/330
- D640,893 S * 7/2011 Lindquist D7/330
- D644,473 S * 9/2011 Pantaleo D7/330
- D688,509 S * 8/2013 Carlson D7/330
- D724,885 S * 3/2015 Kunz D7/330
- D746,624 S * 1/2016 Sun D7/330
- D761,610 S * 7/2016 Carpenter D7/330
- D791,526 S * 7/2017 Rose D7/330
- D794,995 S * 8/2017 Bond D7/330

* cited by examiner
Primary Examiner — Ricky Pham

(57) **CLAIM**
The ornamental design for the toaster, as shown and described.

DESCRIPTION
FIG. 1 is a front elevational view of the toaster showing our new design;
FIG. 2 is a rear elevational view thereof;
FIG. 3 is a left side view thereof;
FIG. 4 is a right side view thereof;
FIG. 5 is a top plan view thereof;
FIG. 6 is a bottom plan view thereof;
FIG. 7 is a perspective view thereof;
FIG. 8 is a second perspective view thereof;
FIG. 9 is a third perspective view thereof; and,
FIG. 10 is a perspective view of the toaster with the base portion detached.

1 Claim, 9 Drawing Sheets



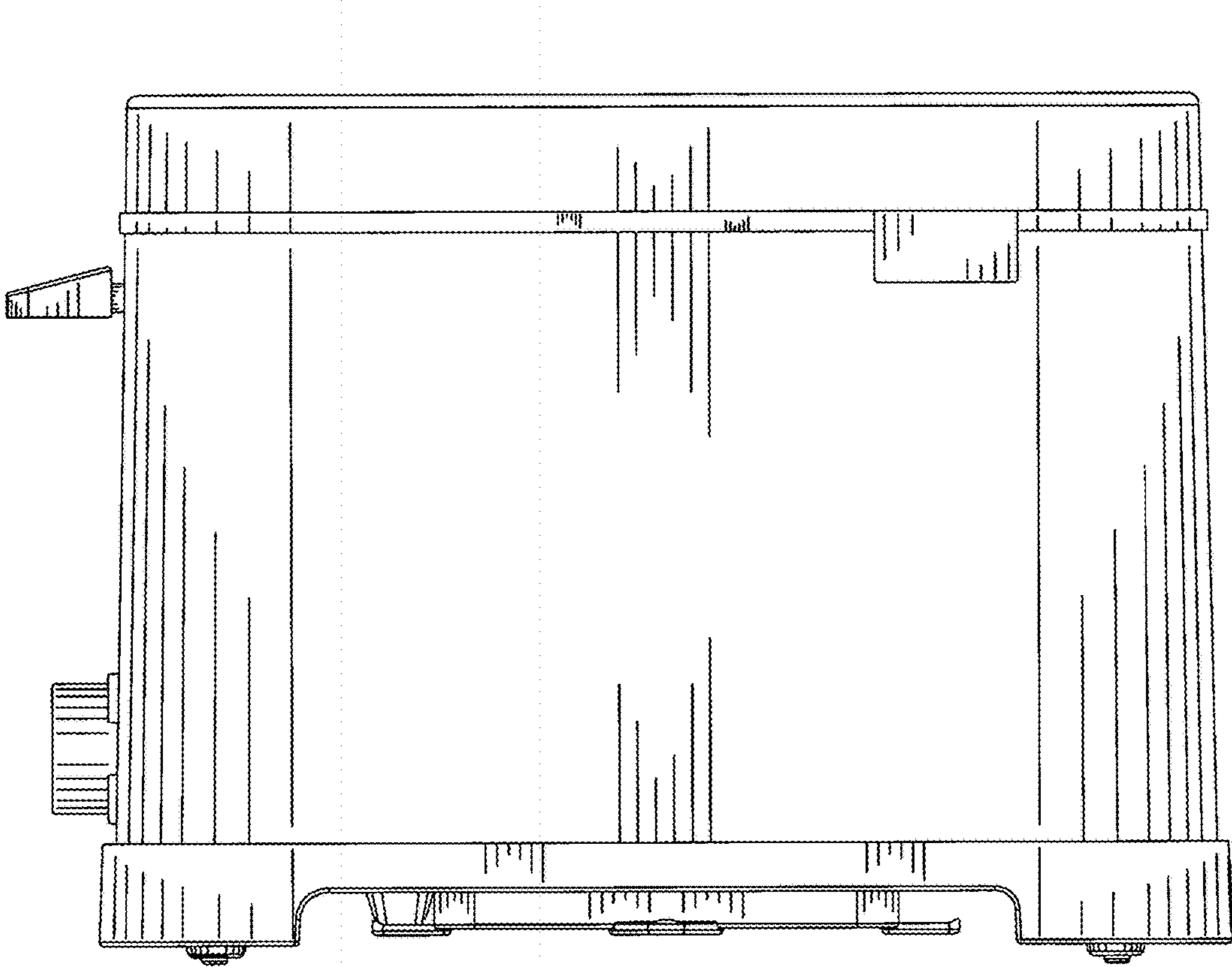


FIG. 1

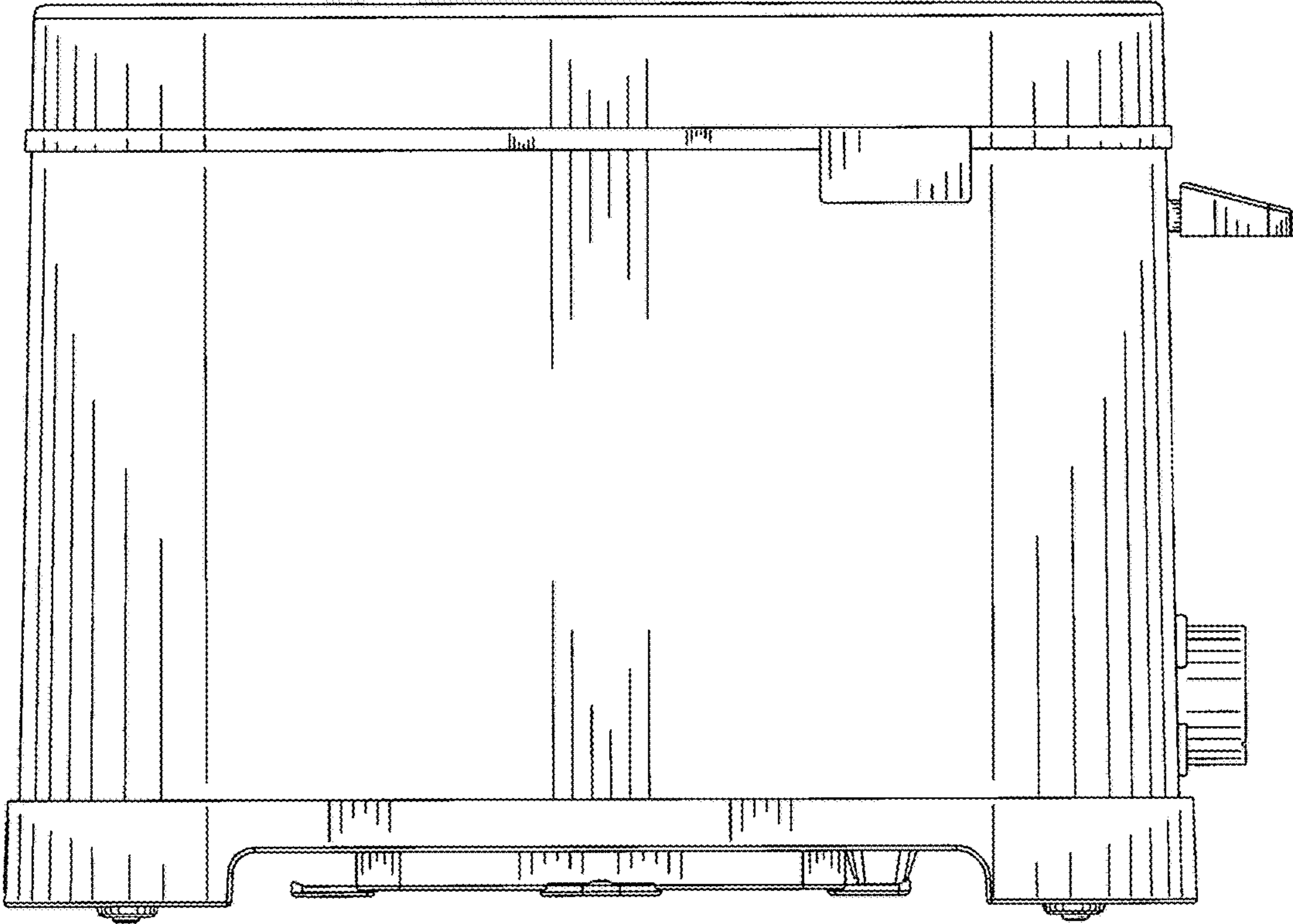


FIG. 2

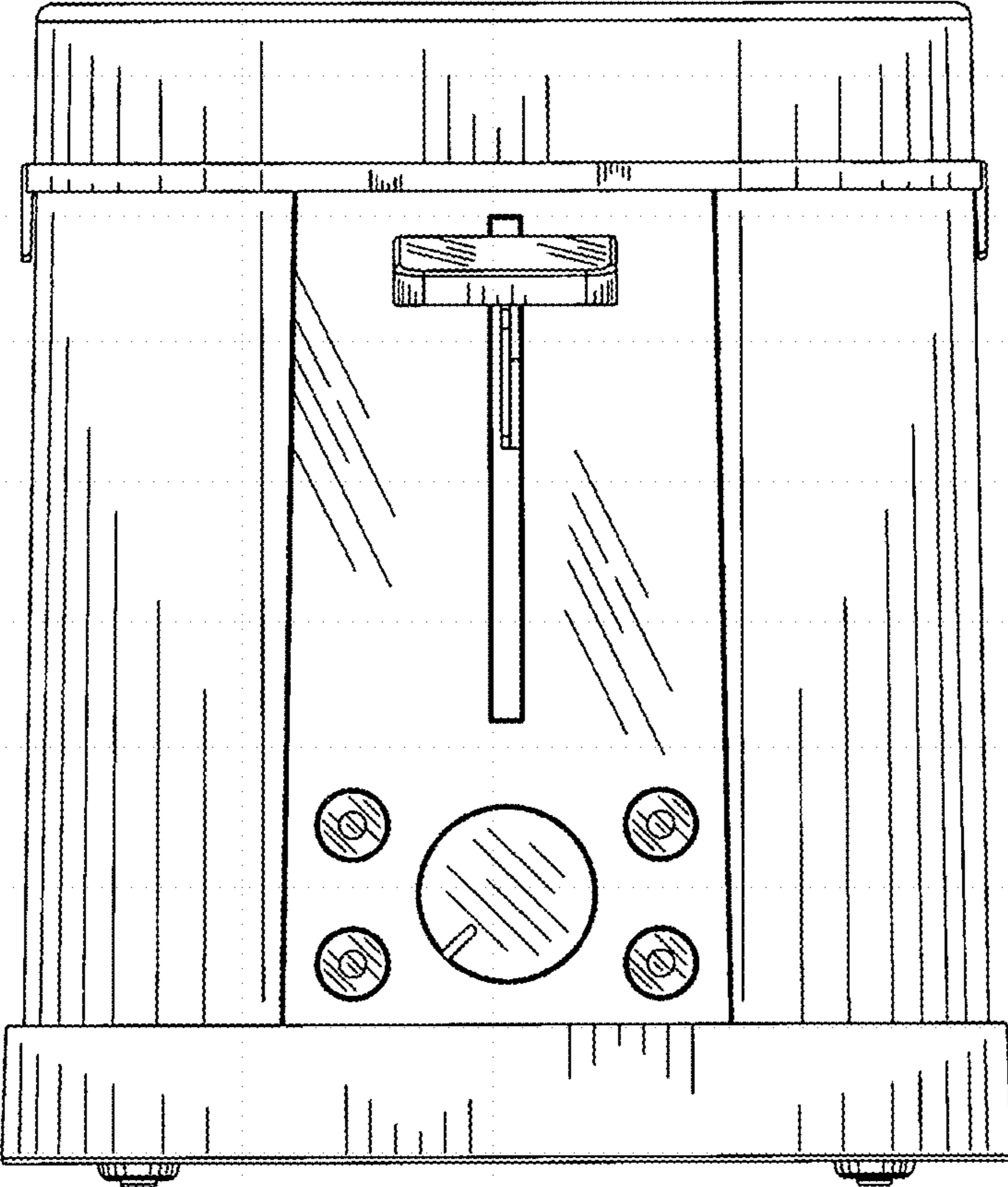


FIG. 3

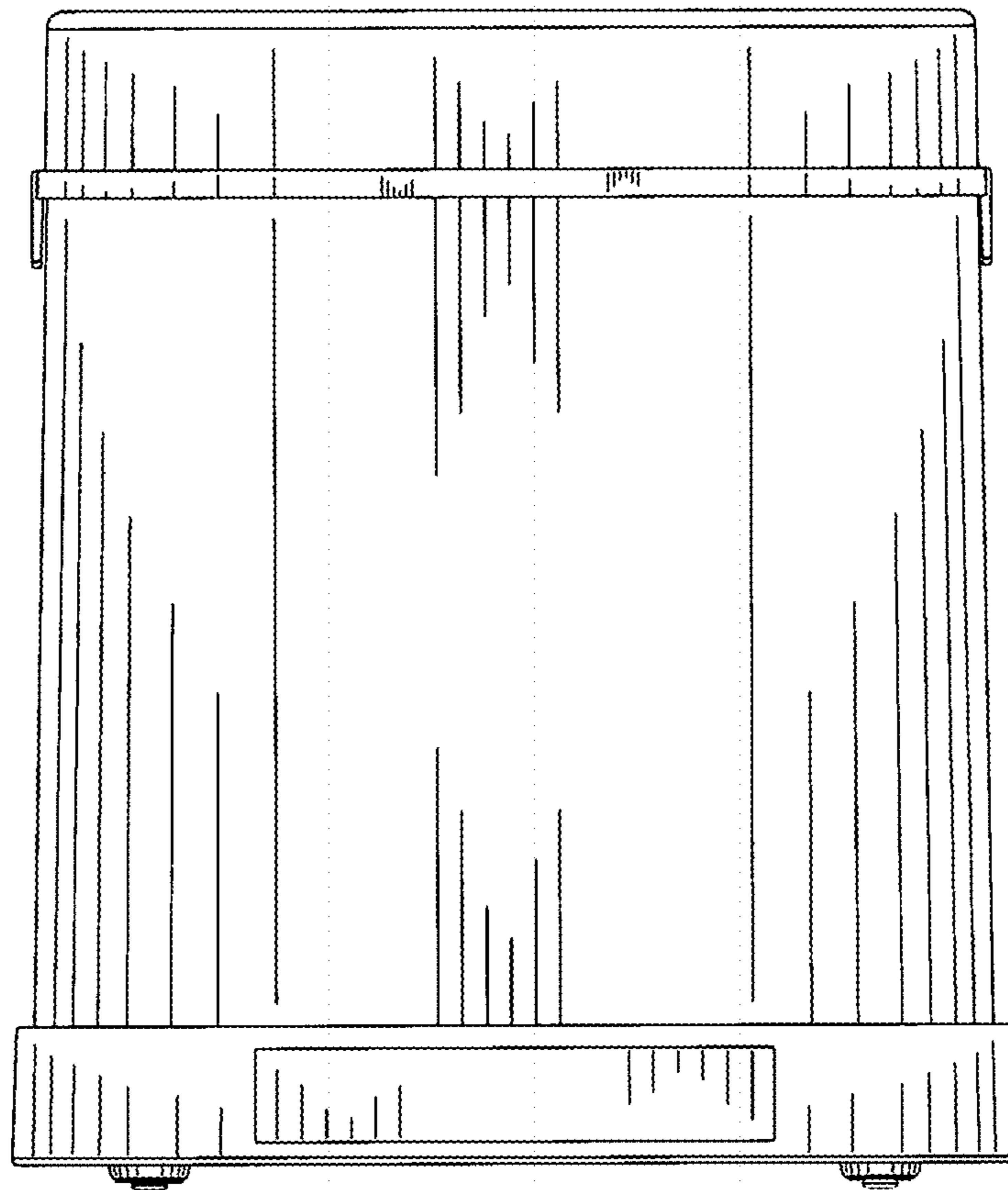


FIG. 4

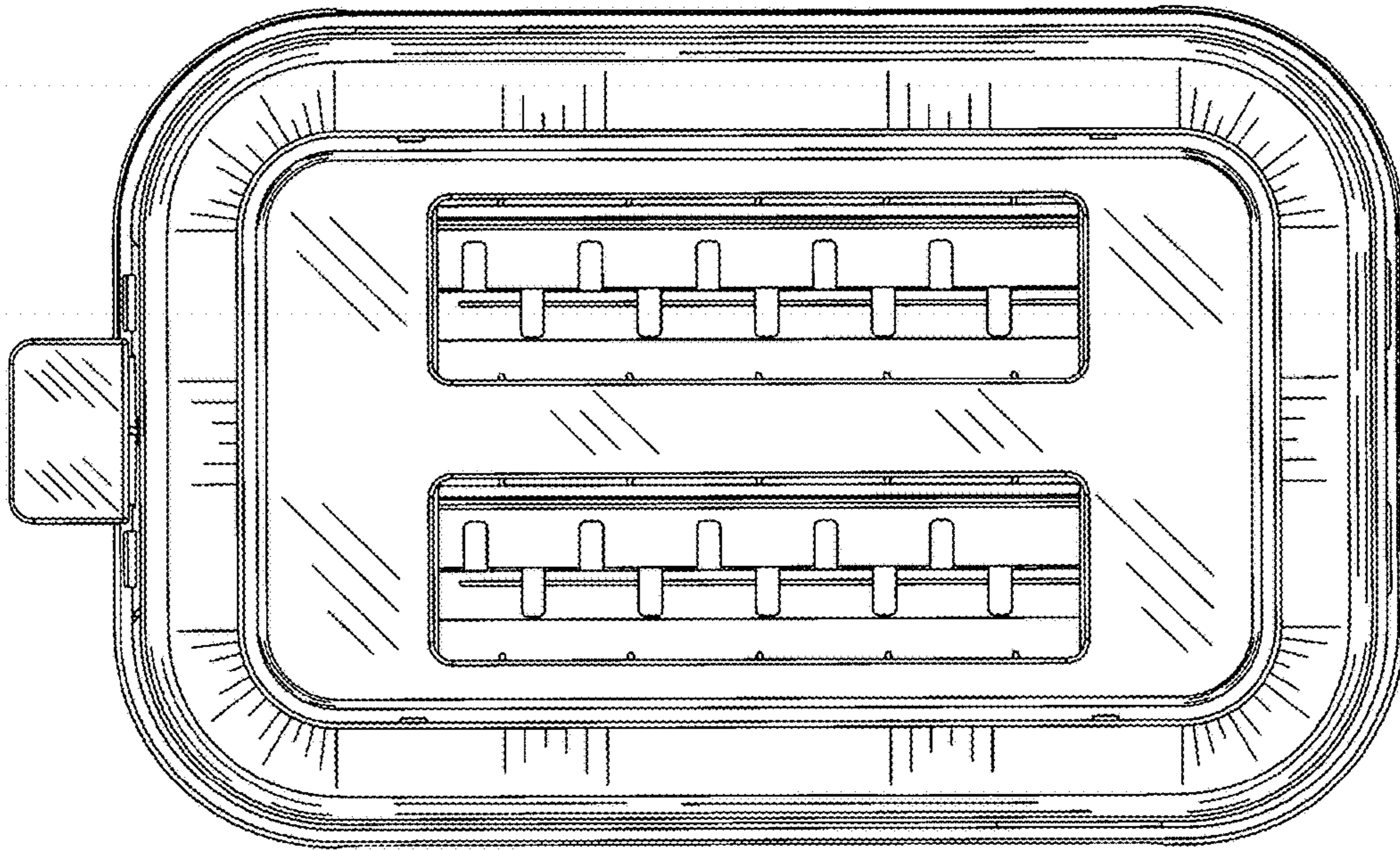


FIG. 5

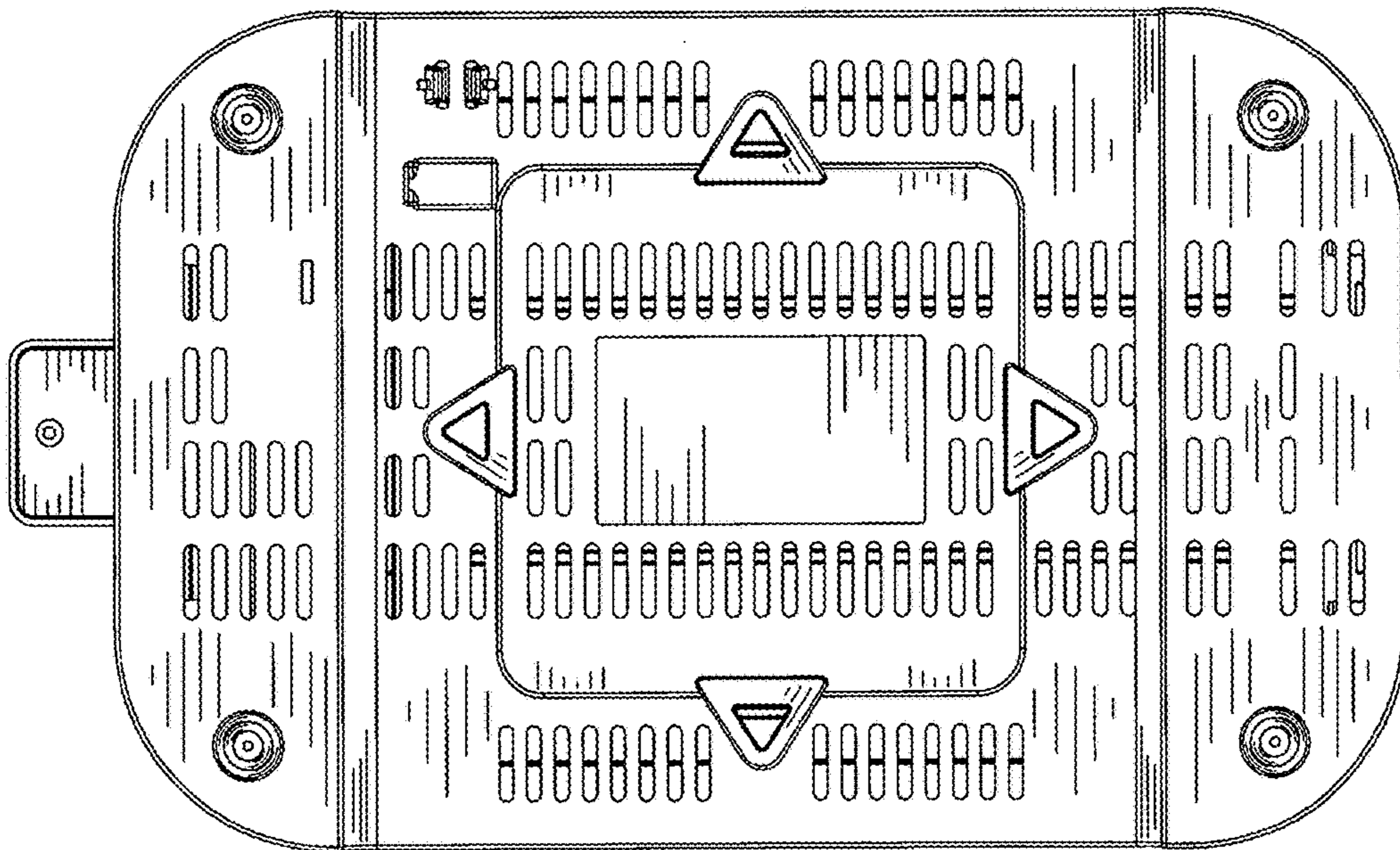


FIG. 6

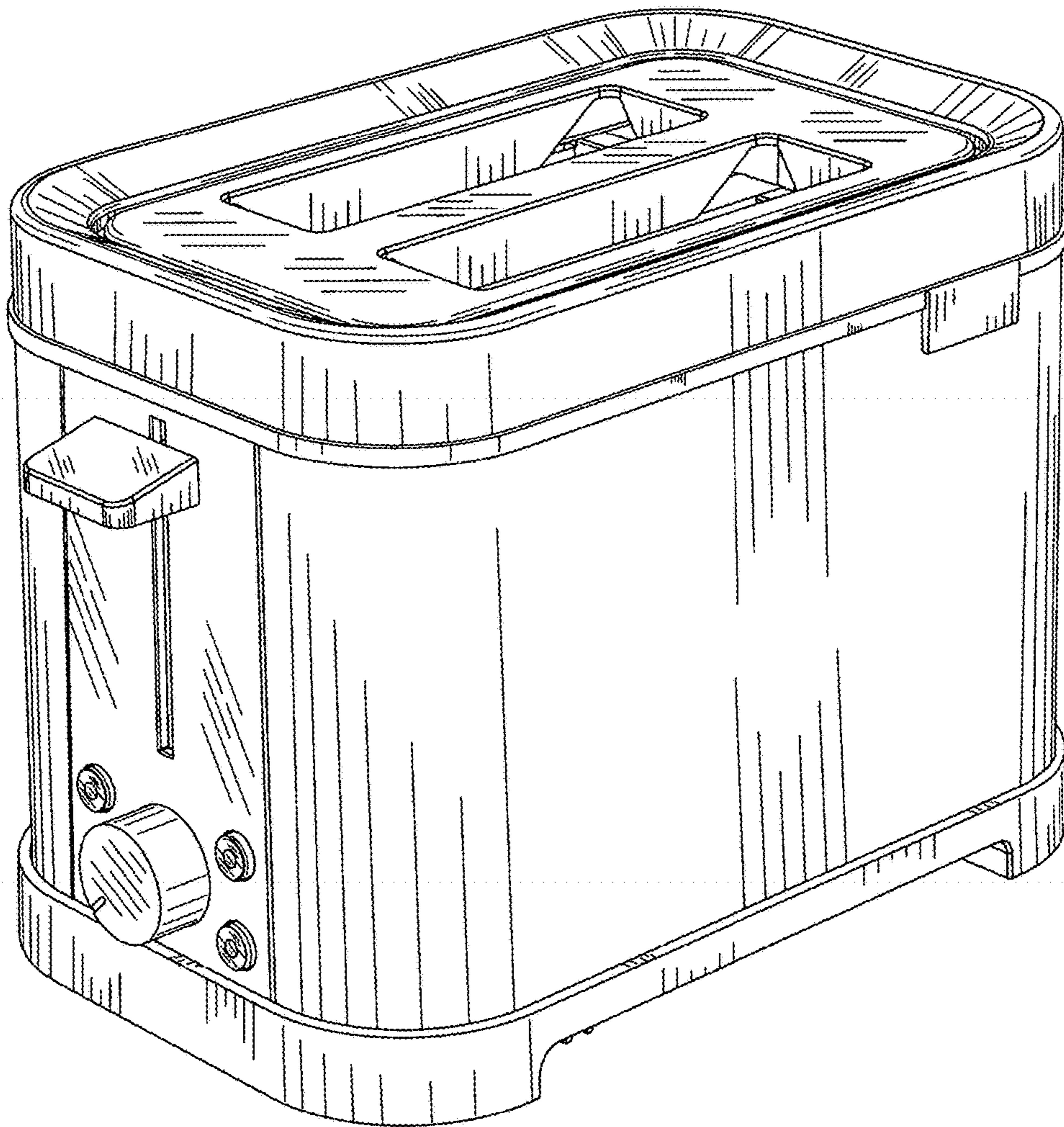


FIG. 7

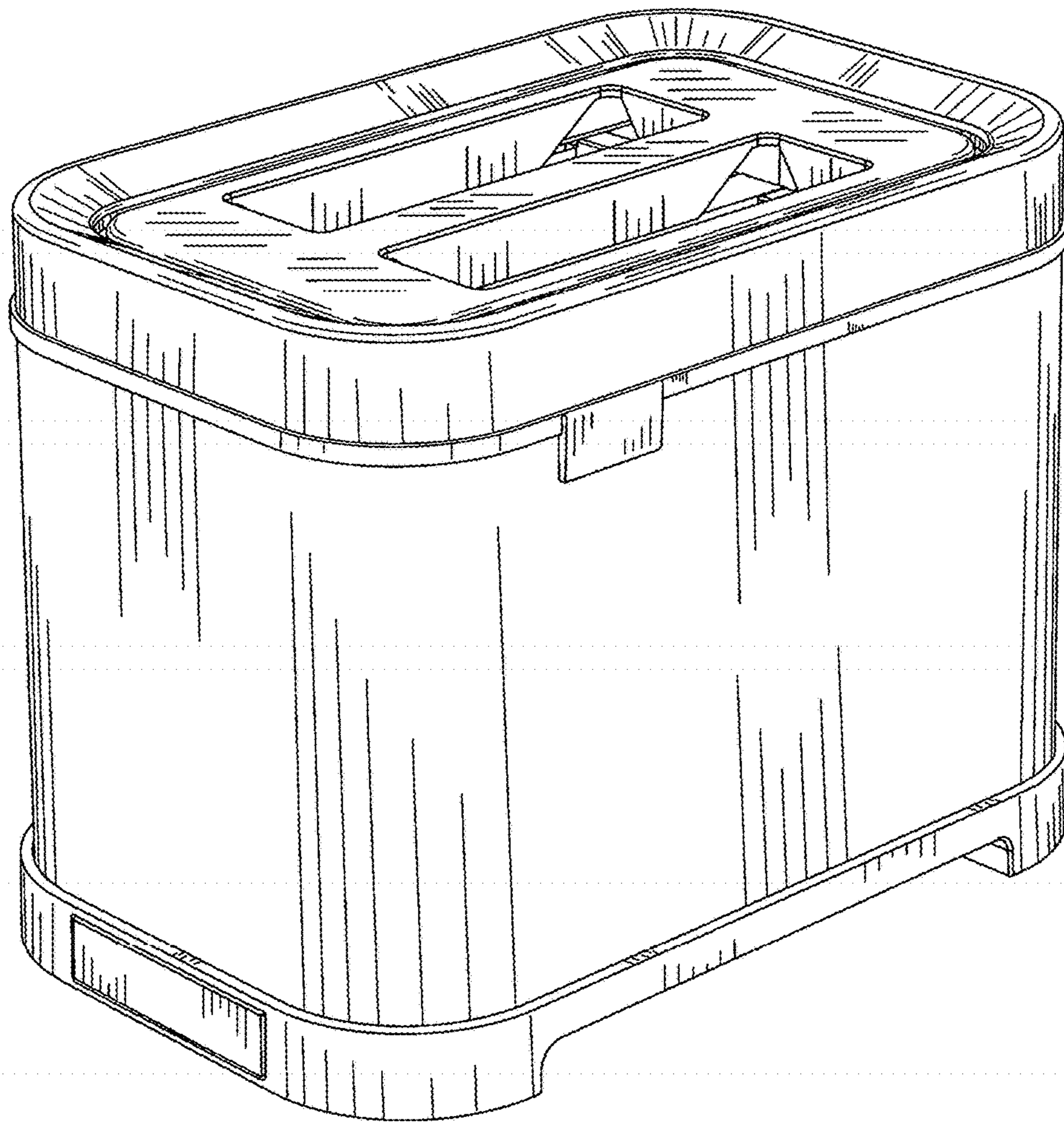


FIG. 8

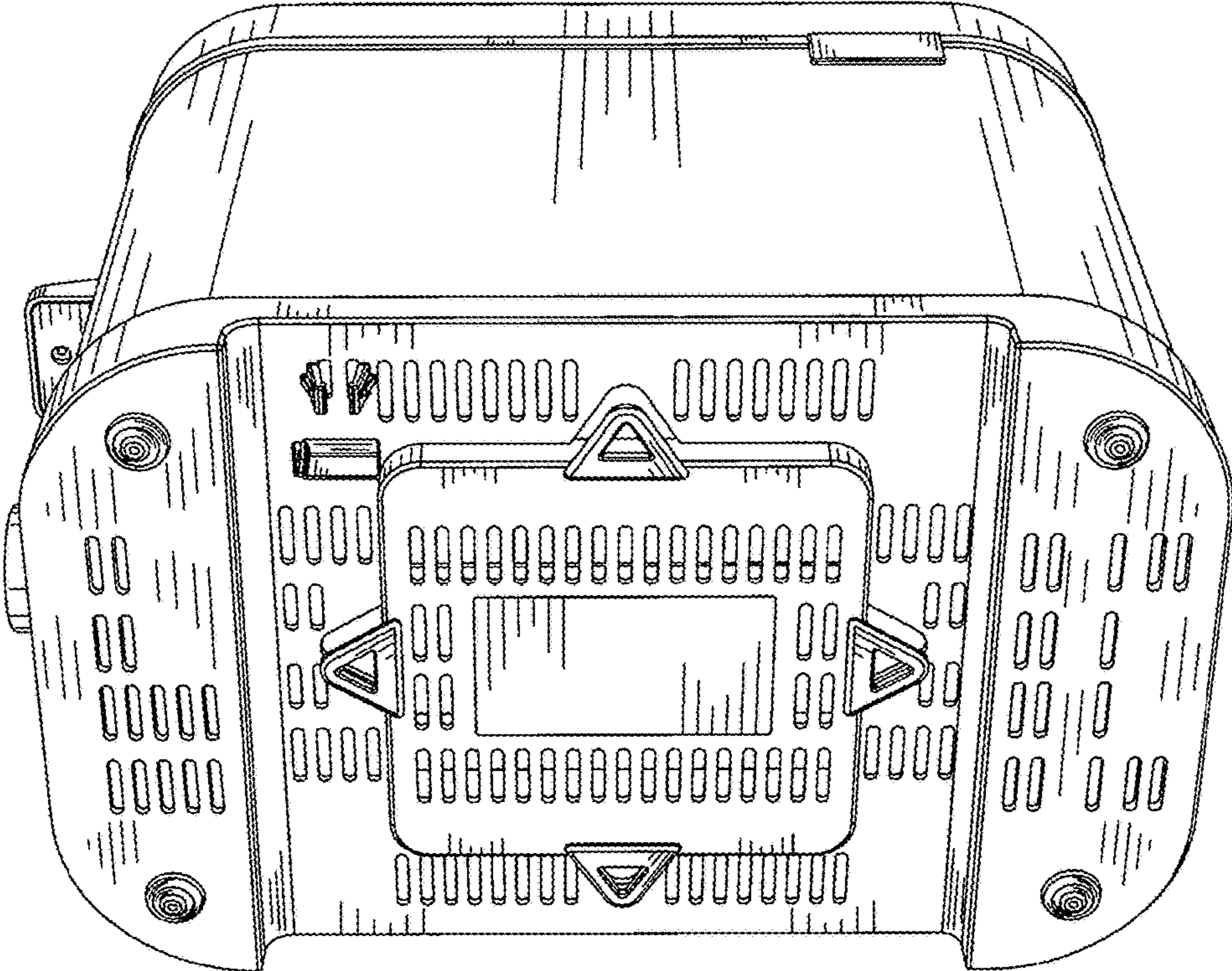


FIG. 9

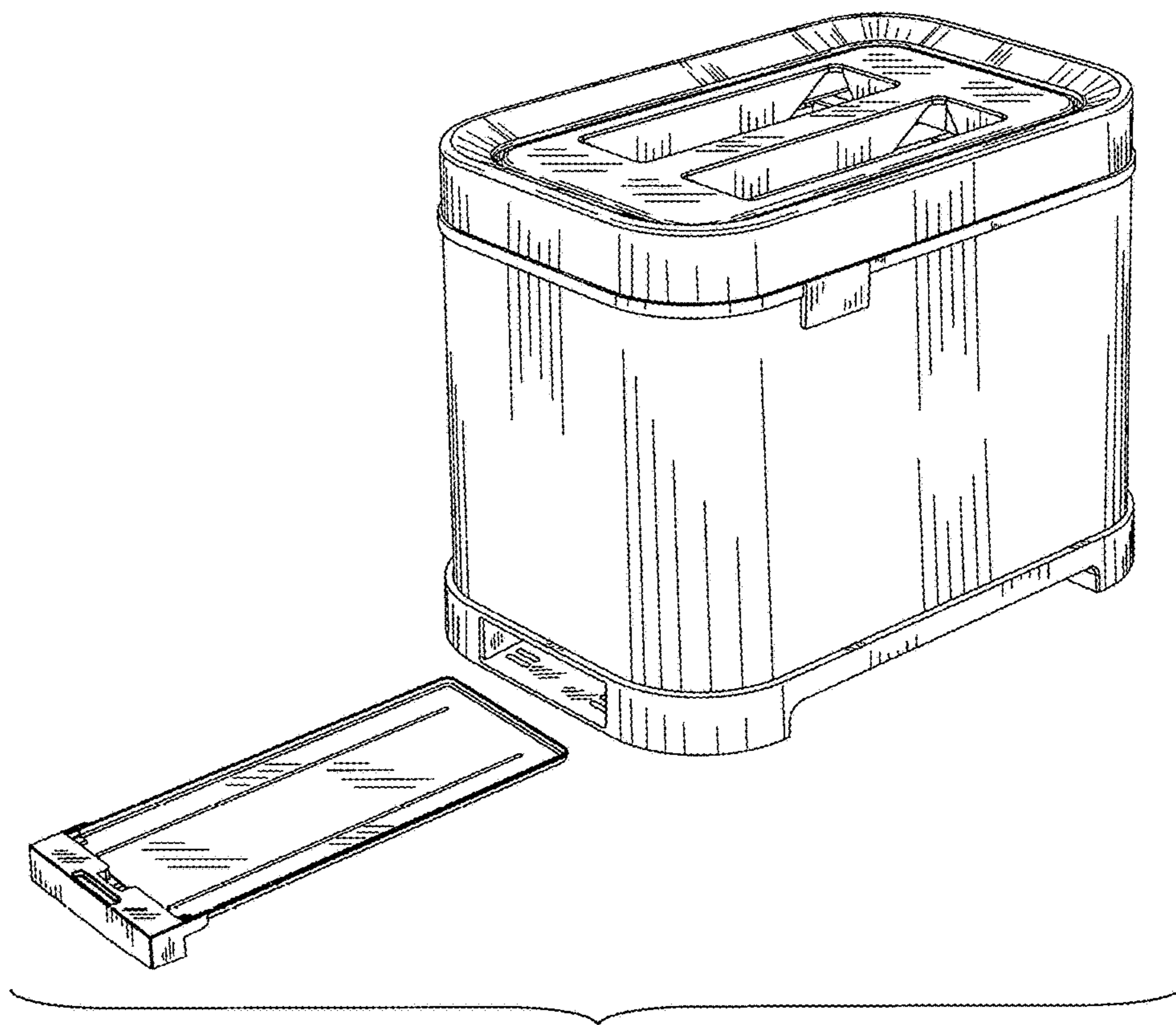


FIG. 10