

US00D807676S

(12) **United States Design Patent**  
**Bodum**

(10) **Patent No.:** **US D807,676 S**  
(45) **Date of Patent:** **\*\* Jan. 16, 2018**

(54) **COFFEE DRIPPER**  
(71) Applicant: **PI-Design AG**, Triengen (CH)  
(72) Inventor: **Jorgen Bodum**, Meggen (CH)  
(73) Assignee: **PI-Design AG**, Triengen (CH)  
(\*\*) Term: **15 Years**  
(21) Appl. No.: **29/590,563**

D565,902 S \* 4/2008 Bodum ..... D7/500  
D584,557 S \* 1/2009 Bodum ..... D7/317  
D587,513 S \* 3/2009 Bodum ..... D7/317  
D730,675 S \* 6/2015 Williams ..... D7/317  
D786,003 S \* 5/2017 Bodum ..... D7/319

\* cited by examiner

*Primary Examiner* — Daniel D Bui  
*Assistant Examiner* — Andrew Kerr  
(74) *Attorney, Agent, or Firm* — McDonnell Boehnen  
Hulbert & Berghoff LLP

(22) Filed: **Jan. 11, 2017**  
(30) **Foreign Application Priority Data**

(57) **CLAIM**

The ornamental design for a coffee dripper, as shown and described.

Jul. 12, 2016 (WO) ..... DM/091922

**DESCRIPTION**

(51) **LOC (11) Cl.** ..... **07-01**  
(52) **U.S. Cl.**  
USPC ..... **D7/318**; D9/516; D9/528  
(58) **Field of Classification Search**  
USPC ..... D7/316–321, 378, 384, 598, 600, 619.1,  
D7/622; D9/544, 545, 548, 549  
CPC ..... A47J 31/00; A47G 19/22  
See application file for complete search history.

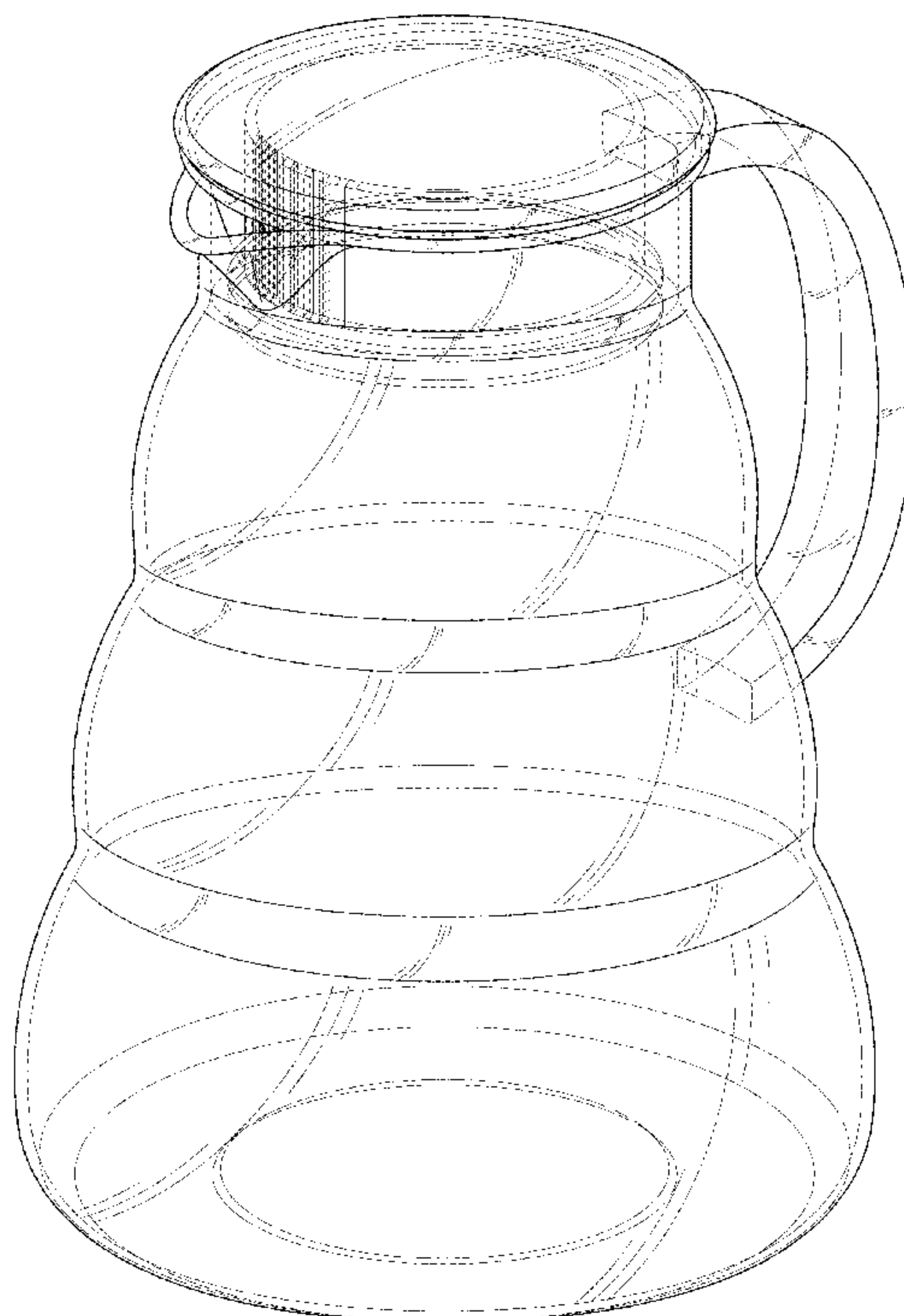
FIG. 1 is a first embodiment of a coffee dripper in a perspective view, showing my new design;  
FIG. 2 is a front view thereof;  
FIG. 3 is a rear view thereof;  
FIG. 4 is a left side view thereof;  
FIG. 5 is a right side view thereof;  
FIG. 6 is a top view thereof;  
FIG. 7 is a bottom view thereof;  
FIG. 8 is a second embodiment of a coffee dripper in a perspective view, showing my new design;  
FIG. 9 is a front view thereof;  
FIG. 10 is a rear view thereof;  
FIG. 11 is a left side view thereof;  
FIG. 12 is a right side view thereof;  
FIG. 13 is a top view thereof; and,  
FIG. 14 is a bottom view thereof.

(56) **References Cited**

**U.S. PATENT DOCUMENTS**

2,747,387 A \* 5/1956 Sweem ..... A47G 19/2205  
215/382  
D227,134 S \* 6/1973 Gulotta ..... D7/536  
D347,763 S \* 6/1994 Kleckauskas ..... D7/510  
D479,090 S \* 9/2003 Backes ..... D7/316  
D553,910 S \* 10/2007 Bodum ..... D7/509  
D553,911 S \* 10/2007 Bodum ..... D7/509

**1 Claim, 14 Drawing Sheets**



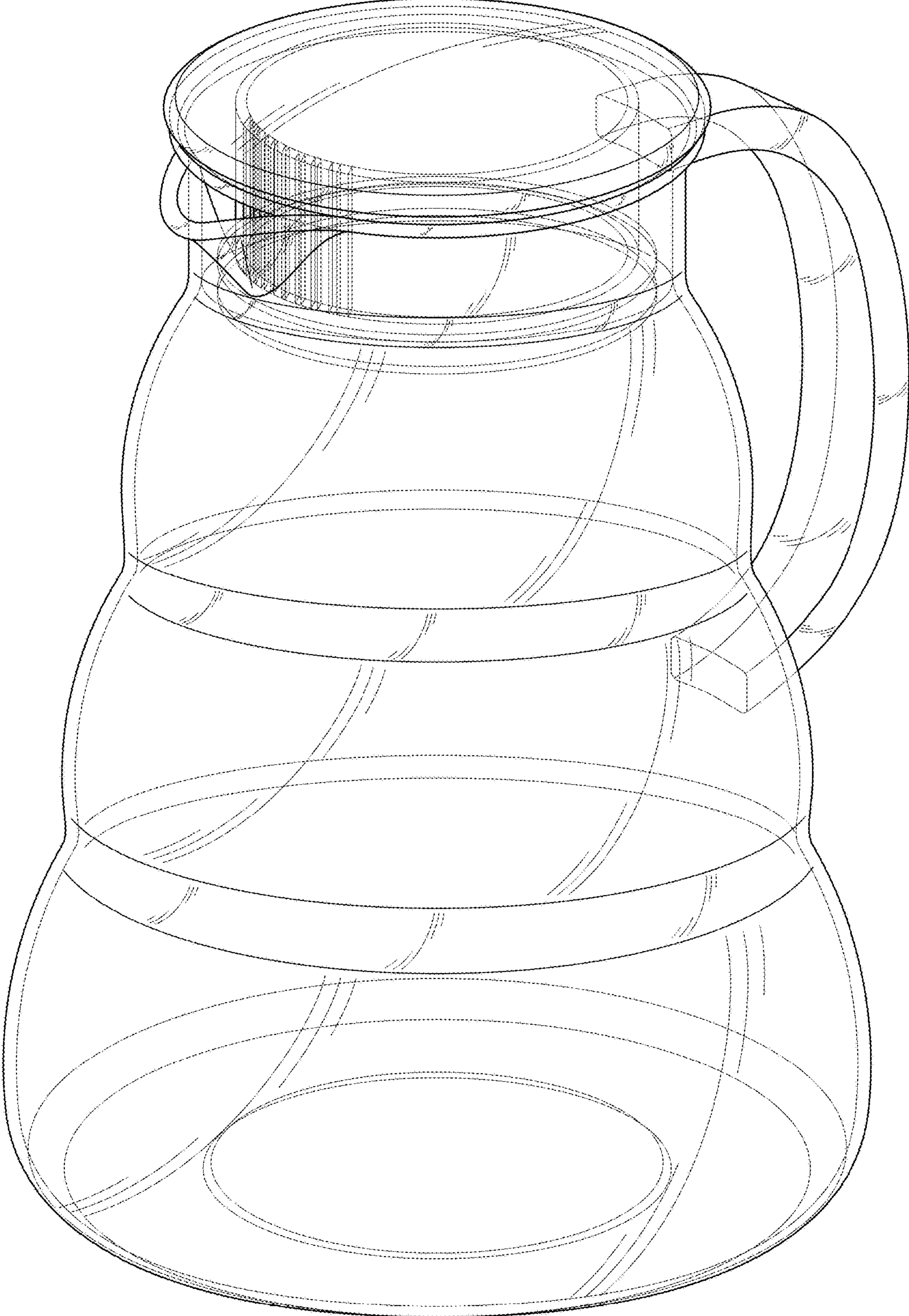


FIG. 1

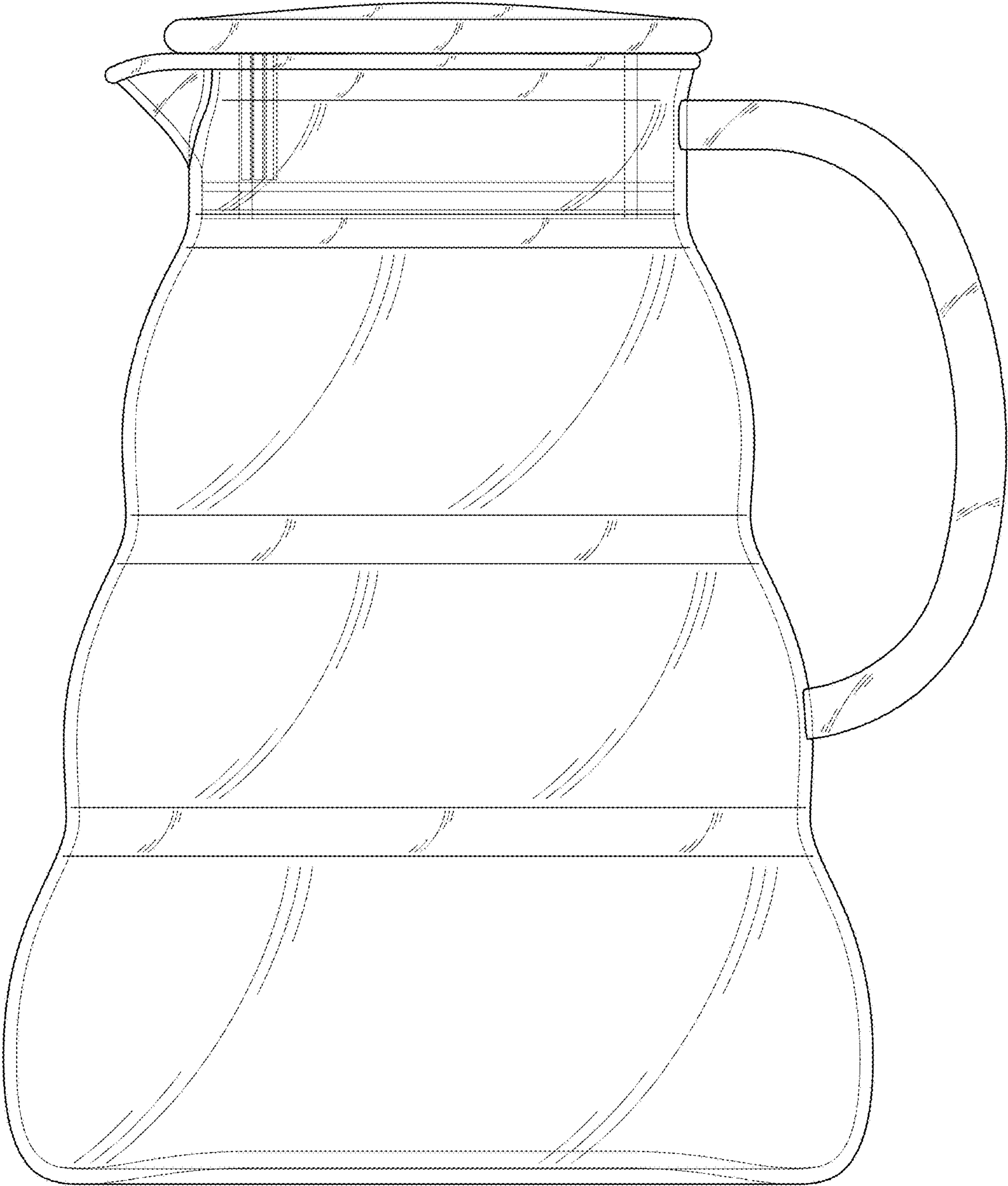


FIG. 2



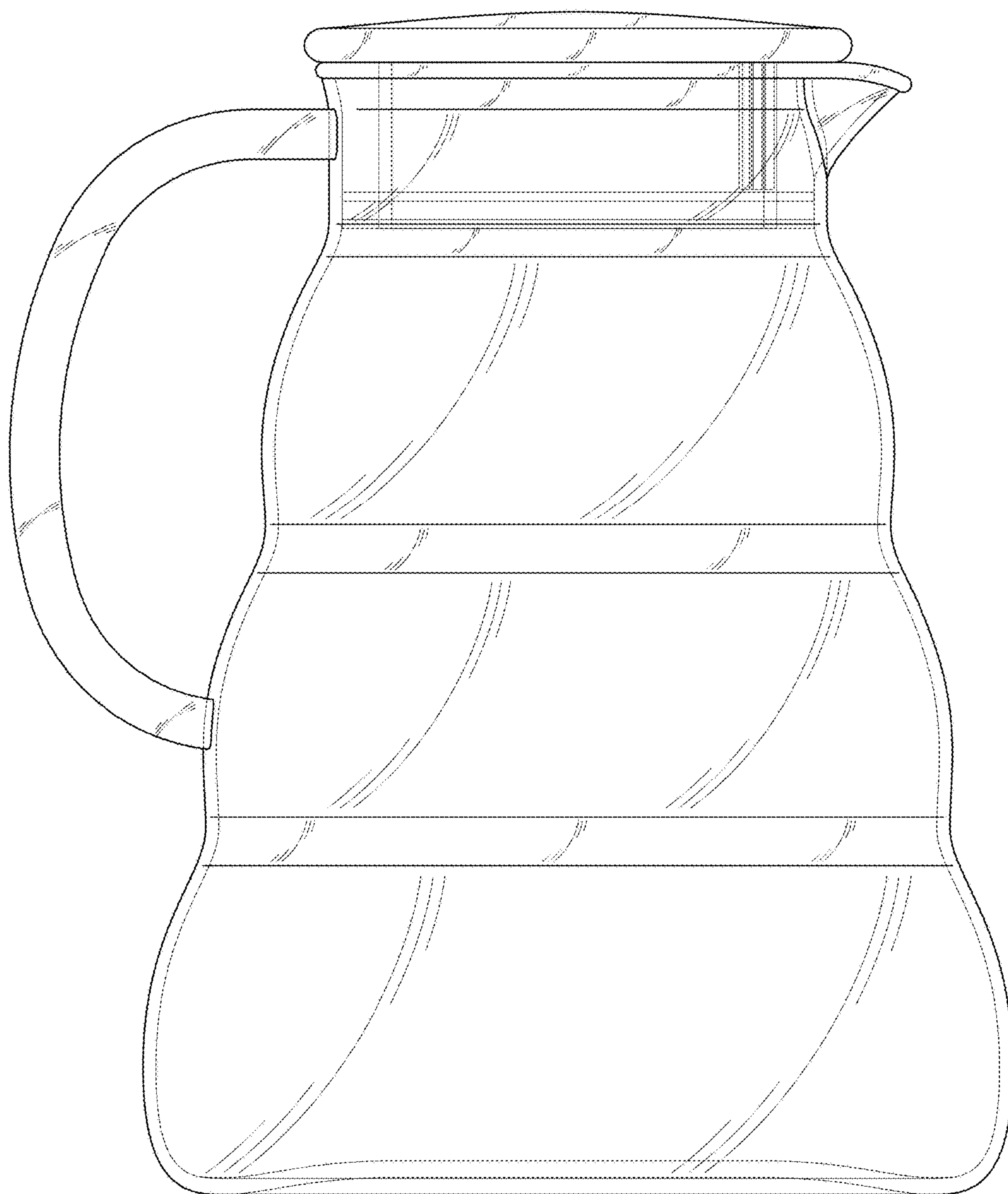


FIG. 3

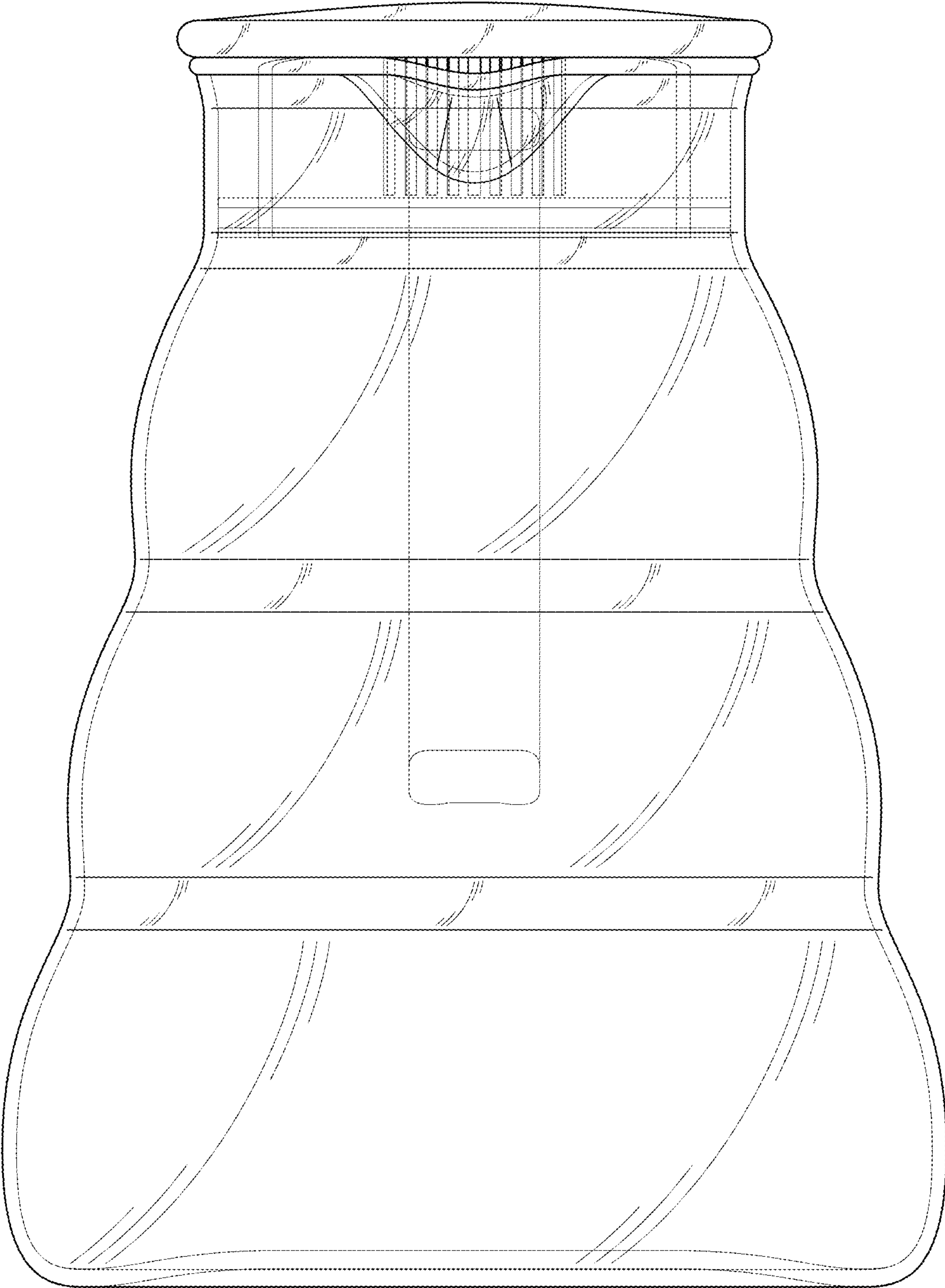


FIG. 4

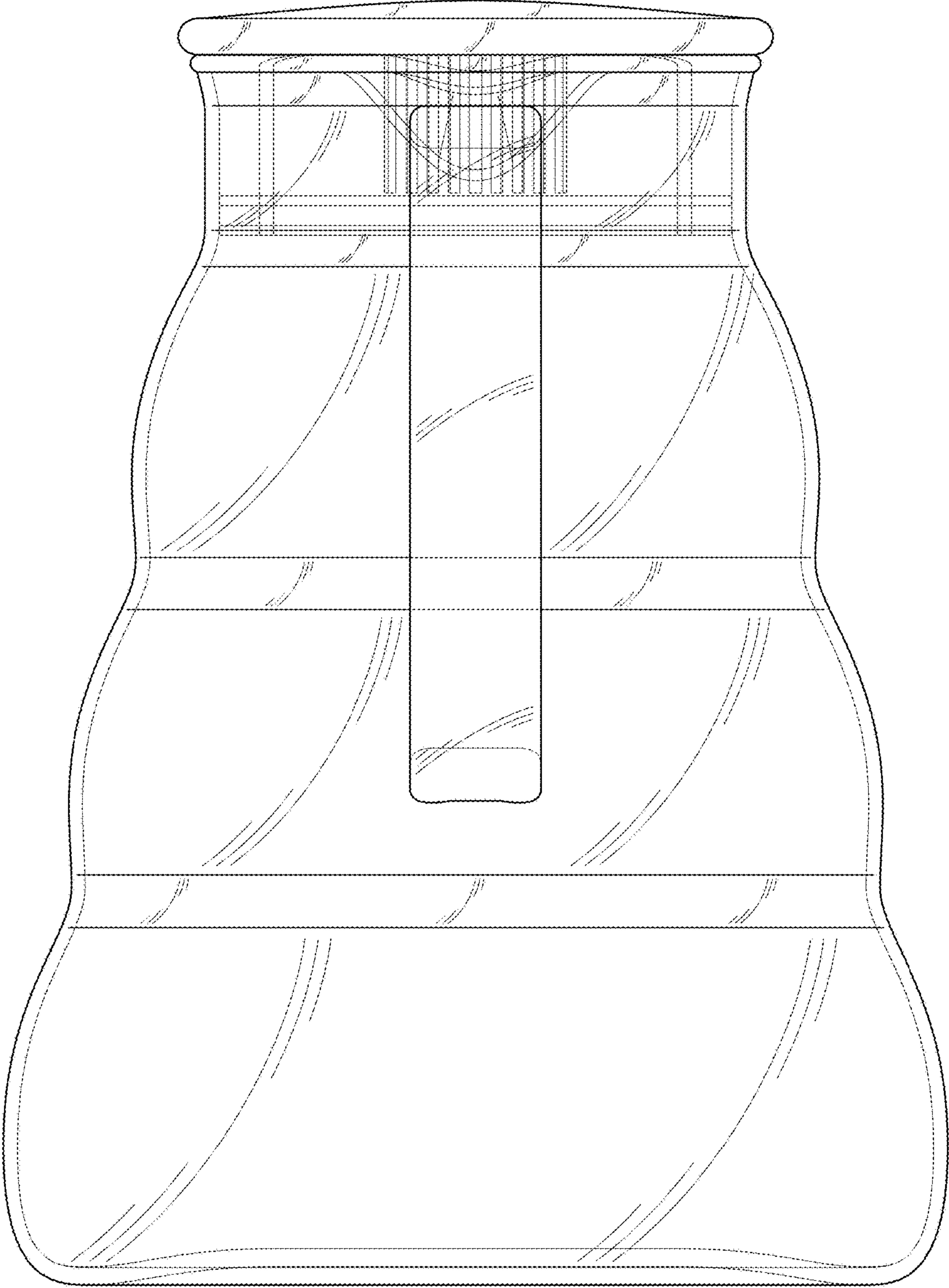


FIG. 5

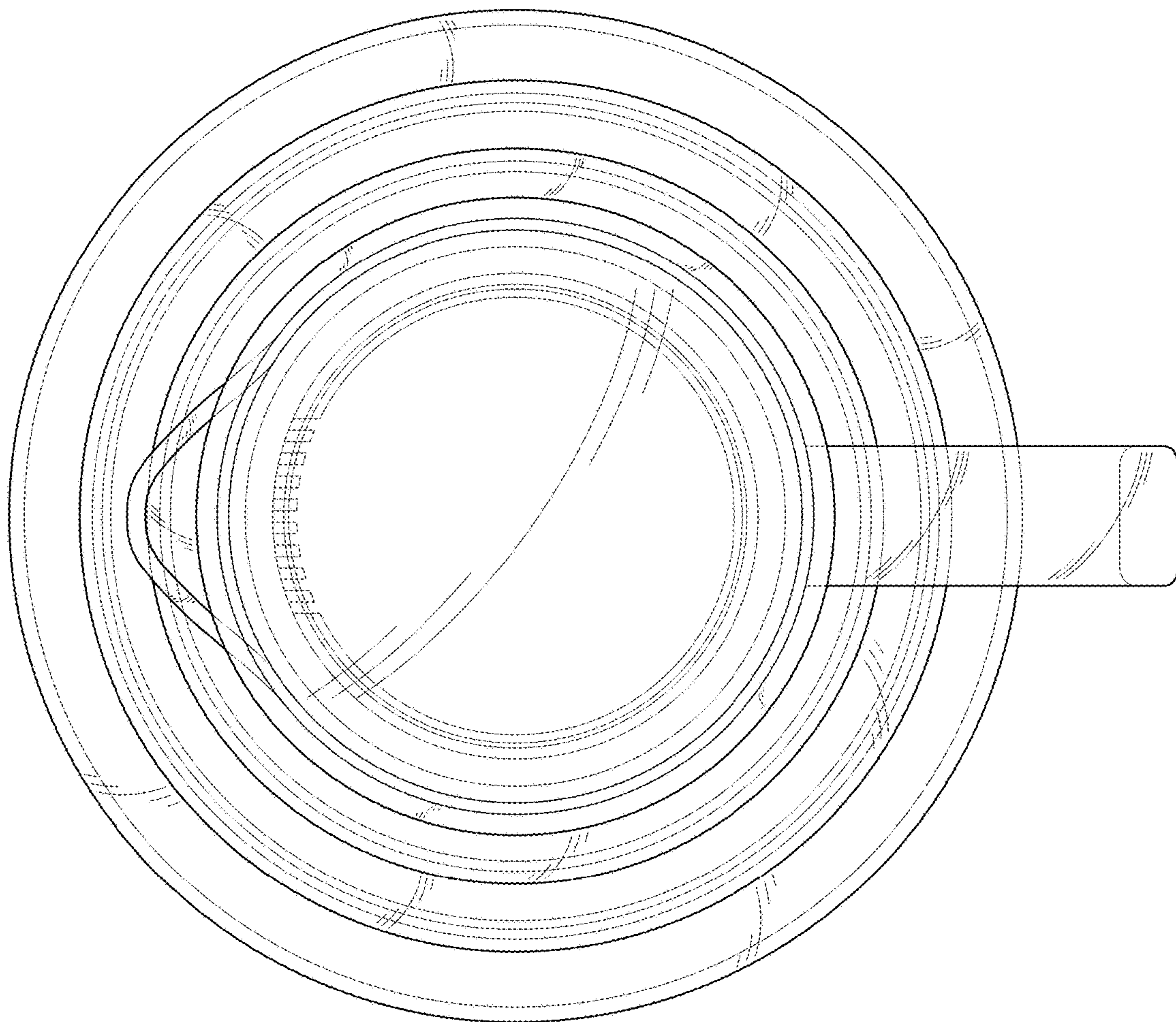


FIG. 6



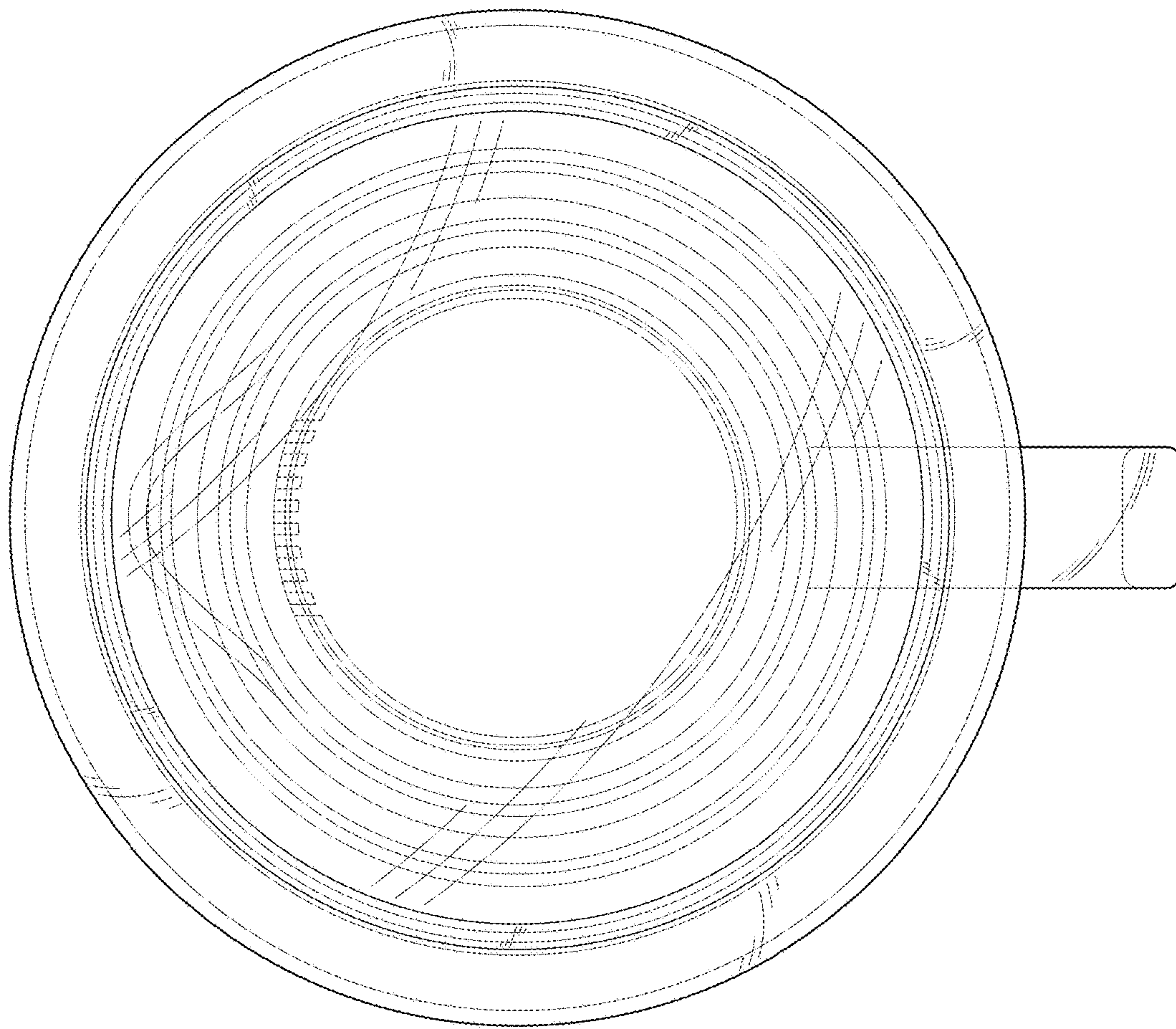


FIG. 7



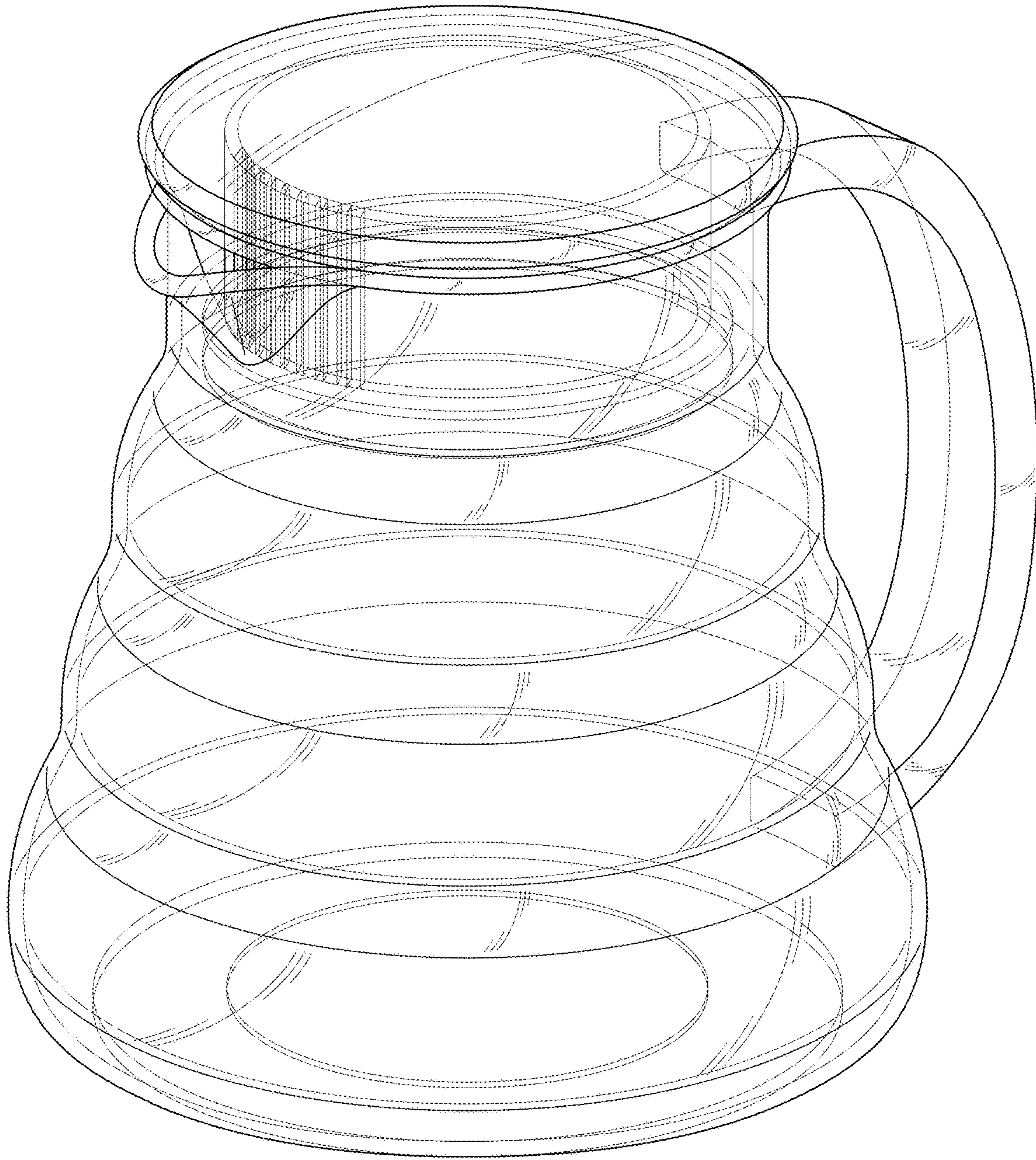


FIG. 8

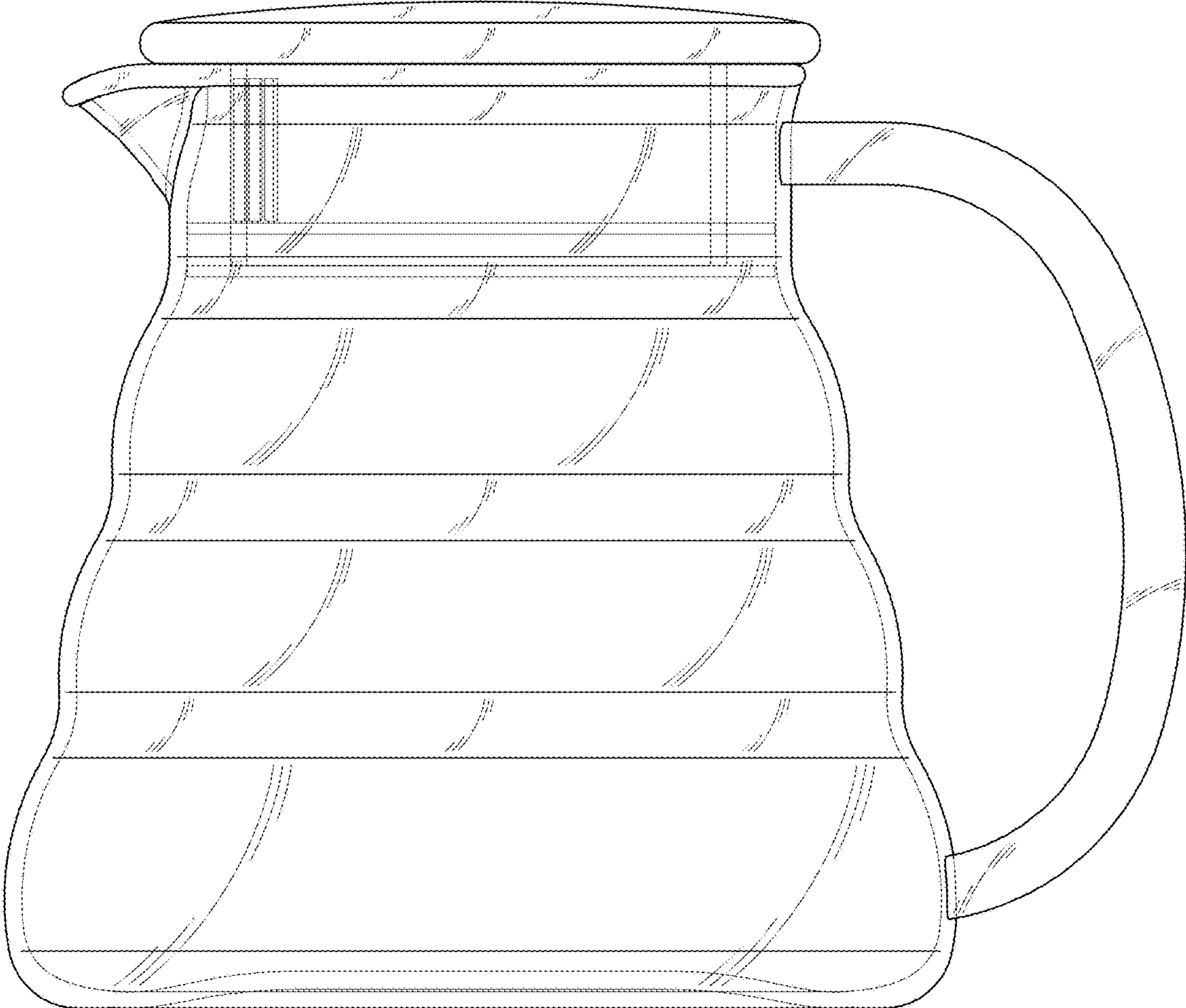


FIG. 9

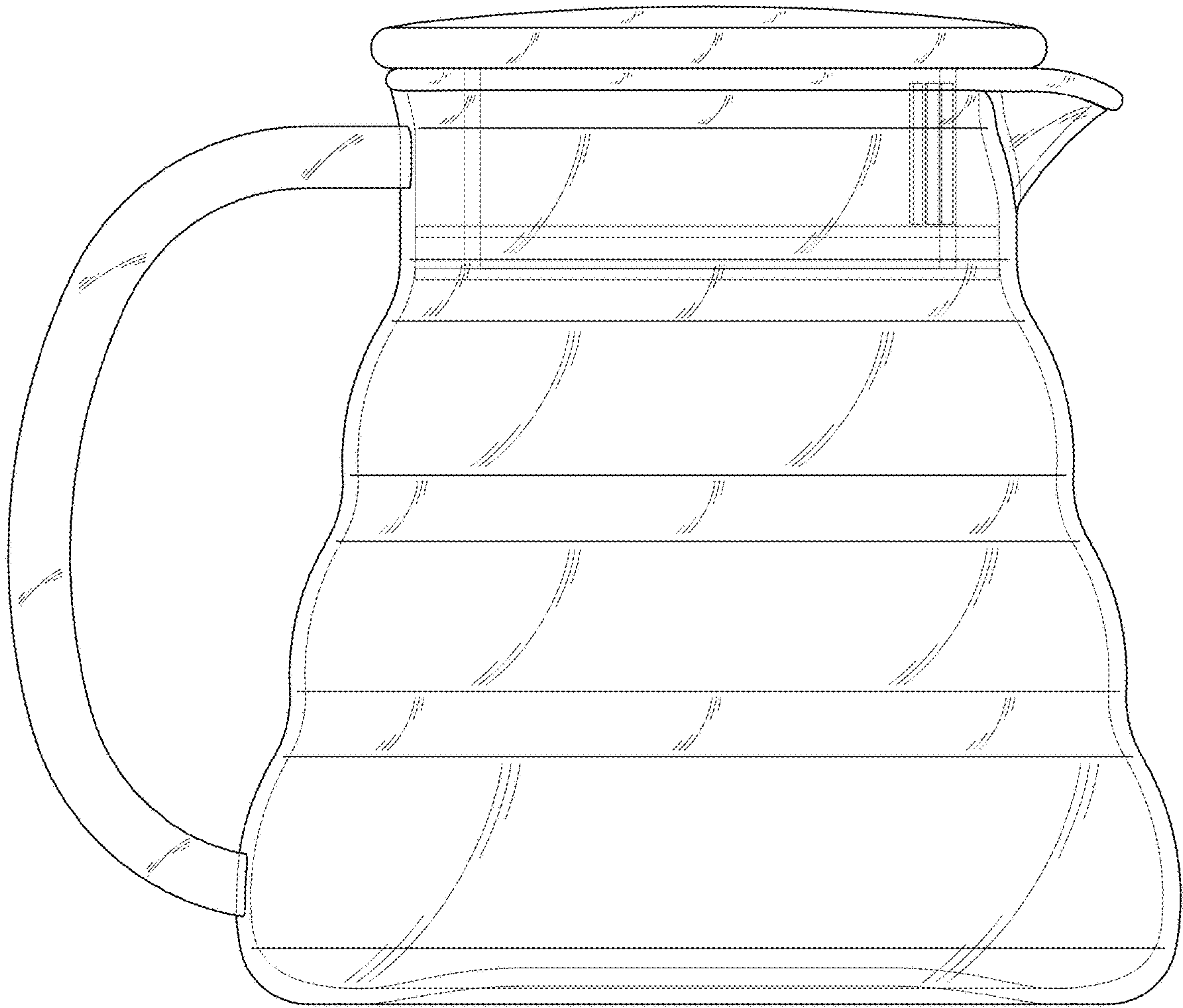


FIG. 10



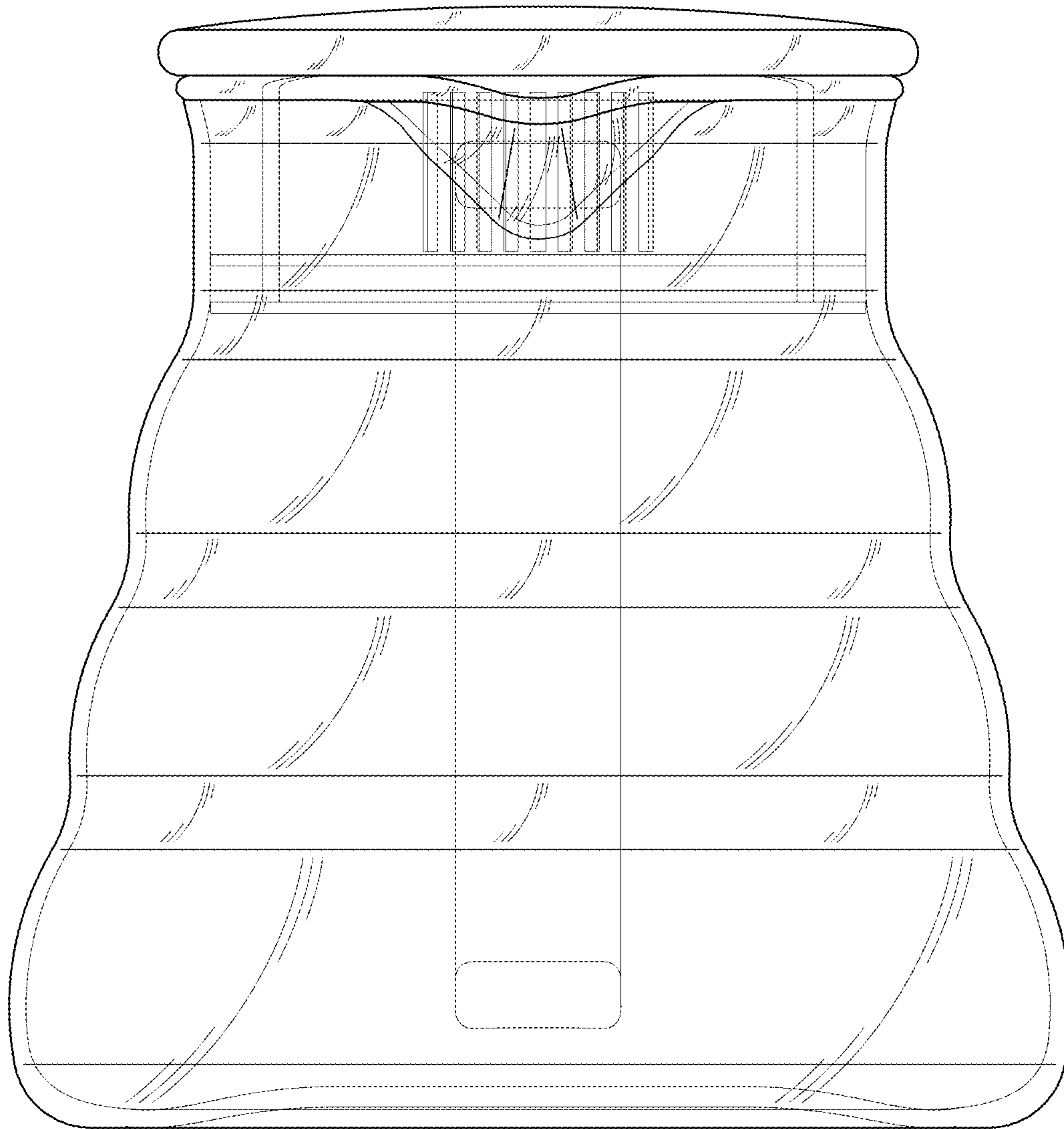


FIG. 11

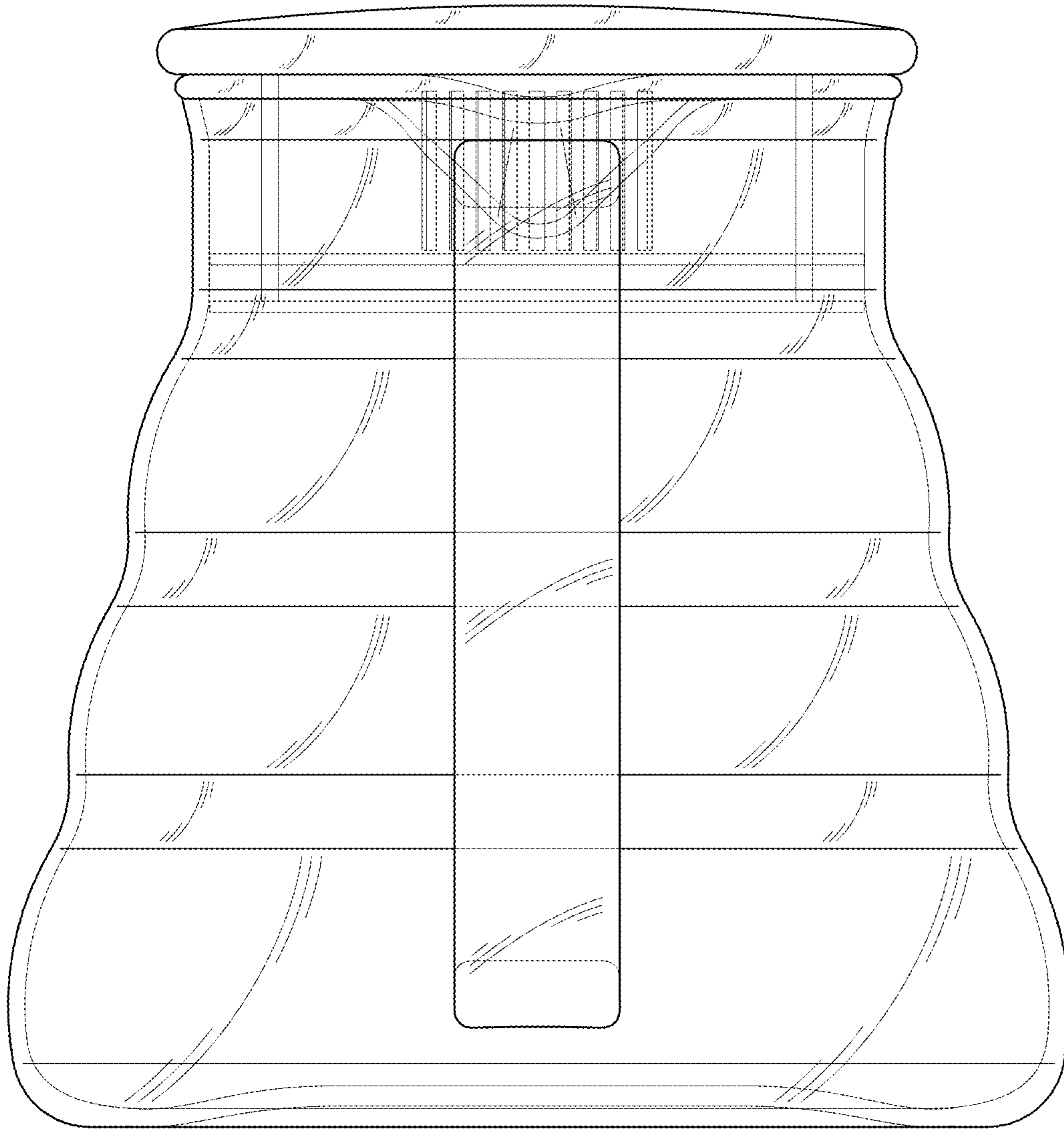


FIG. 12

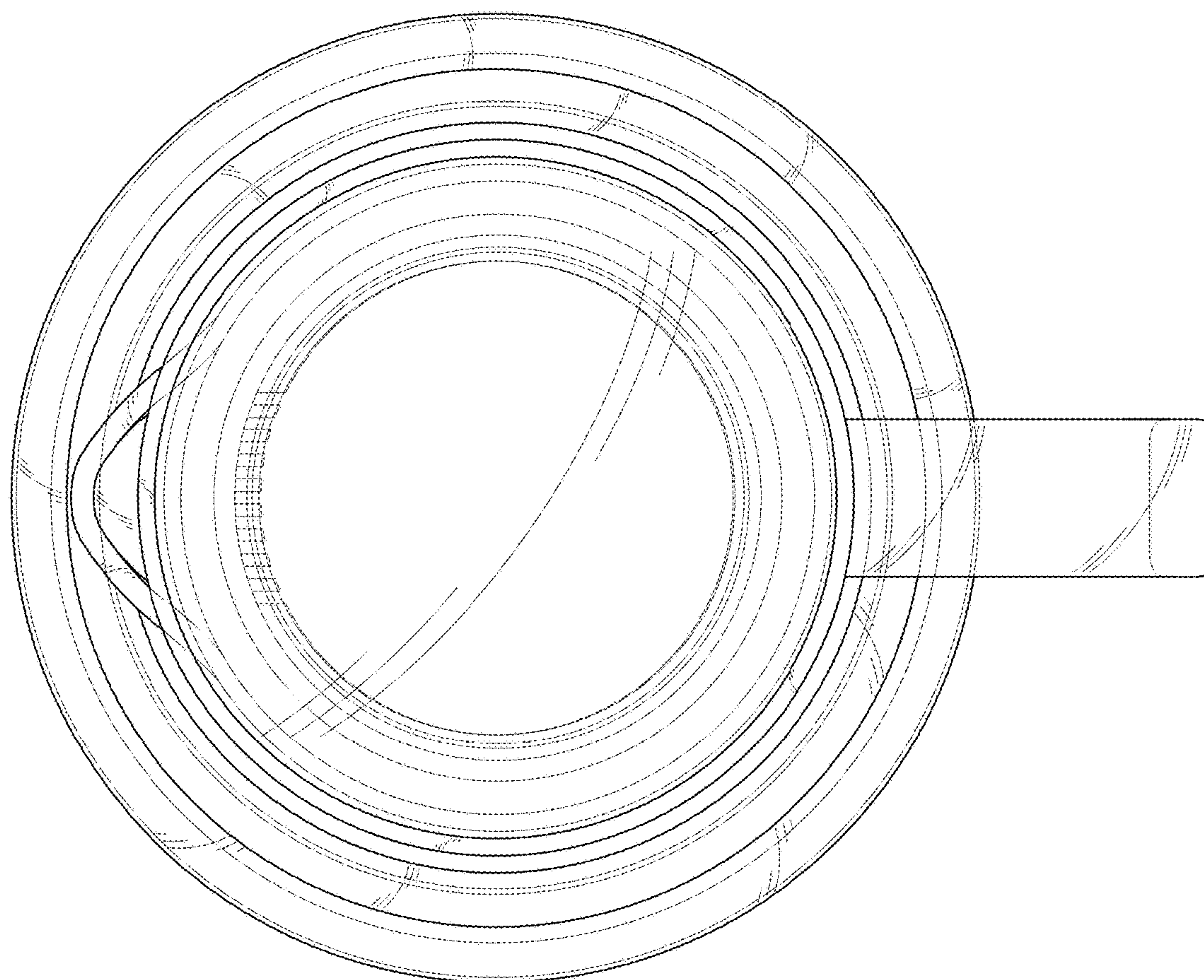


FIG. 13



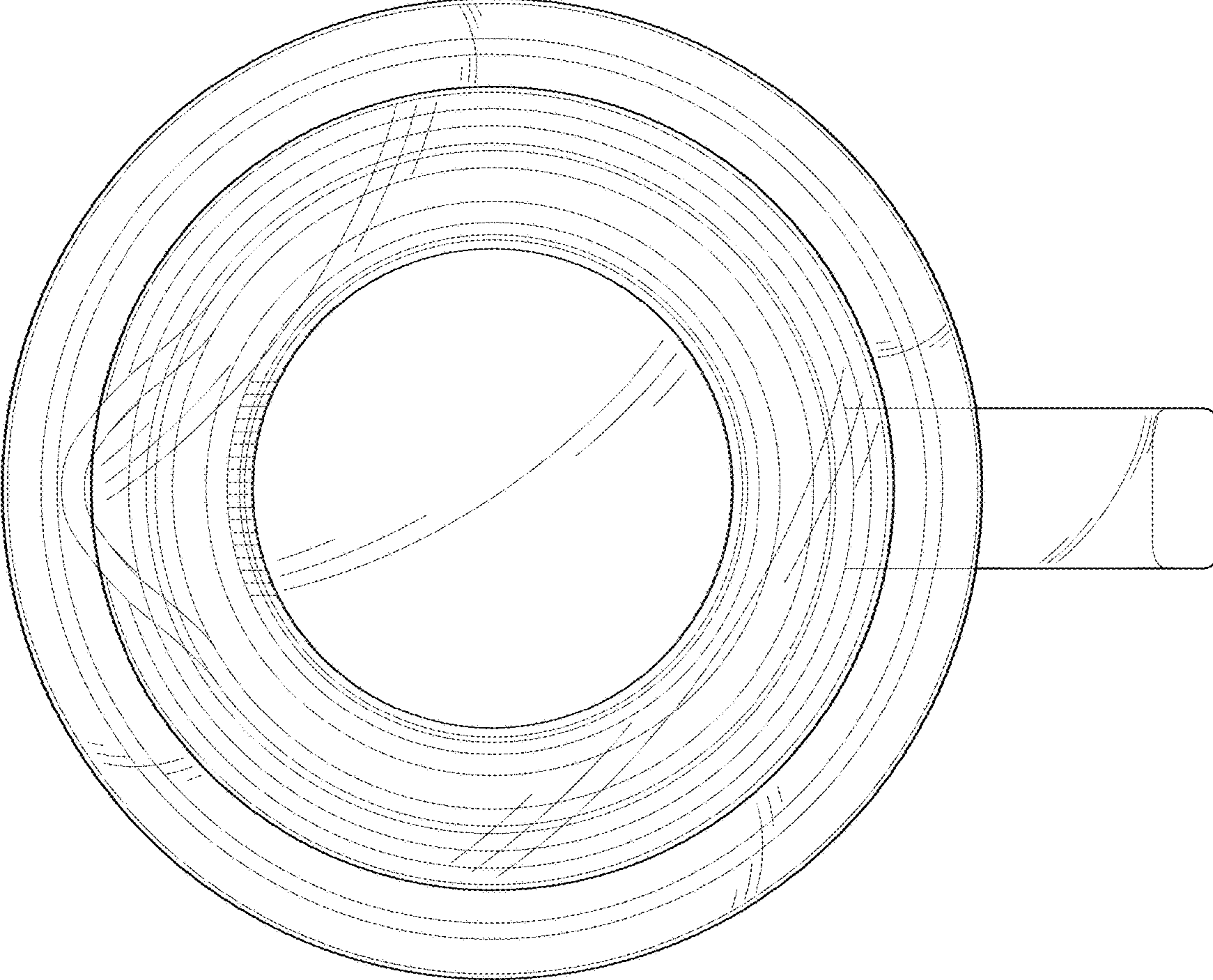


FIG. 14