

US00D807674S

(12) **United States Design Patent**
Floco

(10) **Patent No.:** **US D807,674 S**
(45) **Date of Patent:** **** Jan. 16, 2018**

- (54) **LIGHTED HEADBOARD**
- (71) Applicant: **PierPoint, Inc.**, San Diego, CA (US)
- (72) Inventor: **Ried Floco**, San Diego, CA (US)
- (73) Assignee: **PierPoint, Inc.**, San Diego, CA (US)
- (**) Term: **15 Years**
- (21) Appl. No.: **29/601,162**
- (22) Filed: **Apr. 19, 2017**
- (51) **LOC (11) Cl.** **06-06**
- (52) **U.S. Cl.**
USPC **D6/718.3**
- (58) **Field of Classification Search**
USPC D6/382-384, 393-395, 718, 718.13,
D6/718.14, 718.22, 718.23
CPC A47C 21/003; A47C 19/00; A47C 19/02;
A47C 19/022; A47C 19/22
See application file for complete search history.

- D231,881 S * 6/1974 Carter D6/718.22
- D499,587 S * 12/2004 Cook D6/718.23
- D526,140 S * 8/2006 Cook D6/393
- D564,779 S * 3/2008 Novak D6/393
- D608,560 S * 1/2010 Chen D6/384
- D664,373 S * 7/2012 Pamudji D6/393

* cited by examiner

Primary Examiner — Cathron C Brooks
(74) *Attorney, Agent, or Firm* — Eleanor Musick; Musick Davison LLP

(57) **CLAIM**

The ornamental design for a lighted headboard, as shown.

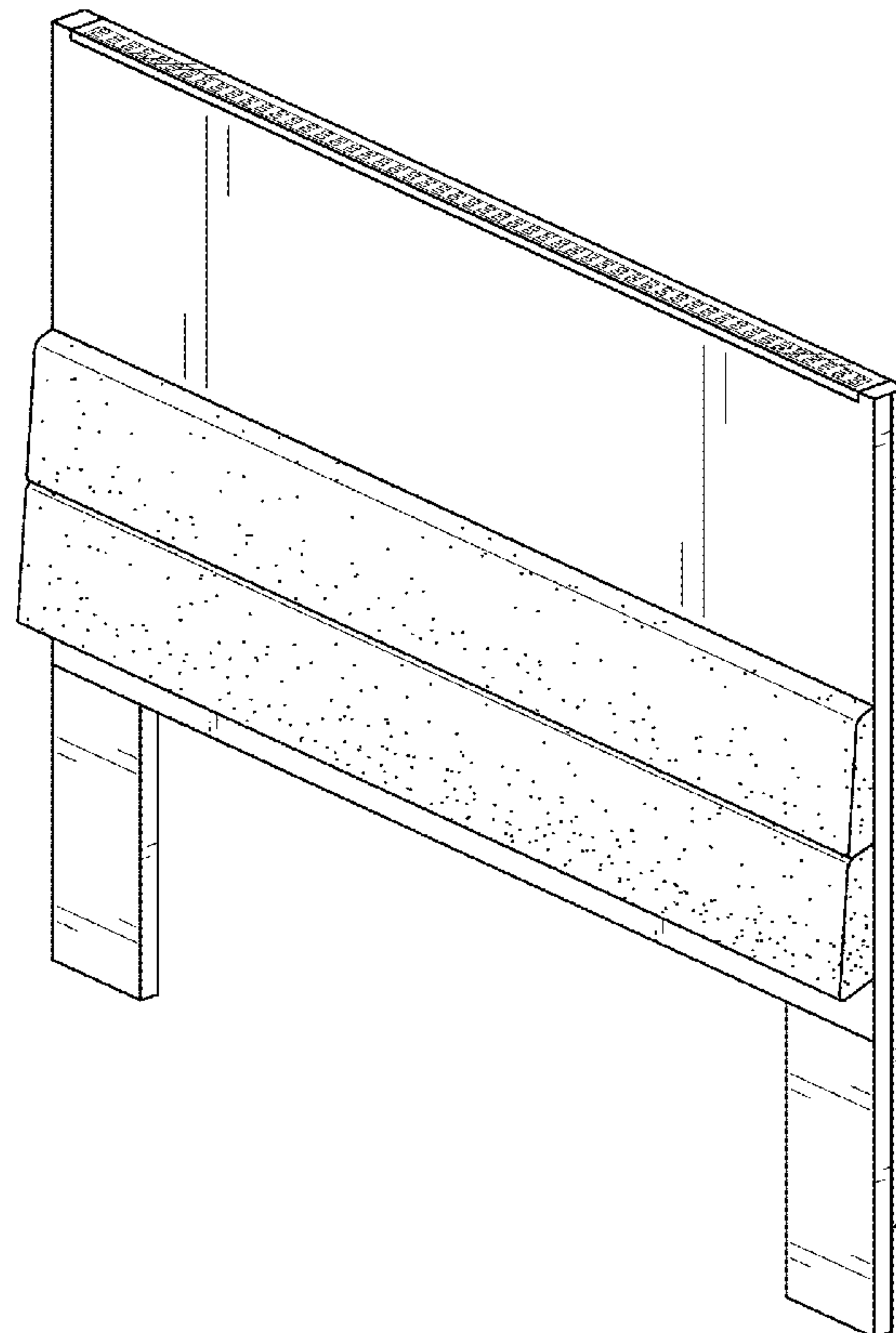
DESCRIPTION

FIG. 1 is a front perspective view of the lighted headboard showing my new design;
FIG. 2 is a front elevational view thereof;
FIG. 3 is a back elevational view thereof;
FIG. 4 is a left side elevational view of the lighted headboard as shown in FIG. 1;
FIG. 5 is a right side elevational view of the lighted headboard as shown in FIG. 1;
FIG. 6 is a top plan view of the lighted headboard as shown in FIG. 1; and,
FIG. 7 is a bottom plan view of the lighted headboard as shown in FIG. 1.

1 Claim, 5 Drawing Sheets

(56) **References Cited**
U.S. PATENT DOCUMENTS

- D174,017 S * 2/1955 Carr D6/718.13
- D177,467 S * 4/1956 Frey D6/384



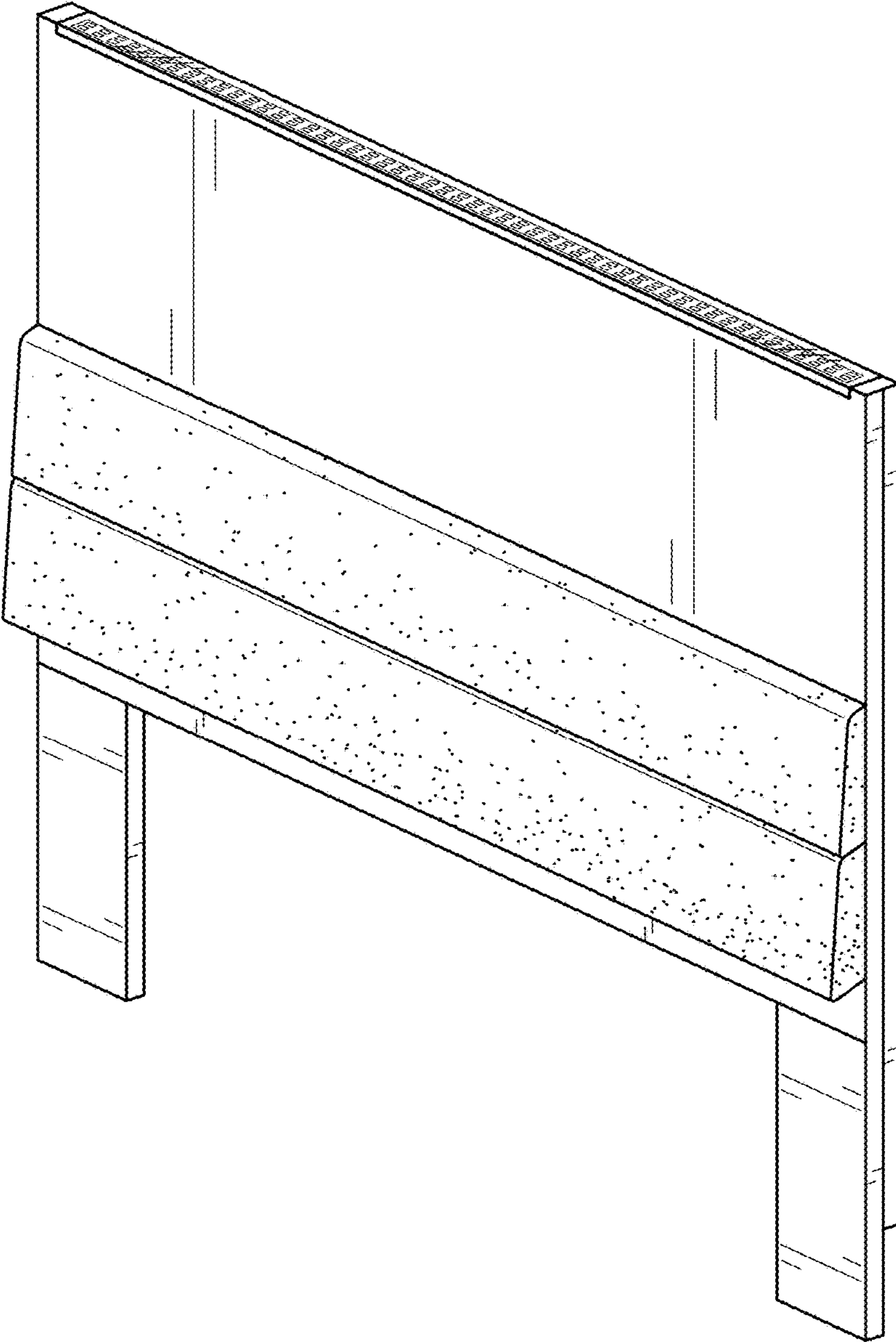


FIG. 1

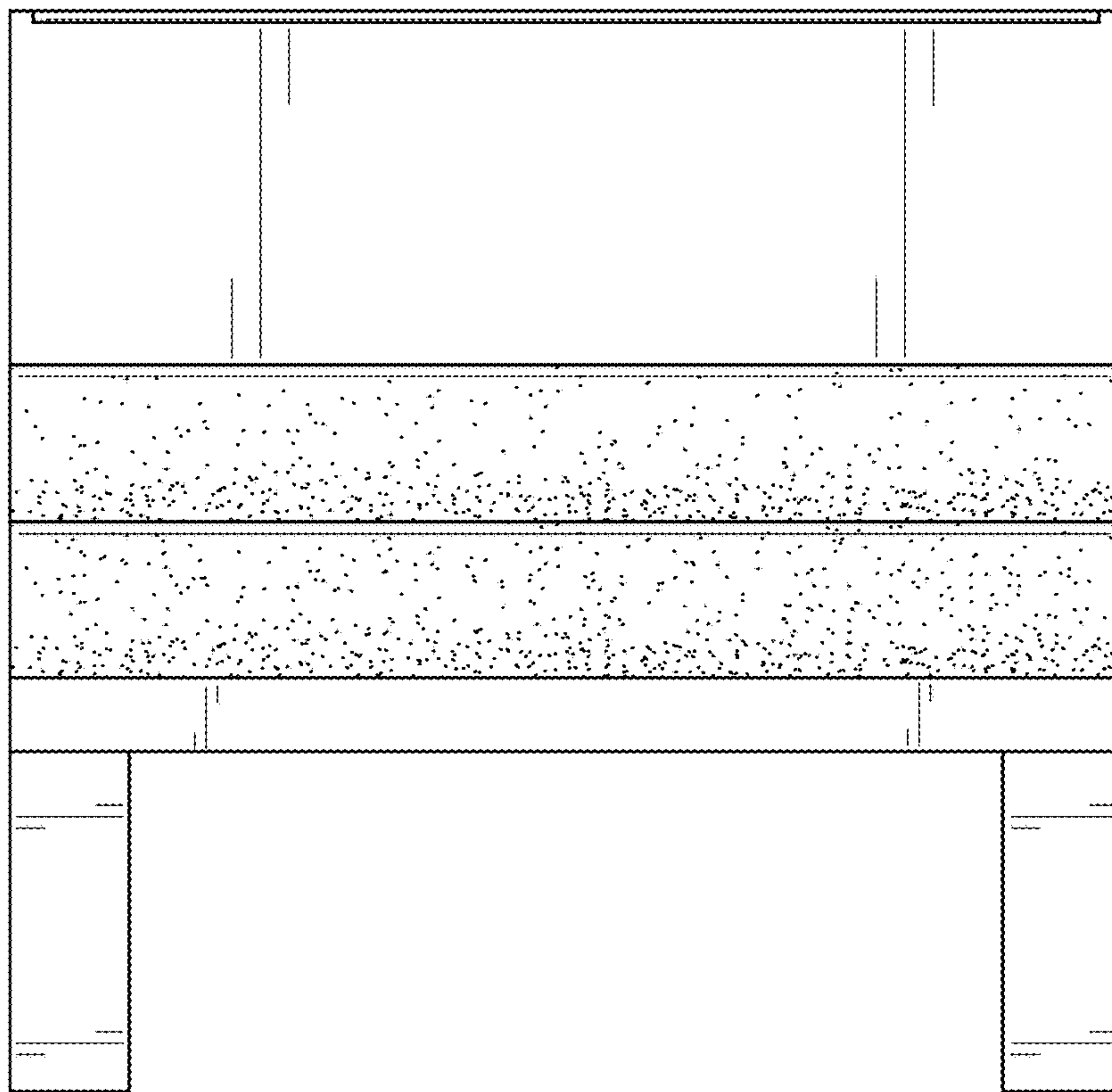


FIG. 2

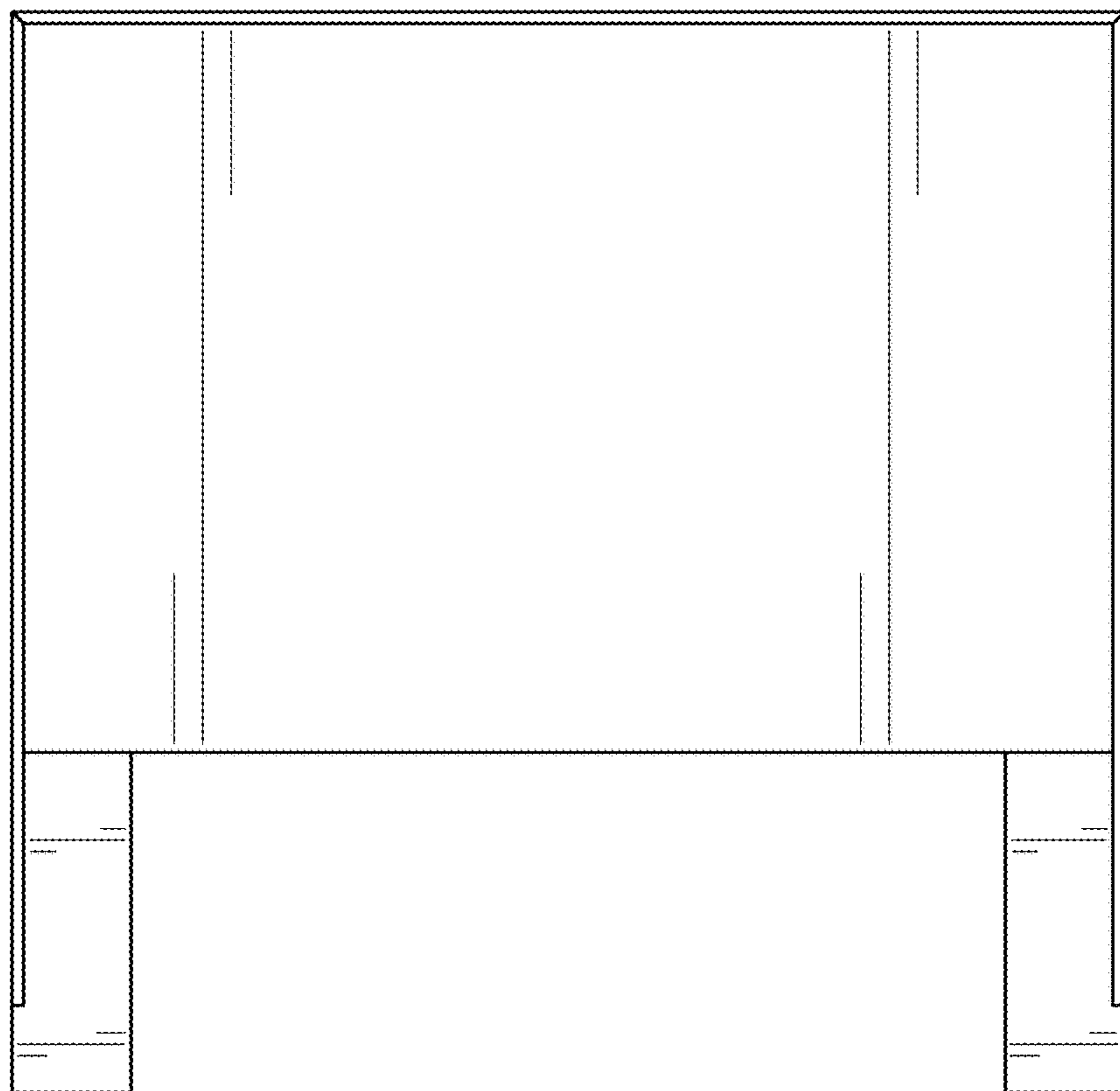


FIG. 3

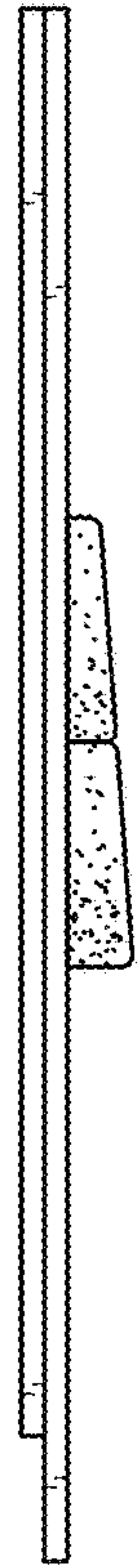


FIG. 4

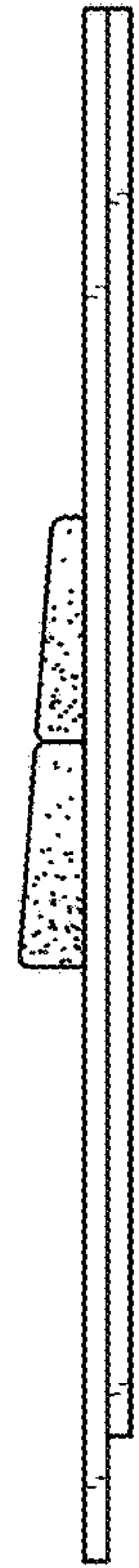


FIG. 5



FIG. 6

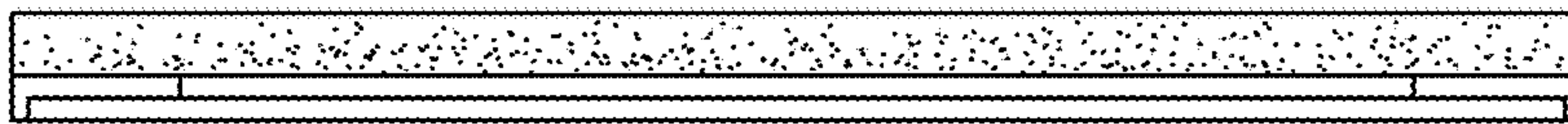


FIG. 7