



US00D807673S

(12) **United States Design Patent**
Nakamura et al.

(10) **Patent No.:** **US D807,673 S**
(45) **Date of Patent:** **** Jan. 16, 2018**

(54) **CHAIR**

(71) Applicant: **ITOKI CORPORATION**, Osaka-shi,
Osaka (JP)

(72) Inventors: **Yasuhiro Nakamura**, Tokyo (JP); **Koki Sato**, Osaka (JP)

(73) Assignee: **ITOKI CORPORATION**, Osaka-shi,
Osaka (JP)

(**) Term: **15 Years**

(21) Appl. No.: **29/559,801**

(22) Filed: **Mar. 31, 2016**

(30) **Foreign Application Priority Data**

Oct. 1, 2015 (JP) 2015-021677

(51) **LOC (11) Cl.** **06-01**

(52) **U.S. Cl.**
USPC **D6/716.4**

(58) **Field of Classification Search**
USPC D6/334-336, 364, 365, 366, 374, 379,
D6/380, 716, 716.1, 716.2, 716.4
CPC .. A47C 7/40; A47C 7/46; A47C 7/022; A47C
7/282; A47C 7/004; B60N 2/66
See application file for complete search history.

(56) **References Cited**

U.S. PATENT DOCUMENTS

D549,473 S * 8/2007 Wagner D6/366
D550,976 S * 9/2007 Bellini D6/366

D553,376 S * 10/2007 Nakamura D6/366
D557,917 S * 12/2007 Nakamura D6/366
D609,021 S * 2/2010 Ooki D6/366
D634,558 S * 3/2011 Deisig D6/366
D641,561 S * 7/2011 Tsai D6/366
D686,440 S * 7/2013 Xingchang D6/716.4
D698,192 S * 1/2014 Giugiaro D6/366
D705,559 S * 5/2014 Giugiaro D6/366
D707,460 S * 6/2014 Giugiaro D6/366
D715,068 S * 10/2014 Chan D6/366
D779,249 S * 2/2017 Cassaday D6/716.4

* cited by examiner

Primary Examiner — Mimosa De

(74) *Attorney, Agent, or Firm* — Drinker Biddle & Reath
LLP

(57) **CLAIM**

The ornamental design for a chair, as shown and described.

DESCRIPTION

FIG. 1 is a perspective view of the top, front and right side of a chair showing our new design;
FIG. 2 is a perspective view of the top, rear and left side thereof;
FIG. 3 is a front view thereof;
FIG. 4 is a rear side view thereof;
FIG. 5 is a top view thereof;
FIG. 6 is a bottom view thereof; and,
FIG. 7 is a right side view thereof, a left side view being a mirror image thereof.
The portions of the article in broken lines are shown for illustrative purposes only and form no part of the claimed design.

1 Claim, 7 Drawing Sheets

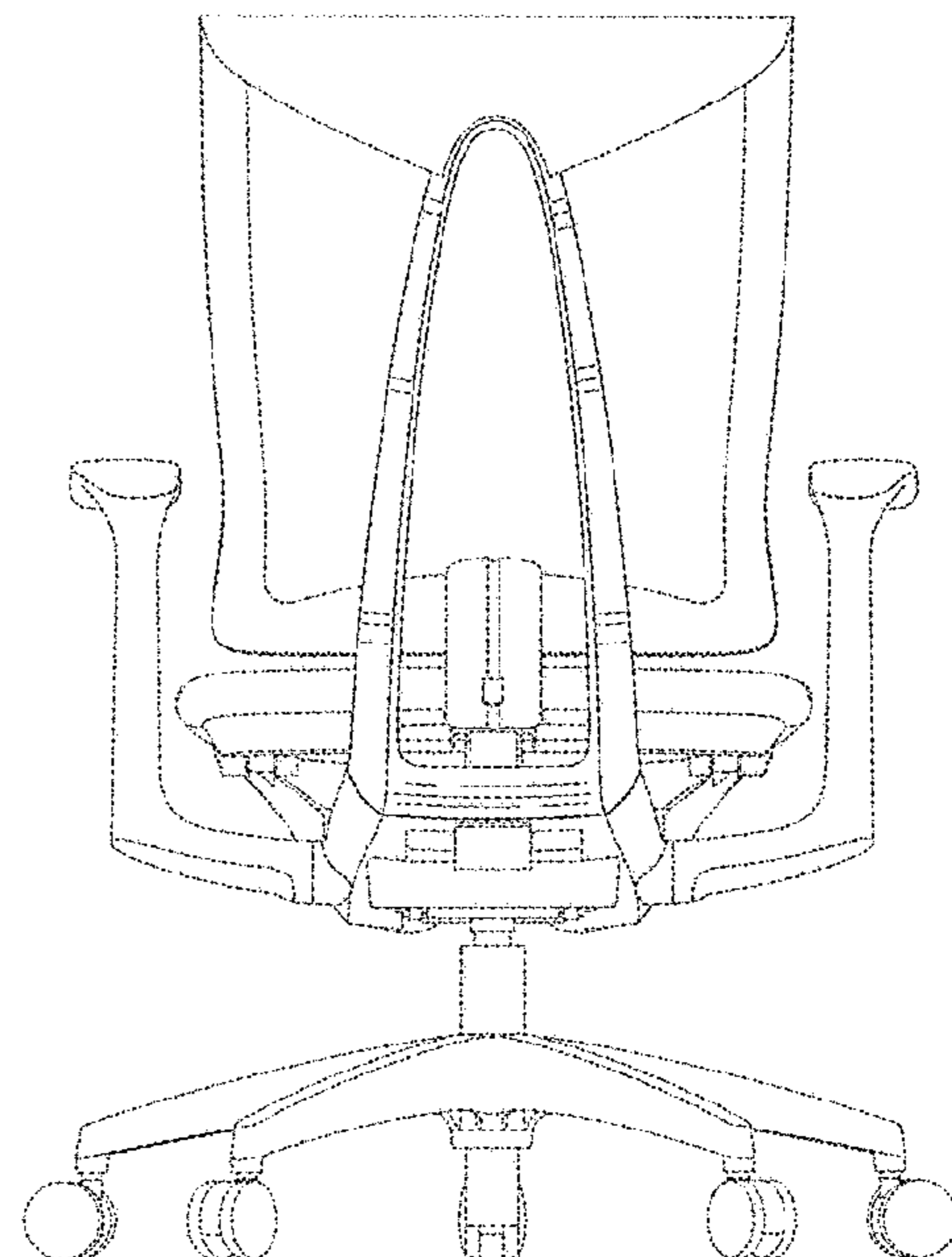
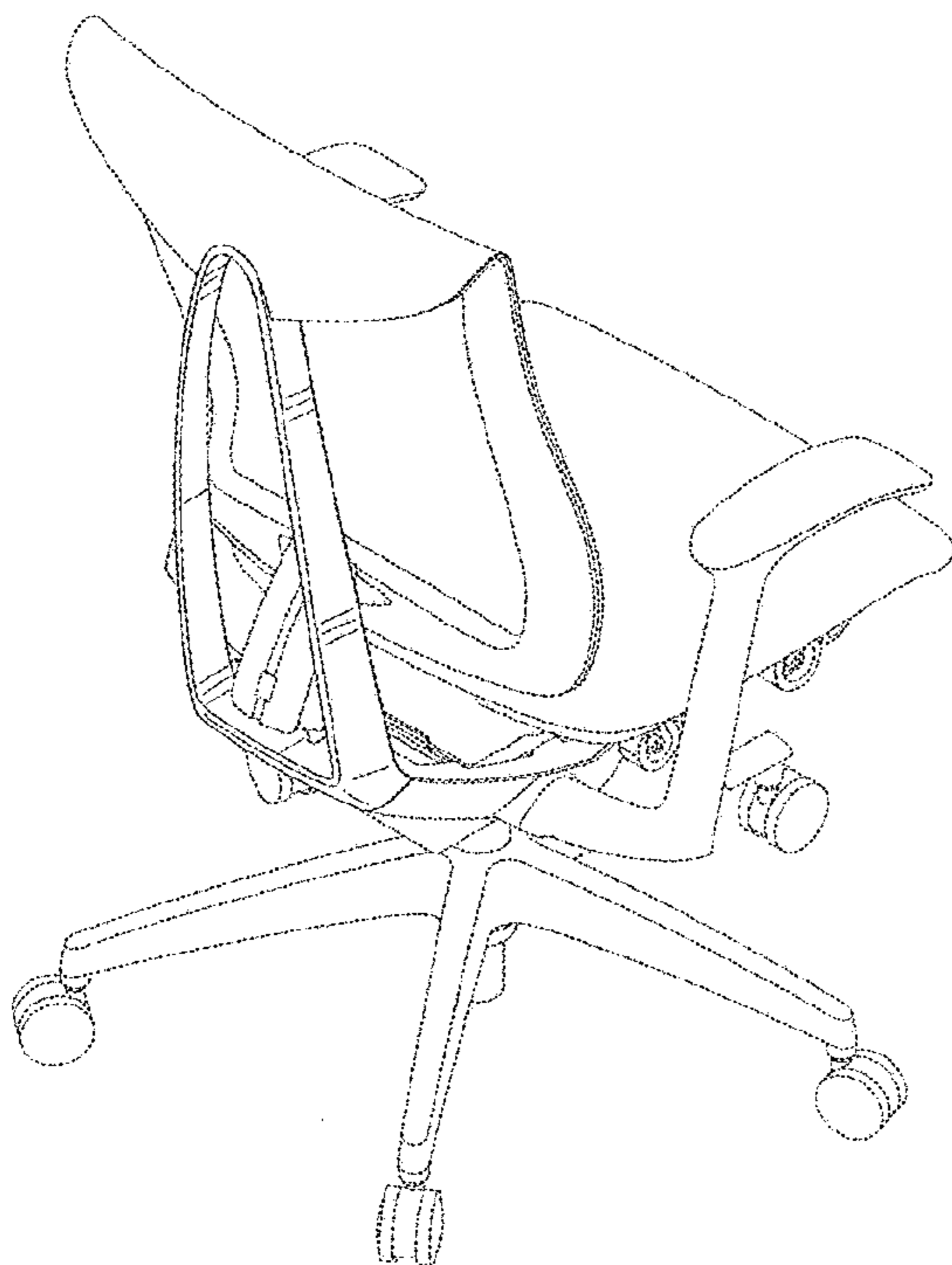


Fig. 1



Fig. 2

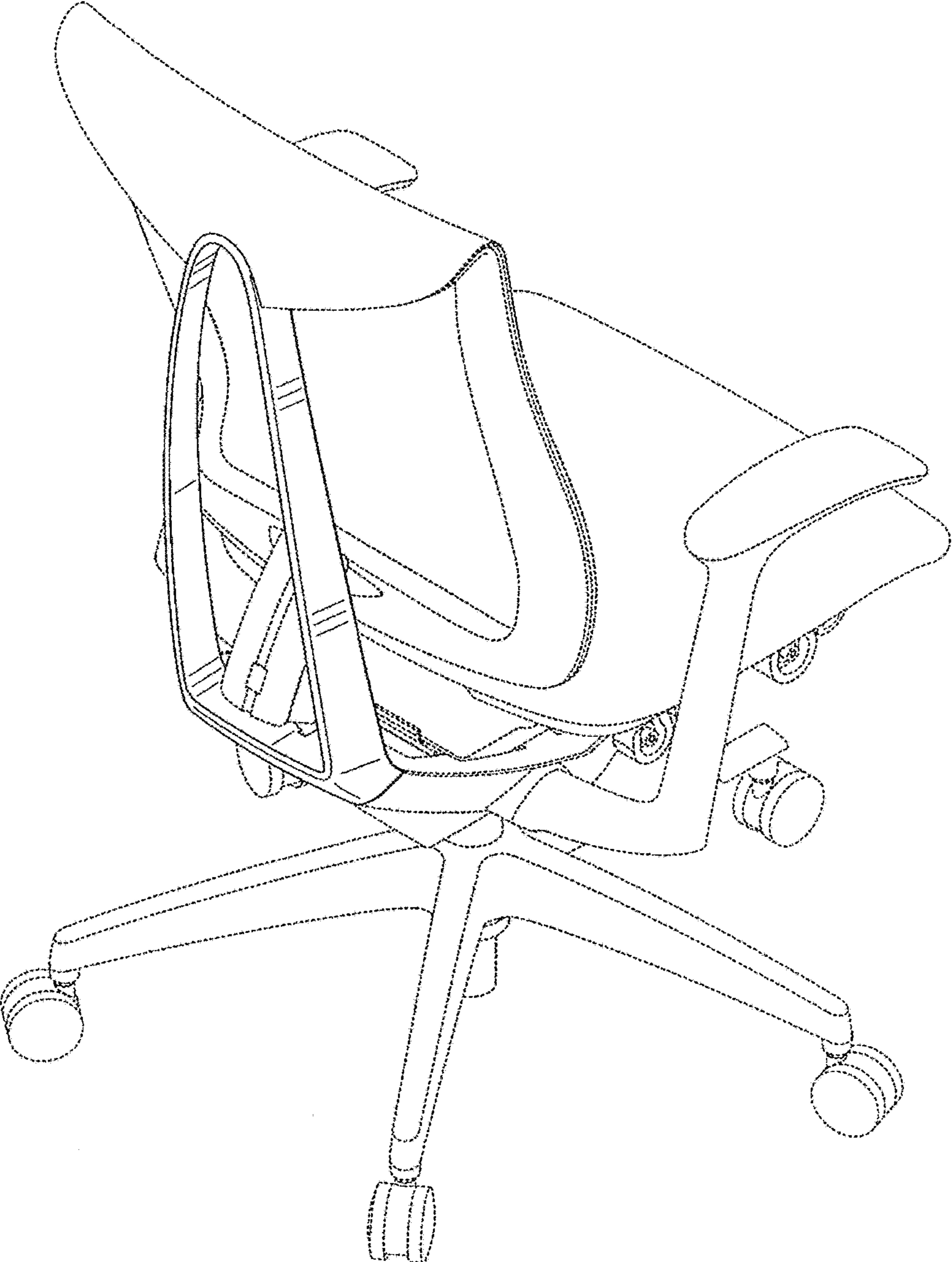


Fig. 3

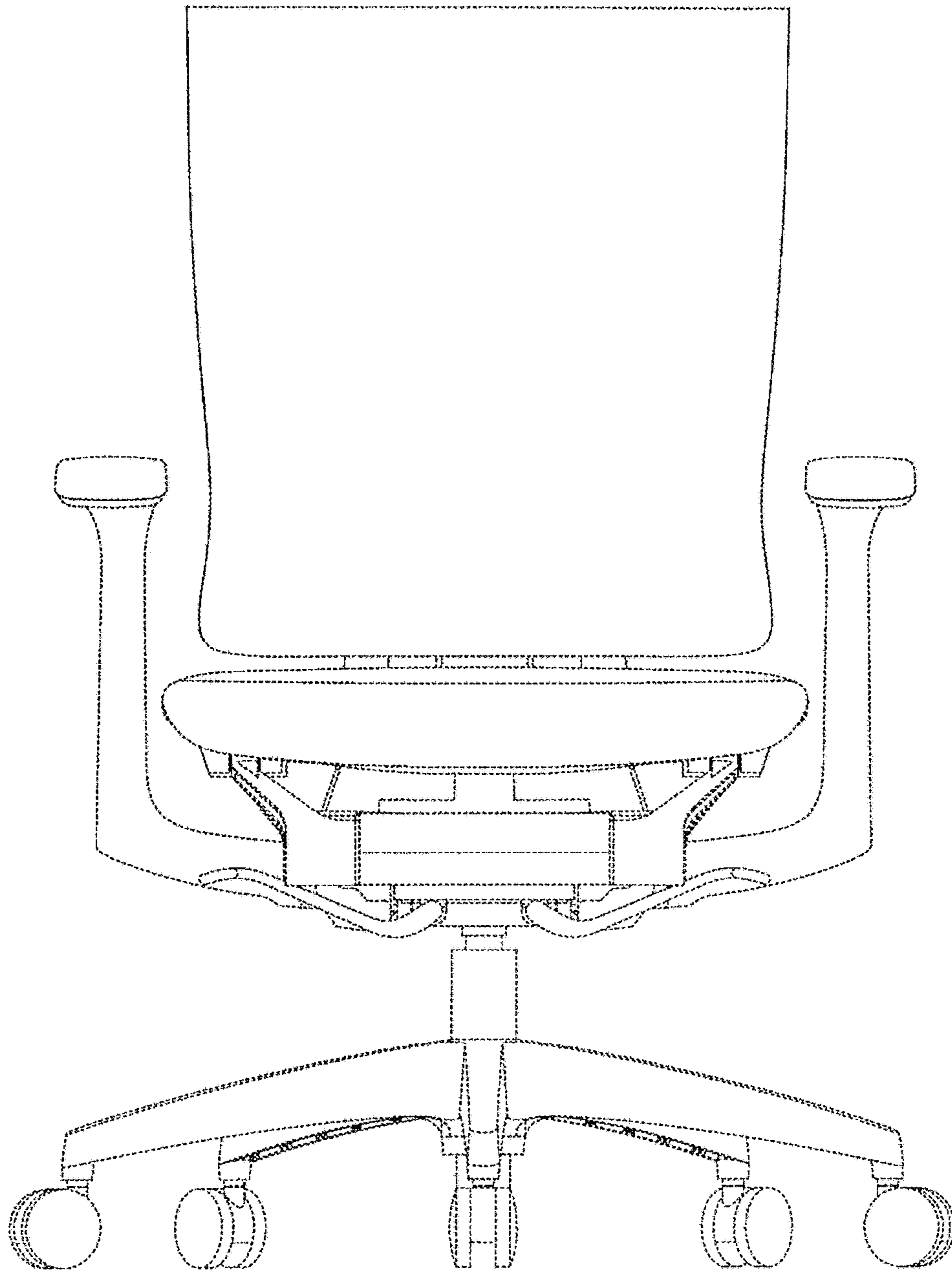


Fig. 4

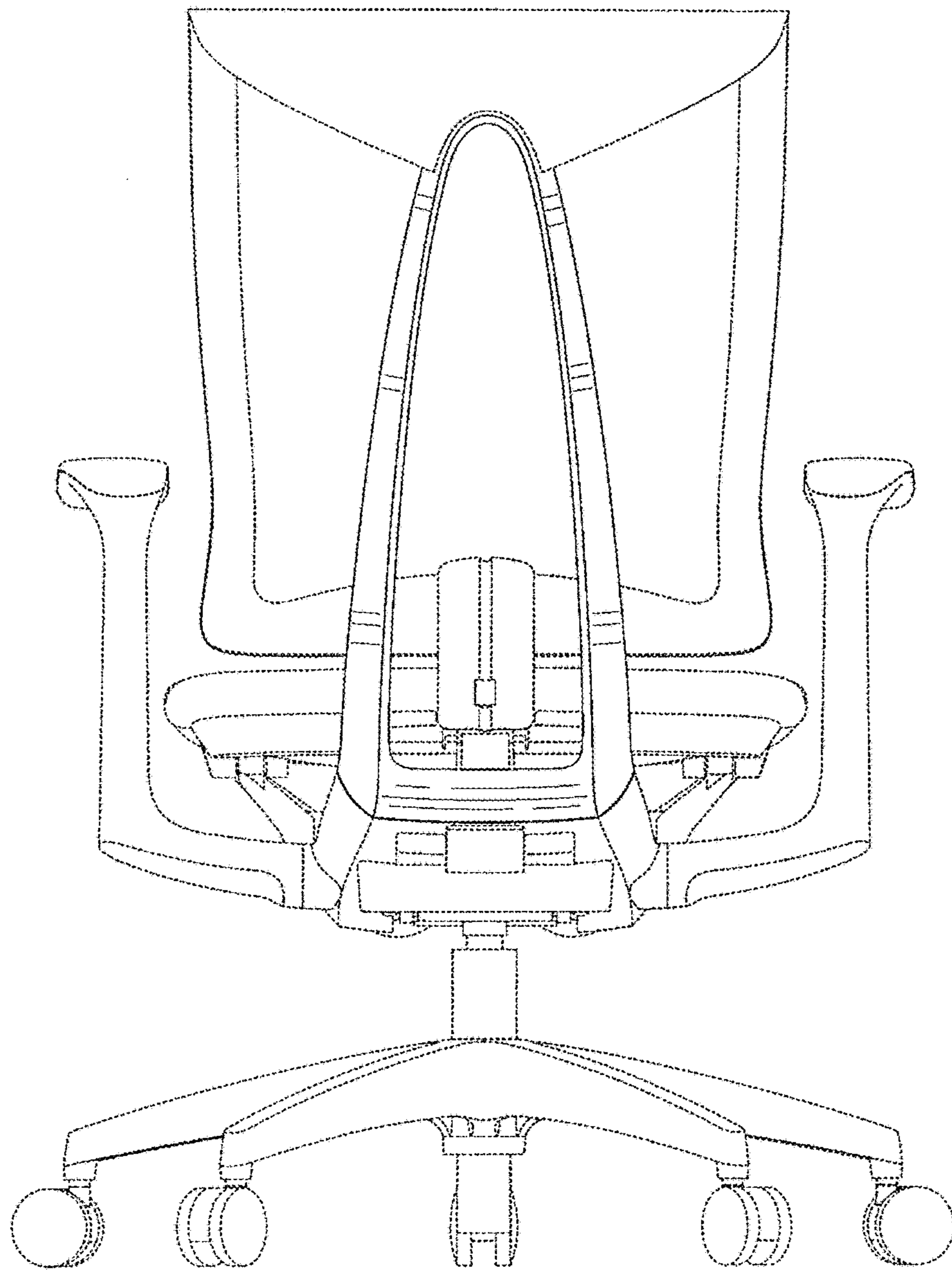


Fig. 5

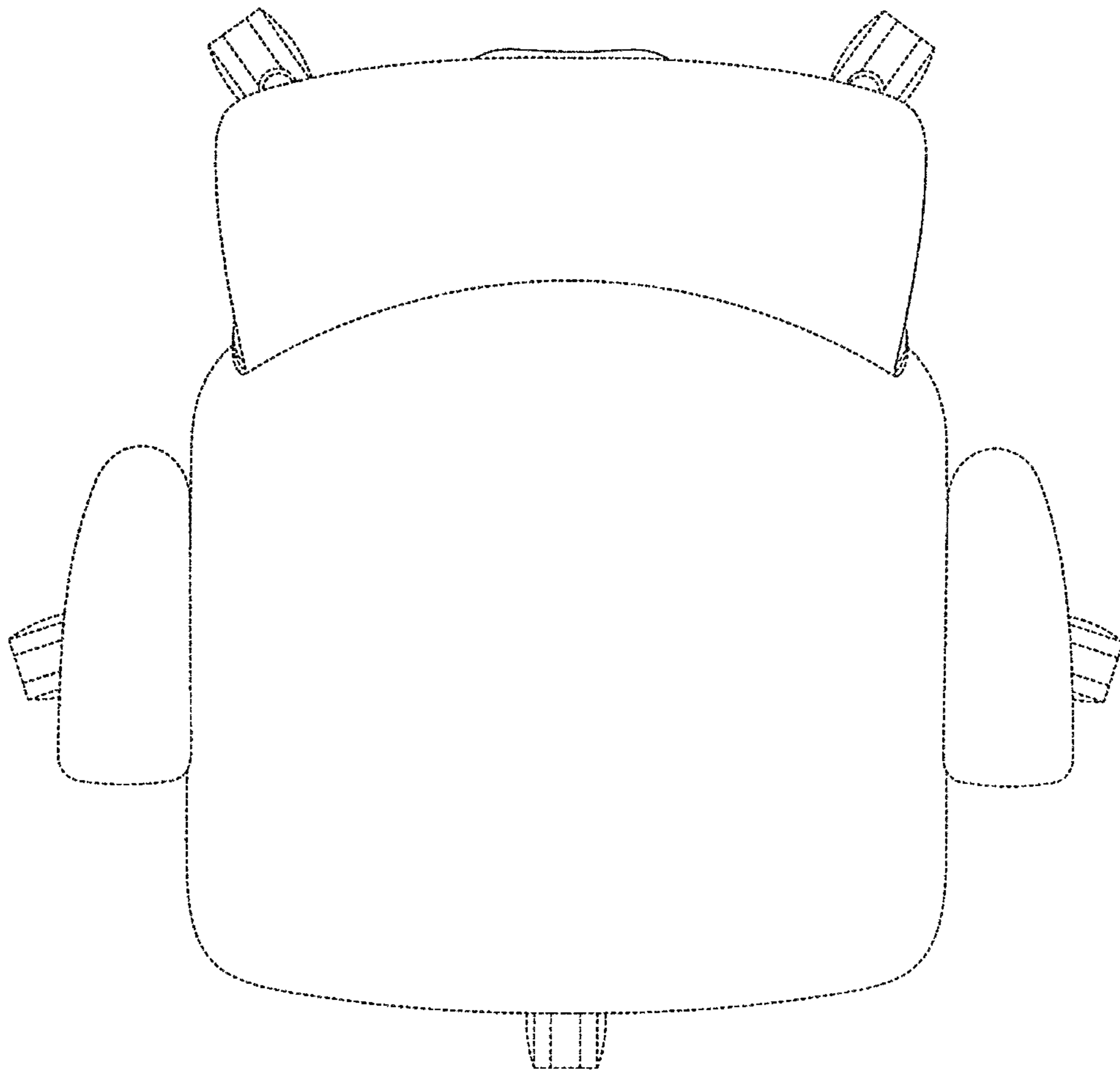


Fig. 6

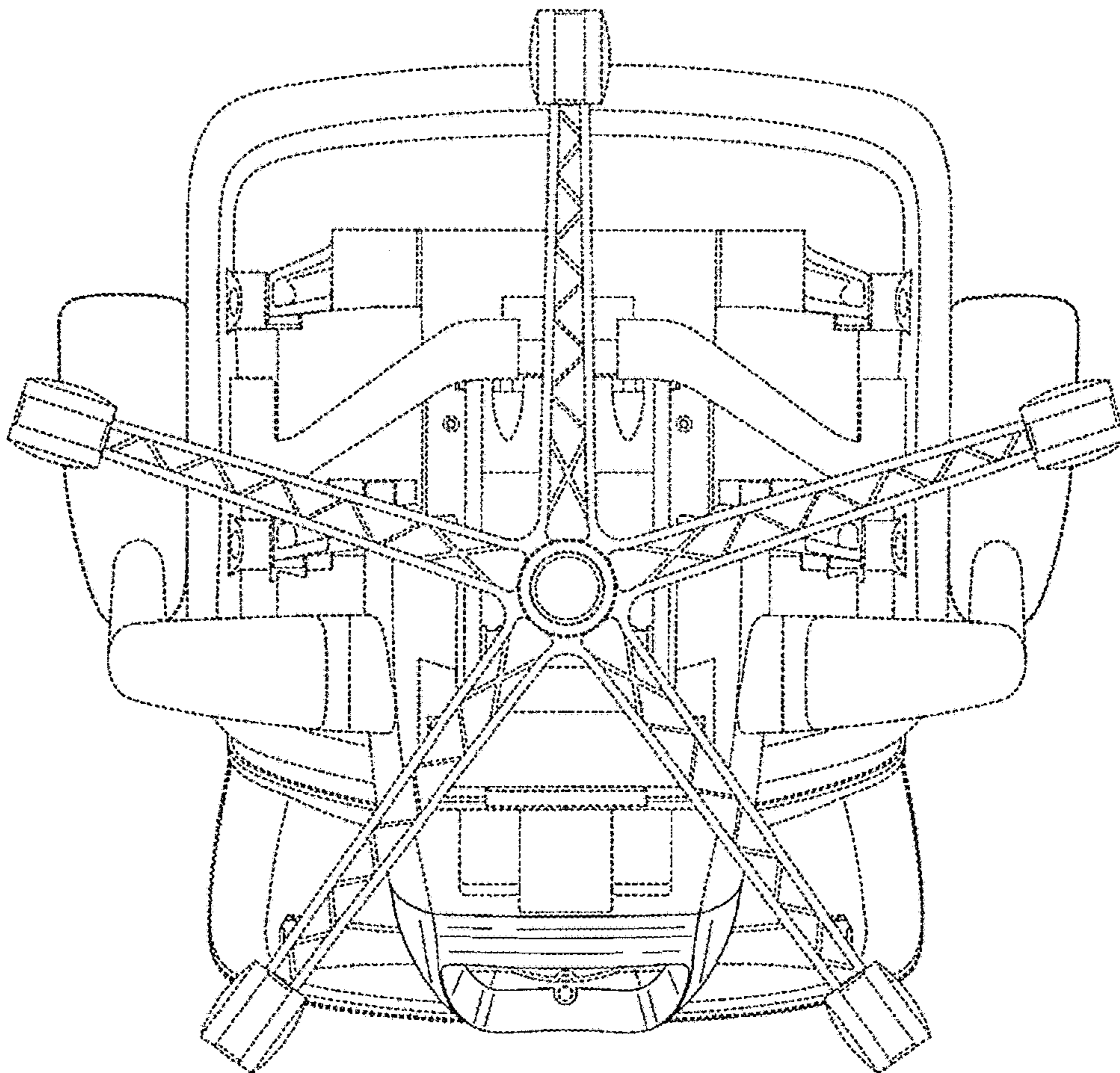


Fig. 7

