



US00D807672S

(12) **United States Design Patent** (10) **Patent No.:** **US D807,672 S**  
**Babick et al.** (45) **Date of Patent:** **\*\* Jan. 16, 2018**

(54) **SUPPORT LEG**

(71) Applicant: **Haworth, Inc.**, Holland, MI (US)

(72) Inventors: **Tod Babick**, Grand Rapids, MI (US);  
**David Melvin Gresham**, East Hampton, NY (US); **Daniel Grabowski**, East Grand Rapids, MI (US)

(73) Assignee: **Haworth, Inc.**, Holland, MI (US)

(\*\*) Term: **14 Years**

(21) Appl. No.: **29/516,933**

(22) Filed: **Feb. 6, 2015**

(51) **LOC (11) Cl.** ..... **06-13**

(52) **U.S. Cl.**  
USPC ..... **D6/709**

(58) **Field of Classification Search**  
USPC ..... D6/648.1, 656, 656.12, 656.17, 708.23,  
D6/709, 709.21, 710, 718

(Continued)

(56) **References Cited**

**U.S. PATENT DOCUMENTS**

2,787,087 A \* 4/1957 Whitman ..... A47B 91/16  
108/150  
D183,556 S \* 9/1958 Close ..... D6/709.21

(Continued)

*Primary Examiner* — David G Muller

*Assistant Examiner* — Nathan M Johnston

(74) *Attorney, Agent, or Firm* — Warner Norcross and Judd LLP

(57) **CLAIM**

The ornamental design for a support leg, as shown and described.

**DESCRIPTION**

FIG. 1 is a front perspective view of a support leg, showing our new design;

FIG. 2 is a side elevational view thereof;  
FIG. 3 is a rear elevational view thereof;  
FIG. 4 is a front elevational view thereof;  
FIG. 5 is a bottom plan view thereof;  
FIG. 6 is a top plan view thereof;  
FIG. 7 is a front perspective view of a support leg, showing a second embodiment of our new design;  
FIG. 8 is a side elevational view thereof;  
FIG. 9 is a rear elevational view thereof;  
FIG. 10 is a front elevational view thereof;  
FIG. 11 is a bottom plan view thereof;  
FIG. 12 is a top plan view thereof;  
FIG. 13 is a front perspective view of a support leg, showing a third embodiment of our new design;  
FIG. 14 is a side elevational view thereof;  
FIG. 15 is a rear elevational view thereof;  
FIG. 16 is a front elevational view thereof;  
FIG. 17 is a bottom plan view thereof;  
FIG. 18 is a top plan view thereof;  
FIG. 19 is a front perspective view of a support leg, showing a fourth embodiment of our new design;  
FIG. 20 is a side elevational view thereof;  
FIG. 21 is a rear elevational view thereof;  
FIG. 22 is a front elevational view thereof;  
FIG. 23 is a bottom plan view thereof;  
FIG. 24 is a top plan view thereof;  
FIG. 25 is a front perspective view of a support leg, showing a fifth embodiment of our new design;  
FIG. 26 is a side elevational view thereof;  
FIG. 27 is a rear elevational view thereof;  
FIG. 28 is a front elevational view thereof;  
FIG. 29 is a bottom plan view thereof;  
FIG. 30 is a top plan view thereof;  
FIG. 31 is a front perspective view of a support leg, showing a sixth embodiment of our new design;  
FIG. 32 is a side elevational view thereof;  
FIG. 33 is a rear elevational view thereof;  
FIG. 34 is a front elevational view thereof;  
FIG. 35 is a bottom plan view thereof;  
FIG. 36 is a top plan view thereof;  
FIG. 37 is a partial rear perspective view of the first, second, third, fourth, fifth, and sixth embodiment of our new design;

(Continued)

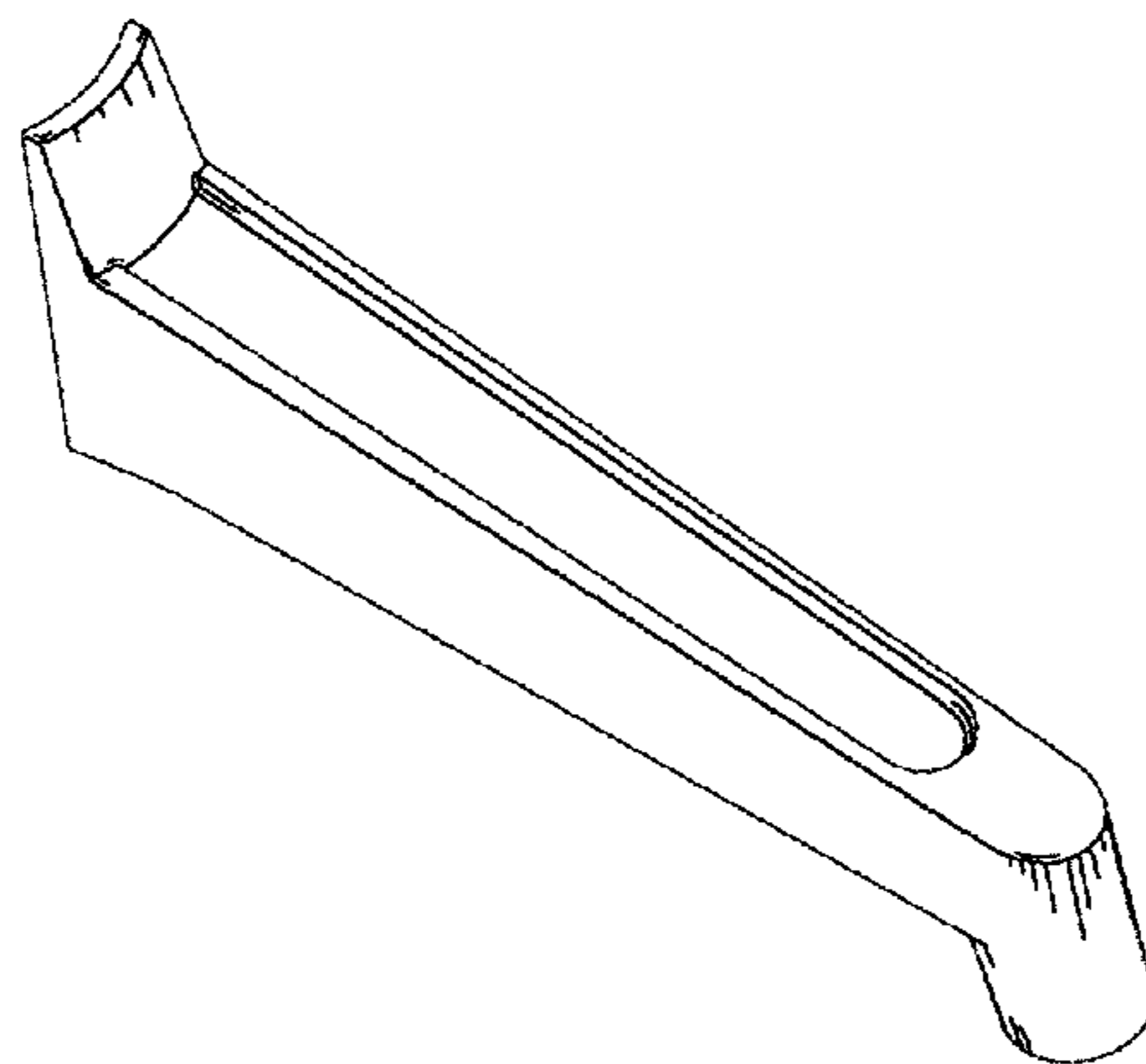


FIG. 38 is a partial bottom perspective view of the first, second, third, fourth, fifth, and sixth embodiment of our new design;  
 FIG. 39 is a partial front perspective view of the first, second, third, fourth, fifth, and sixth embodiment of our new design;  
 FIG. 40 is a first side perspective view of two connected support legs of the third embodiment of our new design;  
 FIG. 41 is a second side perspective view thereof;  
 FIG. 42 is a side elevational view thereof;  
 FIG. 43 is a top plan view thereof;  
 FIG. 44 is a bottom plan view thereof;  
 FIG. 45 is a front elevational view thereof; and,  
 FIG. 46 is a side perspective view of four connected support legs of the third embodiment of our new design.  
 The broken lines show portions of the design that form no part of the claimed design.

**1 Claim, 32 Drawing Sheets**

(58) **Field of Classification Search**

CPC .... A47B 1/00; A47B 1/08; A47B 1/10; A47B 9/00; A47B 9/08; A47B 9/20; A47B 9/18; A47B 87/002; A47B 7/00; A47B 2021/11; A47B 13/00; A47B 13/02; A47B 13/04; A47B 91/00; A47B 2200/002; A47B 2200/0031

See application file for complete search history.

(56) **References Cited**

U.S. PATENT DOCUMENTS

D197,653 S \* 3/1964 Sundberg ..... D6/708  
 3,625,462 A \* 12/1971 Jordan ..... A47B 91/04  
 248/188.8  
 D223,498 S \* 4/1972 Daum ..... D6/709  
 3,701,506 A \* 10/1972 Favreau ..... A47B 9/14  
 108/147.21  
 D239,073 S \* 3/1976 George ..... D6/708  
 D276,864 S \* 12/1984 Ponzellini ..... D6/709  
 D284,434 S \* 7/1986 Boundy ..... D6/709  
 D314,299 S \* 2/1991 Diffrient ..... D6/709  
 D322,729 S \* 12/1991 Diffrient ..... D6/656.17  
 D352,406 S \* 11/1994 Scheffers ..... D6/656.17  
 D372,150 S \* 7/1996 Funk ..... D6/708  
 D379,127 S \* 5/1997 Schacht ..... D6/709  
 D379,411 S \* 5/1997 Funk ..... D6/709  
 D380,632 S \* 7/1997 Schacht ..... D6/709  
 D399,077 S \* 10/1998 Lepper ..... D6/656.16  
 D431,739 S \* 10/2000 Rives ..... D6/709  
 D444,325 S \* 7/2001 DeJule ..... D6/709  
 6,289,825 B1 \* 9/2001 Long ..... A47B 9/00  
 108/147  
 D498,091 S \* 11/2004 Winter ..... D6/709  
 D553,883 S \* 10/2007 DeJule ..... D6/709  
 D555,945 S \* 11/2007 Pearsons ..... D6/709  
 D560,084 S \* 1/2008 Glass ..... D6/656.17  
 D560,085 S \* 1/2008 Glass ..... D6/656.17

D563,697 S \* 3/2008 Glass ..... D6/656.16  
 D565,869 S \* 4/2008 Williams ..... D6/710  
 D569,662 S \* 5/2008 Simonsen ..... D6/709  
 D577,517 S \* 9/2008 Kumazawa ..... D6/656.16  
 7,559,516 B2 \* 7/2009 Koder ..... A47B 9/20  
 108/147  
 D622,984 S \* 9/2010 Babick ..... D6/709  
 7,886,674 B2 \* 2/2011 Behnke ..... A47B 13/023  
 108/150  
 D634,949 S \* 3/2011 Babick ..... D6/709  
 7,908,981 B2 \* 3/2011 Agee ..... A47B 9/04  
 108/147  
 D644,044 S \* 8/2011 Kitajima ..... D6/656.17  
 D644,860 S \* 9/2011 Saito ..... D6/656.17  
 D653,479 S \* 2/2012 Babick ..... D6/709  
 D661,504 S \* 6/2012 Saotome ..... D6/366  
 D661,915 S \* 6/2012 Greutmann ..... D6/366  
 D662,330 S \* 6/2012 Tanaka ..... D6/366  
 D663,129 S \* 7/2012 Greutmann ..... D6/366  
 D665,191 S \* 8/2012 Yamamoto ..... D6/656.15  
 D665,589 S \* 8/2012 Wagner ..... D6/366  
 D665,591 S \* 8/2012 Tanaka ..... D6/366  
 D665,592 S \* 8/2012 Citterio ..... D6/366  
 D666,016 S \* 8/2012 Citterio ..... D6/366  
 D669,277 S \* 10/2012 Saotome ..... D6/366  
 D669,282 S \* 10/2012 Yamamoto ..... D6/691.6  
 8,291,830 B2 \* 10/2012 Rutz ..... A47B 3/0818  
 108/115  
 D674,627 S \* 1/2013 Mecherle ..... D6/708.16  
 D677,917 S \* 3/2013 Mao ..... D6/366  
 D678,690 S \* 3/2013 Eldoy ..... D6/366  
 D680,345 S \* 4/2013 Xingchang ..... D6/366  
 D680,765 S \* 4/2013 Ballendat ..... D6/366  
 D683,150 S \* 5/2013 Smith ..... D6/366  
 D683,151 S \* 5/2013 Smith ..... D6/366  
 D683,979 S \* 6/2013 Miller ..... D6/366  
 D684,783 S \* 6/2013 Hsiao ..... D6/366  
 D688,482 S \* 8/2013 Choi ..... D6/366  
 D690,523 S \* 10/2013 Choi ..... D6/366  
 D721,244 S \* 1/2015 Mueller ..... D6/709  
 9,038,549 B1 \* 5/2015 Zebarjad ..... A47B 9/02  
 108/147  
 9,332,836 B1 \* 5/2016 Zebarjad ..... A47B 9/02  
 D759,412 S \* 6/2016 Koning ..... D6/709  
 D761,046 S \* 7/2016 Babick ..... D6/709  
 D763,609 S \* 8/2016 Copier ..... D6/709  
 D788,494 S \* 6/2017 Yamamoto ..... D6/642  
 D793,785 S \* 8/2017 Ediger ..... D6/708.23  
 D795,619 S \* 8/2017 Labrosse ..... D6/709  
 2008/0178779 A1 \* 7/2008 Agee ..... A47B 9/04  
 108/147  
 2009/0145342 A1 \* 6/2009 Flanet ..... A47B 17/00  
 108/147.19  
 2010/0024687 A1 \* 2/2010 Preiss ..... A47B 21/06  
 108/50.02  
 2010/0176257 A1 \* 7/2010 Koh ..... A47B 13/06  
 248/188.7  
 2011/0048291 A1 \* 3/2011 Long ..... A47B 9/02  
 108/147  
 2012/0261532 A1 \* 10/2012 Hazzard ..... A47C 7/004  
 248/188.7  
 2015/0136000 A1 \* 5/2015 Holtschi ..... A47B 9/20  
 108/146

\* cited by examiner

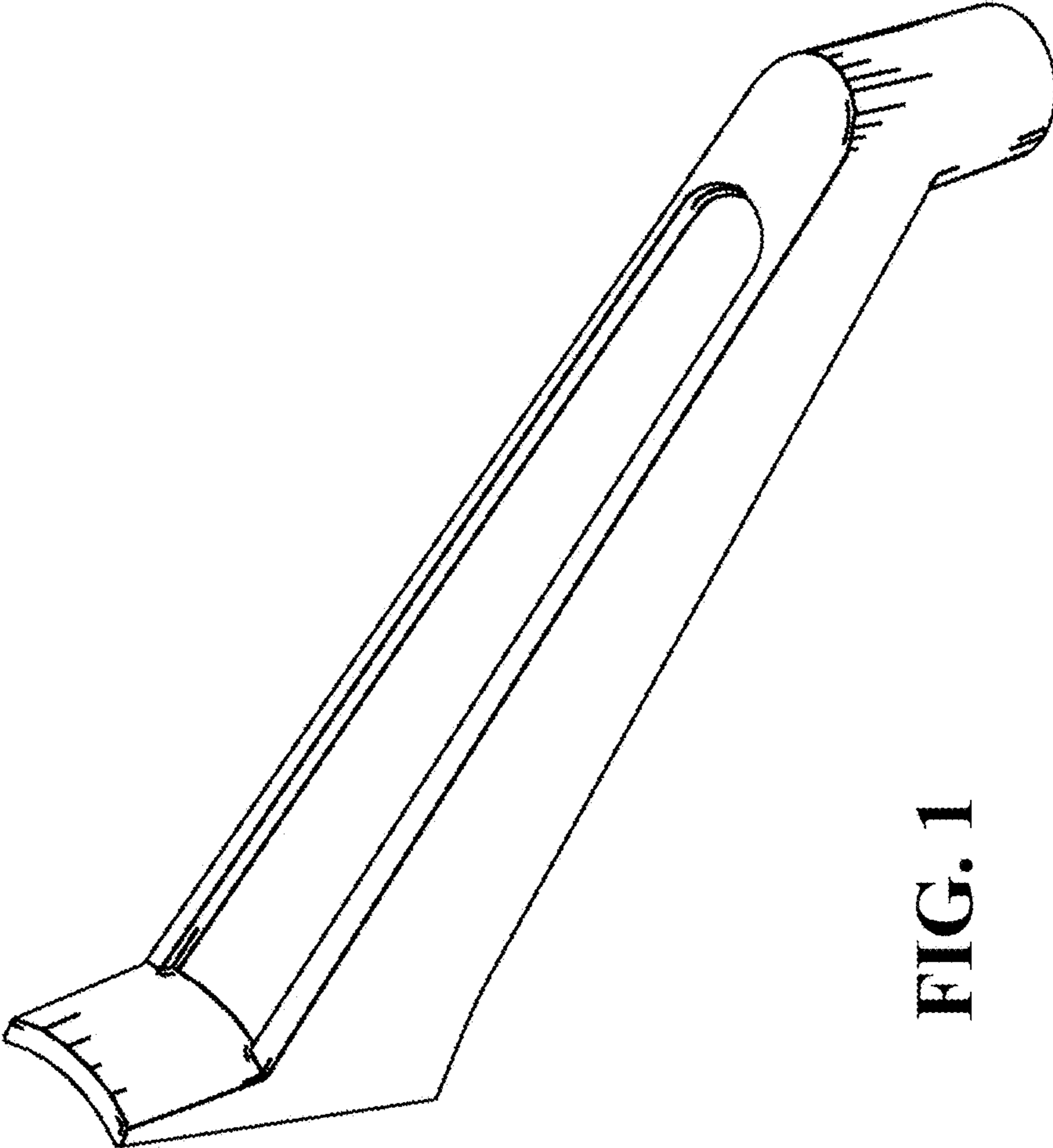


FIG. 1

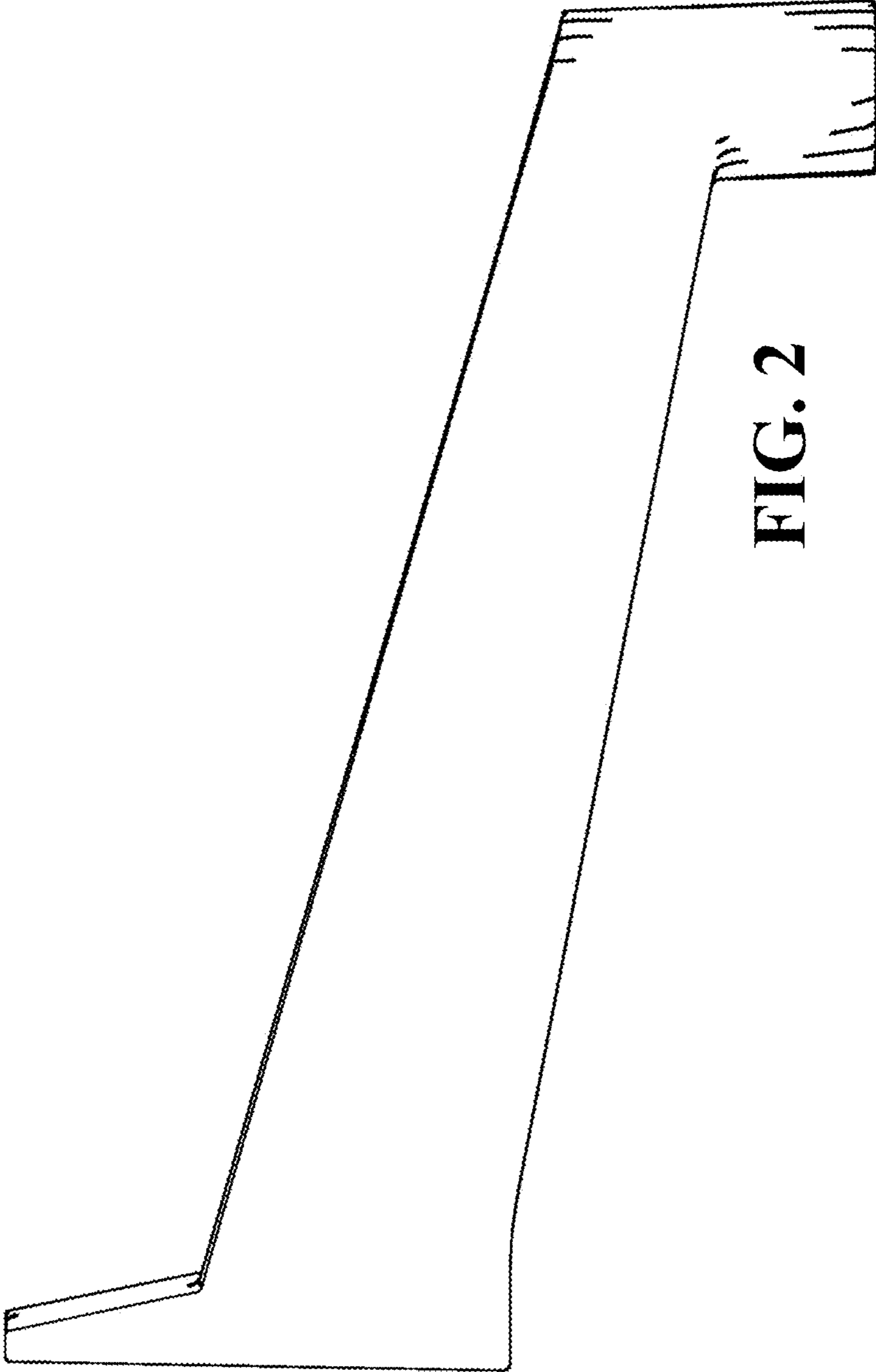
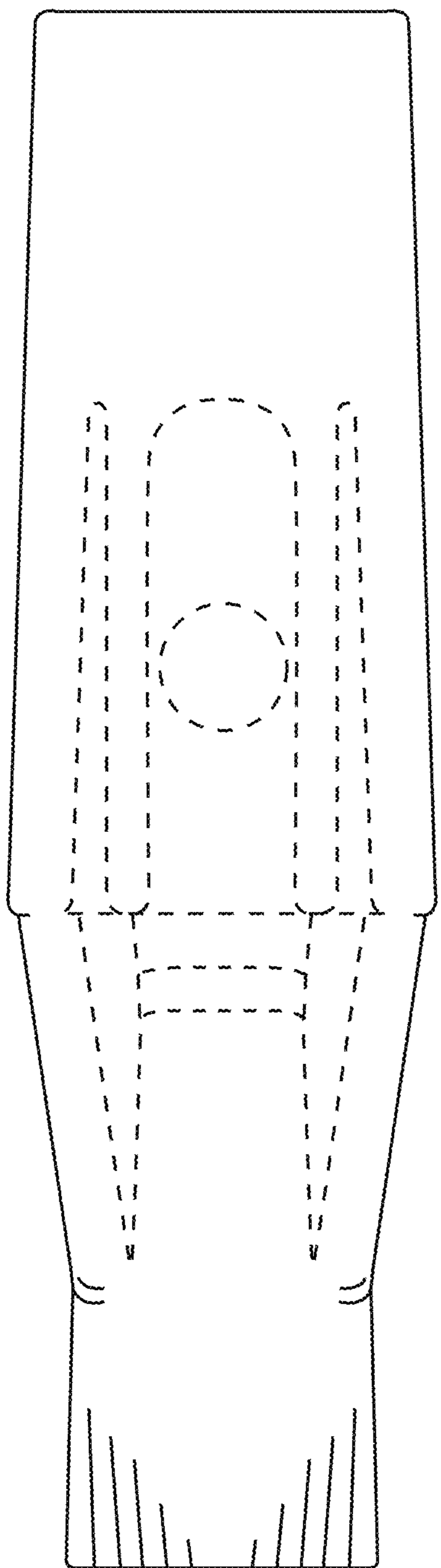
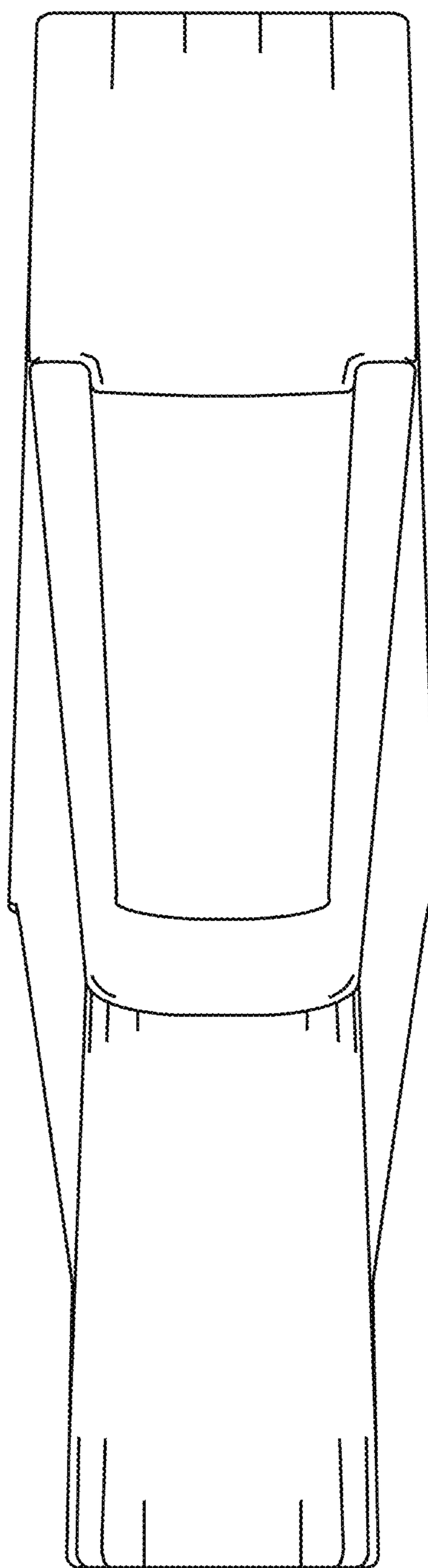


FIG. 2

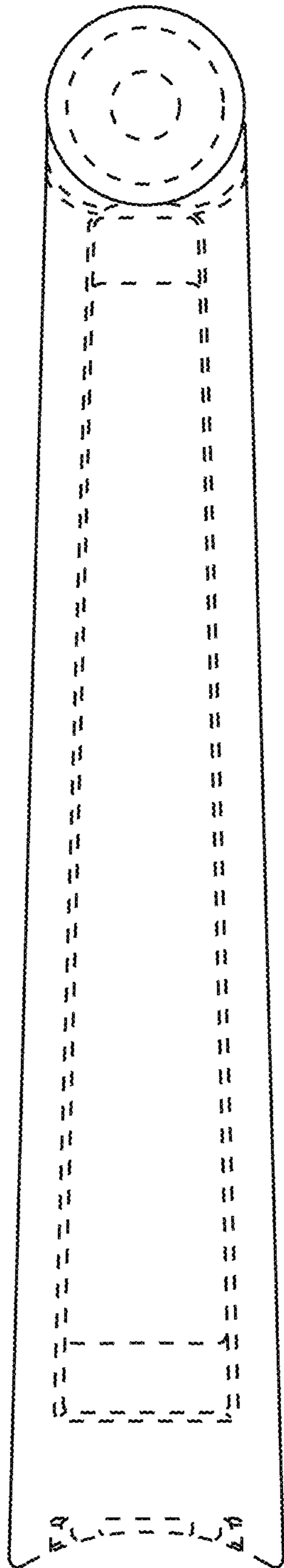
**FIG. 3**



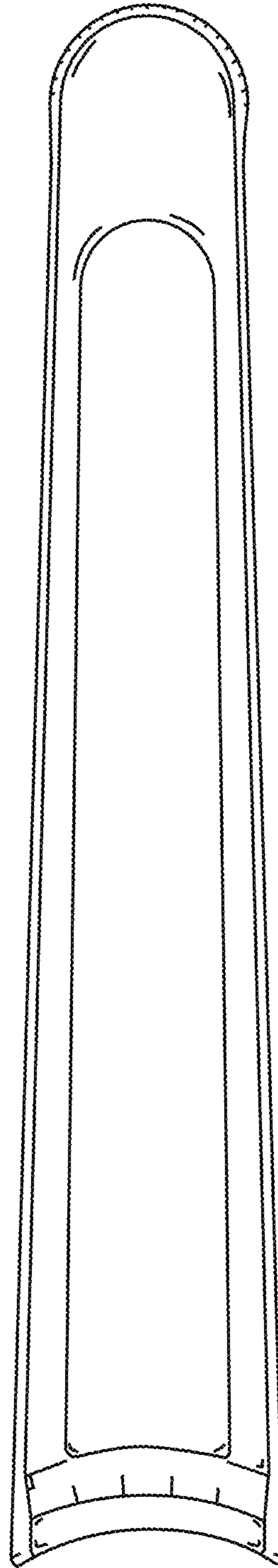
**FIG. 4**

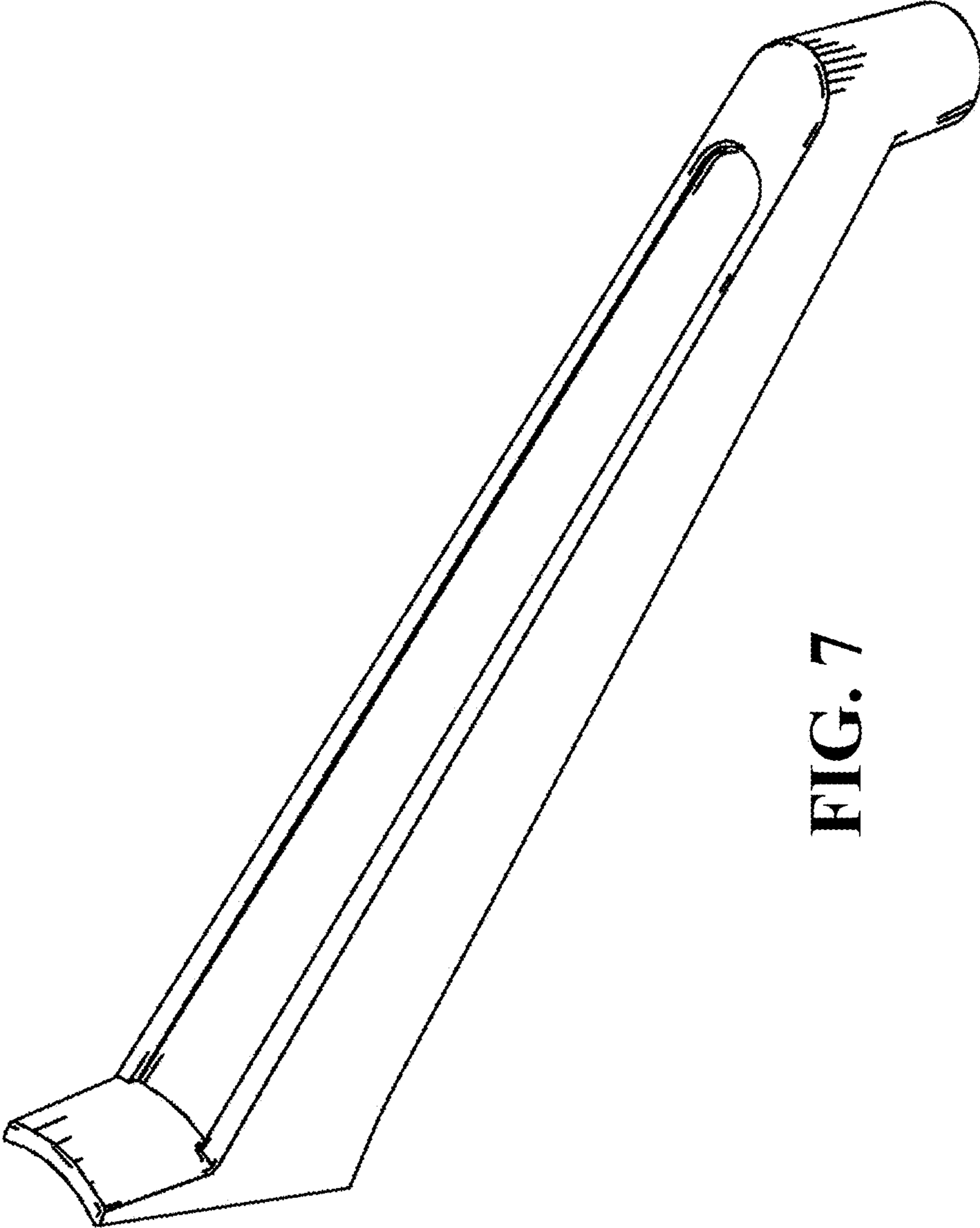


**FIG. 5**



**FIG. 6**





**FIG. 7**

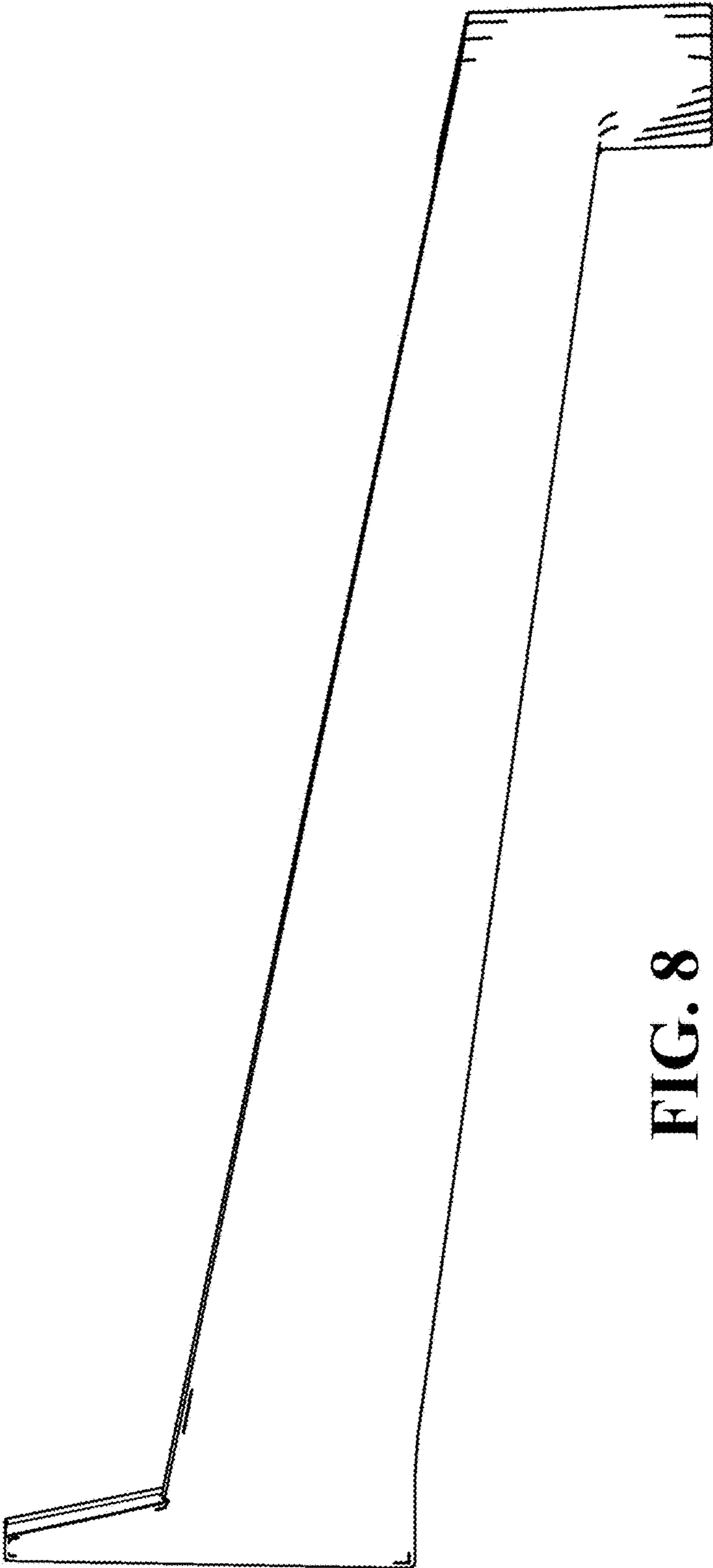
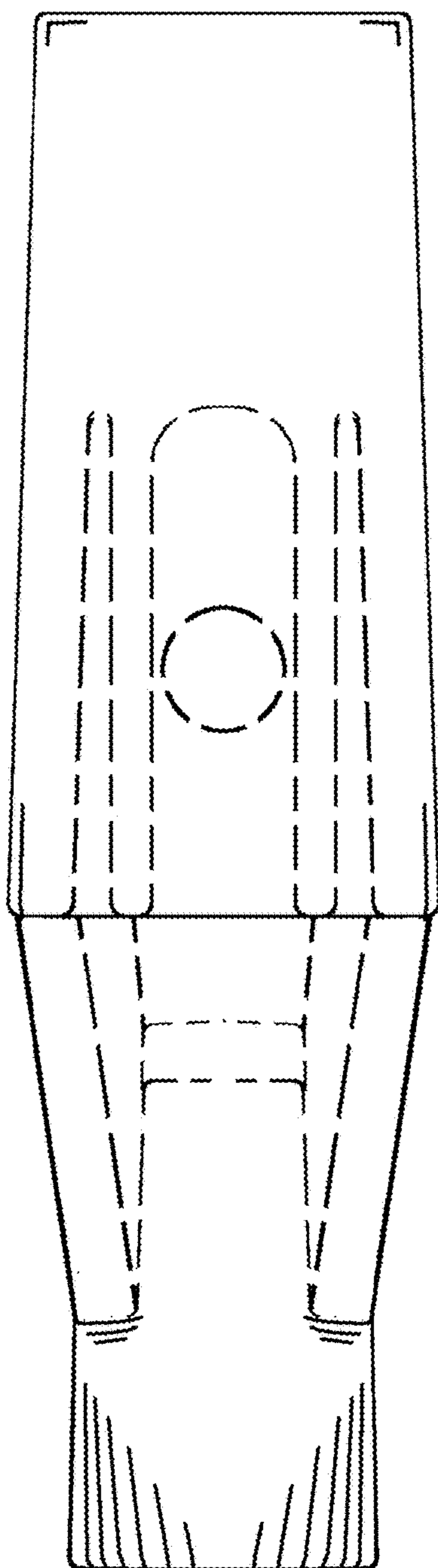


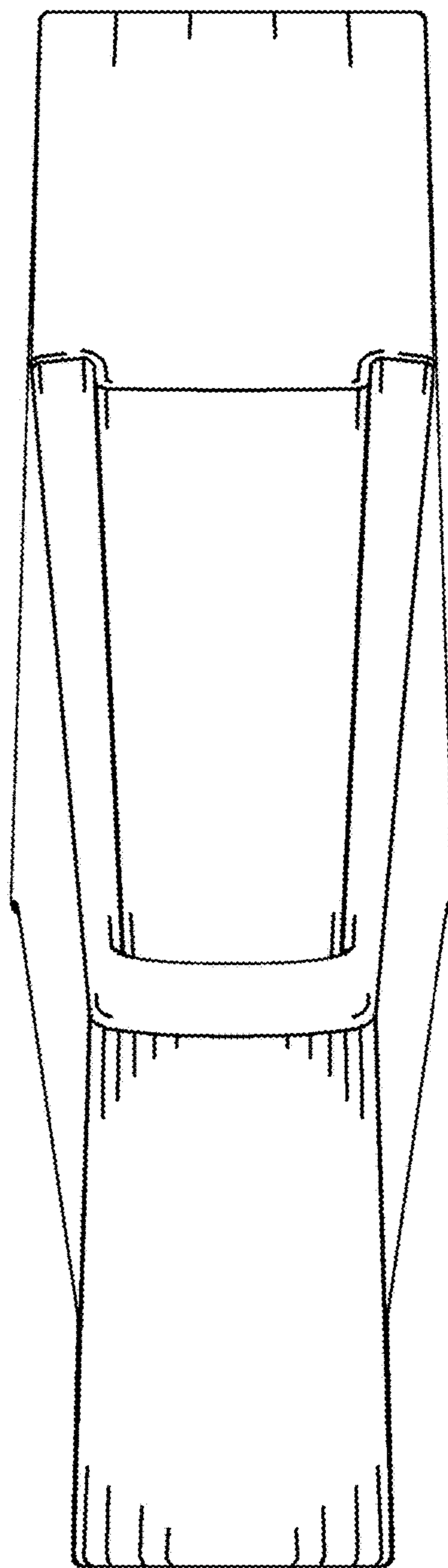
FIG. 8



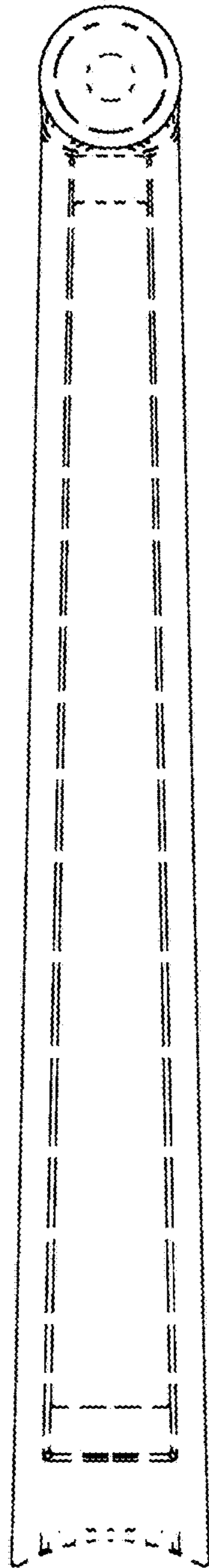
**FIG. 9**



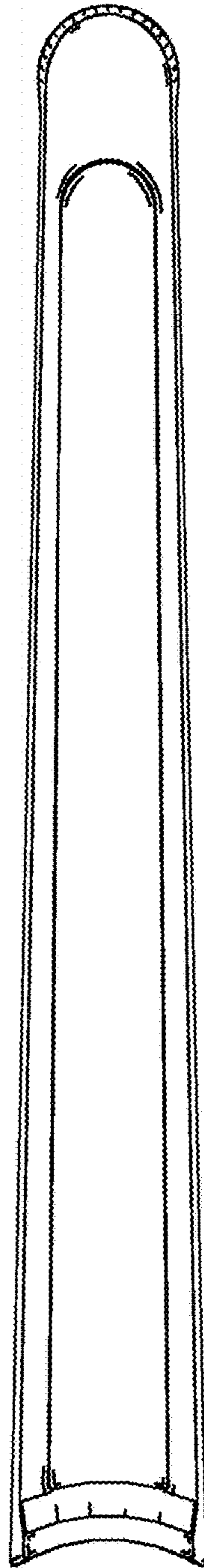
**FIG. 10**



**FIG. 11**



**FIG. 12**



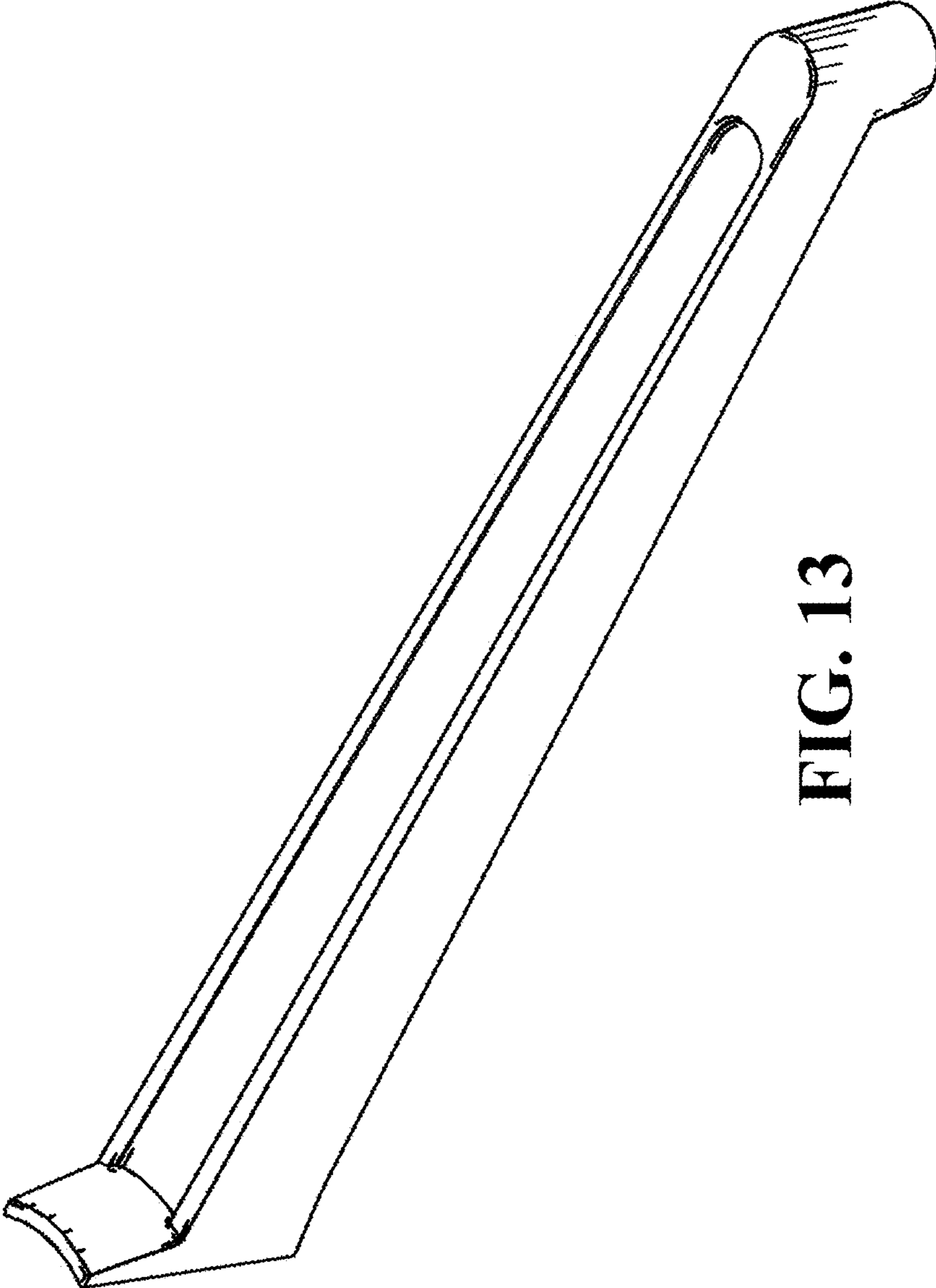


FIG. 13

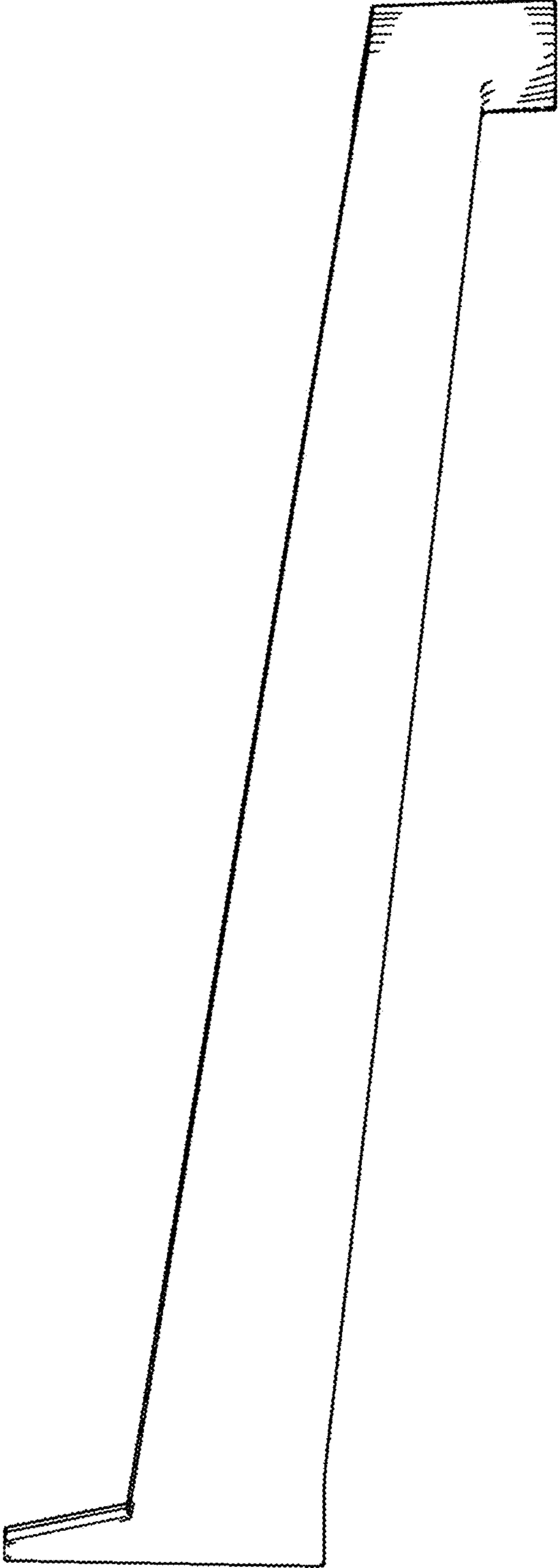
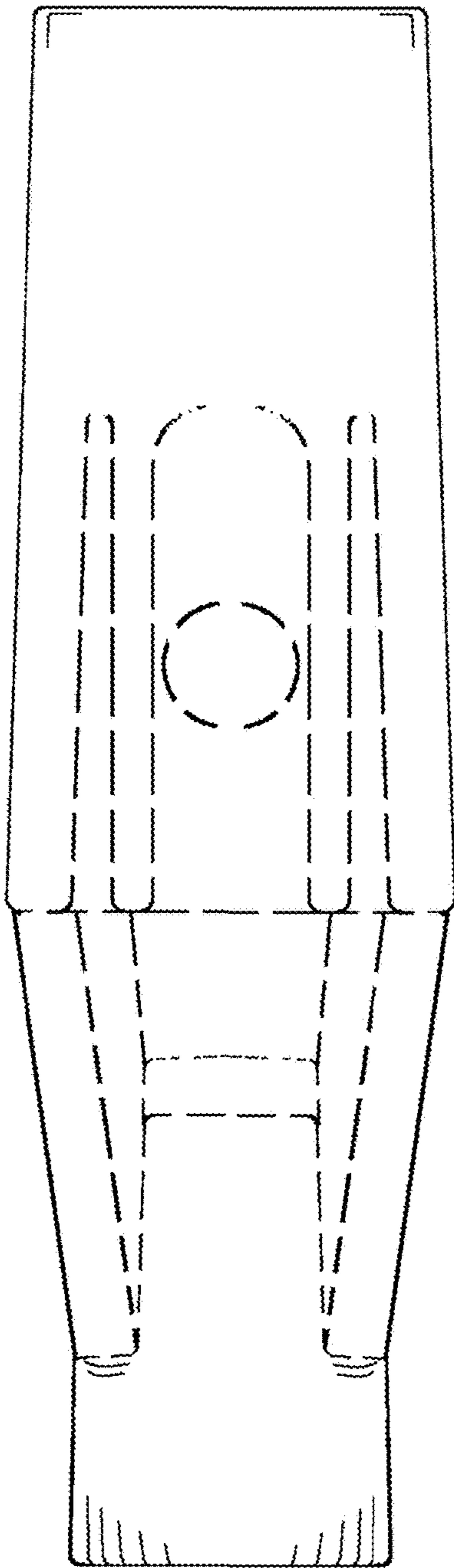
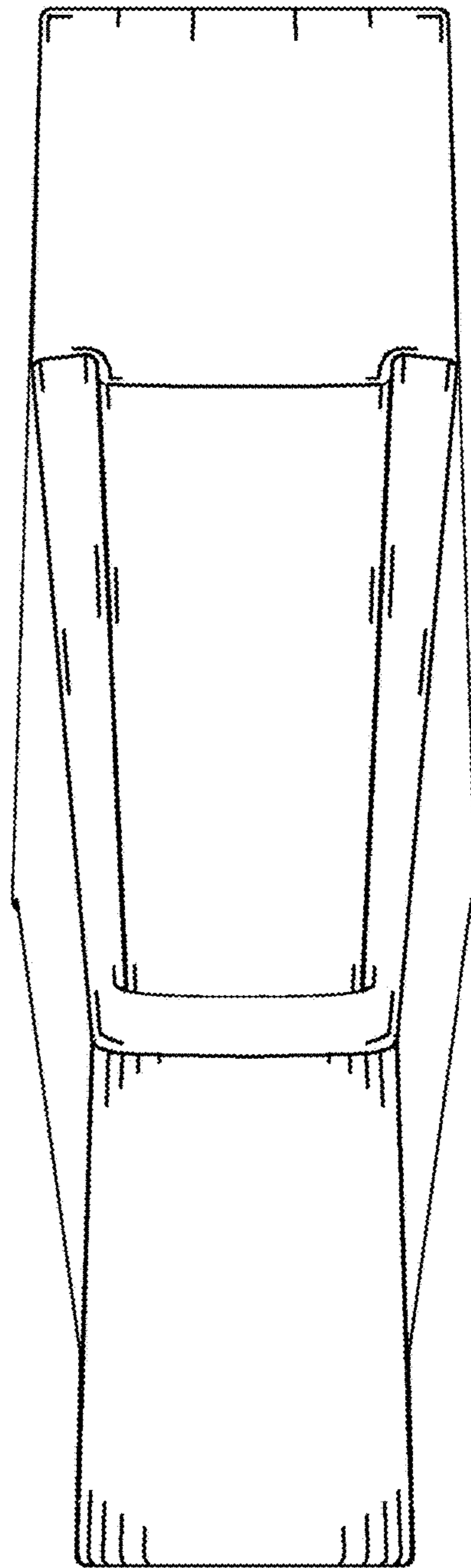


FIG. 14

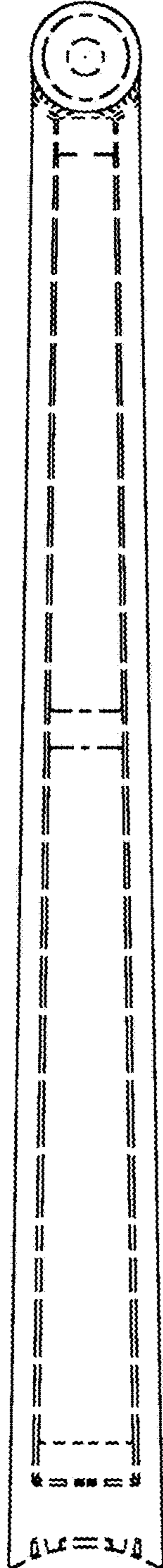
**FIG. 15**



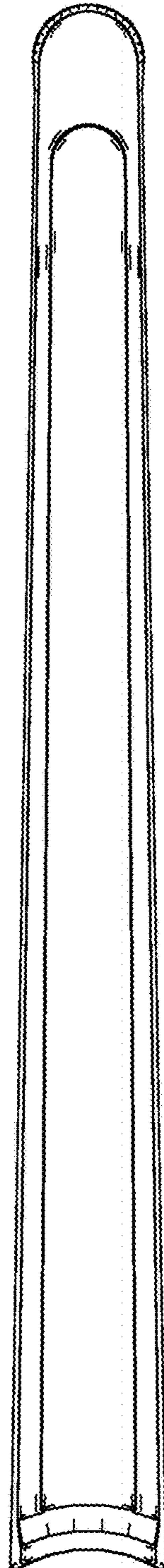
**FIG. 16**

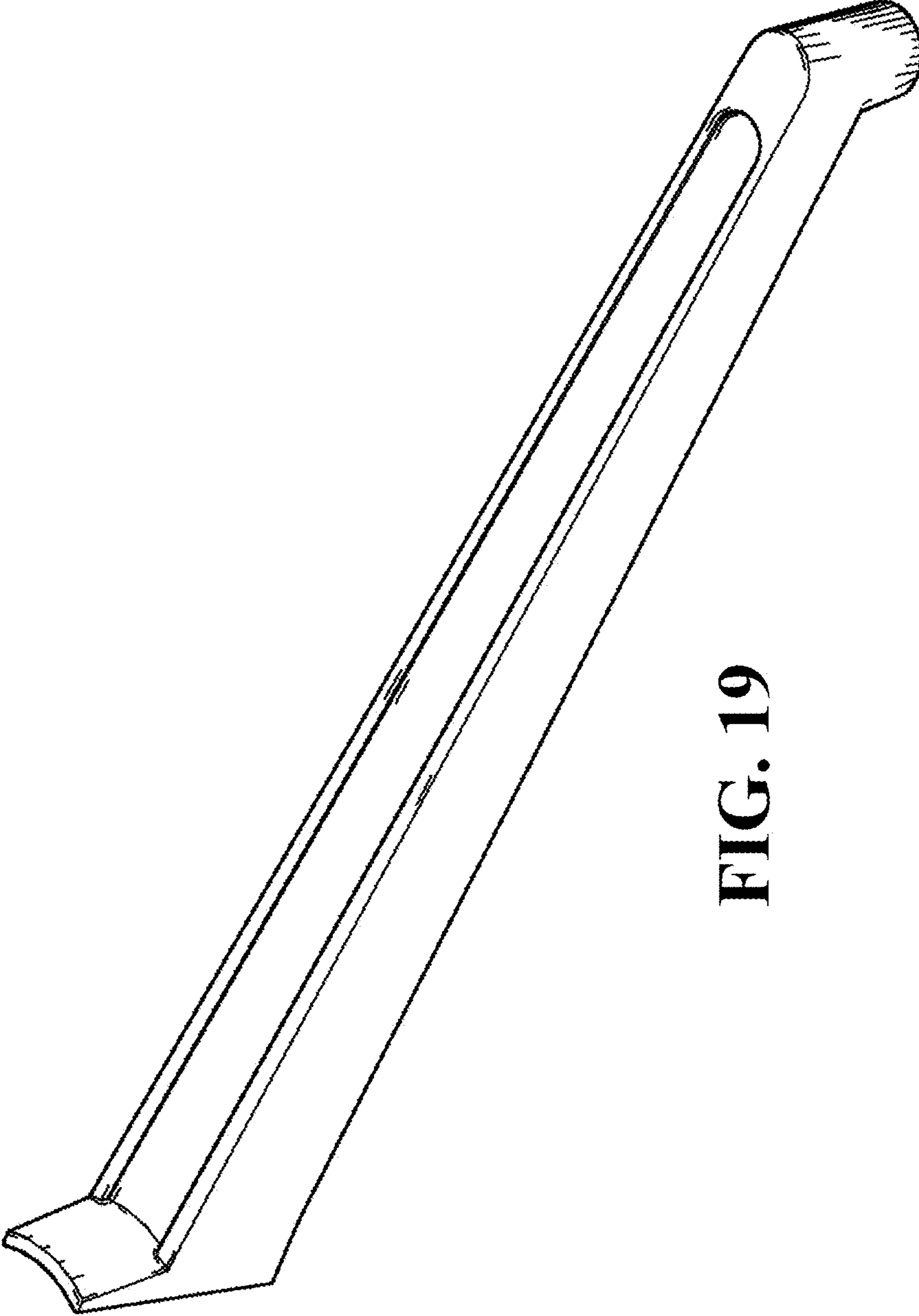


**FIG. 17**



**FIG. 18**





**FIG. 19**

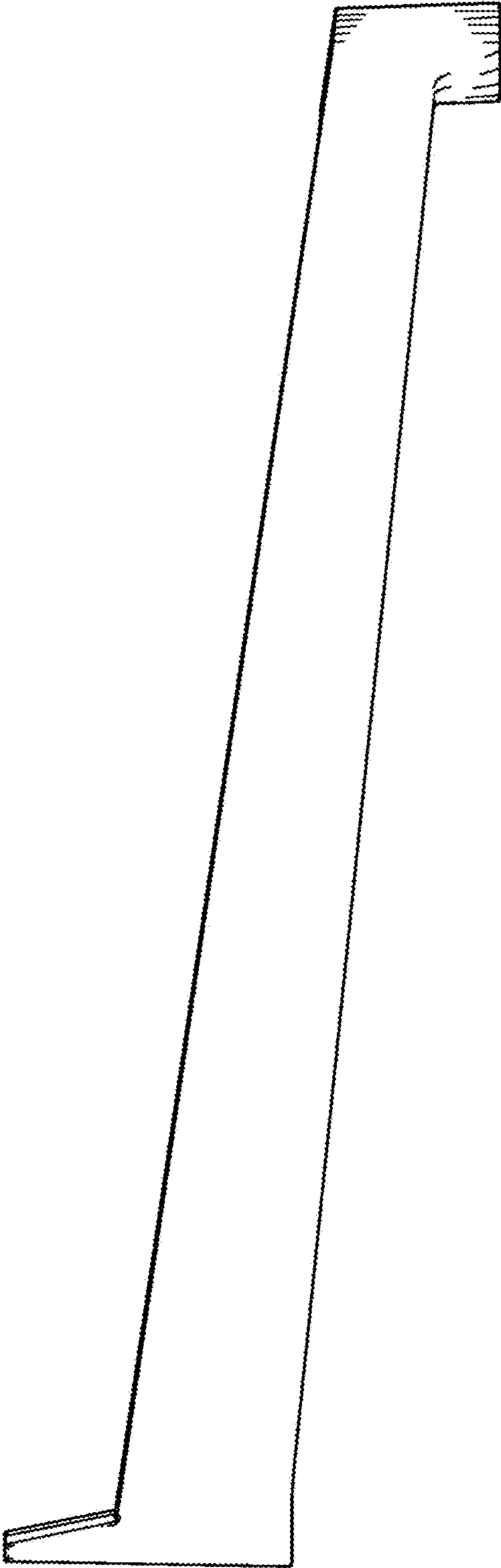
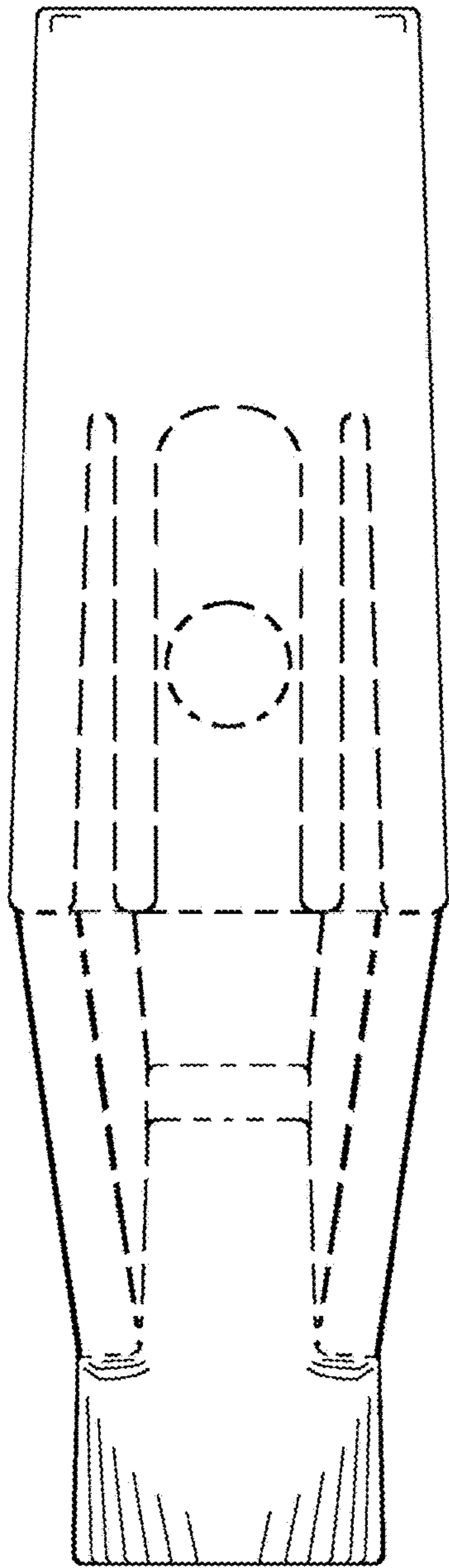


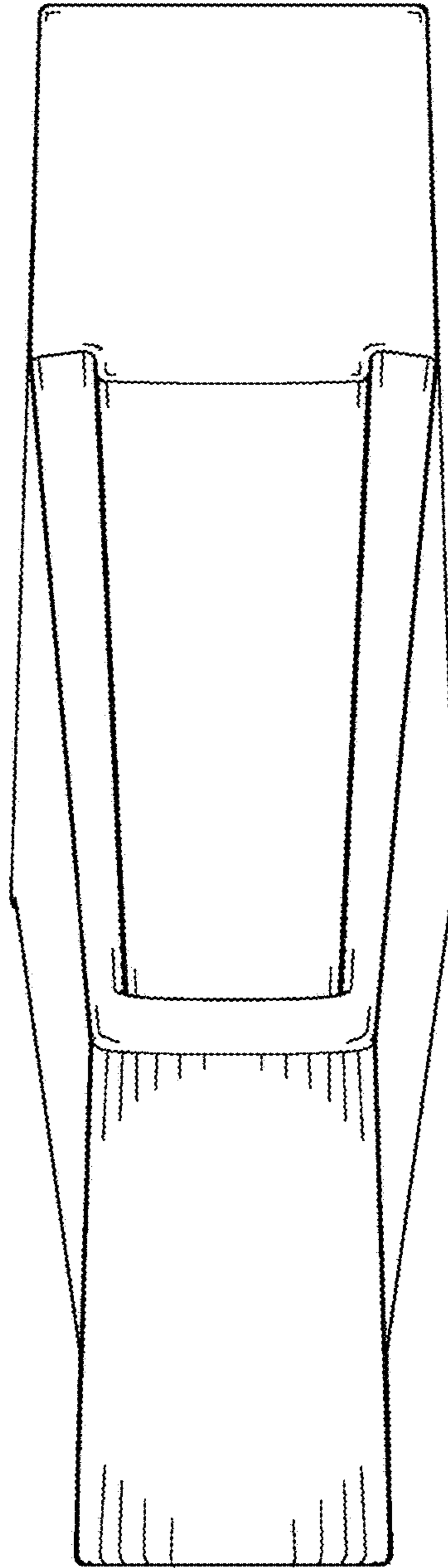
FIG. 20



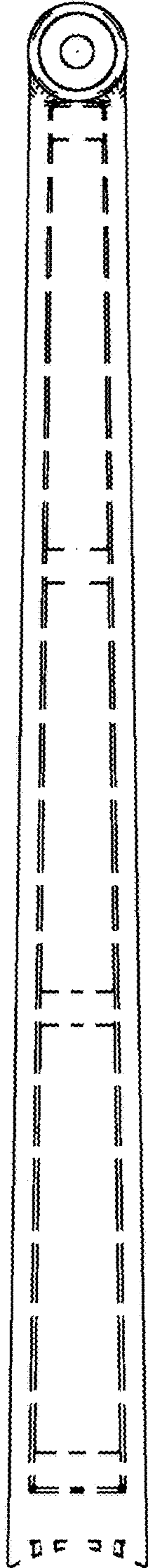
**FIG. 21**



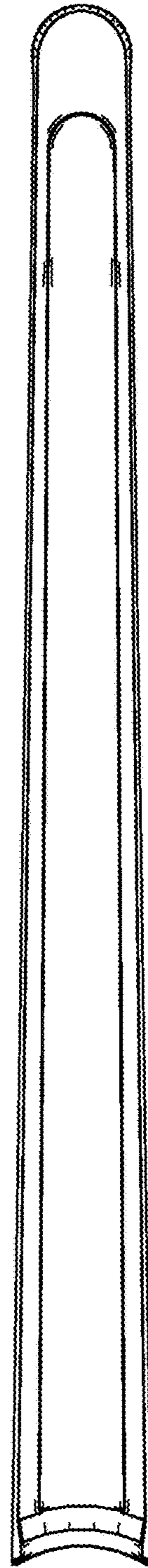
**FIG. 22**

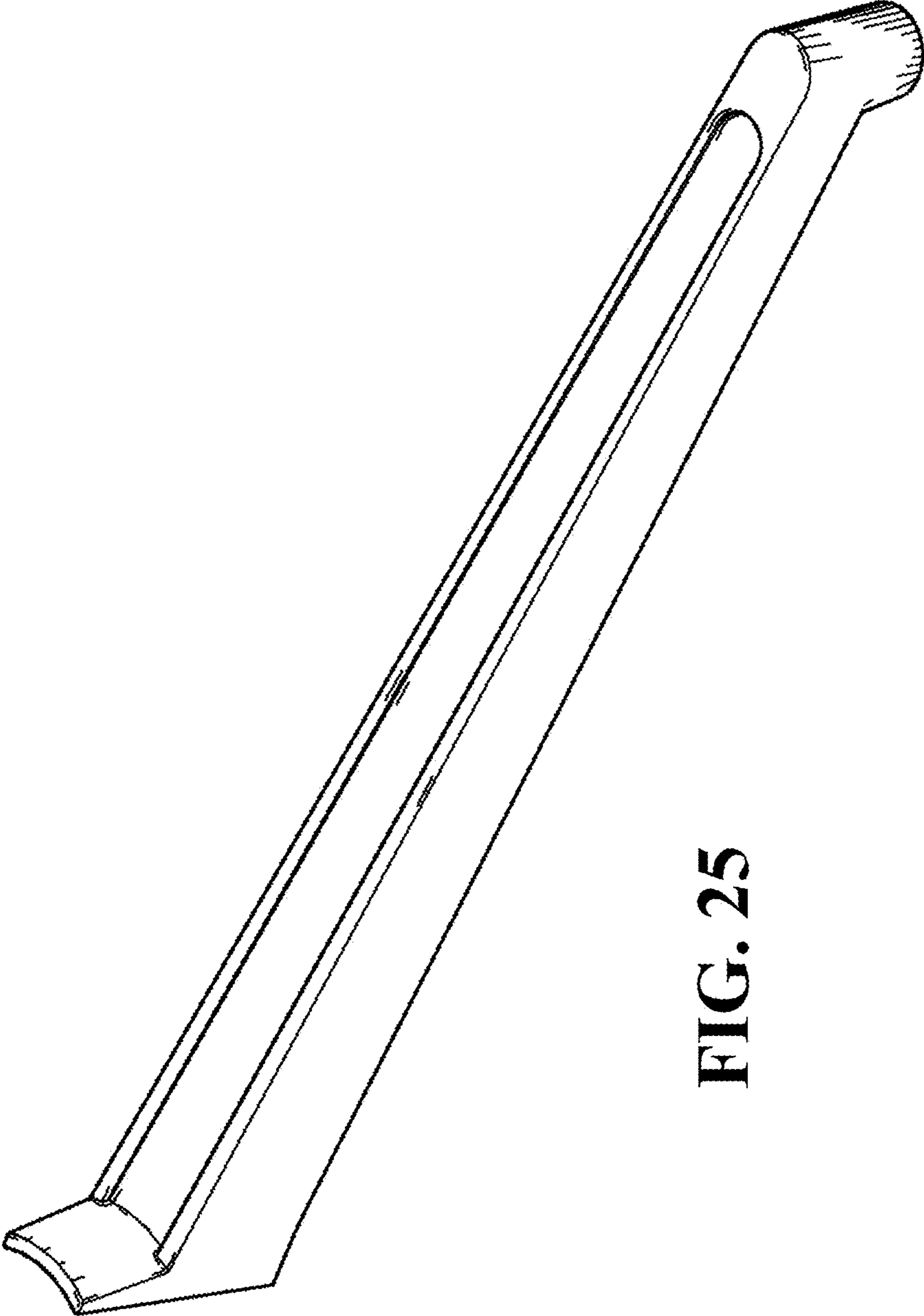


**FIG. 23**



**FIG. 24**





**FIG. 25**

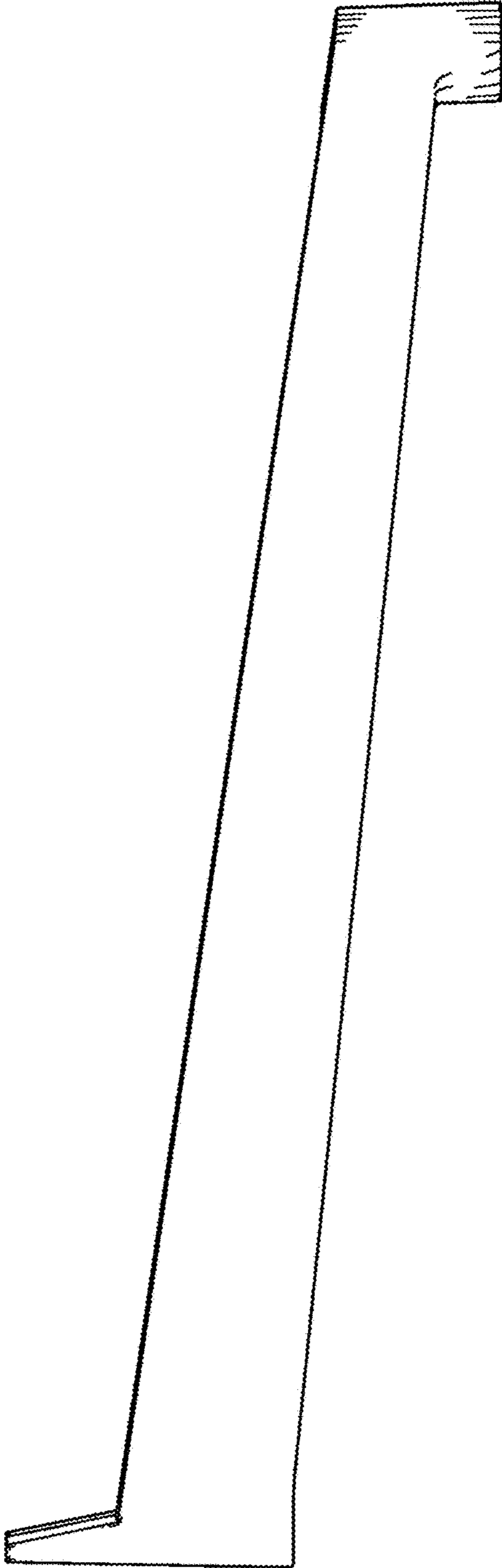
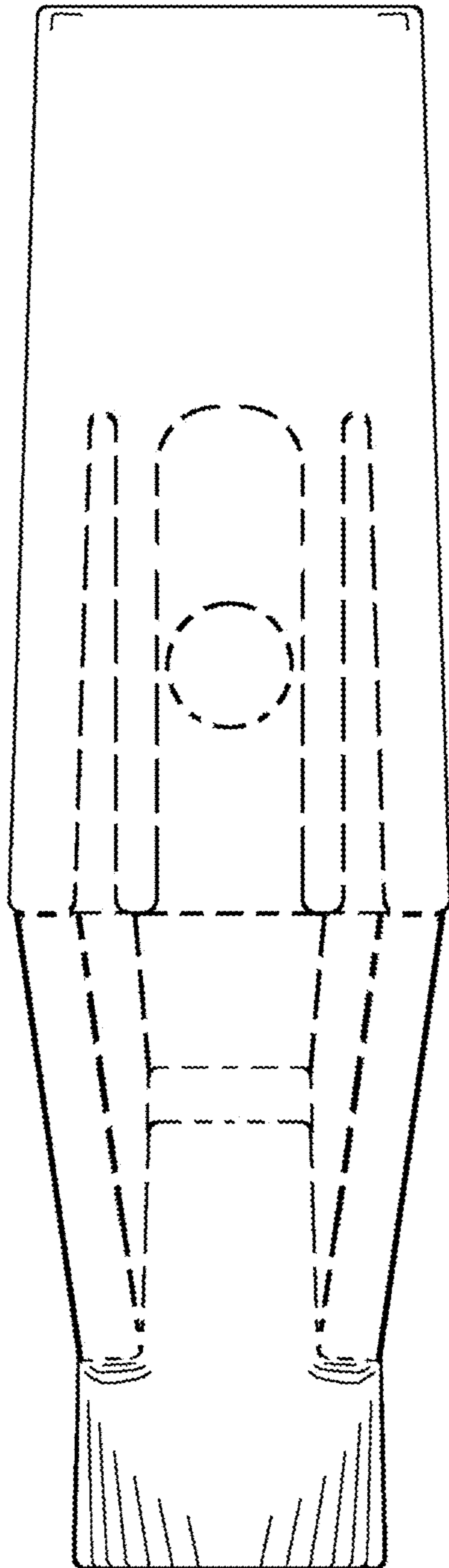
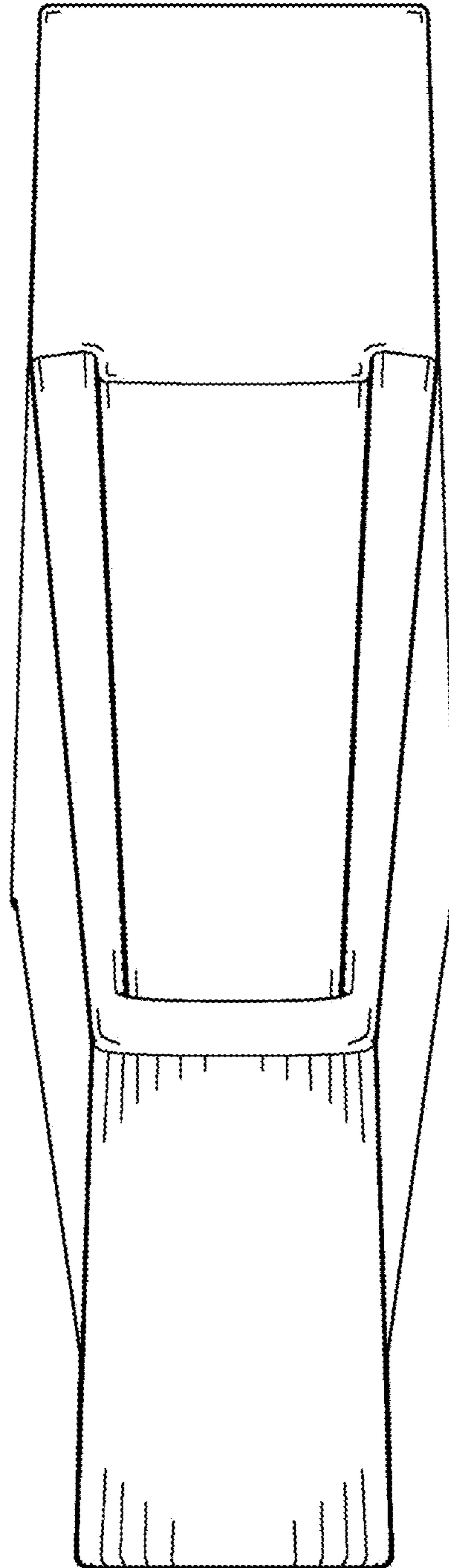


FIG. 26

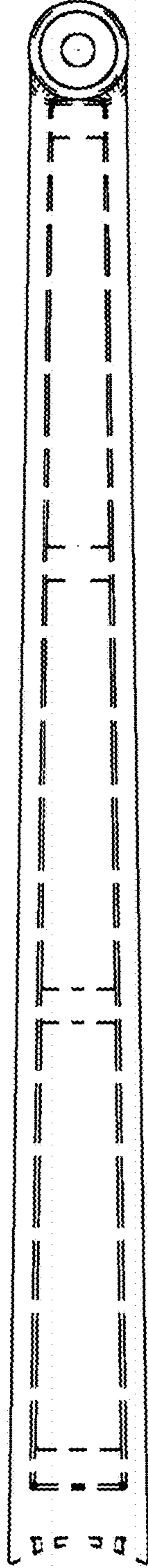
**FIG. 27**



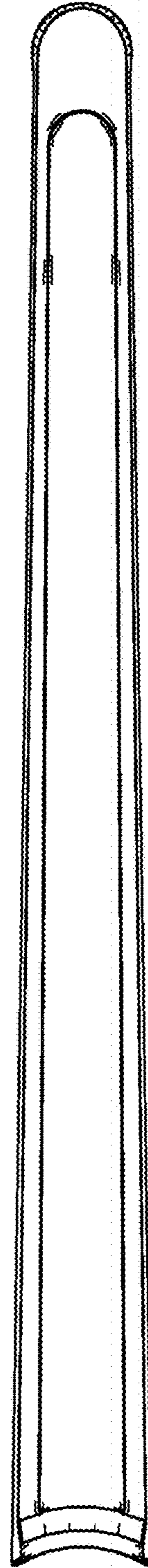
**FIG. 28**

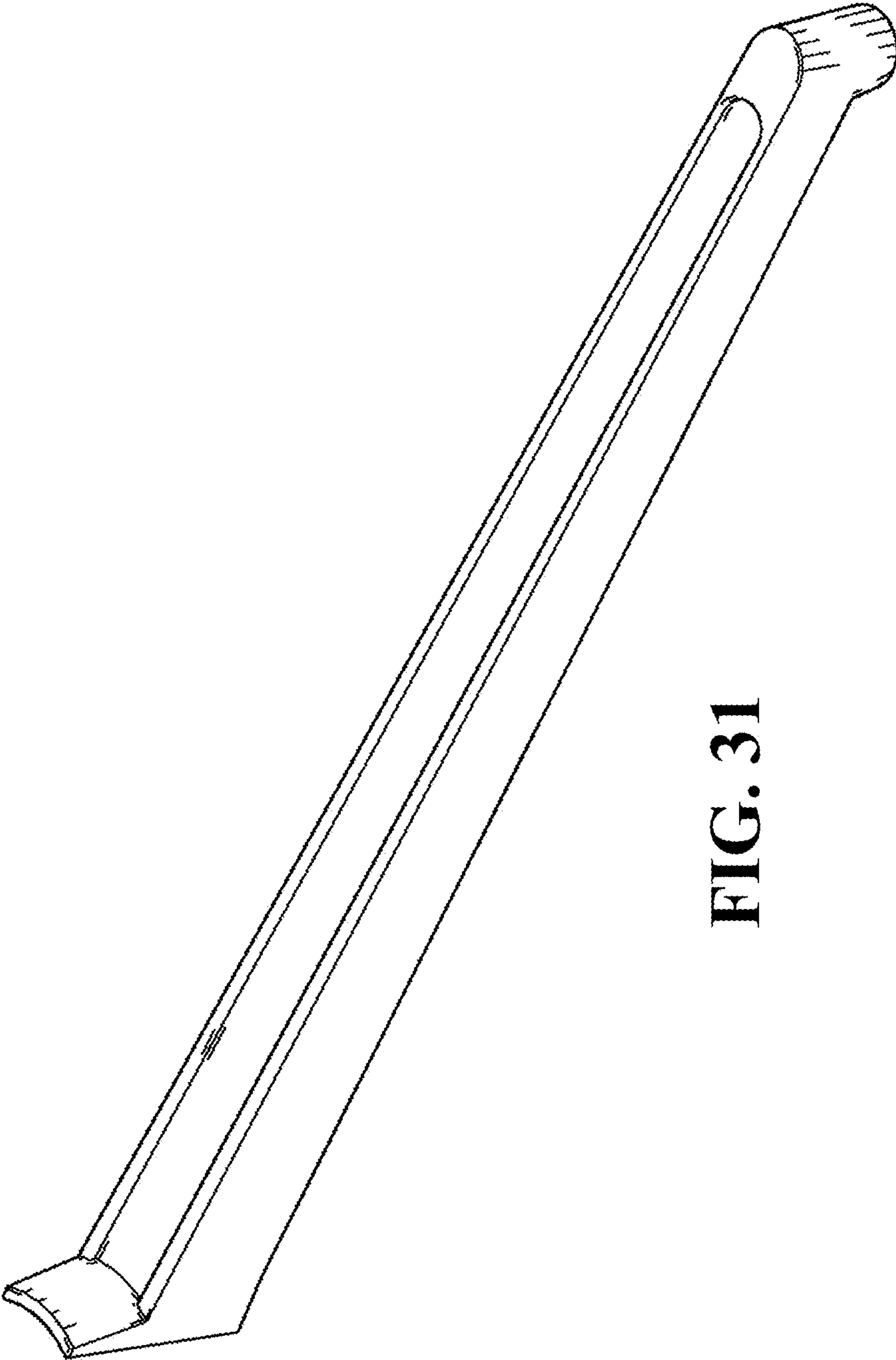


**FIG. 29**

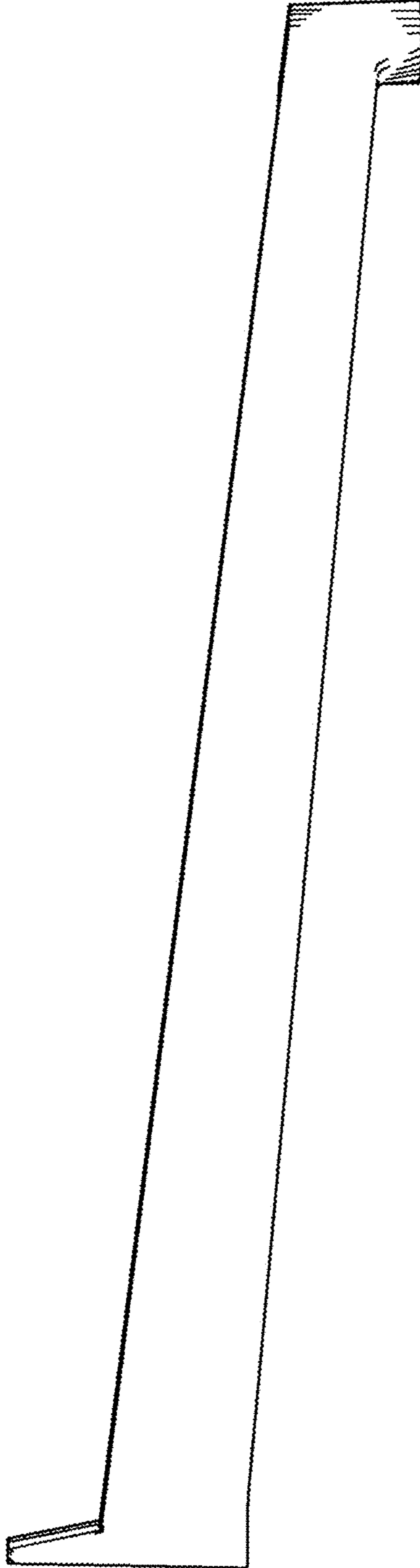


**FIG. 30**





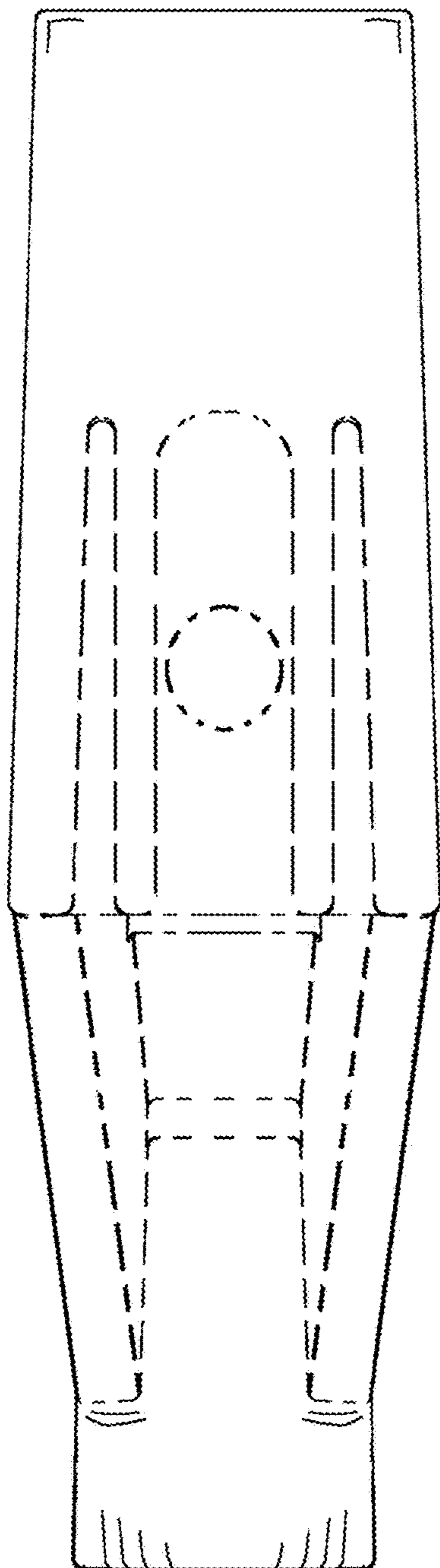
**FIG. 31**



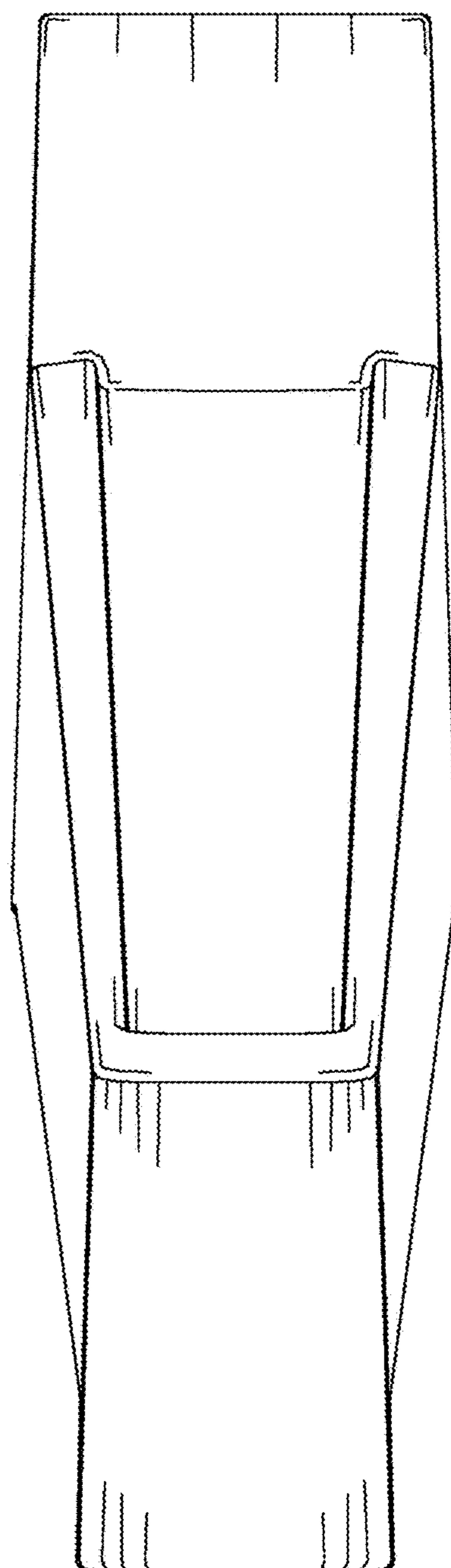
**FIG. 32**



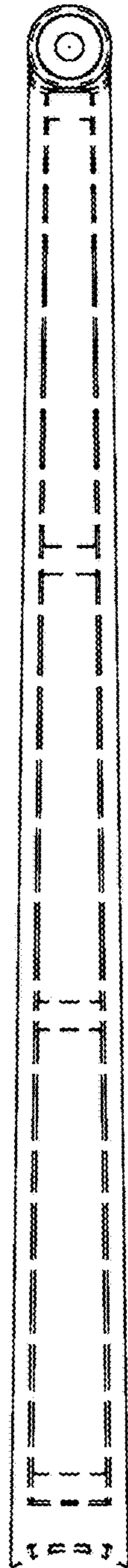
**FIG. 33**



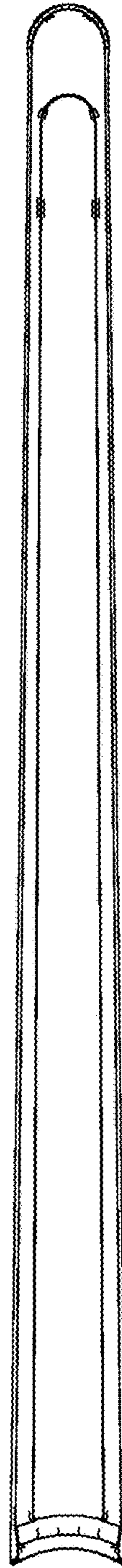
**FIG. 34**



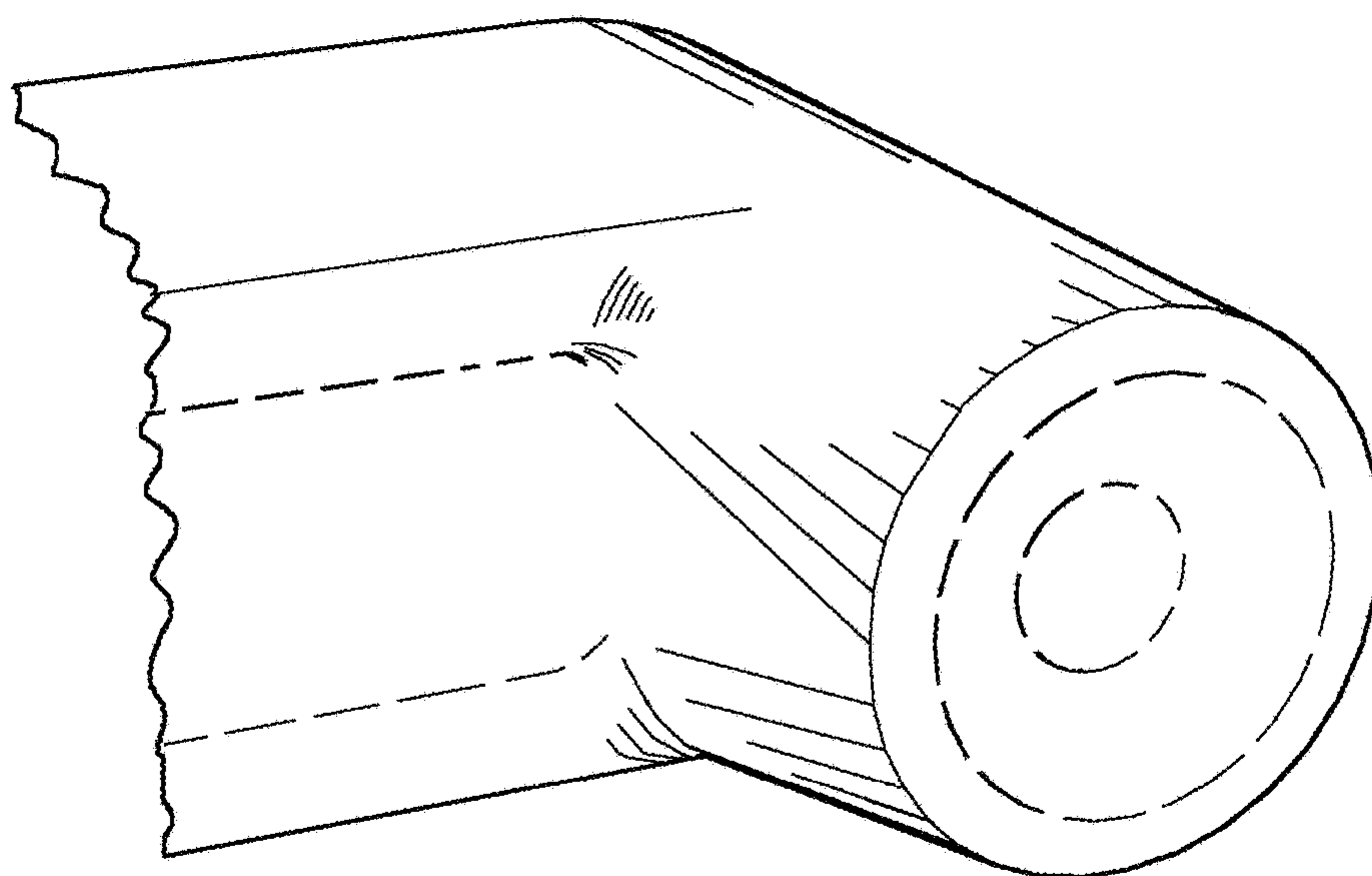
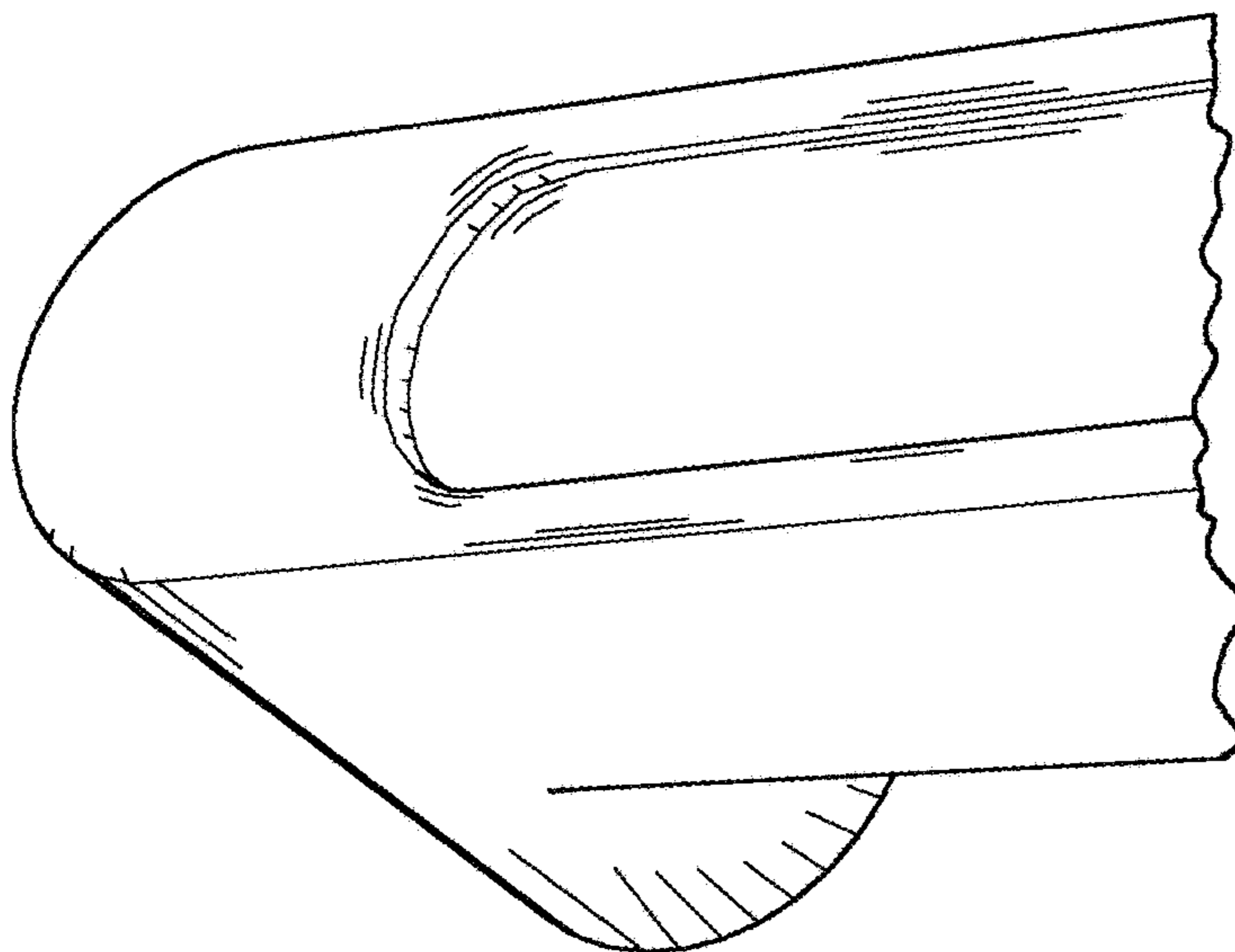
**FIG. 35**



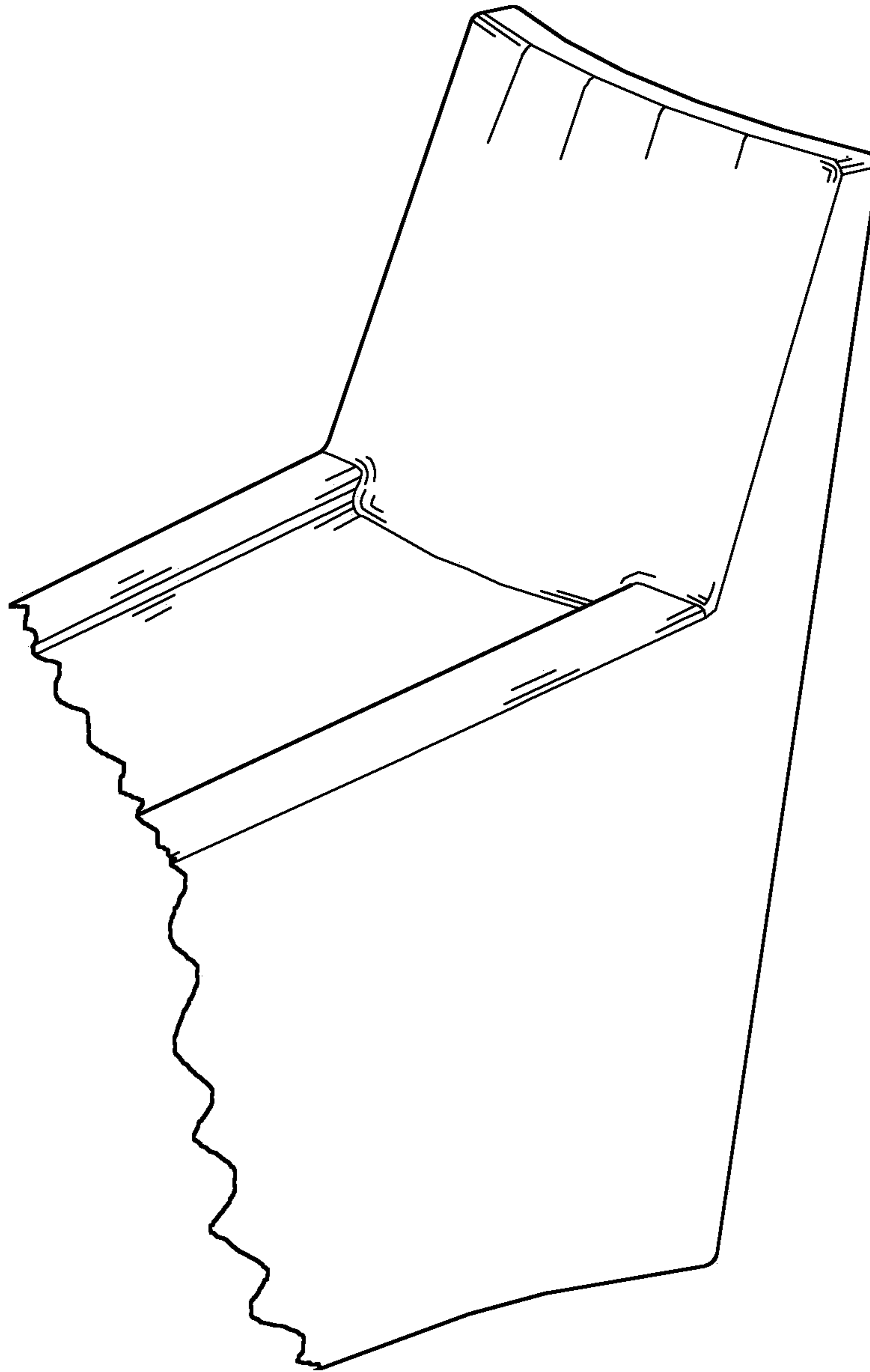
**FIG. 36**



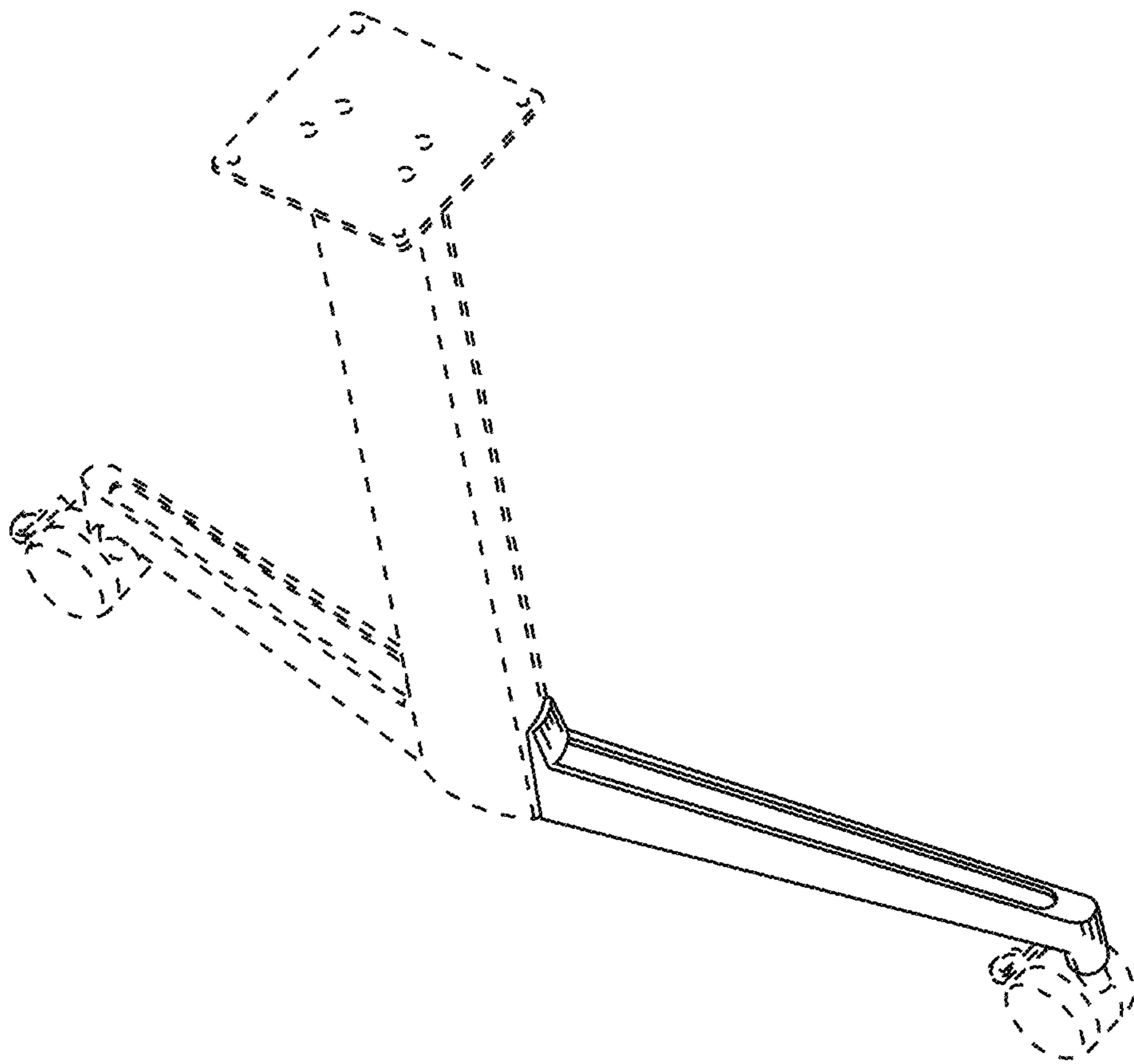
**FIG. 37**



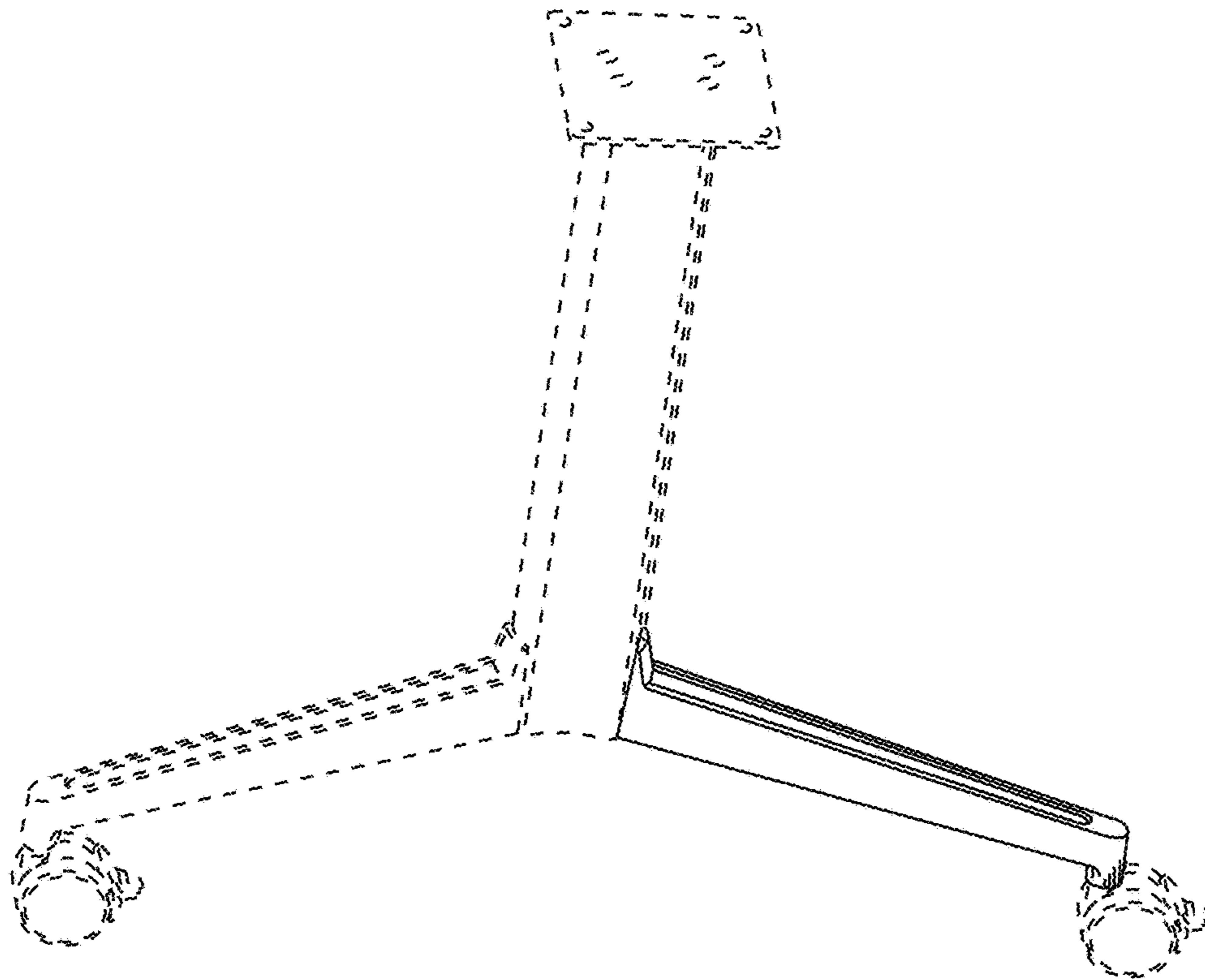
**FIG. 38**



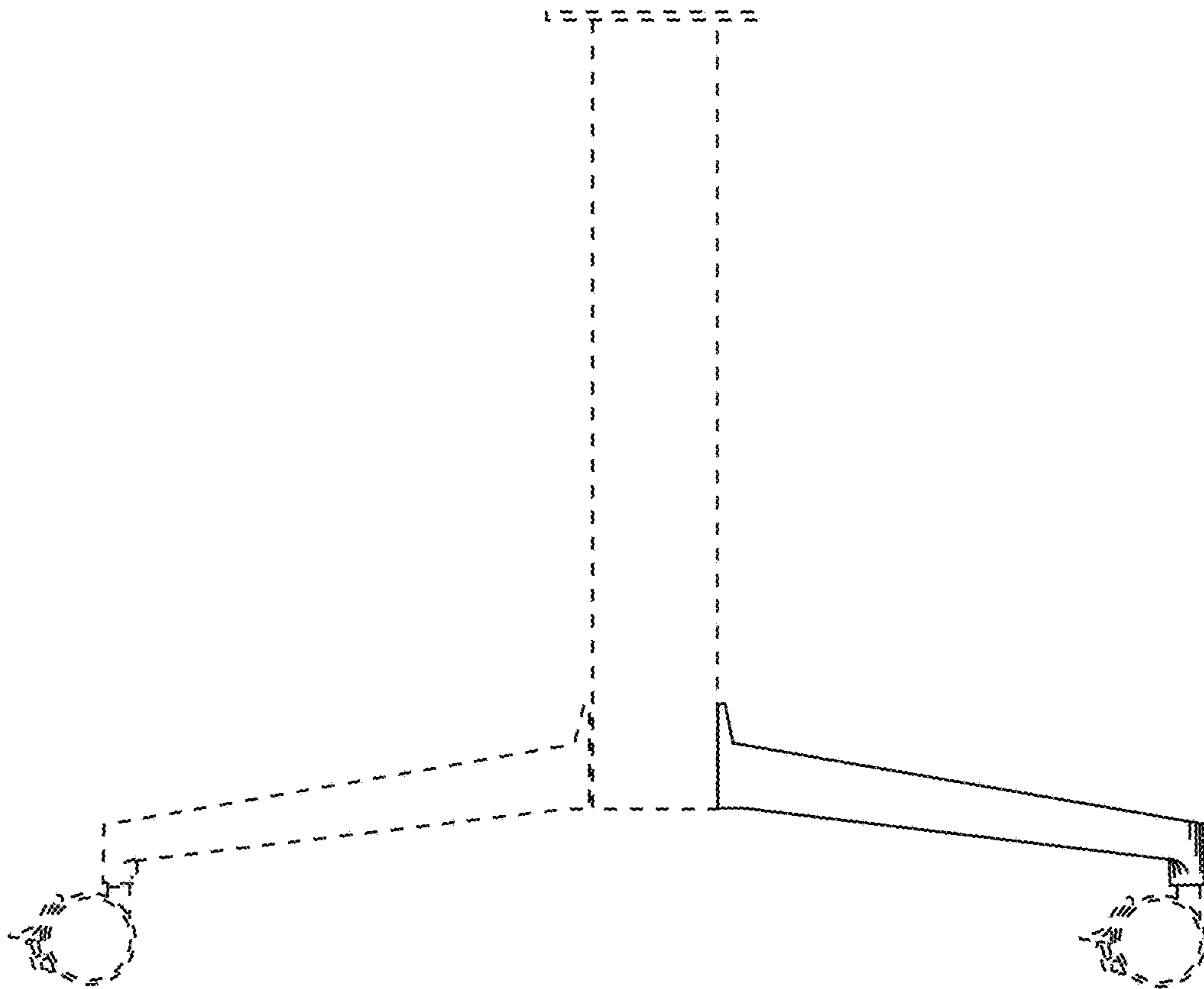
**FIG. 39**



**FIG. 40**

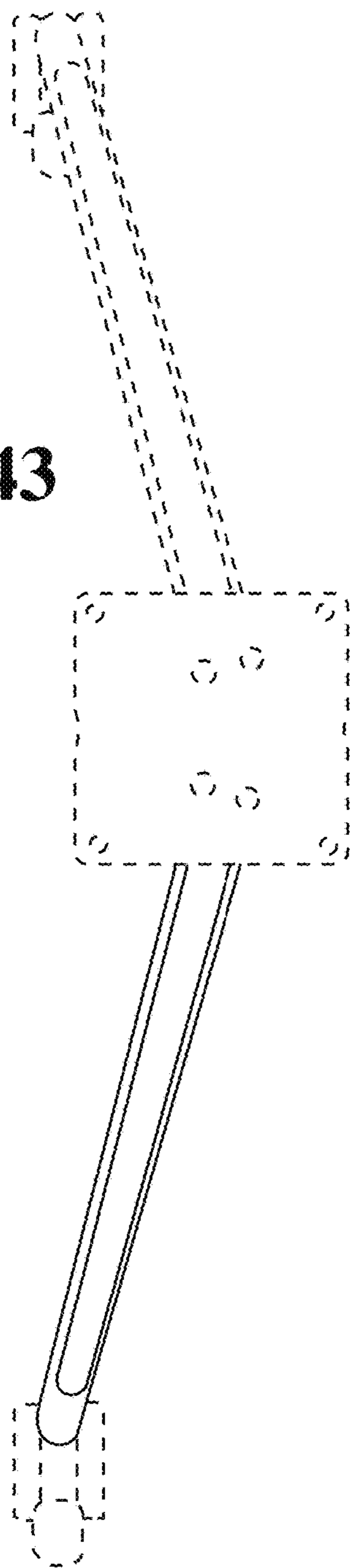


**FIG. 41**

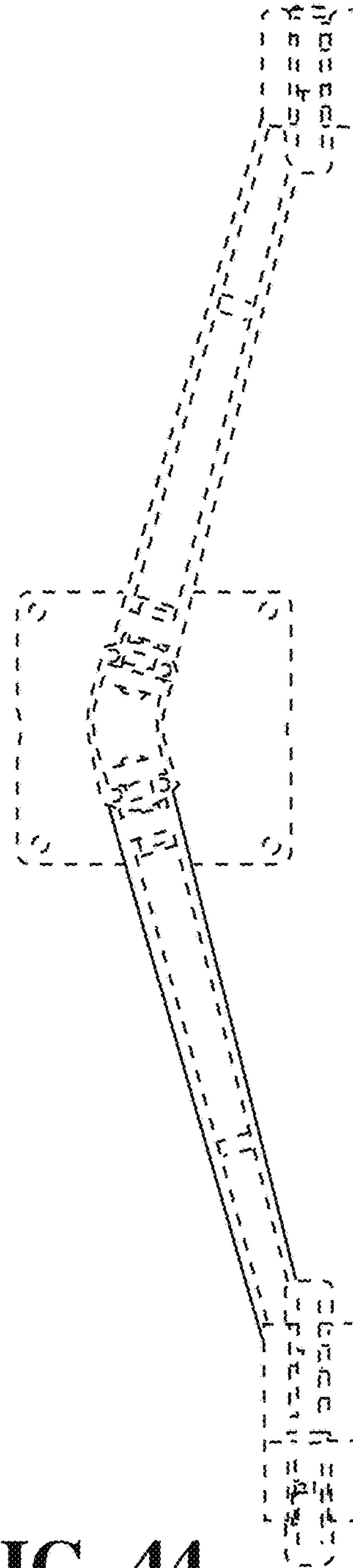


**FIG. 42**

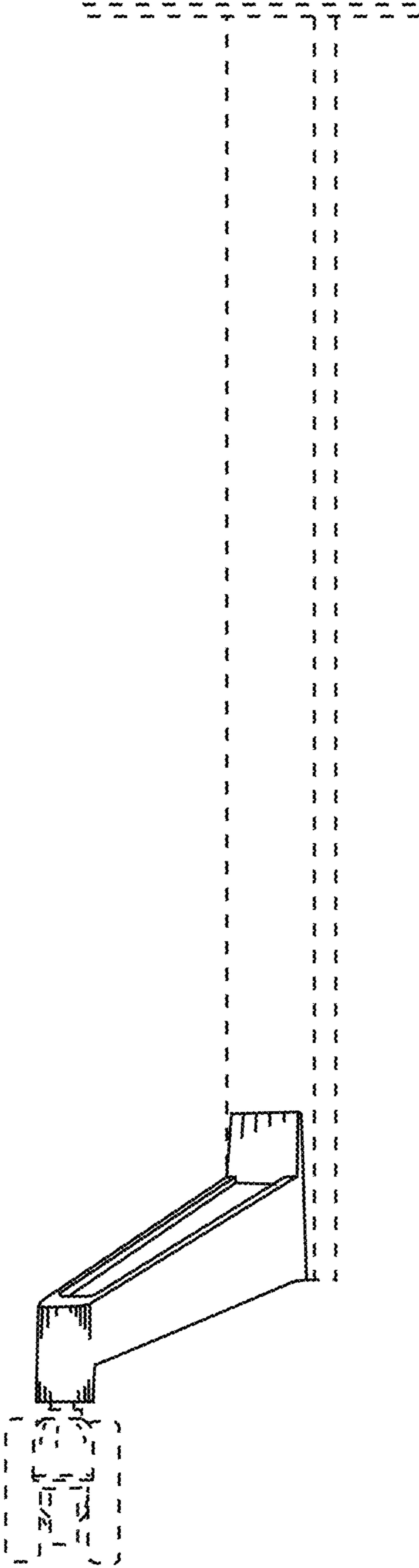
**FIG. 43**



**FIG. 44**







**FIG. 45**

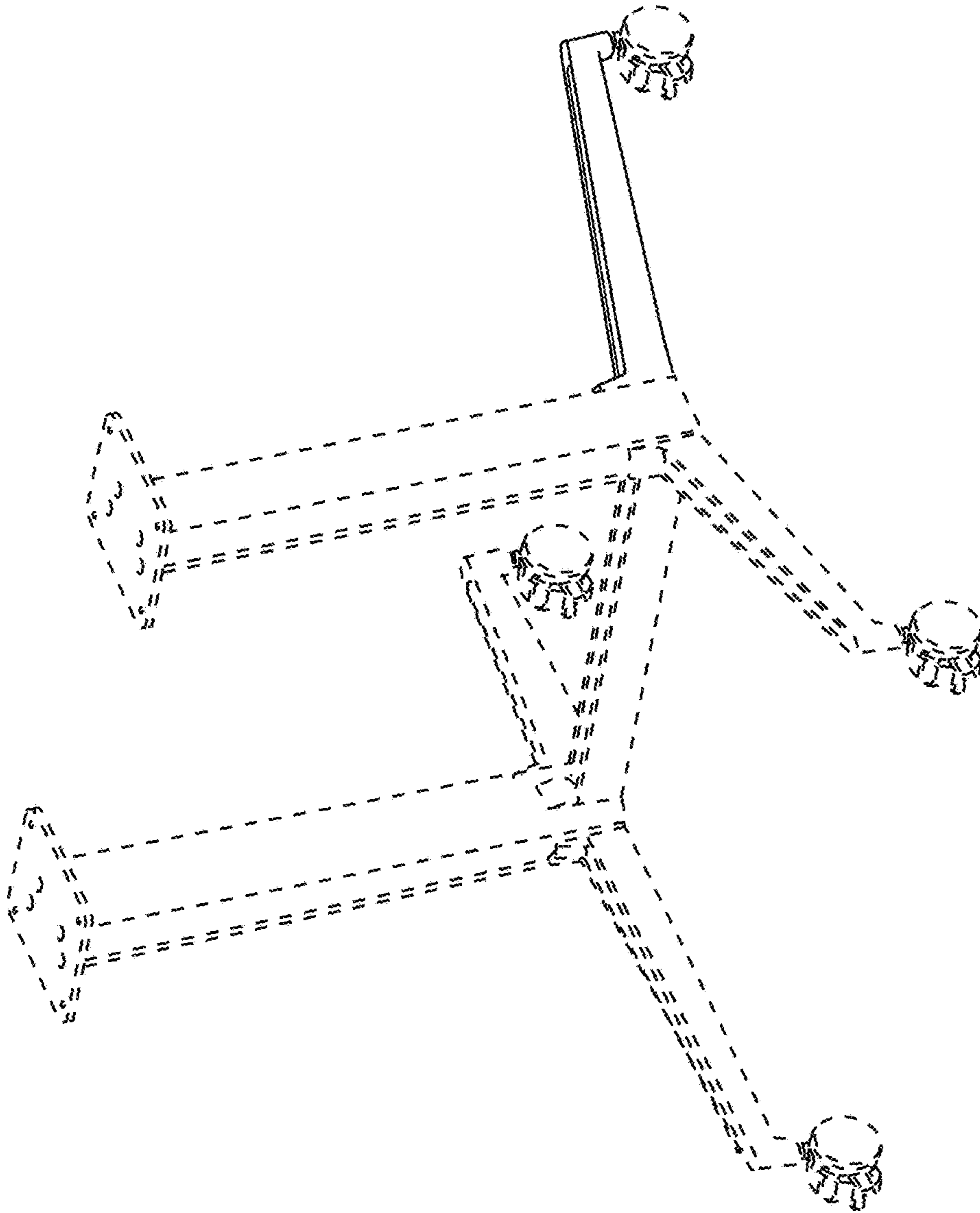


FIG. 46