



US00D807670S

(12) **United States Design Patent**
Dawson, Jr.

(10) **Patent No.:** **US D807,670 S**
(45) **Date of Patent:** **** Jan. 16, 2018**

- (54) **DISPLAY CABINET FOR COINS**
- (71) Applicant: **Albert Collin Dawson, Jr.**, Johnson City, TN (US)
- (72) Inventor: **Albert Collin Dawson, Jr.**, Johnson City, TN (US)
- (**) Term: **15 Years**
- (21) Appl. No.: **29/565,753**
- (22) Filed: **May 24, 2016**
- (51) **LOC (11) Cl.** **06-04**
- (52) **U.S. Cl.**
USPC **D6/671.1**
- (58) **Field of Classification Search**
USPC D6/663, 666, 559-561, 699, 334-336, D6/349, 351, 352, 358, 360, 364, 365, D6/366, 374, 375, 379, 380, 611, 632, D6/657, 662.1, 668.1, 668.2, 669, 671, D6/671.1, 672, 674, 675, 675.1, 675.3, D6/683, 683.1, 685, 691, 691.5, 702, 703, D6/703.1, 708, 708.2, 708.21, 708.25, D6/716, 716.1-716.4; D3/269, 296, 304, D3/307, 309; D7/333, 368; D13/184; D23/286, 343, 342; D24/227-230; D25/48.4, 113, 163
CPC A47B 88/427; A47B 67/04; A47B 43/00; A47B 47/042; A47B 47/02; A47B 49/006; A47B 46/00; A47B 81/002; A47B 87/0215; A47B 96/02; A47B 96/022; A24F 25/02; E05B 17/2034; A47K 3/281; A01K 15/025; H02B 1/013; H02B 1/014; H02B 1/308; E06B 3/7001; G09B 25/00; B22F 3/1055
See application file for complete search history.

D448,586 S * 10/2001 O'Hare D6/668.2
D451,700 S * 12/2001 Vaaler D6/671.1
D534,738 S * 1/2007 Domack D6/671.1

(Continued)

Primary Examiner — Kevin K Rudzinski
Assistant Examiner — Paul D Bohannon
(74) *Attorney, Agent, or Firm* — Pitts & Lake, P.C.

(57) **CLAIM**

I claim the ornamental design for a display cabinet for coins, as shown and described.

DESCRIPTION

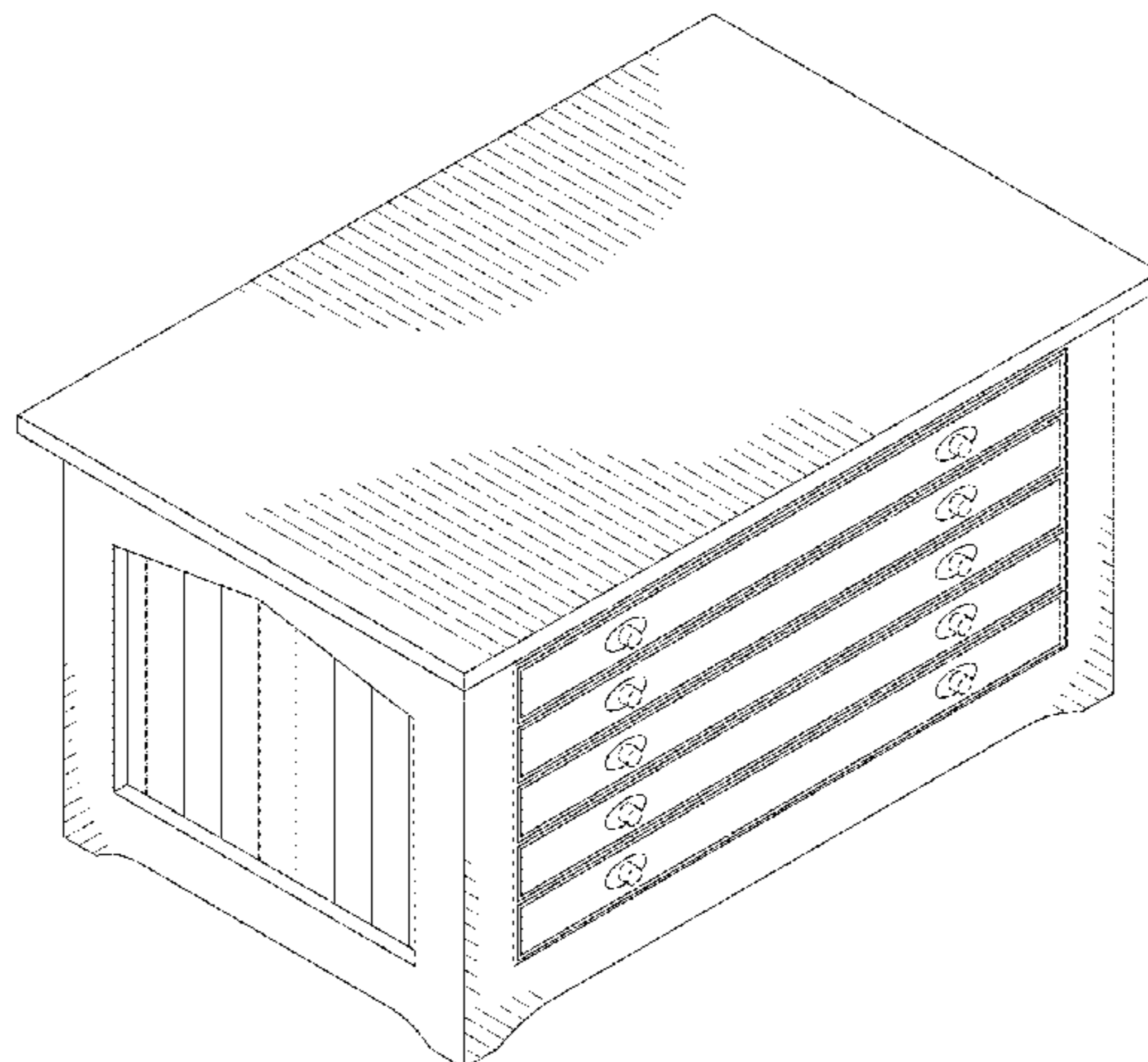
FIG. 1 is a perspective view of one embodiment of a display cabinet for coins, the display cabinet having five drawers; FIG. 2 is a front elevation view of the display cabinet of FIG. 1; FIG. 3 is a rear elevation view of the display cabinet of FIG. 1; FIG. 4 is a top view the display cabinet of FIG. 1; FIG. 5 is a bottom view of the display cabinet of FIG. 1; FIG. 6 is a side elevation view of the display cabinet of FIG. 1; FIG. 7 is a perspective view of one embodiment of a display cabinet for coins, the display cabinet having eight drawers; FIG. 8 is a front elevation view of the display cabinet of FIG. 7; FIG. 9 is a rear elevation view of the display cabinet of FIG. 7; FIG. 10 is a top view the display cabinet of FIG. 7; FIG. 11 is a bottom view of the display cabinet of FIG. 7; and, FIG. 12 is a side elevation view of the display cabinet of FIG. 7.
The features of the display cabinet shown in broken lines are for illustrative purposes only and form no part of the claimed design.

(56) **References Cited**

U.S. PATENT DOCUMENTS

- 5,632,542 A * 5/1997 Krivec A47B 88/427 312/334.7
- D441,221 S * 5/2001 O'Hare D6/671.1

1 Claim, 8 Drawing Sheets



(56)

References Cited

U.S. PATENT DOCUMENTS

D569,654	S *	5/2008	Thompson	D6/661
D587,494	S *	3/2009	Cramer	D6/661
D623,442	S *	9/2010	Zambelli	D6/661
D643,216	S *	8/2011	Greiner	D3/296
D662,333	S *	6/2012	Hoff	D6/671.1
D664,803	S *	8/2012	Argondizzo	D7/368
D666,438	S *	9/2012	Cressman	D6/705
D702,061	S *	4/2014	Sengsavang	D6/667
2003/0041868	A1 *	3/2003	Deloach	A24F 25/02 131/329
2005/0029912	A1 *	2/2005	Falke	A47B 67/04 312/330.1
2008/0258591	A1 *	10/2008	Chiang	A47B 43/00 312/317.1
2009/0013732	A1 *	1/2009	Gianelo	E05B 17/2034 70/85
2011/0260592	A1 *	10/2011	Lin	A47B 47/042 312/265.5

* cited by examiner

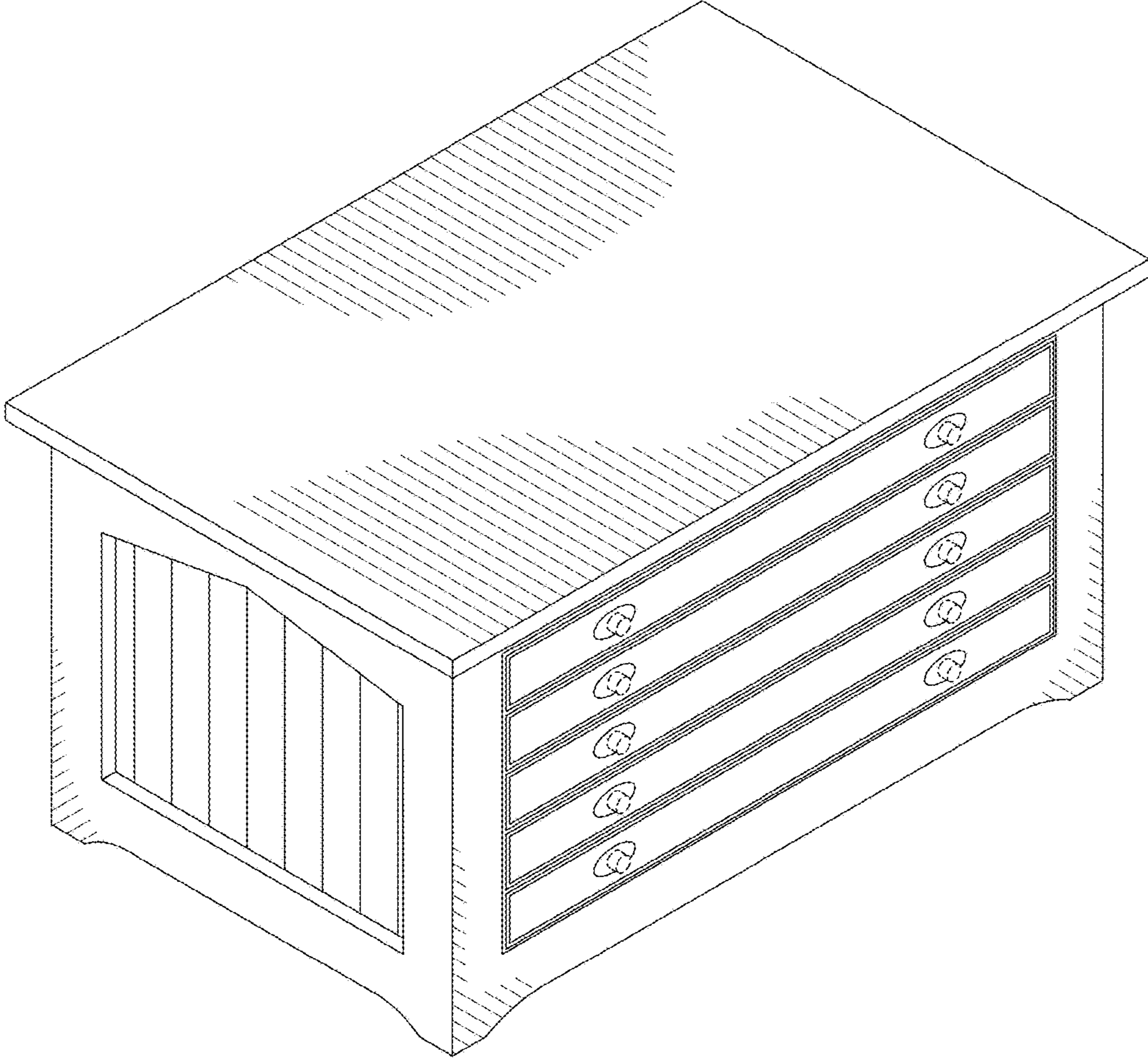


Fig. 1

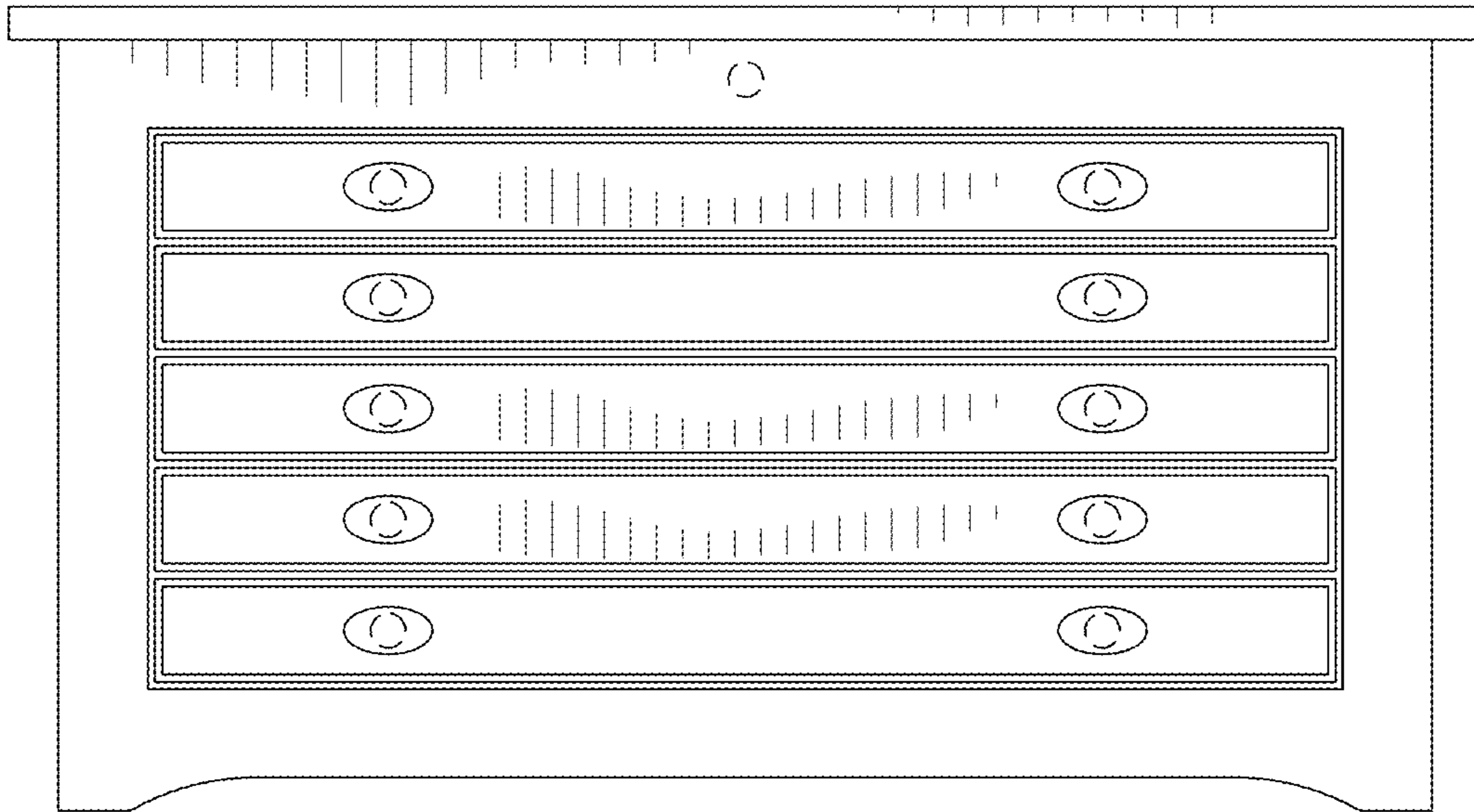


Fig. 2

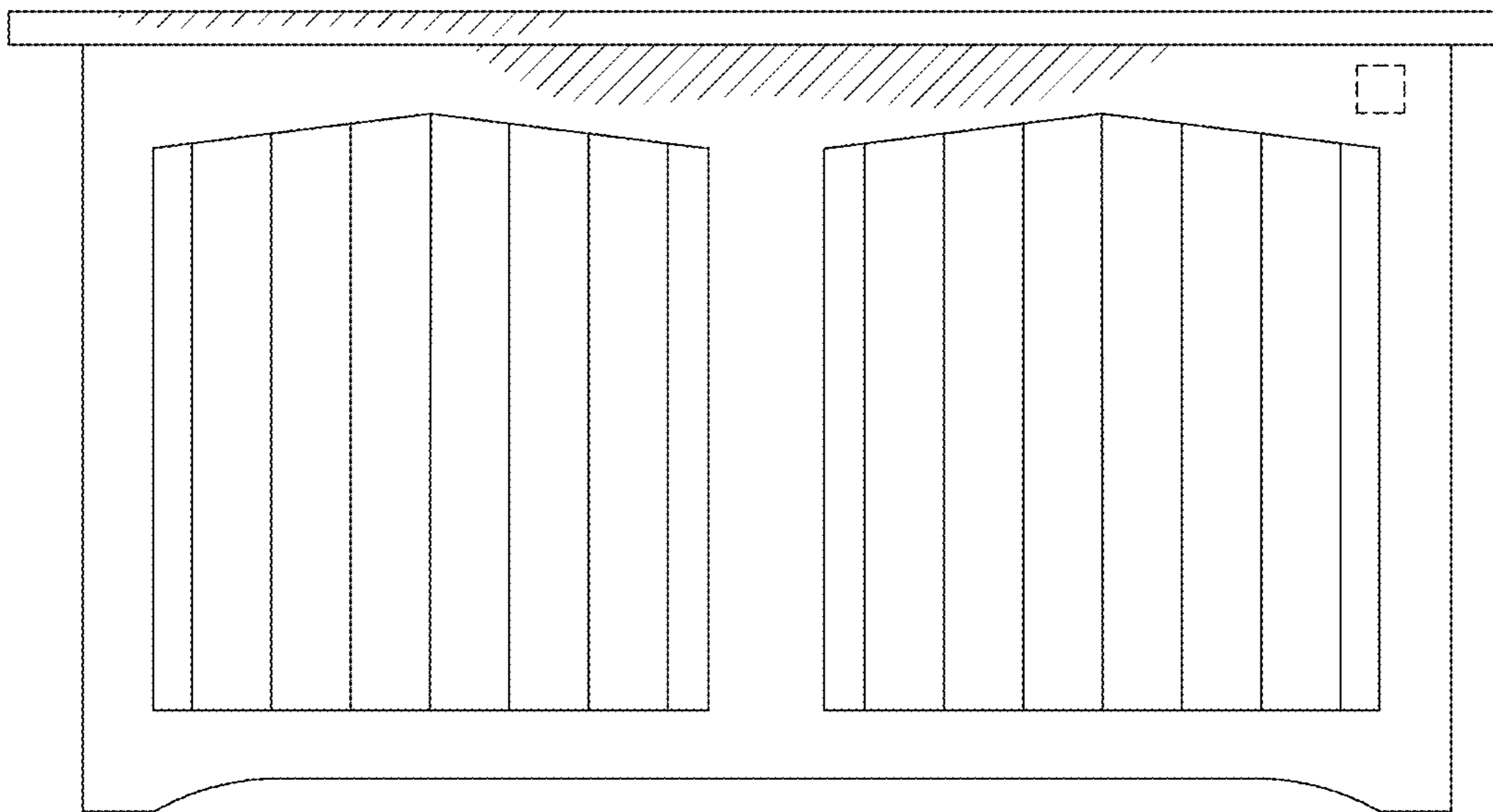


Fig. 3

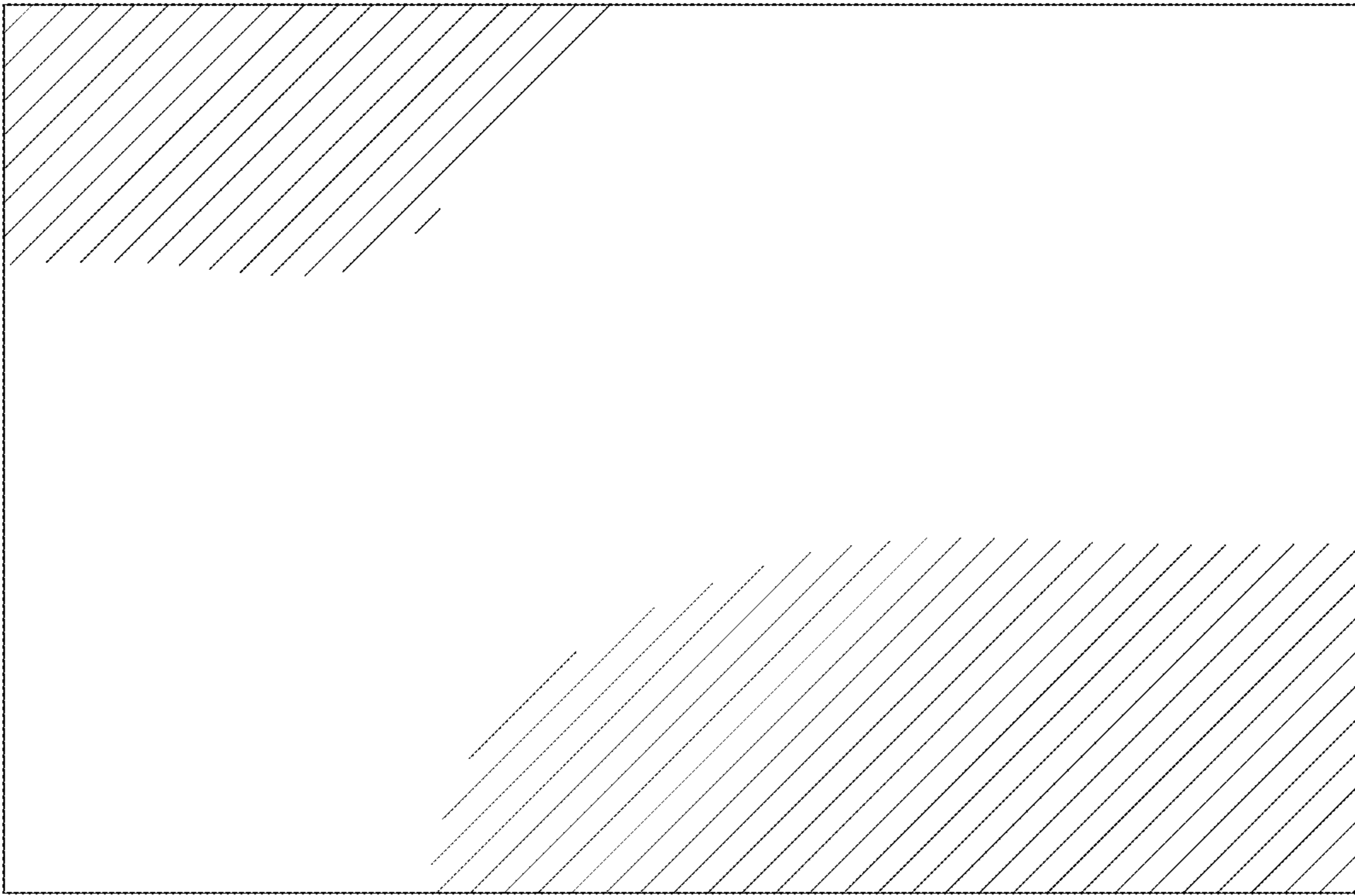


Fig. 4

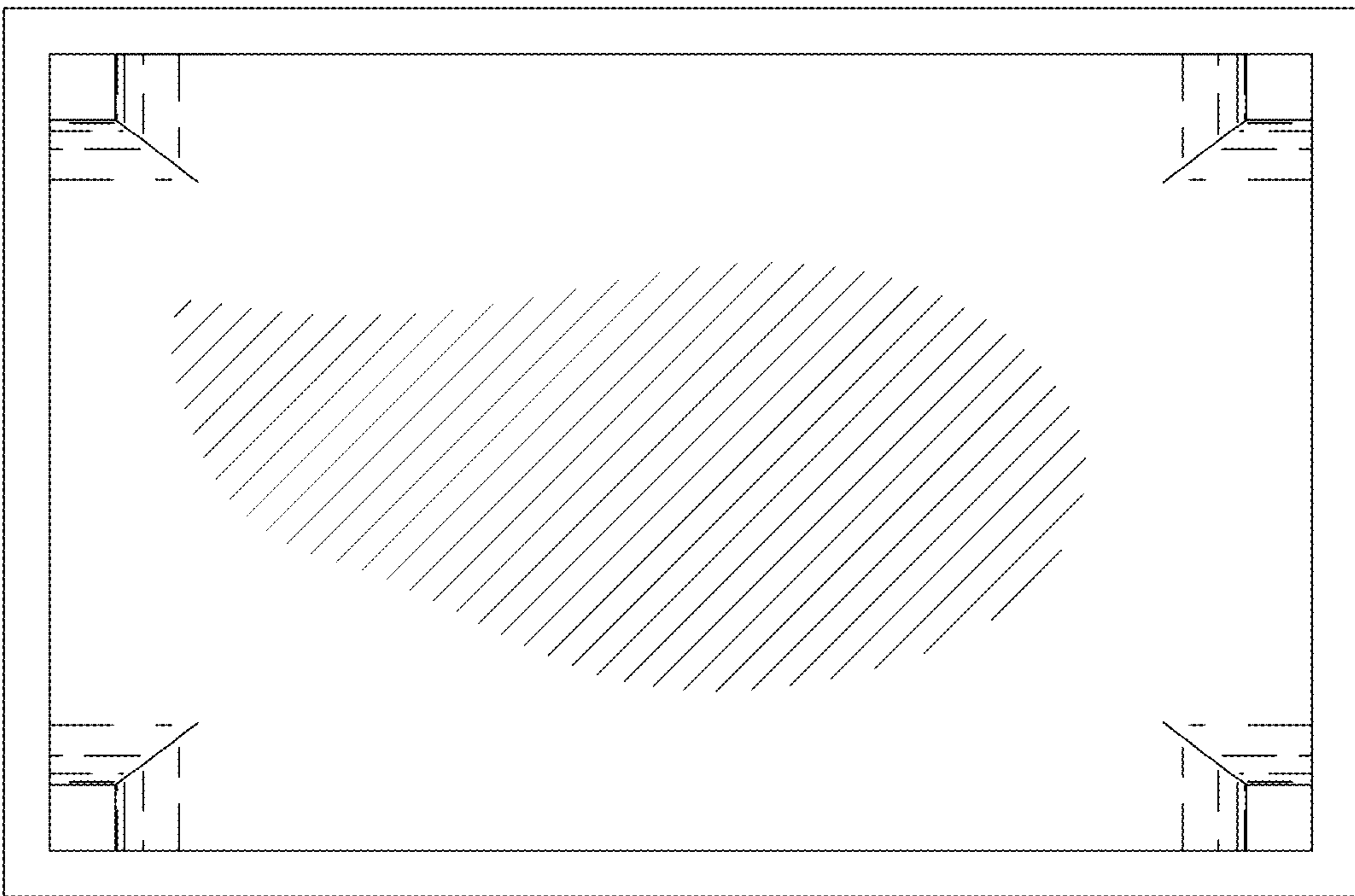


Fig. 5

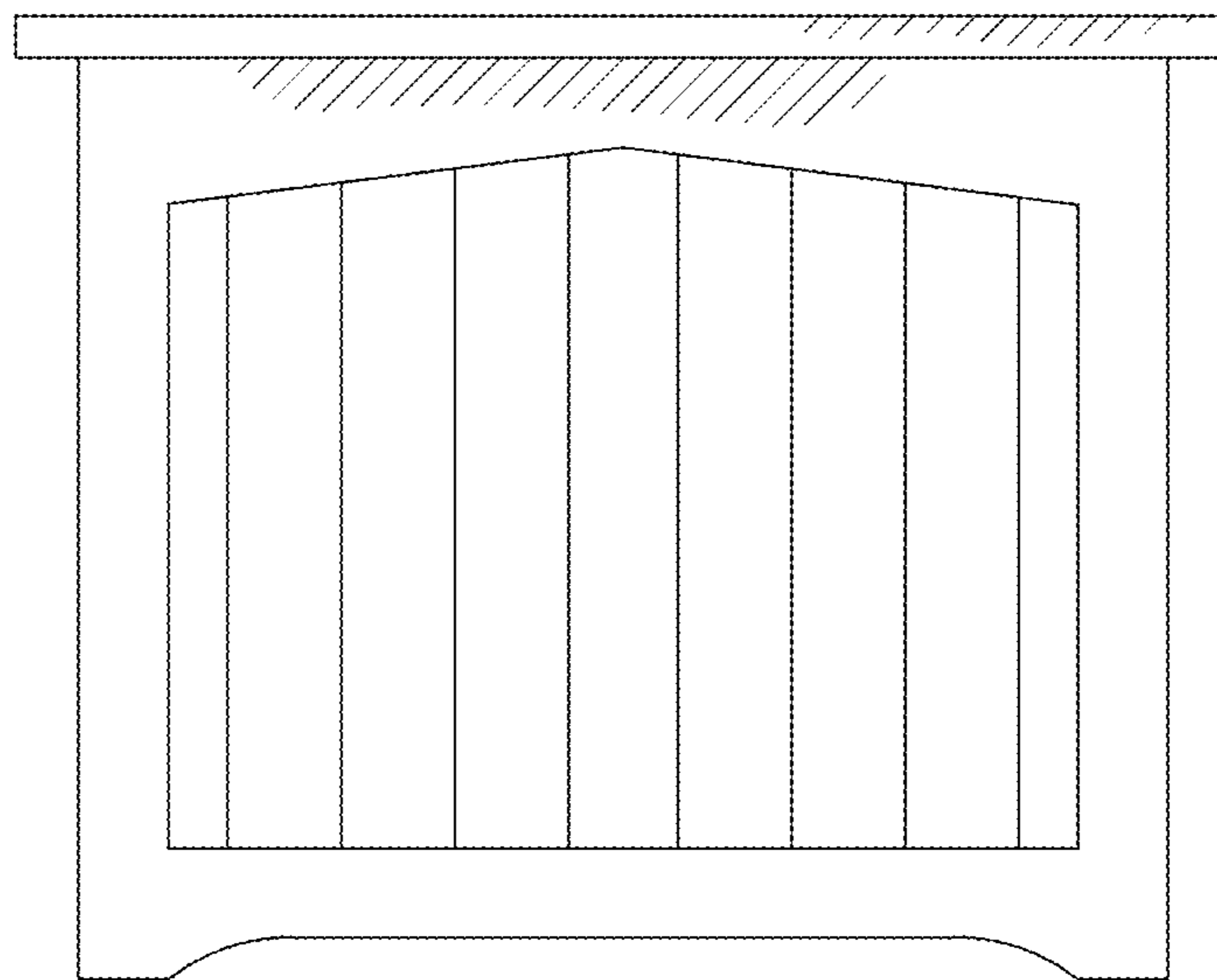


Fig.6

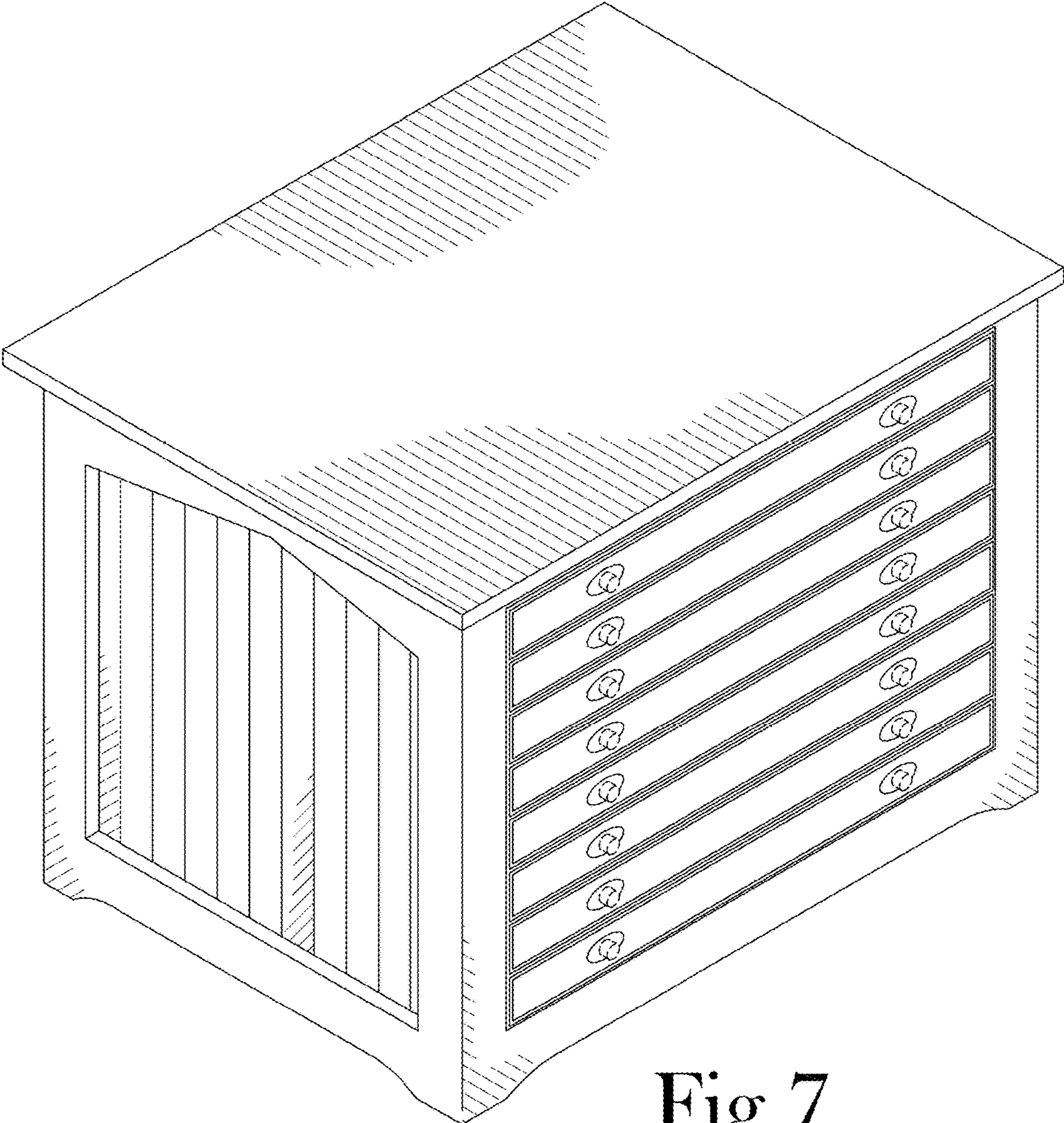


Fig. 7

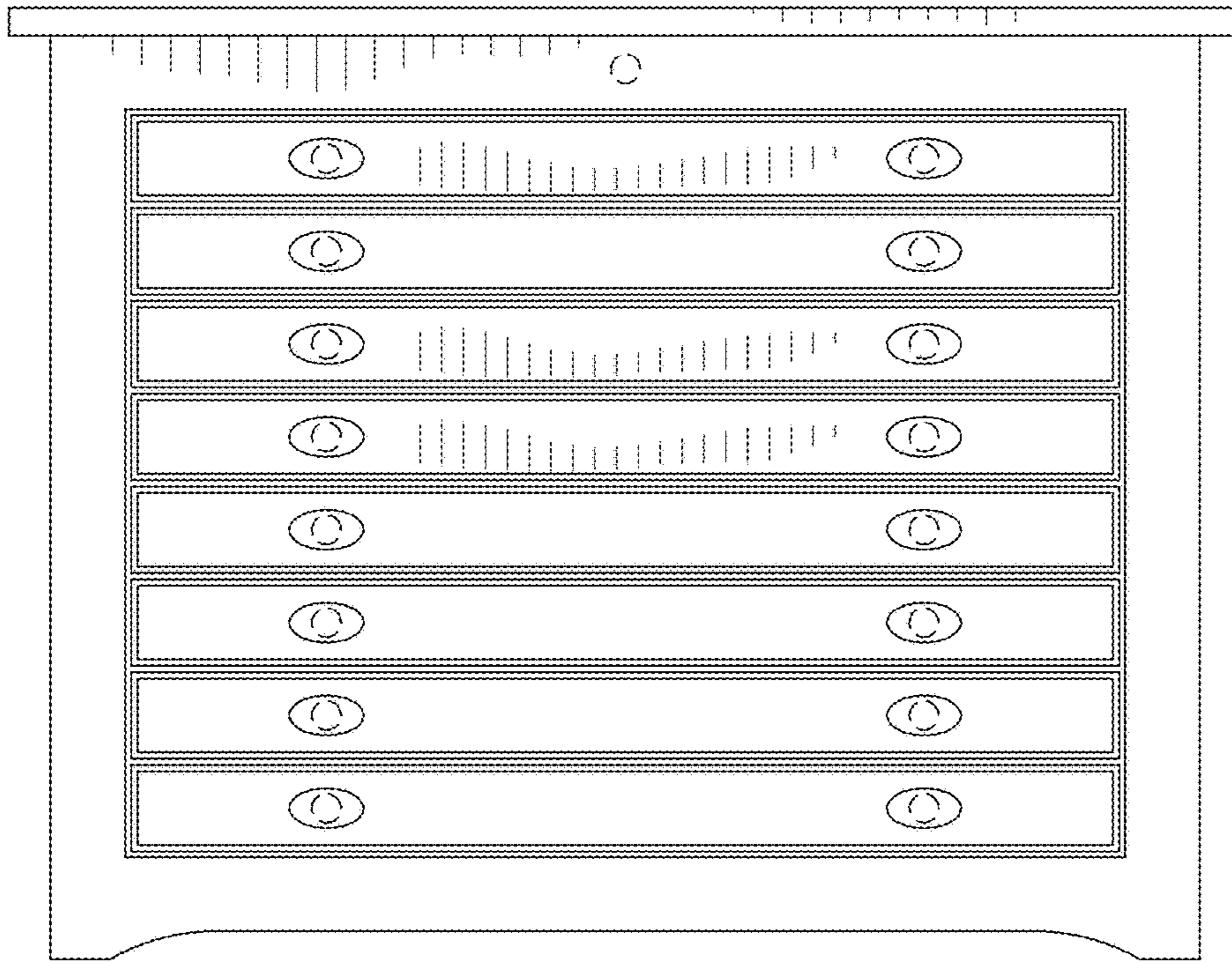


Fig. 8

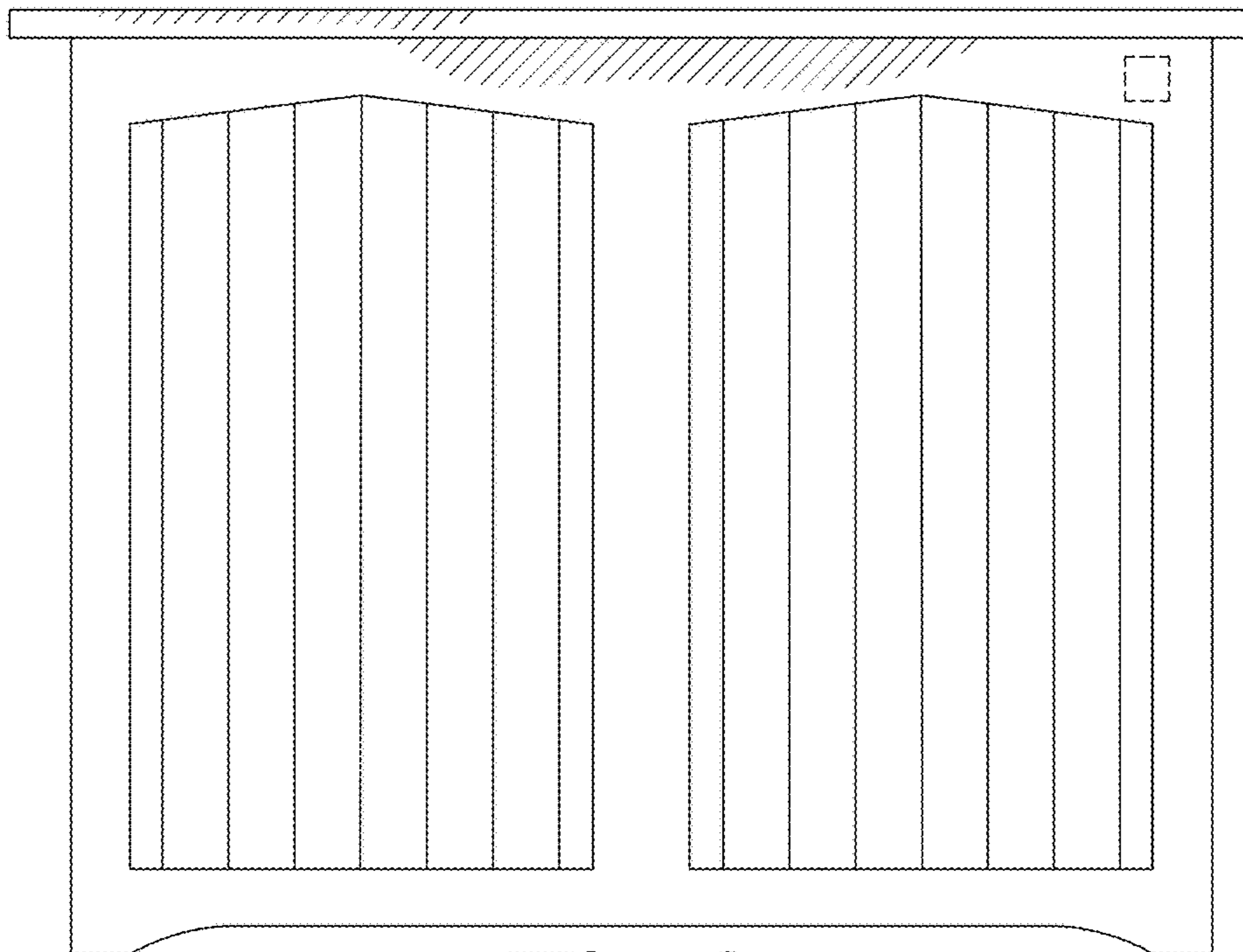


Fig. 9

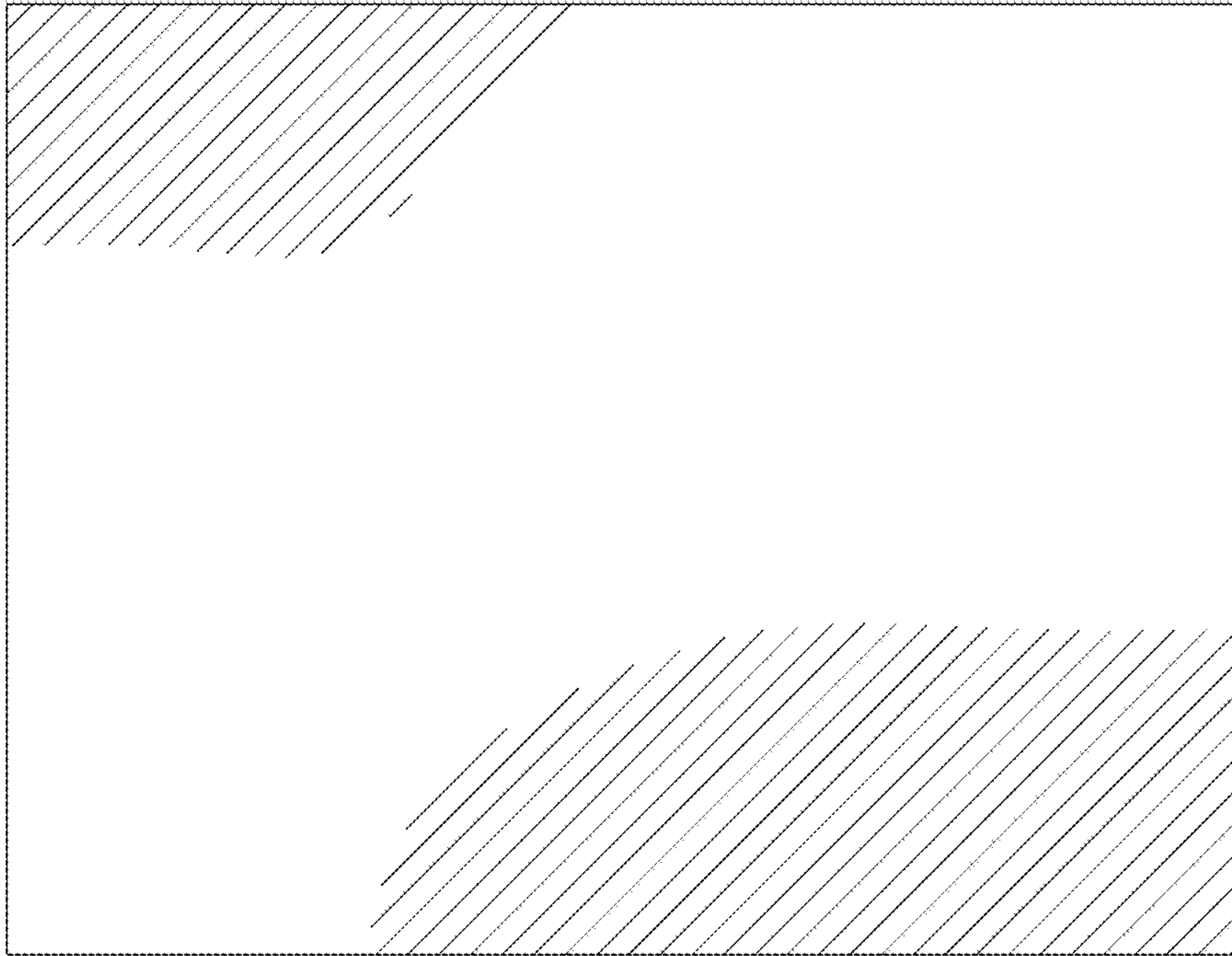


Fig. 10

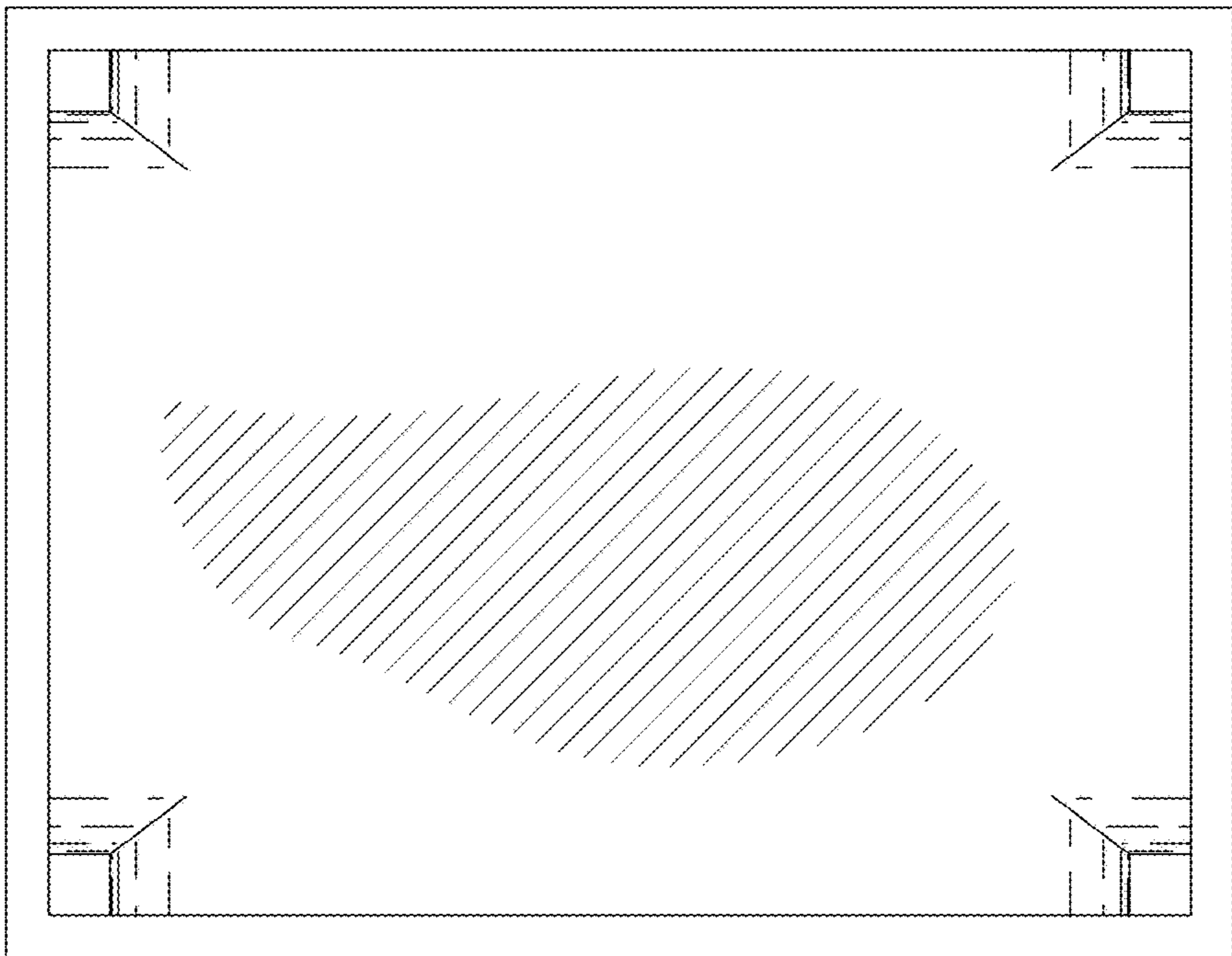


Fig. 11

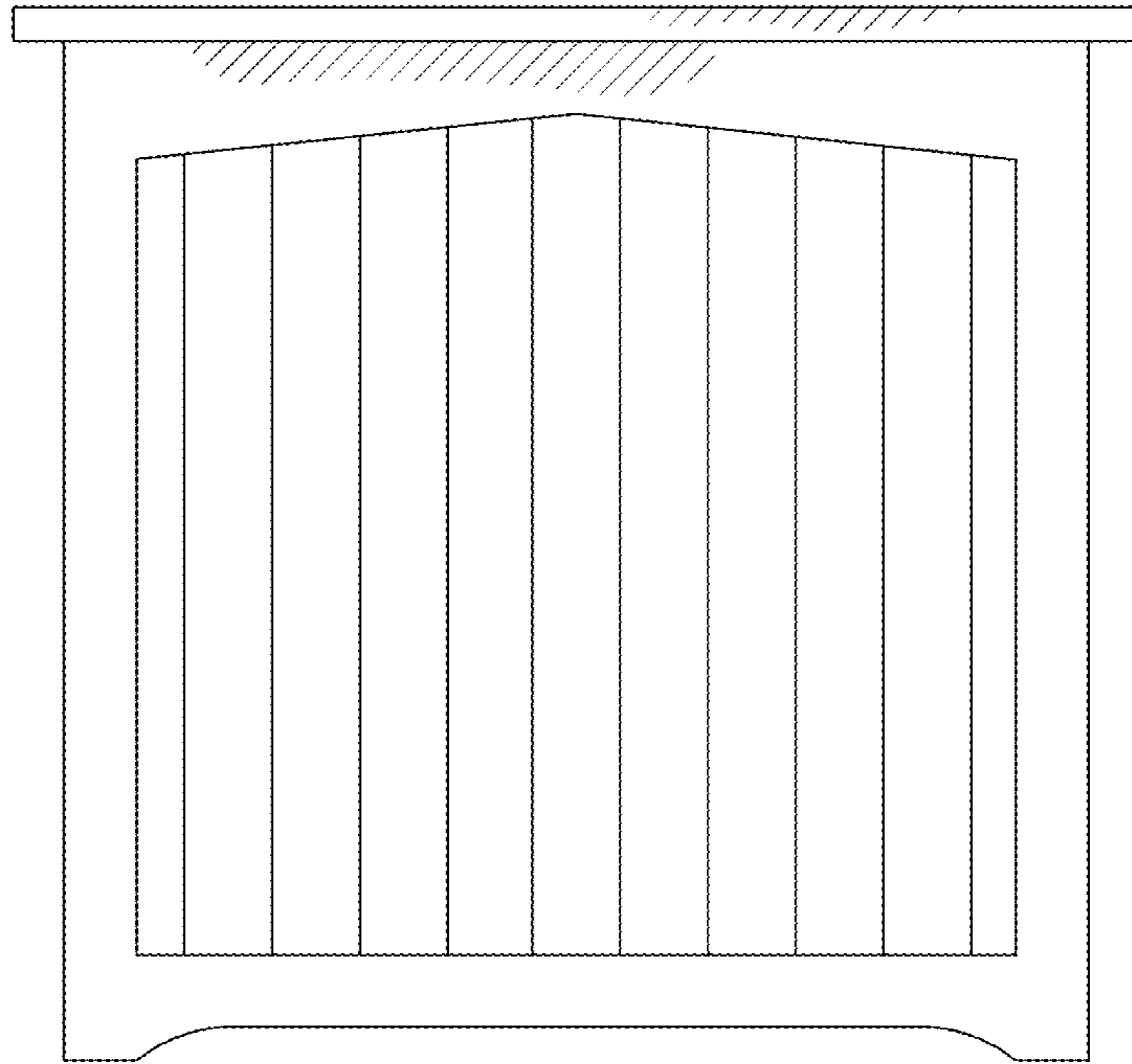


Fig. 12