



US00D807669S

(12) **United States Design Patent** (10) **Patent No.:** **US D807,669 S**  
**Flynn** (45) **Date of Patent:** **\*\* Jan. 16, 2018**

(54) **FURNITURE DAMAGE COVERING DEVICE**

21/022; A47C 21/026; A47C 21/028;  
A47C 21/042; A47C 27/001; A47C  
27/002; A47C

(71) Applicant: **Johanna Theodora Jean Paulson**  
**Flynn, Mesa, AZ (US)**

(Continued)

(72) Inventor: **Johanna Theodora Jean Paulson**  
**Flynn, Mesa, AZ (US)**

(56) **References Cited**

U.S. PATENT DOCUMENTS

(\*\*) Term: **15 Years**

4,285,338 A \* 8/1981 Lemelson ..... A61F 13/0203  
128/889  
4,334,530 A \* 6/1982 Hassell ..... A61F 13/0203  
602/42

(21) Appl. No.: **29/601,169**

(Continued)

(22) Filed: **Apr. 19, 2017**

OTHER PUBLICATIONS

**Related U.S. Application Data**

“Ouch Heart Sweetheart Bandages by NPW” Jul. 23, 2012 amazon.com site visited Dec. 21, 2016.

(62) Division of application No. 29/547,738, filed on Dec. 7, 2015.

(Continued)

(51) **LOC (11) Cl.** ..... **06-13**

*Primary Examiner* — Kevin K Rudzinski

(52) **U.S. Cl.**  
USPC ..... **D6/611**

*Assistant Examiner* — Paul D Bohannon

(58) **Field of Classification Search**

(74) *Attorney, Agent, or Firm* — Volk & McElroy, LLP;  
Michael D. Volk, Jr.

USPC ..... D6/334–336, 349, 351, 352, 358, 360,  
D6/364, 365, 366, 374, 375, 379, 380,  
D6/611, 657, 662.1, 672, 674, 675, 675.1,  
D6/675.3, 683, 683.1, 685, 691, 691.5,  
D6/702, 708, 708.2, 708.21, 708.25, 716,  
D6/716.1–716.4; D3/304, 307, 309

(57) **CLAIM**

The ornamental design for a furniture damage covering device, as shown and described.

CPC ..... A47C 1/143; A47C 31/00; A47C 31/11;  
A47C 31/08; A47C 31/10; A47C 31/105;  
A47C 31/113; A47C 31/116; A47C 4/28;  
A47C 4/283; A47C 4/286; A47C 4/30;  
A47C 4/32; A47C 4/34; A47C 4/36;  
A47C 4/38; A47C 4/40; A47C 4/42;  
A47C 4/44; A47C 4/46; A47C 4/48;  
A47C 4/50; A47C 4/54; A47C 5/00;  
A47C 5/005; A47C 5/02; A47C 7/02;  
A47C 7/36; A47C 7/50; A47C 7/54;  
A47C 7/62; A47C 7/66; A47C 17/00;  
A47C 17/045; A47C 17/22; A47C 17/86;  
A47C 19/205; A47C 21/00; A47C

**DESCRIPTION**

FIG. 1 is a perspective view of a furniture damage covering device showing my new design.

FIG. 2 is a front view thereof.

FIG. 3 is a back view thereof.

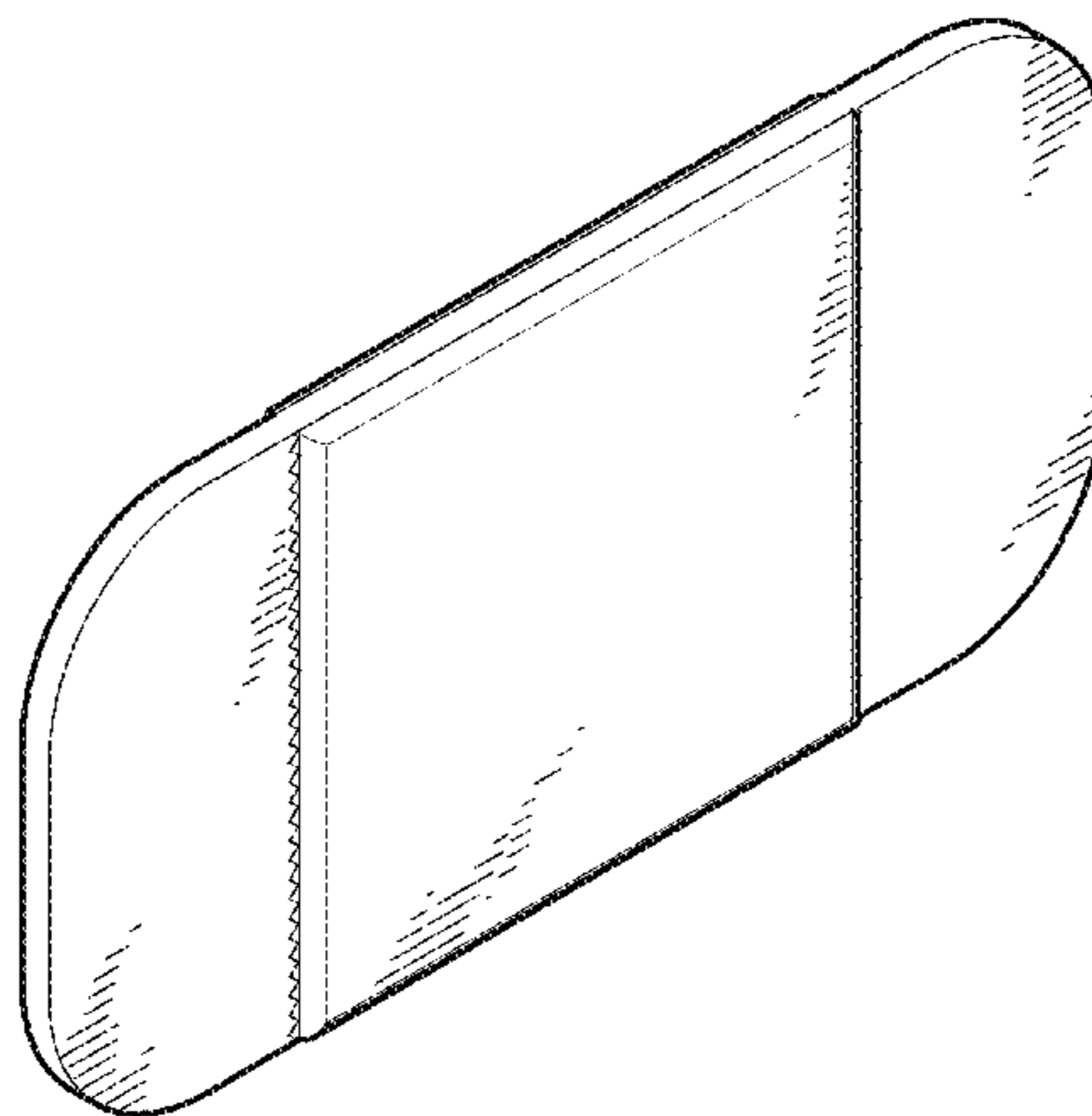
FIG. 4 is a right side view thereof, the left side view is the same.

FIG. 5 is a top view thereof, the bottom view is the same.

FIG. 6 is a view showing the furniture damage covering device of FIG. 1 installed on a piece of furniture; and,

FIG. 7 is another view showing the furniture damage covering device of FIG. 1 installed in an alternate location on a piece of furniture.

(Continued)



The broken lines in the drawings depict environmental features that form no part of the claimed design.

**1 Claim, 5 Drawing Sheets**

**(58) Field of Classification Search**

CPC ... 27/003; A47C 27/005; A47C 27/006; A47C 27/00; B60N 2/60; B60N 2/2881; B60N 2/6018; B60N 2/6036

See application file for complete search history.

**(56) References Cited**

U.S. PATENT DOCUMENTS

4,826,497 A \* 5/1989 Marcus ..... B01D 53/02  
604/359  
4,876,135 A \* 10/1989 McIntosh ..... A47L 23/266  
15/215  
5,024,262 A 6/1991 Huang  
D336,033 S \* 6/1993 Welsh ..... D8/403  
5,244,710 A 9/1993 Bricher et al.  
5,543,213 A 8/1996 Duvenkamp  
5,592,901 A \* 1/1997 Birmingham ..... A01K 15/024  
119/706  
D387,512 S \* 12/1997 Bergman ..... D30/119  
5,744,209 A 4/1998 Parkes  
6,360,692 B2 \* 3/2002 Gear ..... A01K 15/024  
119/706  
6,367,423 B1 \* 4/2002 Scheuer ..... A01K 1/035  
119/706  
6,408,461 B2 \* 6/2002 Zheng ..... A47G 9/062  
5/417  
6,478,038 B1 \* 11/2002 Le Gette ..... A47G 9/062  
135/126

6,787,679 B1 9/2004 Cantor  
D555,299 S \* 11/2007 Tsengas ..... D30/160  
D563,059 S \* 2/2008 Lamstein ..... D30/160  
D585,607 S \* 1/2009 Rosenblatt ..... D30/119  
D644,797 S \* 9/2011 Haaf ..... D30/160  
8,117,994 B1 \* 2/2012 Goodlow ..... A01K 1/035  
119/847  
D663,491 S \* 7/2012 Haaf ..... D30/160  
D663,493 S \* 7/2012 Haaf ..... D30/160  
D688,837 S \* 8/2013 Paculdo ..... D30/160  
D713,607 S \* 9/2014 Drew ..... D30/160  
D787,863 S \* 5/2017 Feeken ..... D6/611  
D787,864 S \* 5/2017 Flynn ..... D6/611  
2002/0189549 A1 \* 12/2002 Writer ..... A01K 7/00  
119/74  
2007/0232979 A1 10/2007 Montgomery  
2012/0029405 A1 2/2012 Cataldi et al.  
2012/0165716 A1 6/2012 Reuben  
2012/0204808 A1 \* 8/2012 Shenefelt ..... A01K 15/024  
119/706  
2012/0312242 A1 12/2012 Hillman  
2012/0320553 A1 12/2012 Yang et al.  
2013/0333629 A1 \* 12/2013 Paculdo ..... A01K 15/024  
119/706  
2015/0173465 A1 6/2015 Messner et al.  
2016/0106593 A1 4/2016 Chandaria  
2016/0338504 A1 11/2016 Bellini

OTHER PUBLICATIONS

iphone 6S Plus Polka Dots Case iphone 6 Plus Cartoon CaseMODEFAN Cute Red Polka Dots Hello Kitty Style Rubber Silicone Soft Gel Skin Case Cover for Apple !Iphone 6 Plus 6S Plus 5.5 Inch" May 2, 2016 amazon.com site visited Dec. 21, 2016.

\* cited by examiner

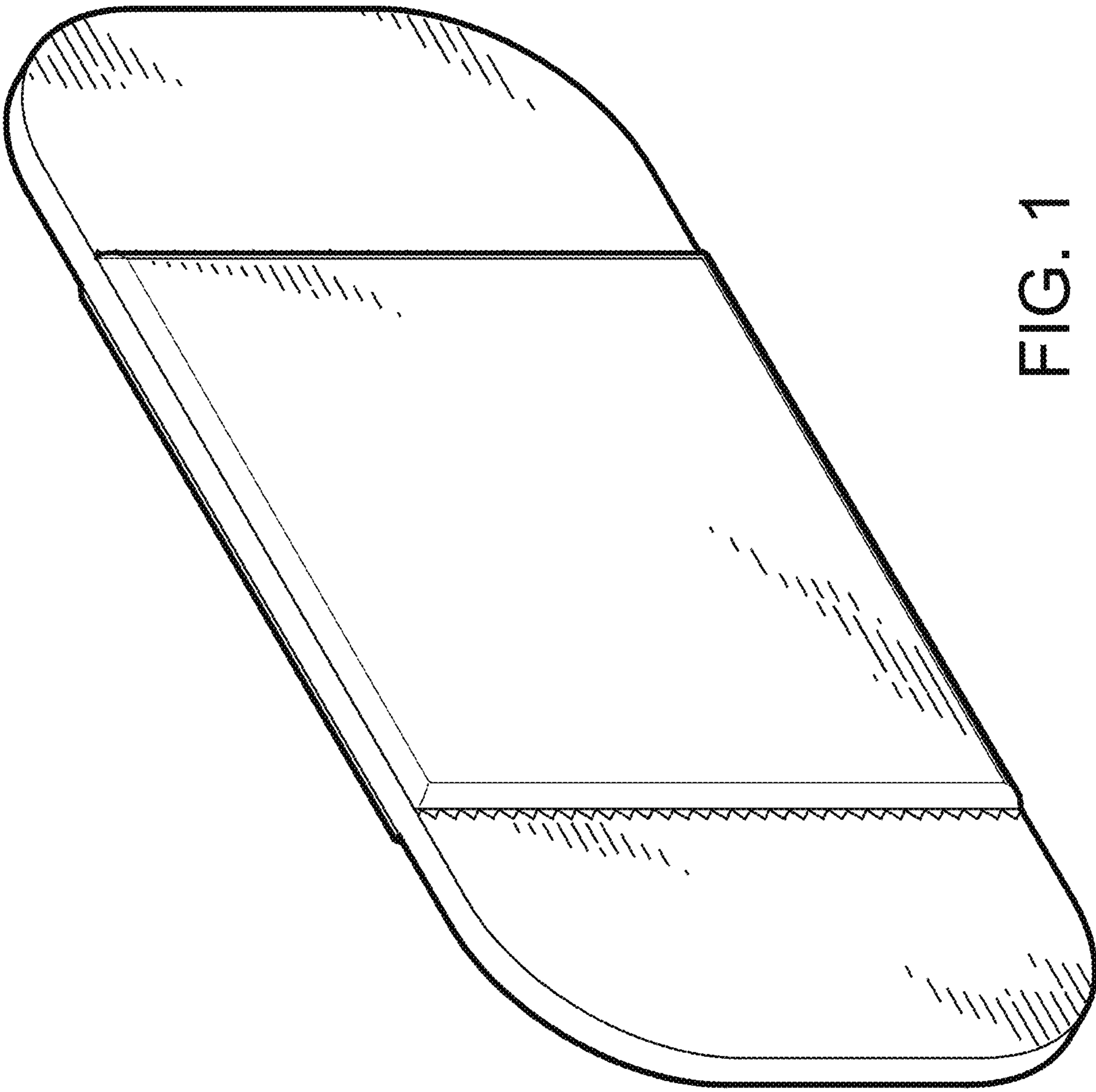


FIG. 1

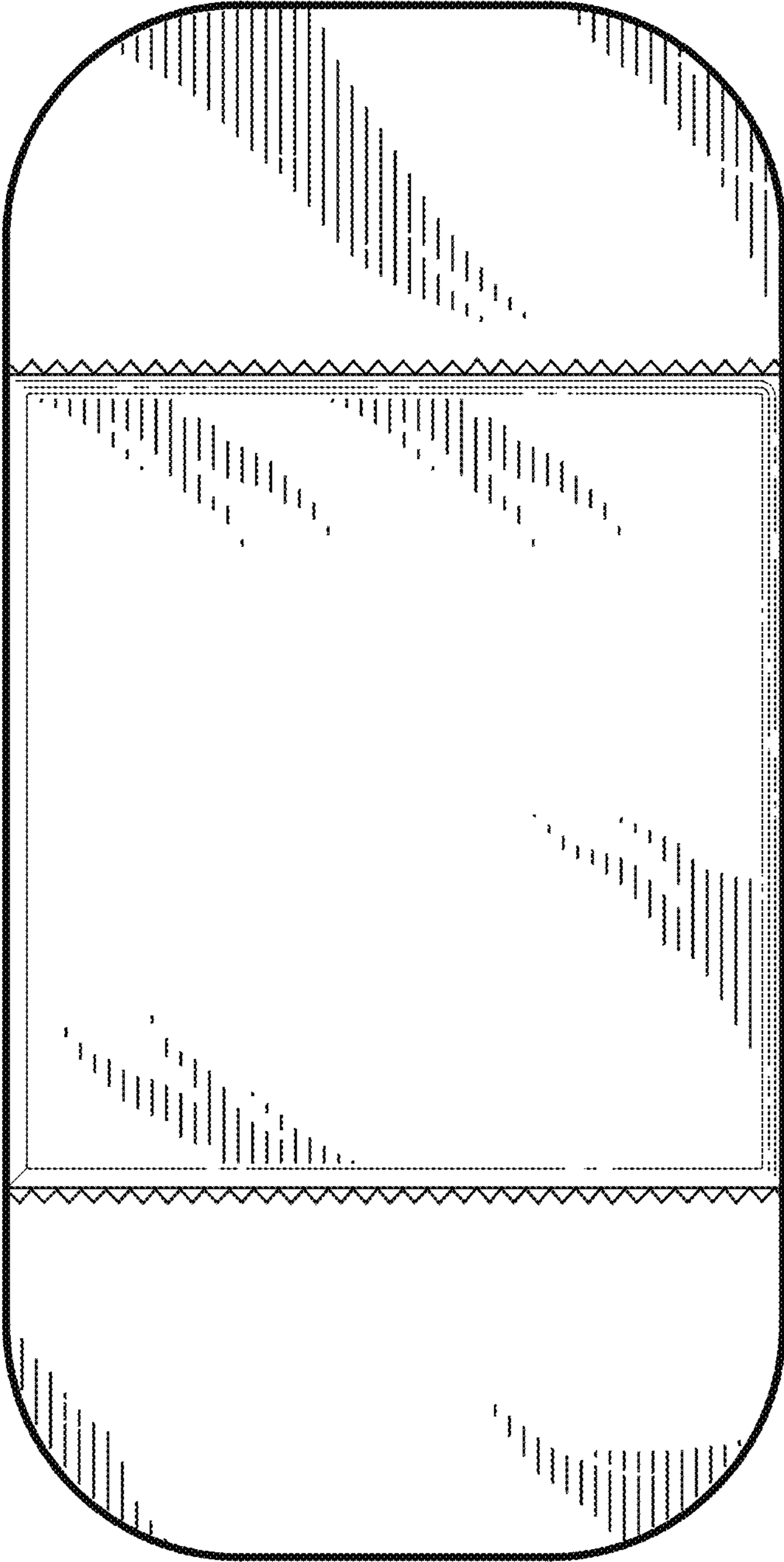


FIG. 2



FIG. 4

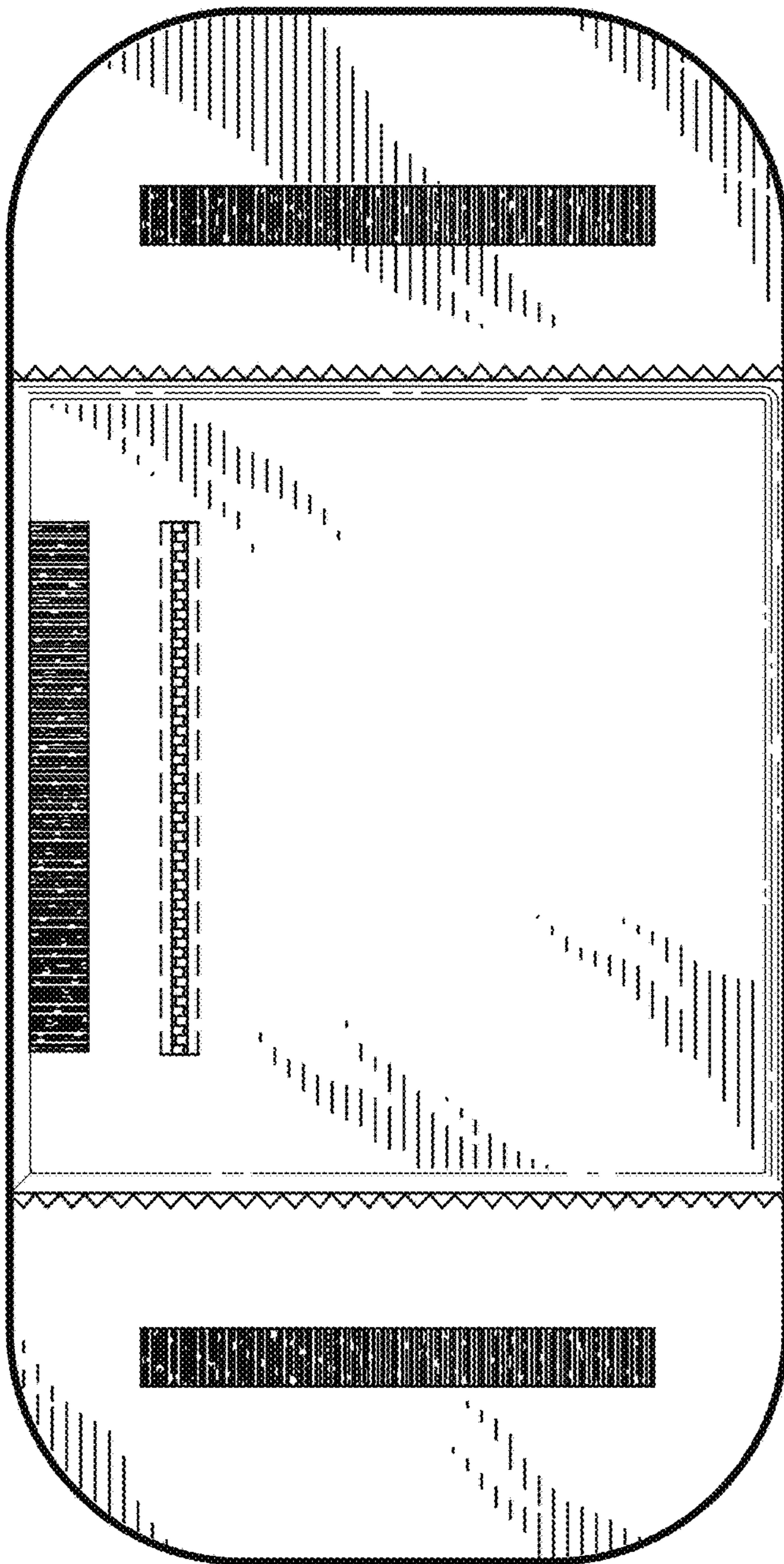


FIG. 3

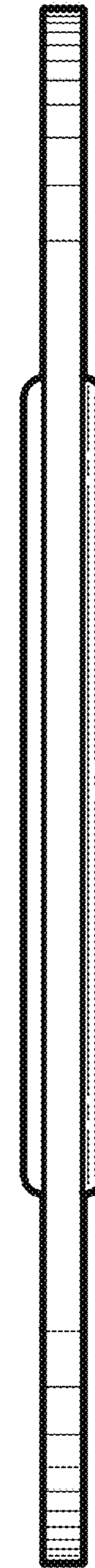


FIG. 5

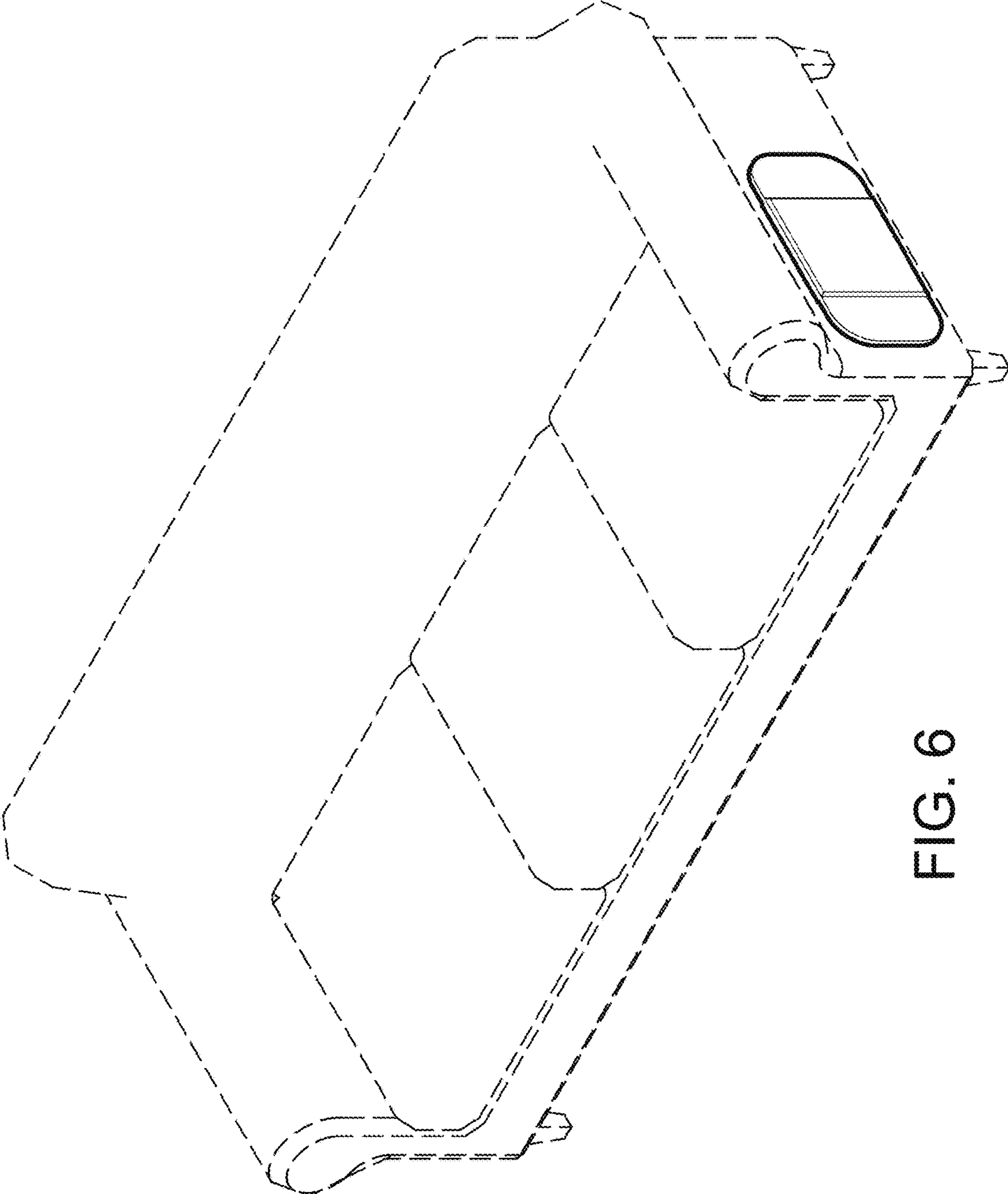


FIG. 6

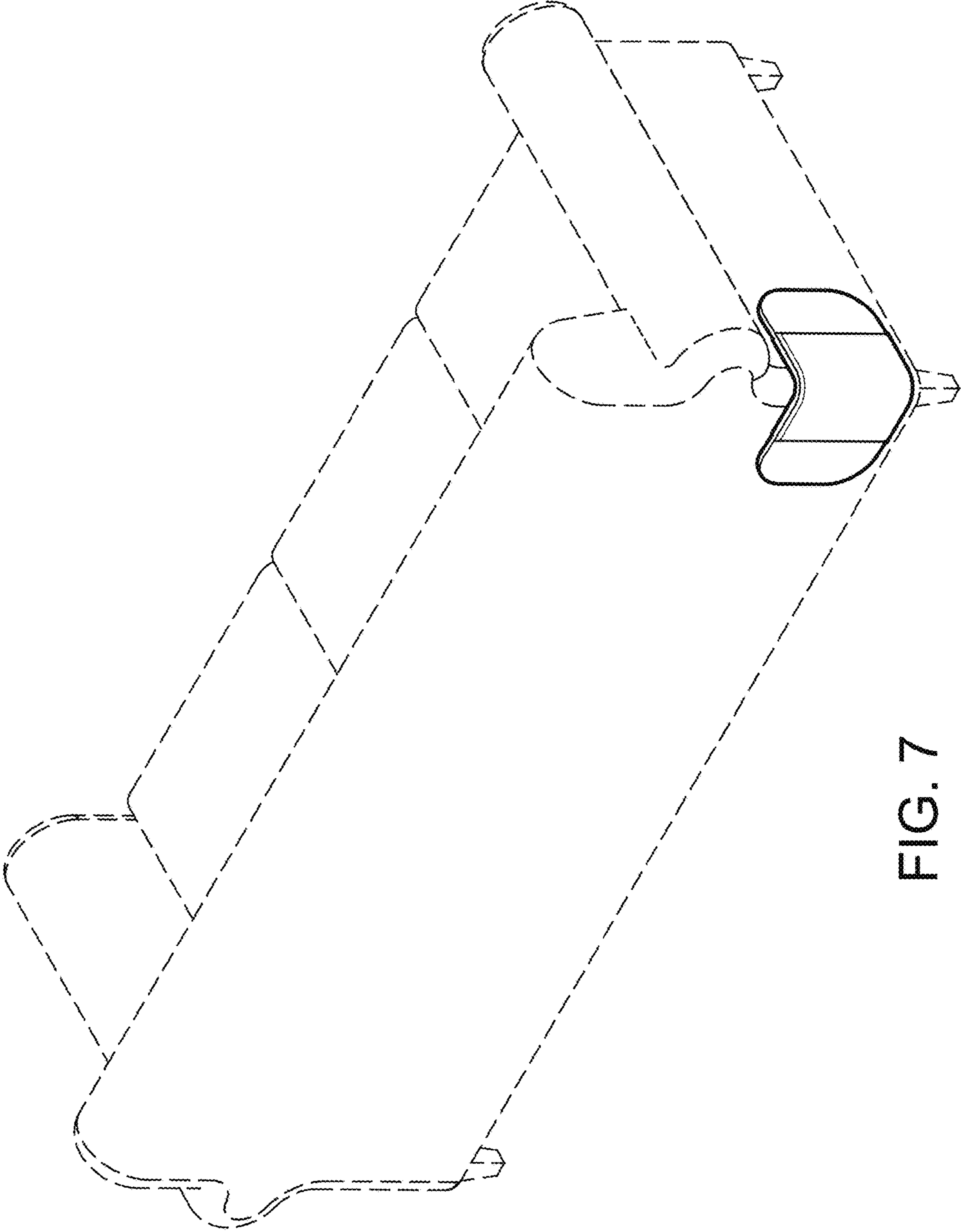


FIG. 7