



US00D807668S

(12) **United States Design Patent** (10) **Patent No.:** **US D807,668 S**
Moore (45) **Date of Patent:** **** Jan. 16, 2018**

(54) **SEAT COVER**

- (71) Applicant: **Adrienne Moore**, Scarsdale, NY (US)
- (72) Inventor: **Adrienne Moore**, Scarsdale, NY (US)
- (73) Assignee: **Kehei Traveler Corporation**, Aventura, FL (US)
- (**) Term: **14 Years**
- (21) Appl. No.: **29/510,657**
- (22) Filed: **Dec. 2, 2014**
- (51) **LOC (11) Cl.** **06-13**
- (52) **U.S. Cl.**
USPC **D6/611**
- (58) **Field of Classification Search**
USPC D6/595, 610, 611, 329, 334, 356, 315;
297/228, 218.13, 228.1, 228.11, 228.12,
297/219.1, 225, 227, 229, 223, 115,
297/218.1; 244/118.5, 117 R, 122 R
CPC B64D 25/04; B60N 2/4606; A47G 25/54
See application file for complete search history.

(56) **References Cited**

U.S. PATENT DOCUMENTS

- | | | | |
|---------------|---------|--------------|------------------------------|
| 1,303,021 A | 5/1919 | Brock | |
| 1,836,302 A | 12/1931 | Bloomfield | |
| 2,202,065 A | 5/1940 | Peebles | |
| 2,228,948 A | 1/1941 | Field | |
| 2,469,520 A | 5/1949 | Roberts, Jr. | |
| 3,199,916 A * | 8/1965 | Chiarenza | B60N 2/6027
297/223 |
| 3,729,037 A | 4/1973 | Dare et al. | |
| 3,858,256 A | 1/1975 | Beer | |

(Continued)

FOREIGN PATENT DOCUMENTS

GB 2032268 A 5/1980

OTHER PUBLICATIONS

Plane Sheets Personal Airline Seat Covers, Buy washable planesheets, <http://www.planesheets.com/buy_washable_planesheets>, (undated), 3 pages.
(Continued)

Primary Examiner — Susan Bennett Hattan
Assistant Examiner — Rebecca Tsehaye
(74) *Attorney, Agent, or Firm* — Lerner, David, Littenberg, Krumholz & Mentlik, LLP

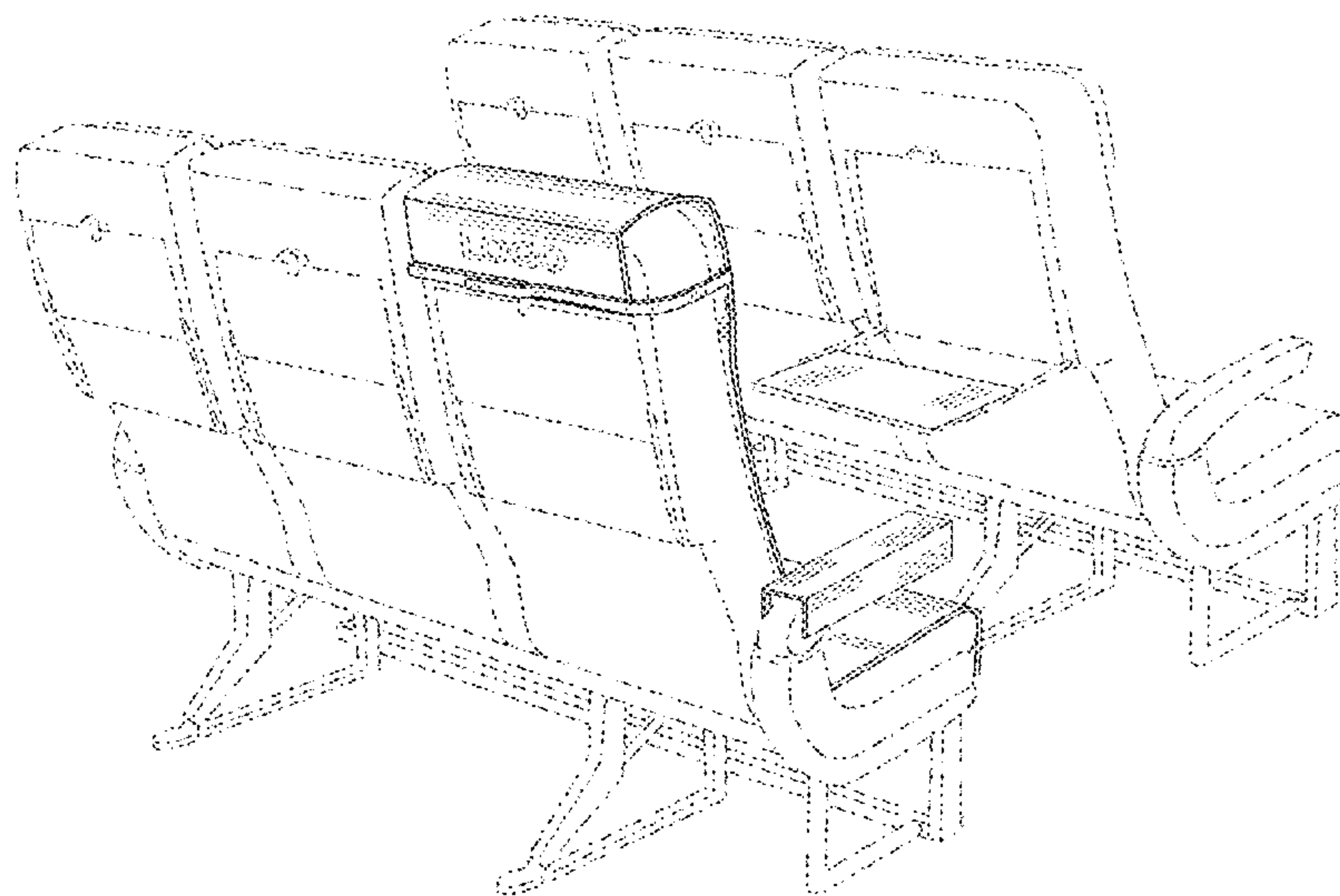
(57) **CLAIM**

I claim the ornamental design for a seat cover, as shown and described.

DESCRIPTION

FIG. 1 is a top-rear perspective view of a seat cover accessory unit showing my new design, in accordance with the present invention;
FIG. 2 is a top-front perspective view thereof;
FIG. 3 is a front plan view of a portion of the seat cover accessory unit of FIG. 1;
FIG. 4 is a rear plan view thereof;
FIG. 5 is another rear plan view of a portion of the seat cover accessory unit of FIG. 1;
FIG. 6 is a left side plan view thereof, the right side being a mirror image thereof; and,
FIG. 7 is a top plan view thereof.
The furniture shown in broken lines in FIGS. 1-7 is shown for environmental use purposes only, and forms no part of the claimed design. The "logo" designation in FIGS. 1-4, shown in broken lines depicts parts of the seat cover that form no part of the claimed design. FIG. 3 shows the seat cover accessory unit with the tray table and tray table cover removed for ease of illustration, and FIG. 5 shows the tray table and tray table cover with the seat cover, arm rest covers, and underlying seat removed for ease of illustration.

1 Claim, 7 Drawing Sheets



(56)

References Cited

U.S. PATENT DOCUMENTS

4,019,776 A * 4/1977 Takamatsu B60N 2/6027
297/218.1
4,103,968 A * 8/1978 Butterfield B60N 2/60
297/219.1
4,627,363 A 12/1986 Jones
4,627,587 A * 12/1986 McCutchan B64D 11/06
244/118.5
4,705,084 A 11/1987 Rodebaugh et al.
5,392,543 A 2/1995 Lehrman
5,441,789 A 8/1995 Walker
5,605,374 A 2/1997 Perry
5,957,528 A 9/1999 Campbell
6,014,935 A 1/2000 Willett
6,135,635 A 10/2000 Miller et al.
6,155,637 A 12/2000 Waters
6,241,188 B1 * 6/2001 Simpson B60N 2/6027
244/122 R
6,309,017 B1 10/2001 Middleton
6,312,051 B1 11/2001 Adams
6,491,996 B2 12/2002 Digangi
6,578,914 B2 6/2003 Artsvelyan
6,616,225 B2 9/2003 Graff
6,626,491 B1 9/2003 Blome et al.
6,631,950 B1 10/2003 Madole
6,648,410 B2 11/2003 Sparks
6,655,737 B2 12/2003 Hyduk
D495,171 S * 8/2004 Wesley D6/356

6,776,455 B2 * 8/2004 Longtin B60N 2/4606
297/115
6,783,175 B1 8/2004 Henderson
6,948,771 B1 9/2005 Salandy
7,066,535 B2 6/2006 Moses
7,287,813 B2 10/2007 Aliev
7,360,834 B2 4/2008 Miller et al.
7,431,396 B1 10/2008 Dasso
7,637,567 B2 12/2009 Neustat et al.
7,762,628 B2 7/2010 Williams
7,841,658 B1 11/2010 Marble
D663,153 S * 7/2012 Kenkelen D6/611
D688,070 S * 8/2013 Oberg D6/611
D724,338 S * 3/2015 Nicholas D6/356
D768,412 S * 10/2016 Ngo D6/611
2002/0178975 A1 12/2002 Lewis et al.
2003/0042774 A1 3/2003 Hackett
2007/0069560 A1 3/2007 Ranney
2009/0223418 A1 9/2009 Ferrara
2010/0140994 A1 * 6/2010 Moore A47C 31/11
297/227
2010/0155536 A1 * 6/2010 Asami A47C 7/40
244/122 R

OTHER PUBLICATIONS

Plane Sheets Personal Airline Seat Covers, Buy Disposable
planesheets, <http://www.planesheets.com/buy_washable_planesheets>, (undated), 1 page.

* cited by examiner

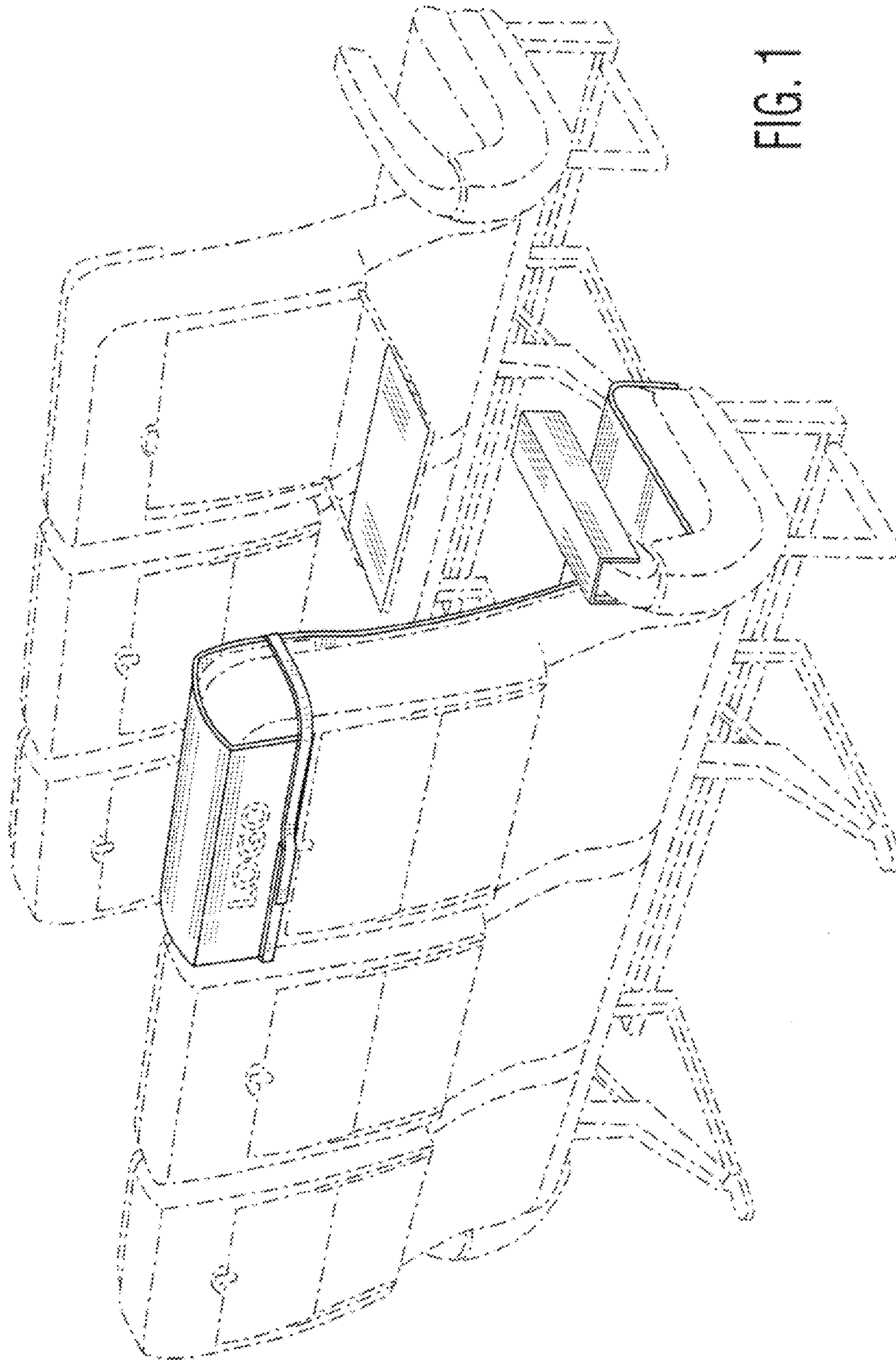


FIG. 1

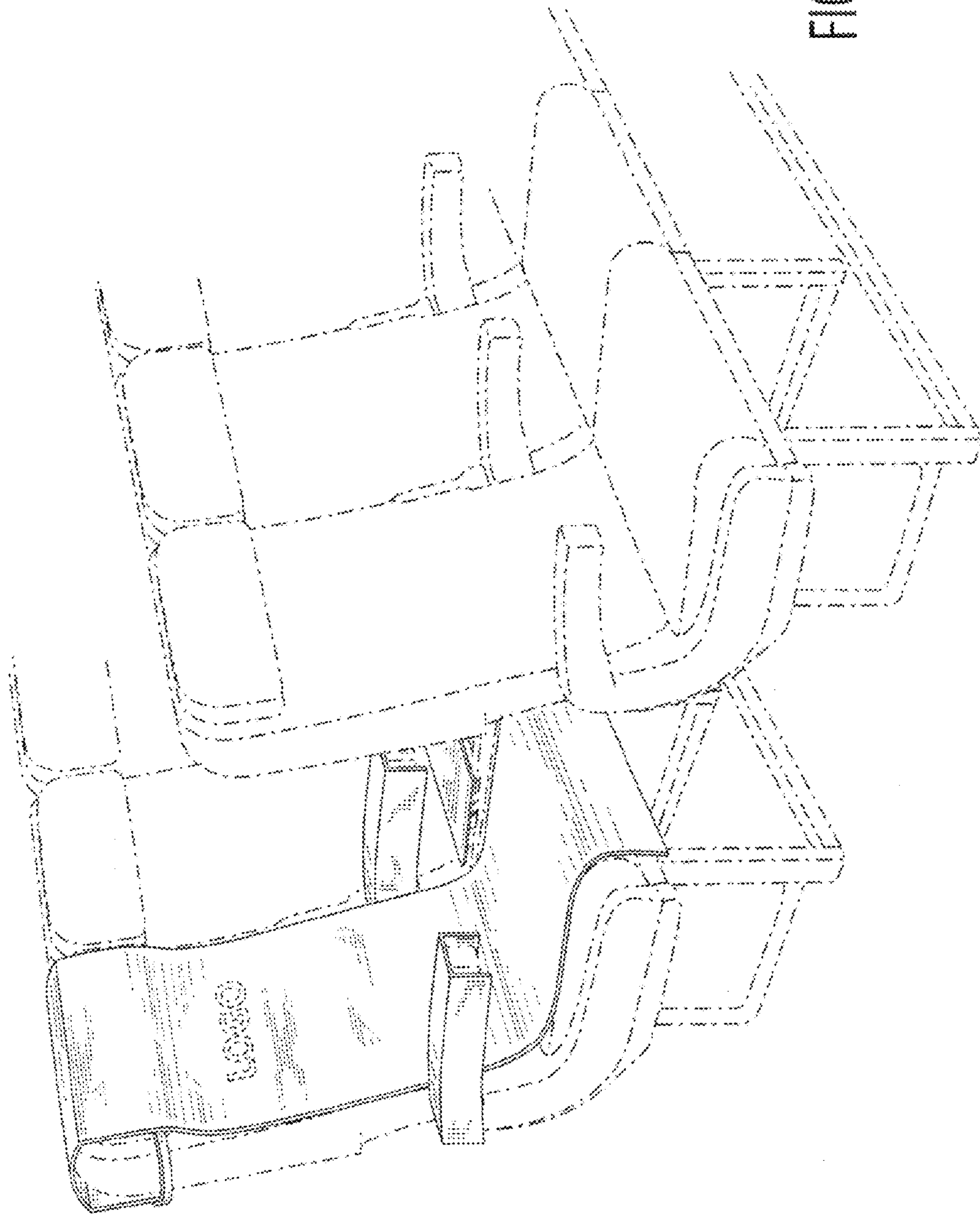


FIG. 2

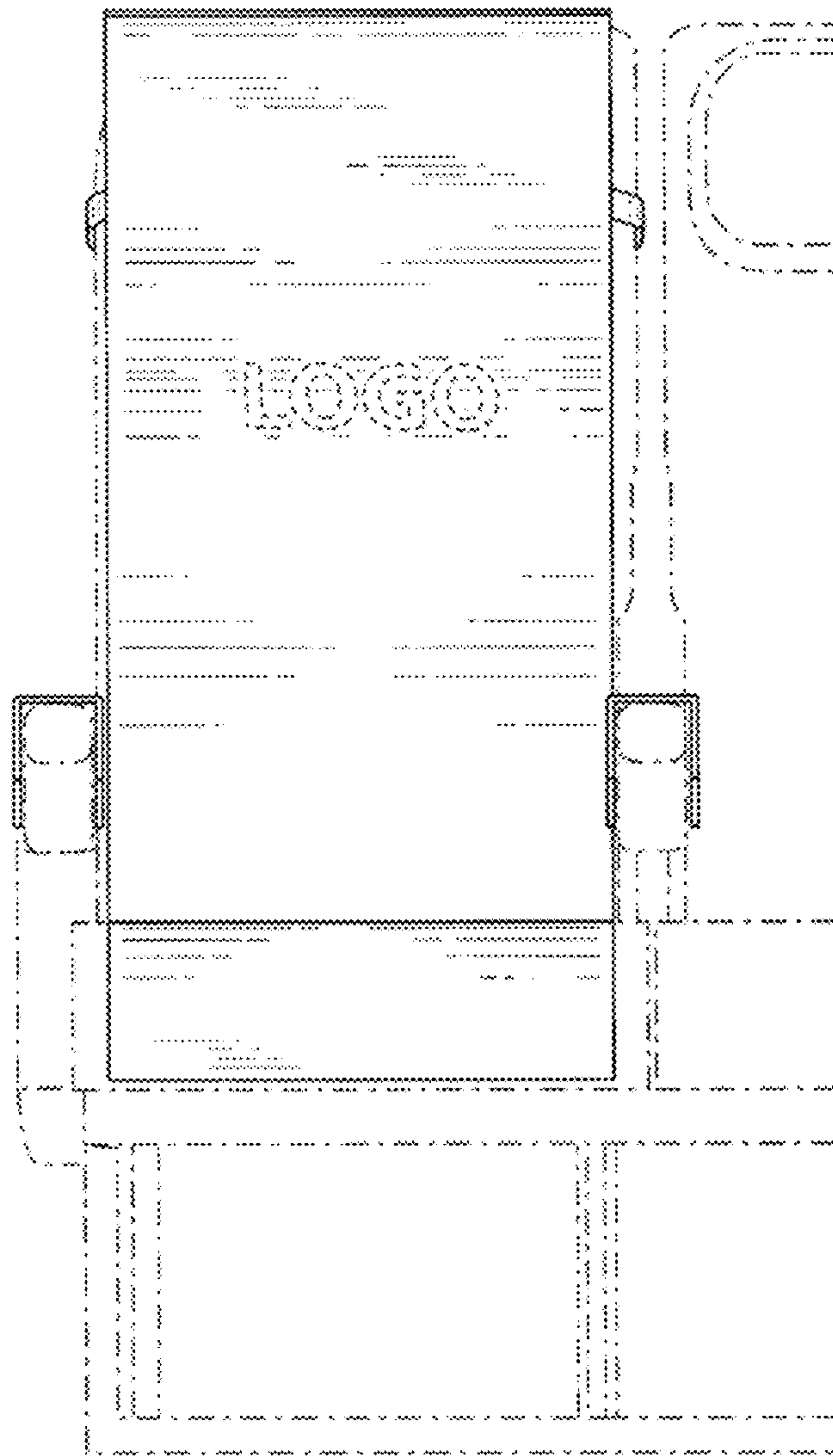


FIG. 3

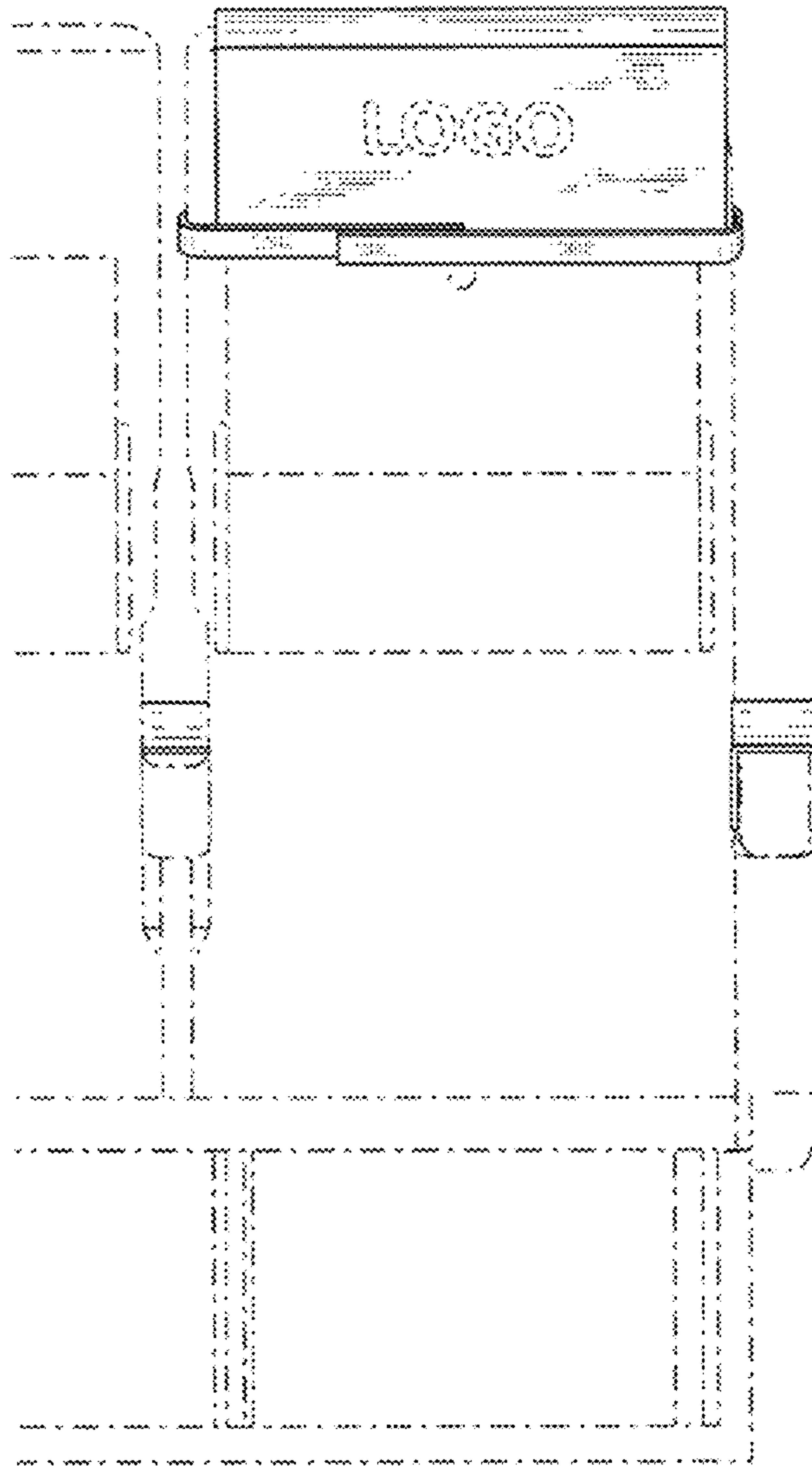


FIG. 4

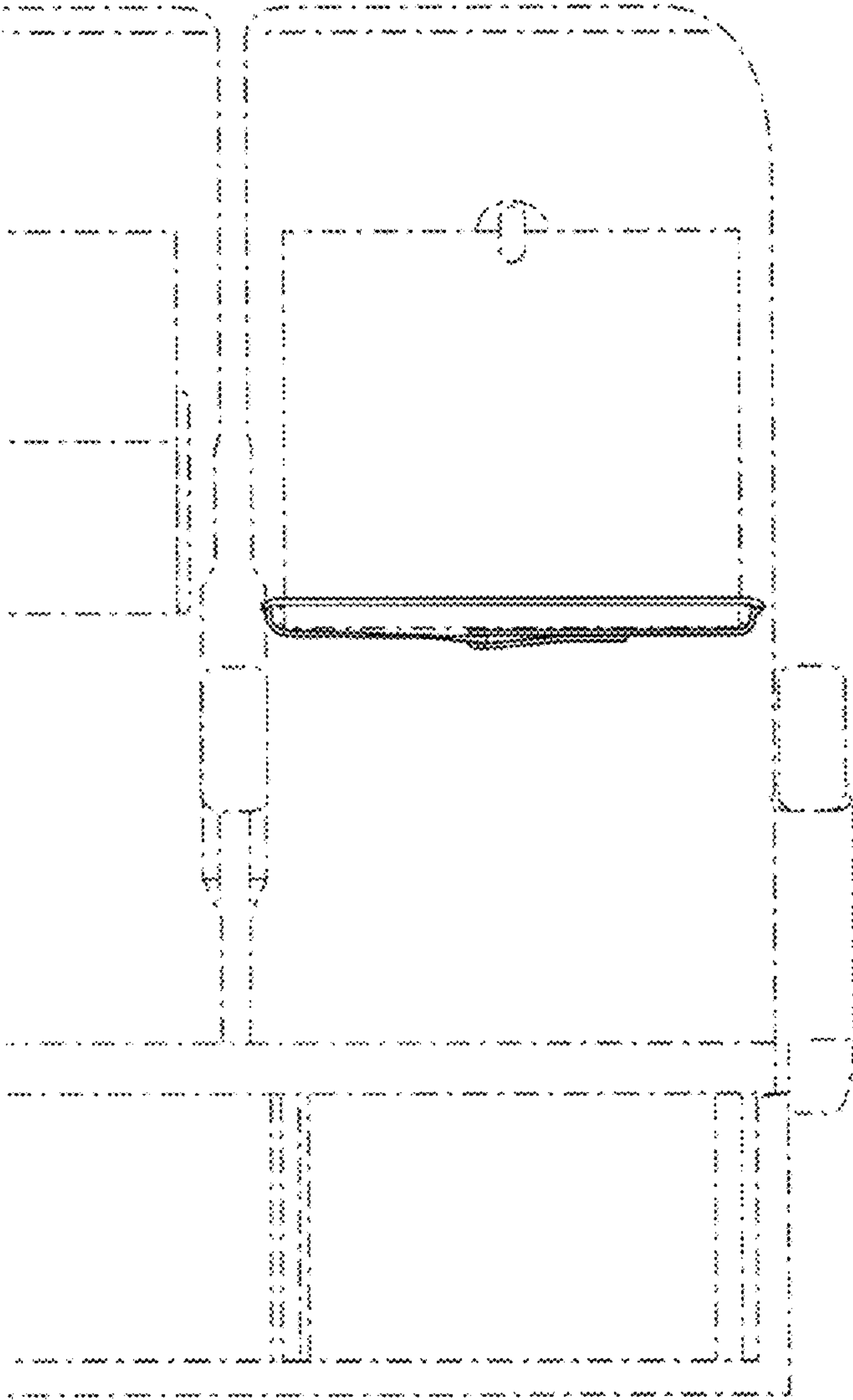


FIG. 5

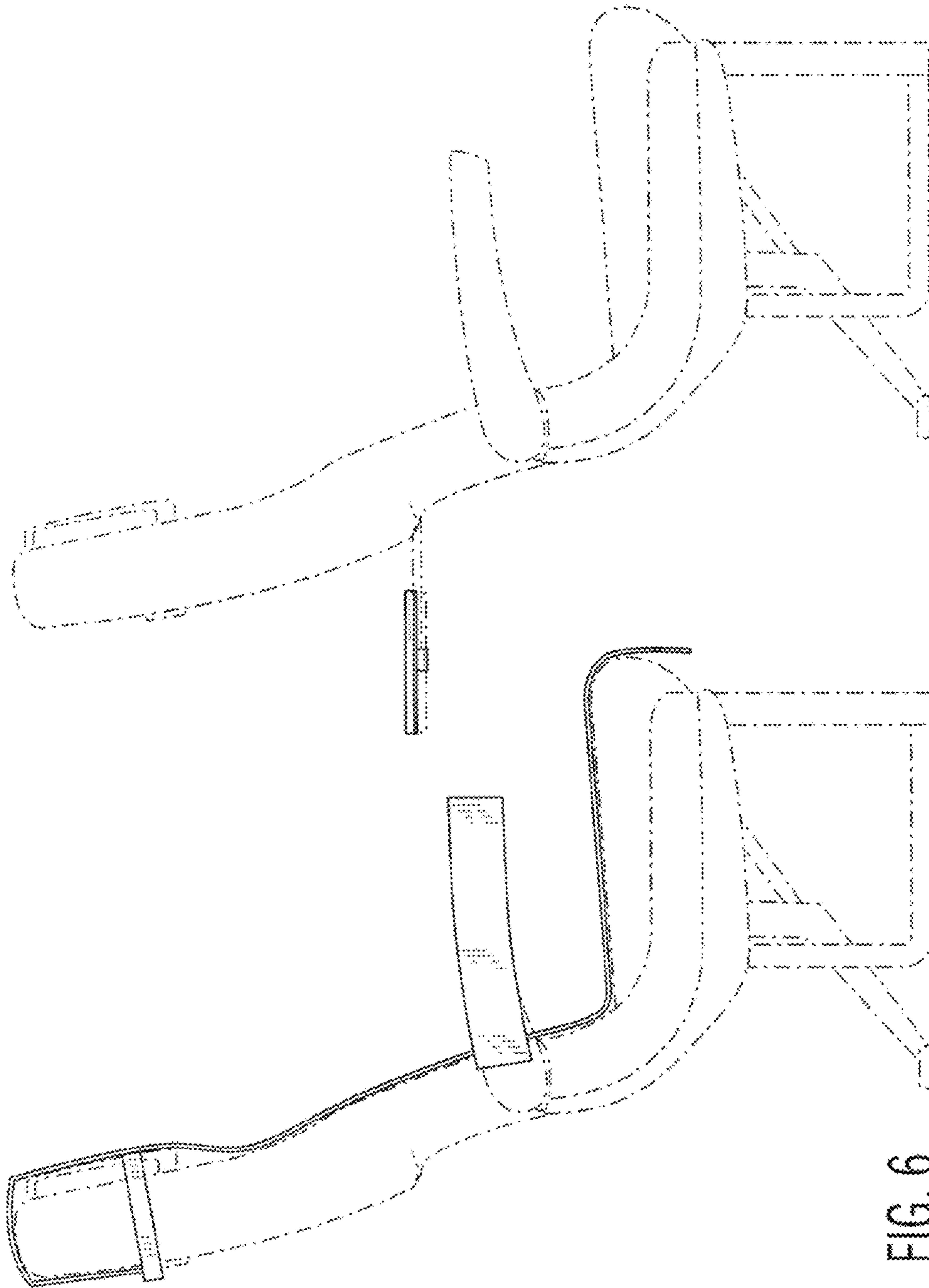


FIG. 6

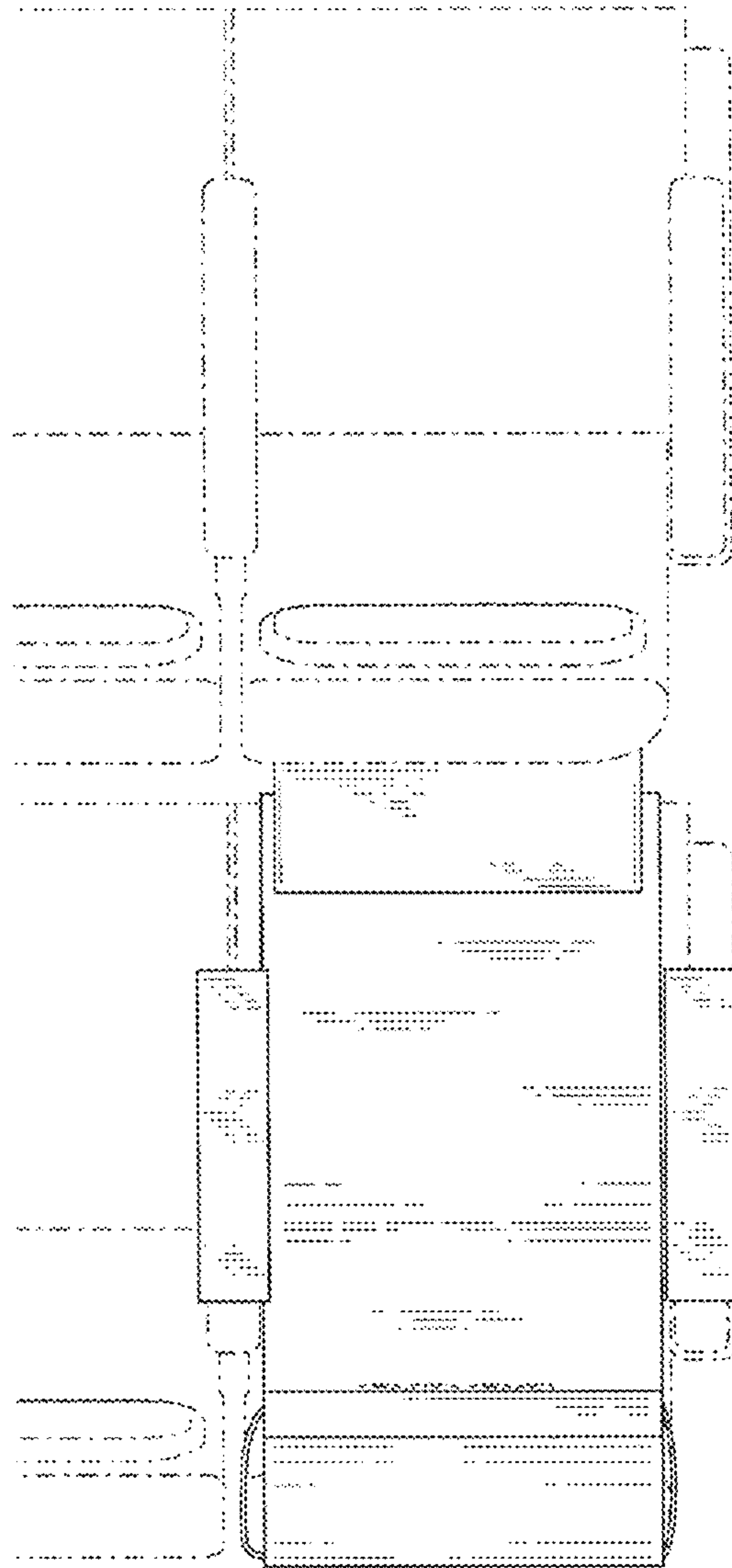


FIG. 7