



US00D807664S

(12) **United States Design Patent**
Cohen

(10) **Patent No.:** **US D807,664 S**
(45) **Date of Patent:** **** Jan. 16, 2018**

- (54) **SOAP HOLDER**
- (71) Applicant: **Bernard M. Cohen**, Miami, FL (US)
- (72) Inventor: **Bernard M. Cohen**, Miami, FL (US)
- (**) Term: **15 Years**
- (21) Appl. No.: **29/579,856**
- (22) Filed: **Oct. 4, 2016**
- (51) **LOC (11) Cl.** **23-02**
- (52) **U.S. Cl.**
USPC **D6/536**
- (58) **Field of Classification Search**
USPC D6/536-537, 524, 525, 540, 566, 567,
D6/320; 211/13.1, 74, 71.01, 86.01, 75,
211/88.01, 90.01, 90.03, 106, 119, 126.1,
211/133.5, 181.1, 134, 87.01; D3/306;
D32/55-56; D7/637; 248/206.2-206.3
CPC .. B23P 17/04; A47K 1/09; A47K 1/08; A47K
3/281; F16B 47/00
See application file for complete search history.

- 2,968,888 A 1/1961 Borah
- 3,029,547 A 4/1962 Ross, Jr. et al.
- D193,085 S 6/1962 White
- 3,315,933 A 4/1967 Tatham
- D212,369 S 10/1968 Hagopian
- 3,697,111 A 10/1972 Thompson
- 4,203,568 A 5/1980 Daugherty
- 4,331,232 A 5/1982 Larkin
- D272,588 S 2/1984 Shames et al.
- 4,621,730 A 11/1986 Mancusi, Jr.
- D298,498 S 11/1988 Greenhut et al.
- D312,740 S 12/1990 Greenhut et al.
- 4,993,546 A 2/1991 Southard
- 5,011,316 A 4/1991 Damon
- 5,242,063 A 9/1993 Ericksen et al.
- D341,501 S 11/1993 Tiramani et al.
- D341,972 S 12/1993 Tiramani et al.
- 5,279,412 A 1/1994 Lee
- 5,680,929 A 10/1997 Von Seidel

(Continued)

Primary Examiner — David G Muller
Assistant Examiner — Nathan M Johnston
(74) *Attorney, Agent, or Firm* — Malloy & Malloy, P.L.

(57) **CLAIM**

The ornamental design for a soap holder, as shown and described.

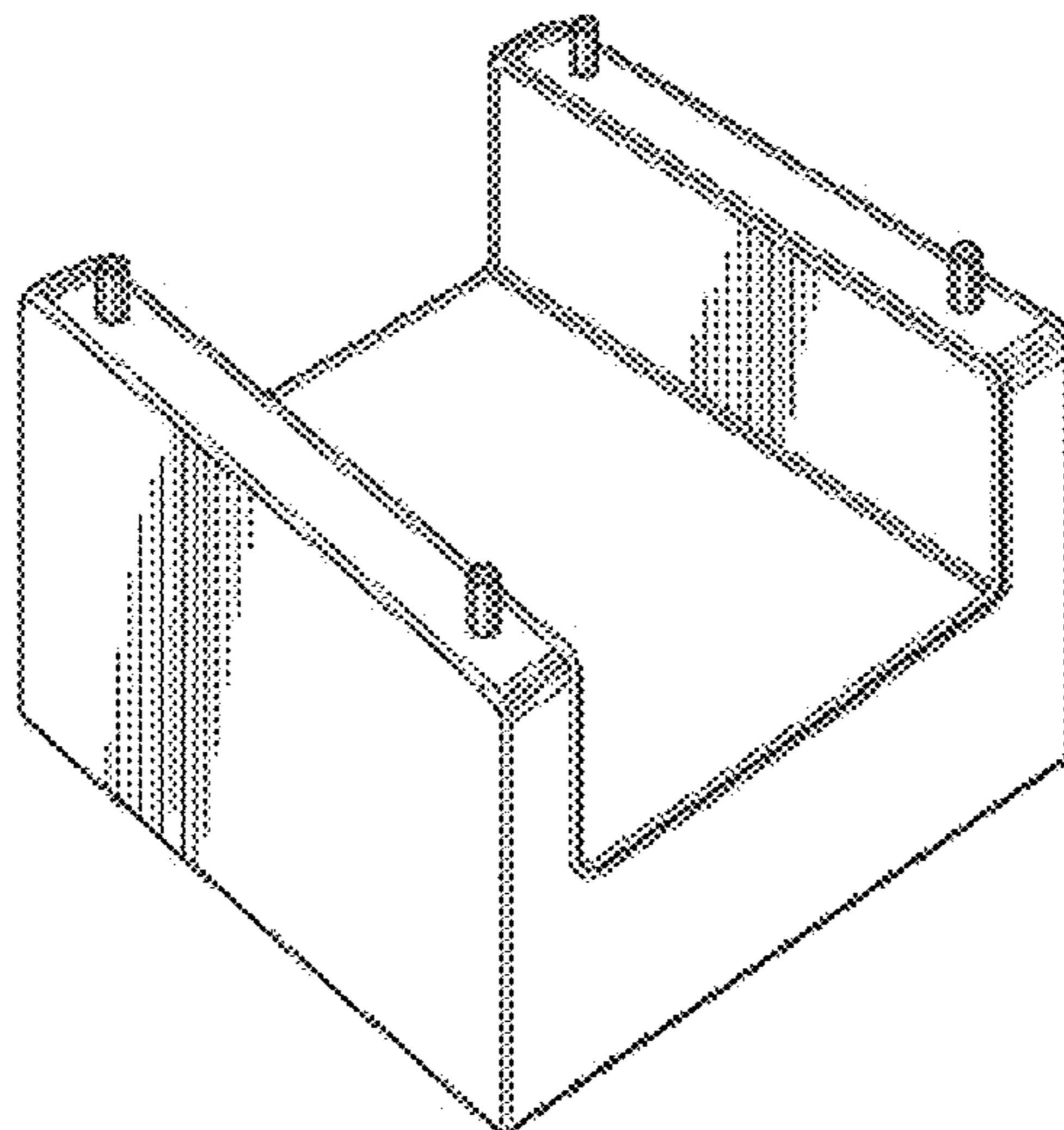
DESCRIPTION

FIG. 1 is a front perspective view showing my new design for a soap holder;
FIG. 2 is a front elevation view thereof;
FIG. 3 is a right side elevation view thereof;
FIG. 4 is a top plan view thereof;
FIG. 5 is a left elevation view thereof;
FIG. 6 is a bottom plan view thereof;
FIG. 7 is a rear elevation view thereof; and,
FIG. 8 is a bottom perspective view thereof.
The broken line showing of parts of the drawings is included for the purpose of illustrating use and environment and forms no part of the claimed design.

1 Claim, 6 Drawing Sheets

(56) **References Cited**
U.S. PATENT DOCUMENTS

- 539,698 A 5/1895 Milligan
- 624,809 A 5/1899 Howe
- D70,381 S 6/1926 Matthews
- 1,859,492 A 5/1932 Balestra
- 2,194,997 A 3/1940 Butler
- D137,131 S 1/1944 Reefer
- D137,908 S 5/1944 Benoto
- D141,011 S 4/1945 Madan
- 2,568,714 A 9/1951 Britton
- 2,586,626 A 2/1952 Dunn
- D167,234 S 7/1952 Simpson
- 2,717,472 A 9/1955 Wilmington
- D184,064 S 12/1958 Arjona
- 2,900,757 A 8/1959 Grimm, Jr.
- 2,932,119 A 4/1960 Borah
- 2,934,852 A 5/1960 Heberling



(56)

References Cited

U.S. PATENT DOCUMENTS

D390,393	S	2/1998	Sharpe
D396,770	S	8/1998	Hoernig
D408,187	S	4/1999	Forcella, Jr.
D413,469	S	9/1999	Hampshire
D435,992	S	1/2001	Min-Tsung
D440,441	S	4/2001	Gottwald
D449,752	S	10/2001	Snell
D450,965	S	11/2001	Weinberg
6,857,616	B1	2/2005	Gasperi et al.
6,966,445	B1	11/2005	Johanna
D532,234	S	11/2006	Snell
D532,639	S	11/2006	Snell
D549,503	S	8/2007	Nagoya
7,424,949	B2	9/2008	Kumar
D614,813	S	4/2010	Massell
7,789,654	B2	9/2010	Lenard
D646,099	S	10/2011	Mu et al.
D681,989	S	5/2013	Pixley
D690,128	S	9/2013	Cage
8,523,125	B1	9/2013	Jardine
D699,474	S	2/2014	Roberts
D704,904	S	5/2014	Anderson et al.
D725,401	S	3/2015	Tang
D725,402	S	3/2015	Tang
9,220,378	B2	12/2015	Urban
D763,598	S	8/2016	Goodman et al.
2003/0178326	A1	9/2003	Belyakov et al.
2005/0211575	A1	9/2005	Li
2008/0169208	A1	7/2008	Li

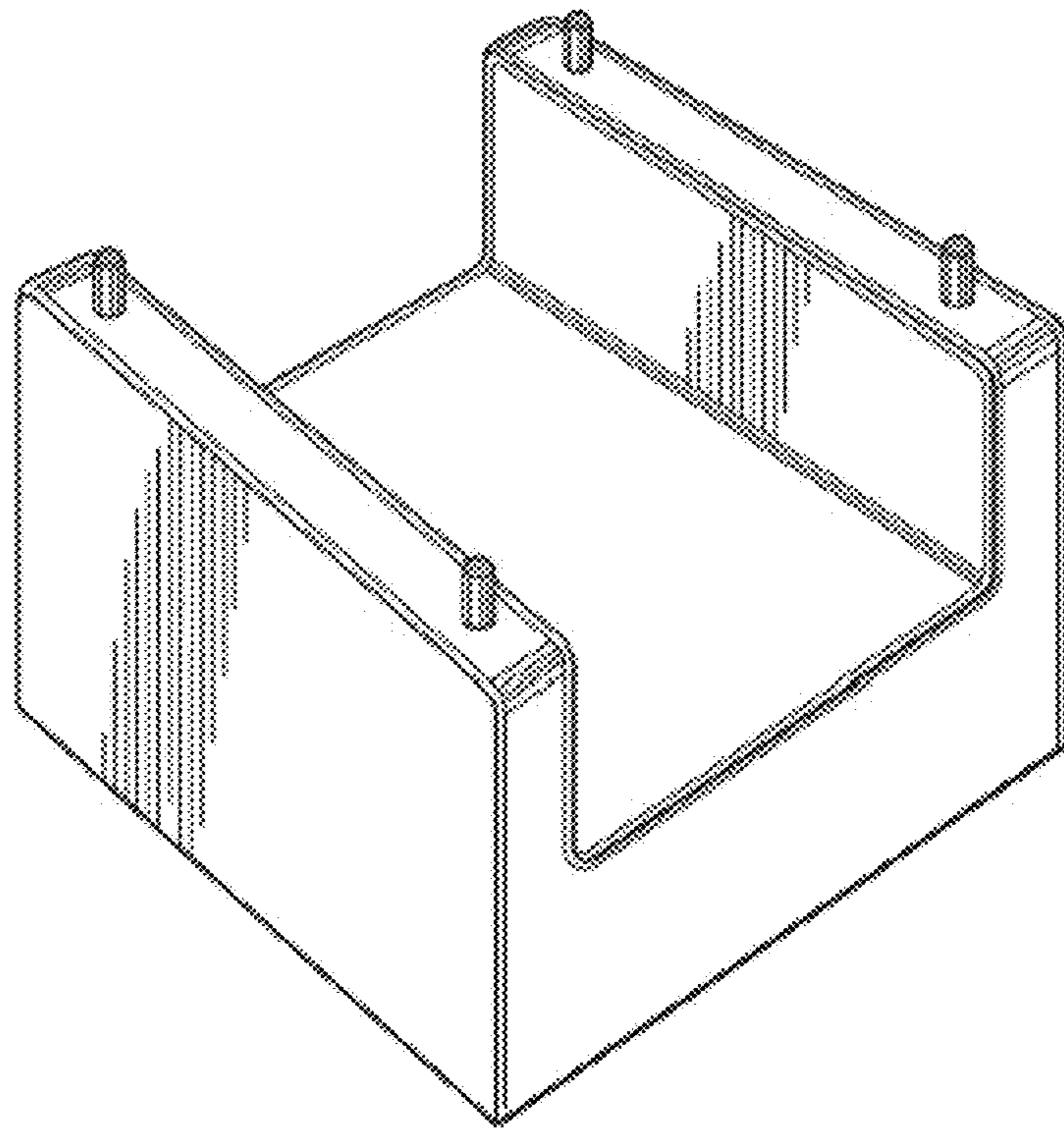


FIG. 1

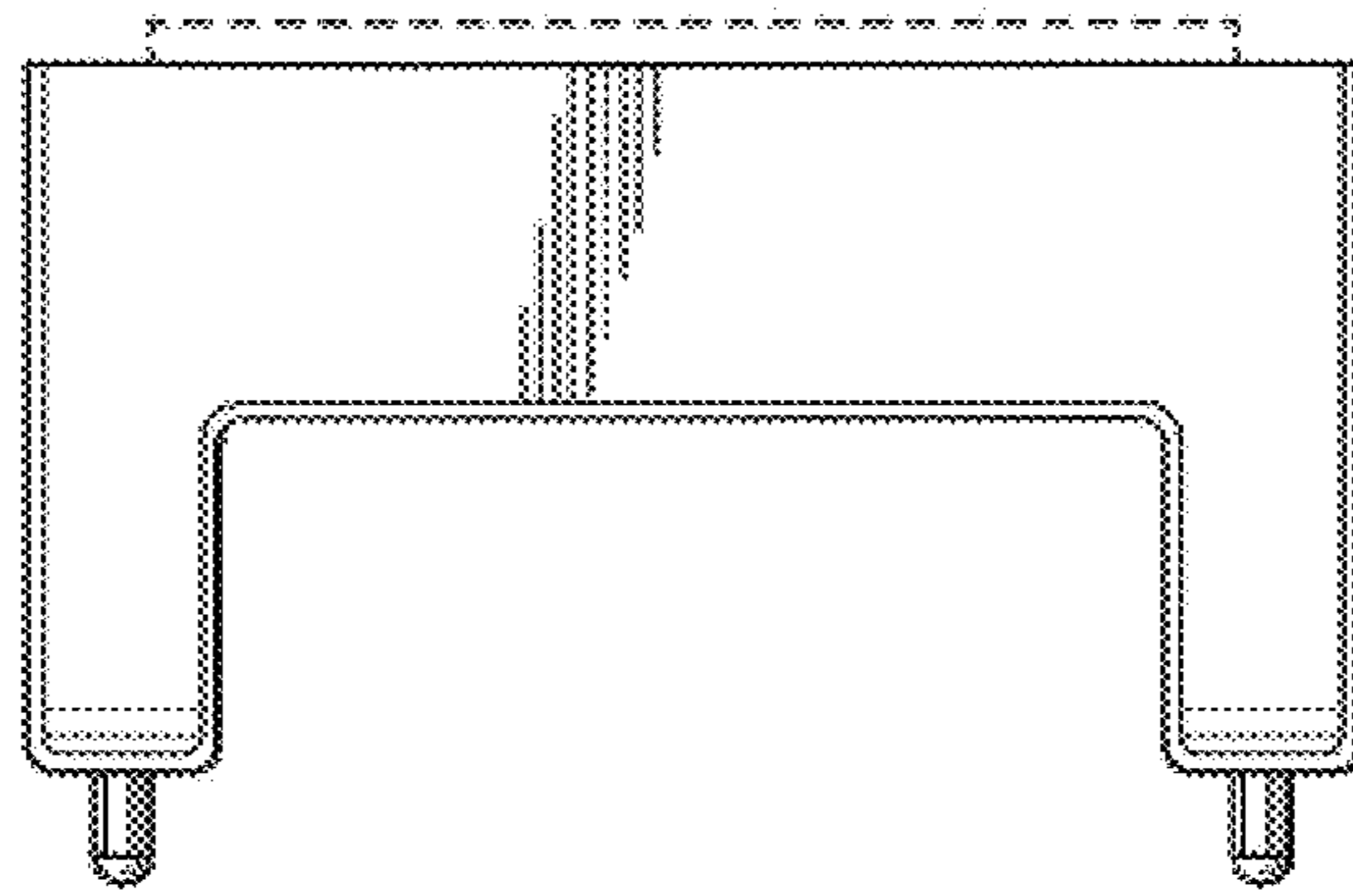


FIG. 7

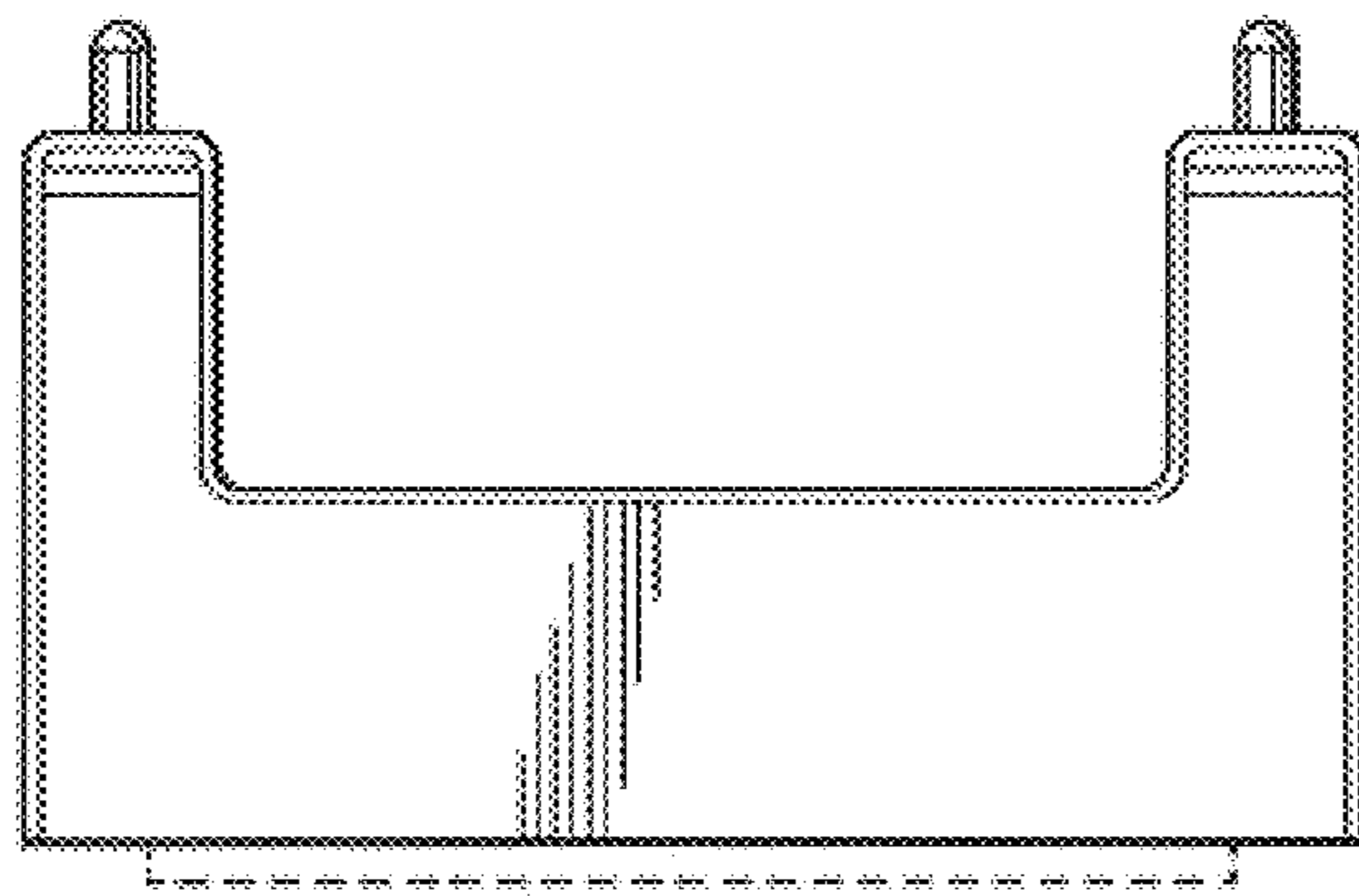


FIG. 2

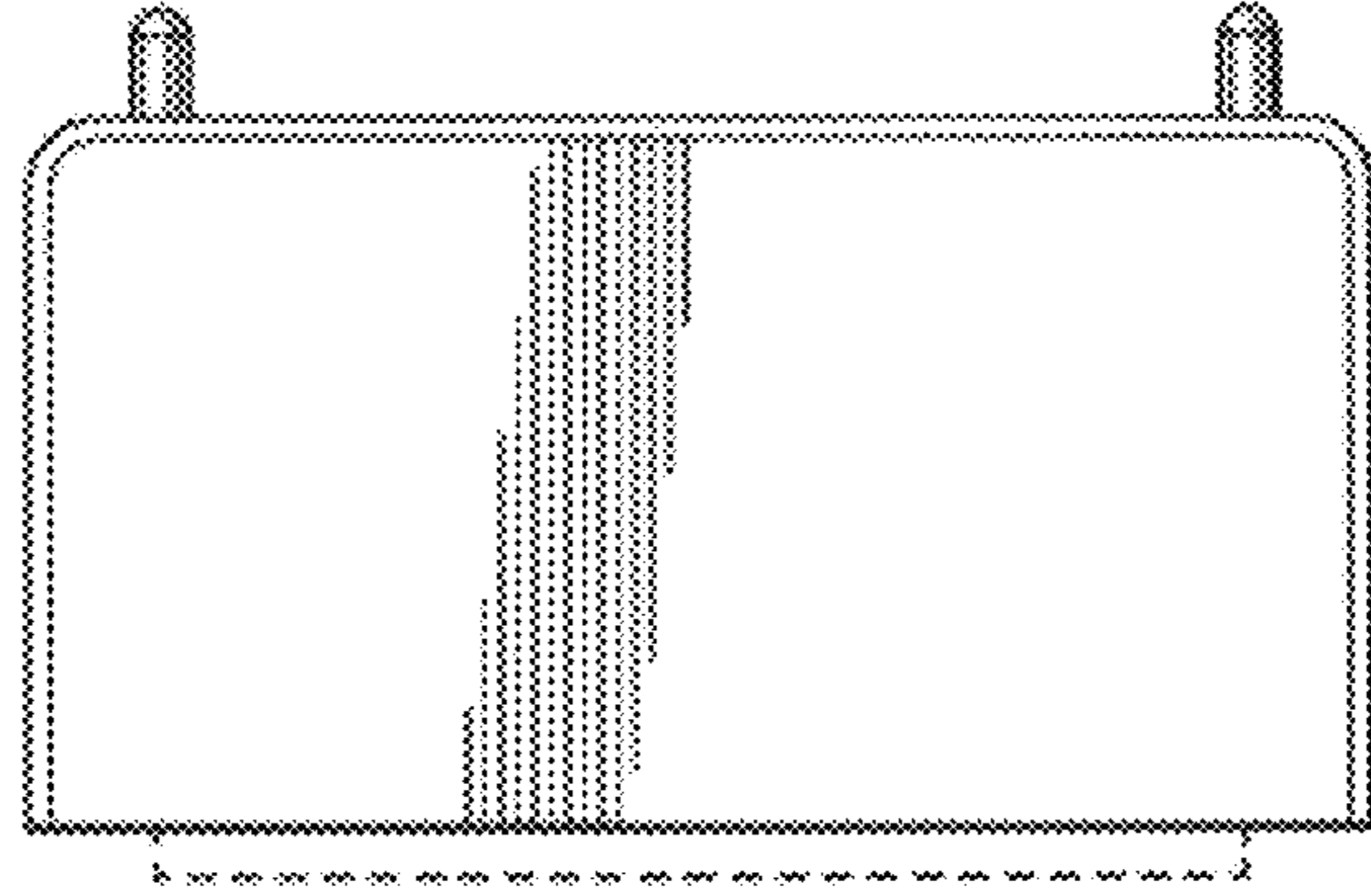


FIG. 3

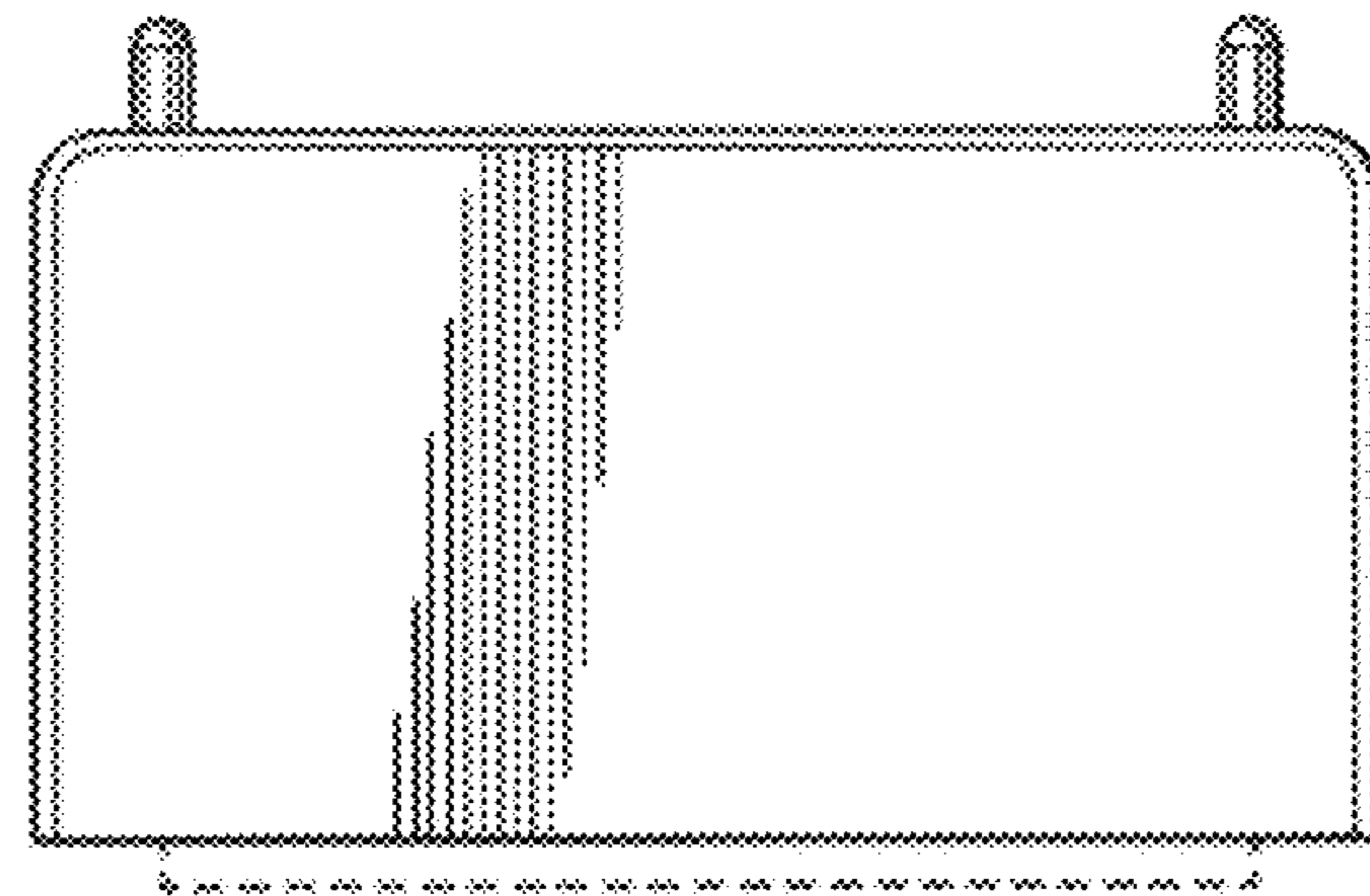


FIG. 5

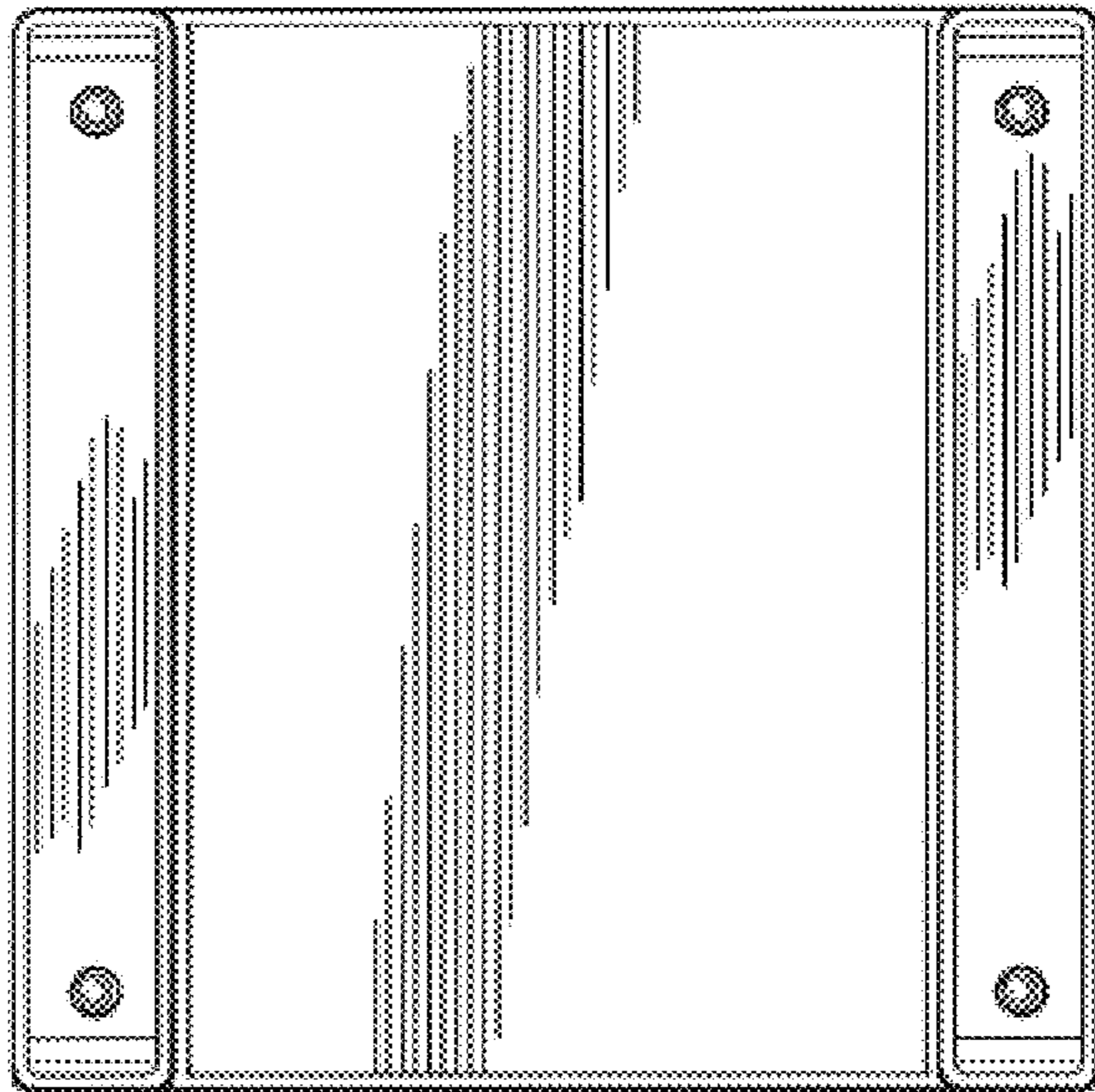


FIG. 4

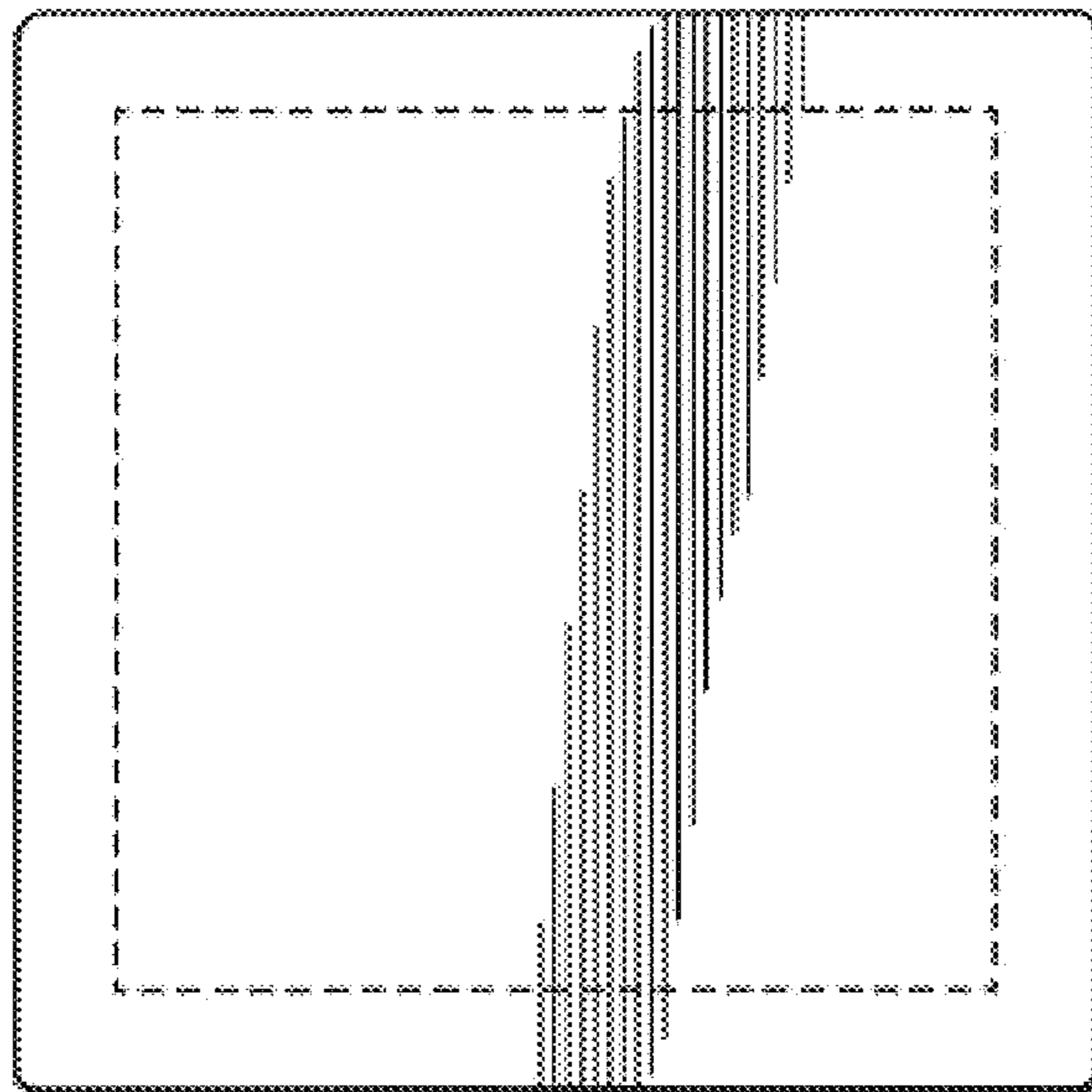


FIG. 6

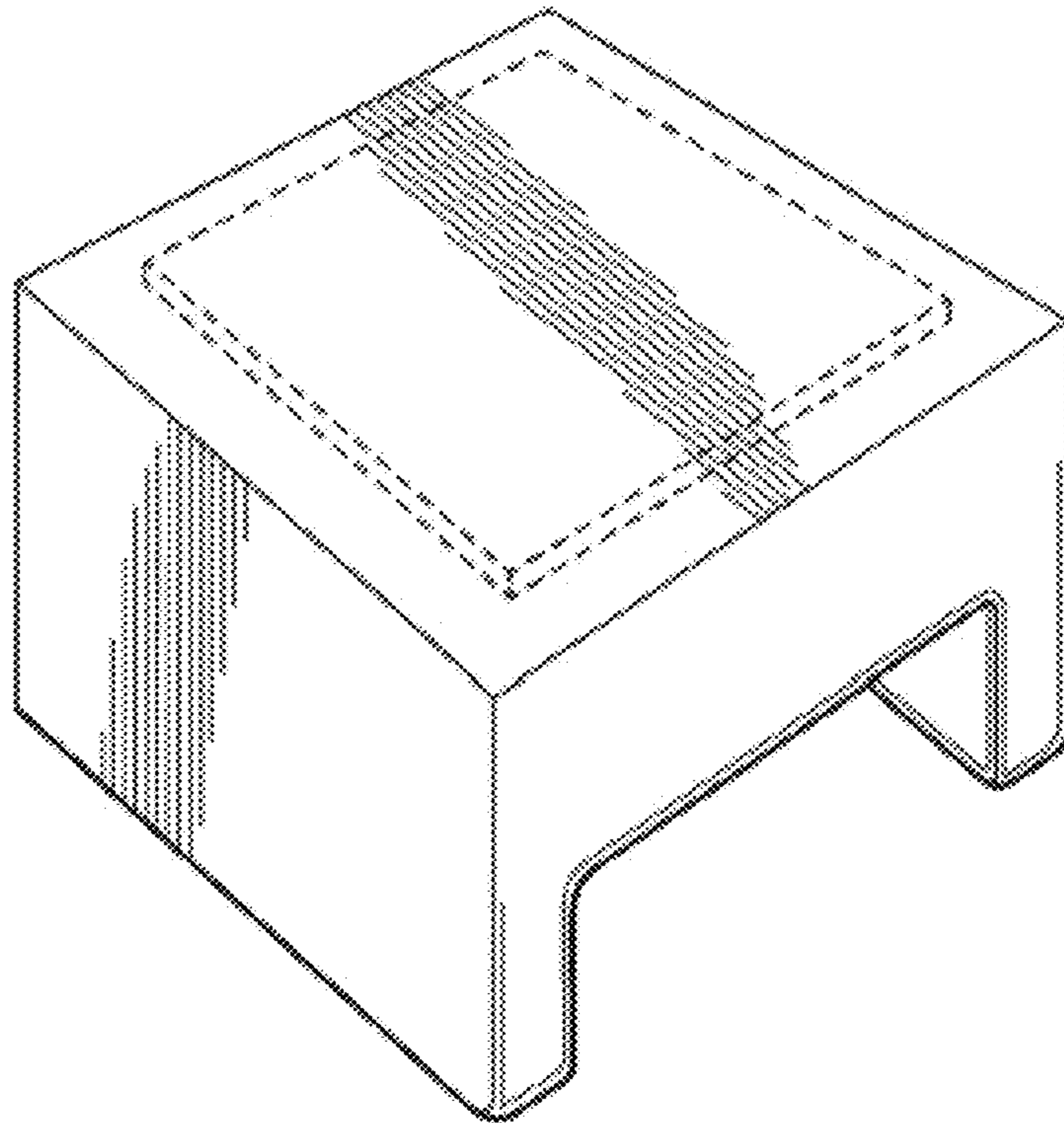


FIG. 8