



US00D807659S

(12) **United States Design Patent**
Baylar

(10) **Patent No.:** **US D807,659 S**
(45) **Date of Patent:** **** Jan. 16, 2018**

- (54) **CHAIR**
- (71) Applicant: **HUDSON FURNITURE, INC.**, New York, NY (US)
- (72) Inventor: **Barlas Baylar**, New York, NY (US)
- (73) Assignee: **HUDSON FURNITURE, INC.**, New York, NY (US)
- (**) Term: **15 Years**
- (21) Appl. No.: **29/557,246**
- (22) Filed: **Mar. 7, 2016**
- (51) **LOC (11) Cl.** **06-01**
- (52) **U.S. Cl.**
USPC **D6/379; D6/380**
- (58) **Field of Classification Search**
USPC D6/334, 335, 336, 370, 371, 372, 373, D6/374, 375, 376, 379, 380, 381, 716, D6/716.1, 716.2, 716.3, 716.4
CPC A47C 3/04; A47C 3/12; A47C 3/00; A47C 4/02; A47C 4/03; A47C 5/12; A47C 7/54; A47C 4/024; A47C 4/028; A47C 9/007; A47C 7/16; B60N 2/686
See application file for complete search history.

D446,956 S *	8/2001	Black	D6/369
D474,904 S *	5/2003	Ciabatti	D6/370
D517,824 S *	3/2006	Pensi	D6/374
D526,138 S *	8/2006	Rech	D6/376
D540,555 S *	4/2007	Doughty	D6/369
D544,234 S *	6/2007	Olano	D6/374
D547,963 S *	8/2007	Olano	D6/379
D555,928 S *	11/2007	Pensi	D6/374
D557,919 S *	12/2007	Rech	D6/369
D571,119 S *	6/2008	Leonetti	D6/379
D579,052 S *	10/2008	Ciani	D6/379
D598,669 S *	8/2009	Schweikarth	D6/379
D648,556 S *	11/2011	Frinier	D6/369
D654,285 S *	2/2012	Ballendat	D6/379
D656,336 S *	3/2012	Neil	D6/379
D670,100 S *	11/2012	Krusin	D6/379
D708,452 S *	7/2014	Garcia	D6/379
D740,046 S *	10/2015	Levy	D6/379
D759,986 S *	6/2016	Bougay	D6/370
D761,032 S *	7/2016	Asner	D6/370
D761,034 S *	7/2016	Asner	D6/379

* cited by examiner

Primary Examiner — David G Muller
Assistant Examiner — Nathan M Johnston
(74) *Attorney, Agent, or Firm* — Hodgson Russ LLP

(57) **CLAIM**

The ornamental design for a chair, as shown and described.

DESCRIPTION

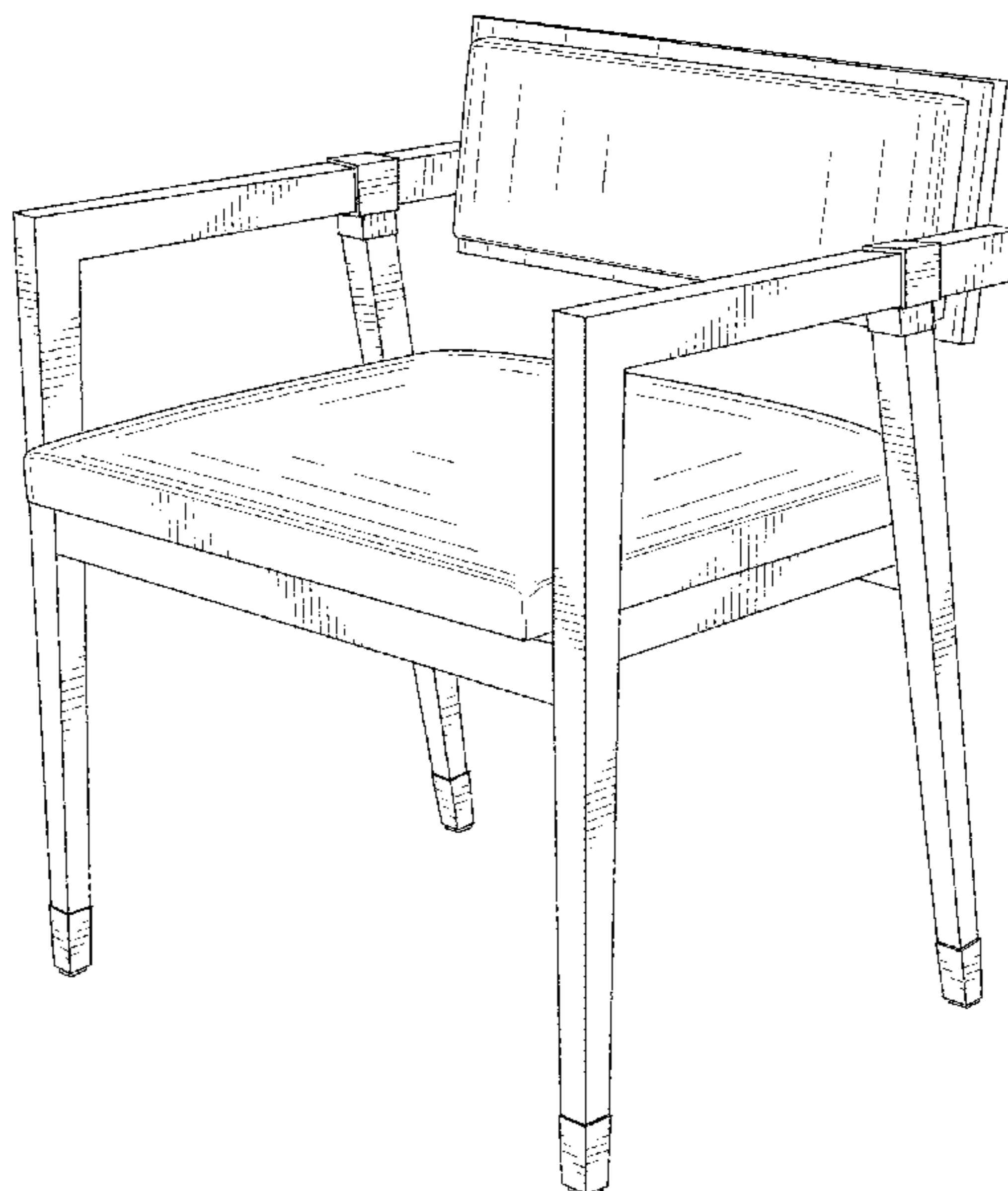
FIG. 1 is a perspective view of a chair showing my new design;
FIG. 2 is a front elevation view thereof;
FIG. 3 is a rear elevation view thereof;
FIG. 4 is a right side elevation view thereof;
FIG. 5 is a left side elevation view thereof;
FIG. 6 is a top plan view thereof; and,
FIG. 7 is a bottom plan view thereof.

1 Claim, 7 Drawing Sheets

(56) **References Cited**

U.S. PATENT DOCUMENTS

3,088,517 A *	5/1963	Schwartz	A47C 7/22
				160/184
D204,451 S *	4/1966	Straits	297/411.43
D254,880 S *	5/1980	Durney	D6/379
D274,392 S *	6/1984	Blodee	D6/379
4,566,731 A *	1/1986	Marchesini	A47C 4/283
				297/440.11
D309,991 S *	8/1990	Miller	D6/379
D391,412 S *	3/1998	James	D6/379



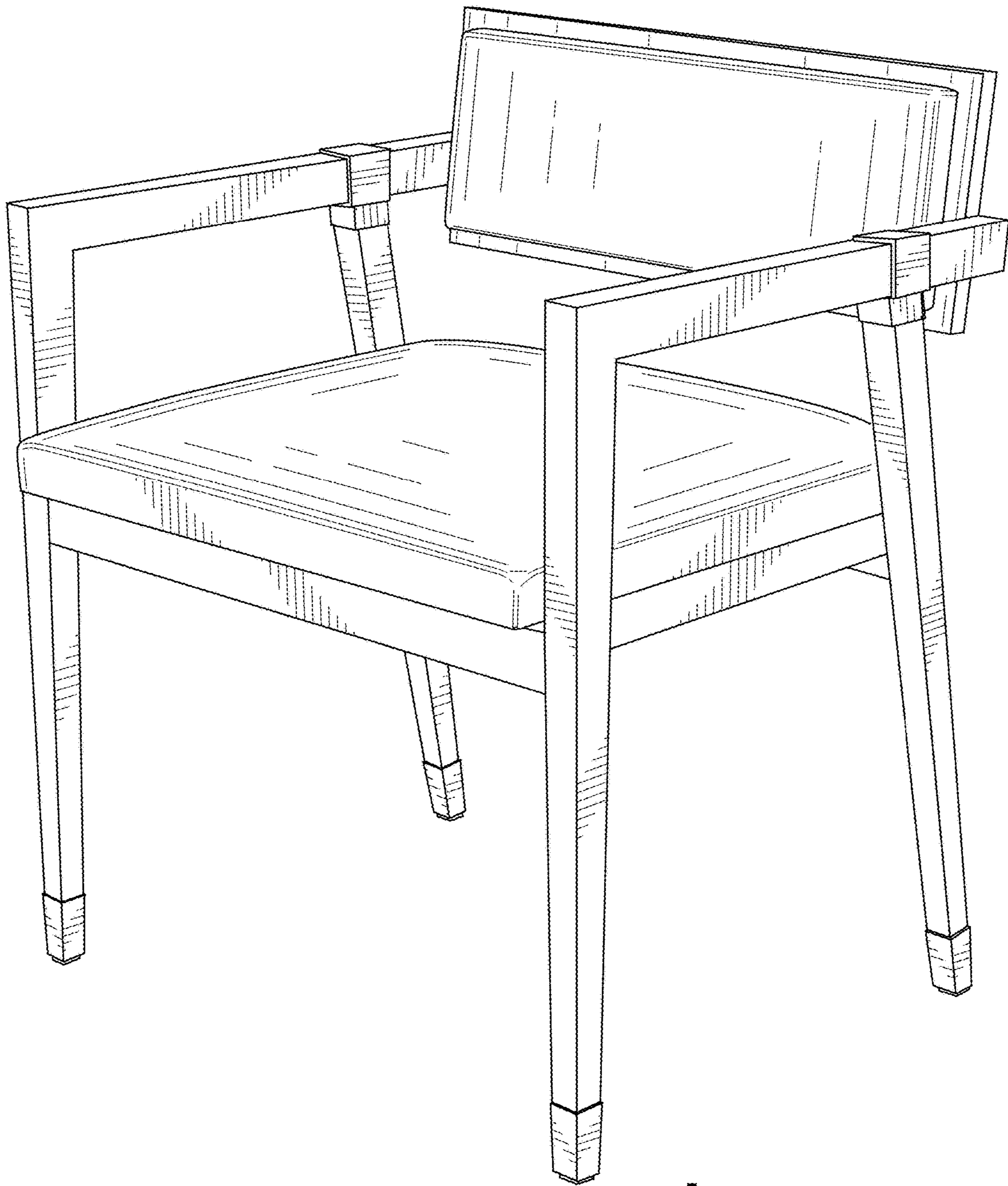


FIG. 1

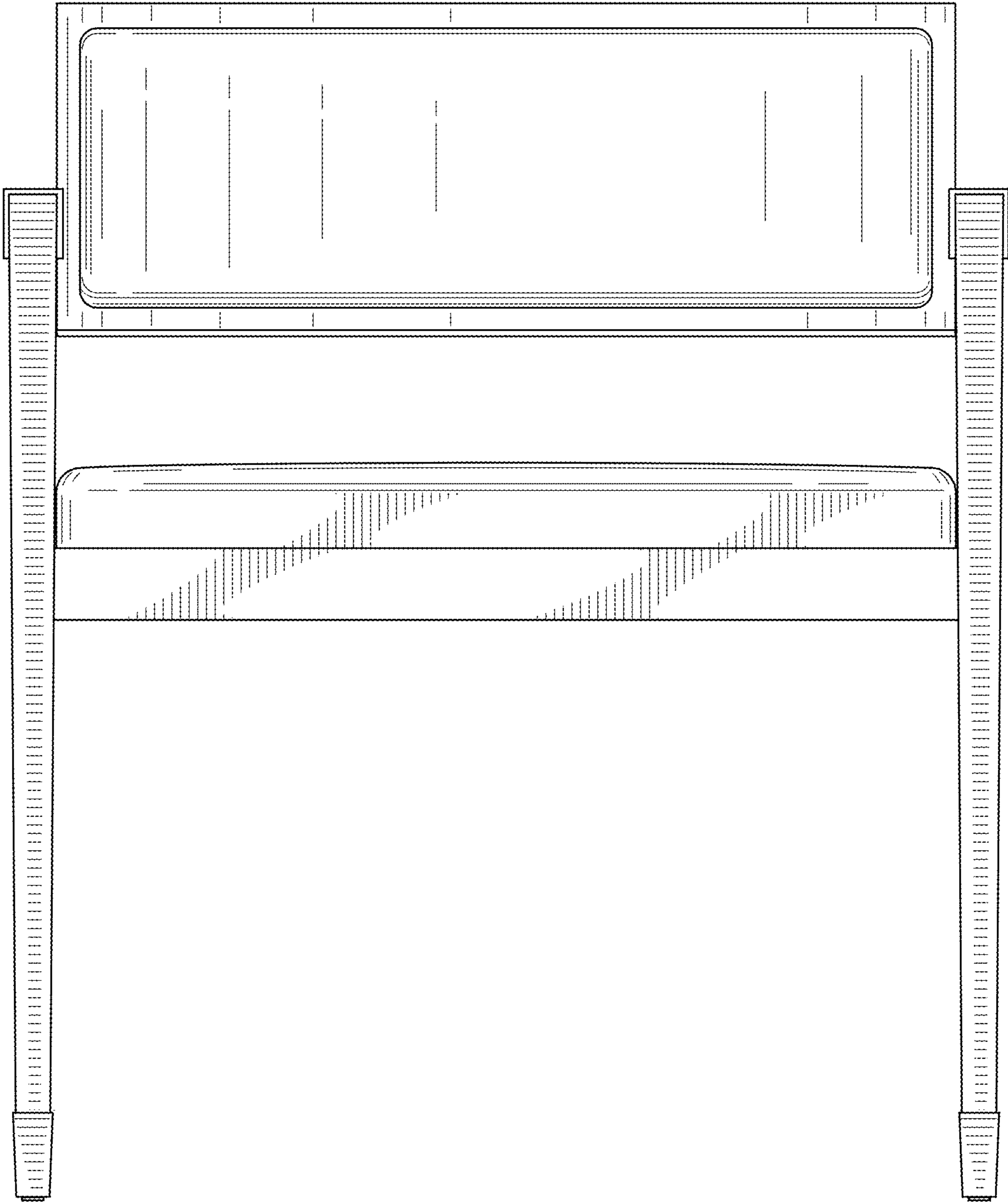


FIG. 2

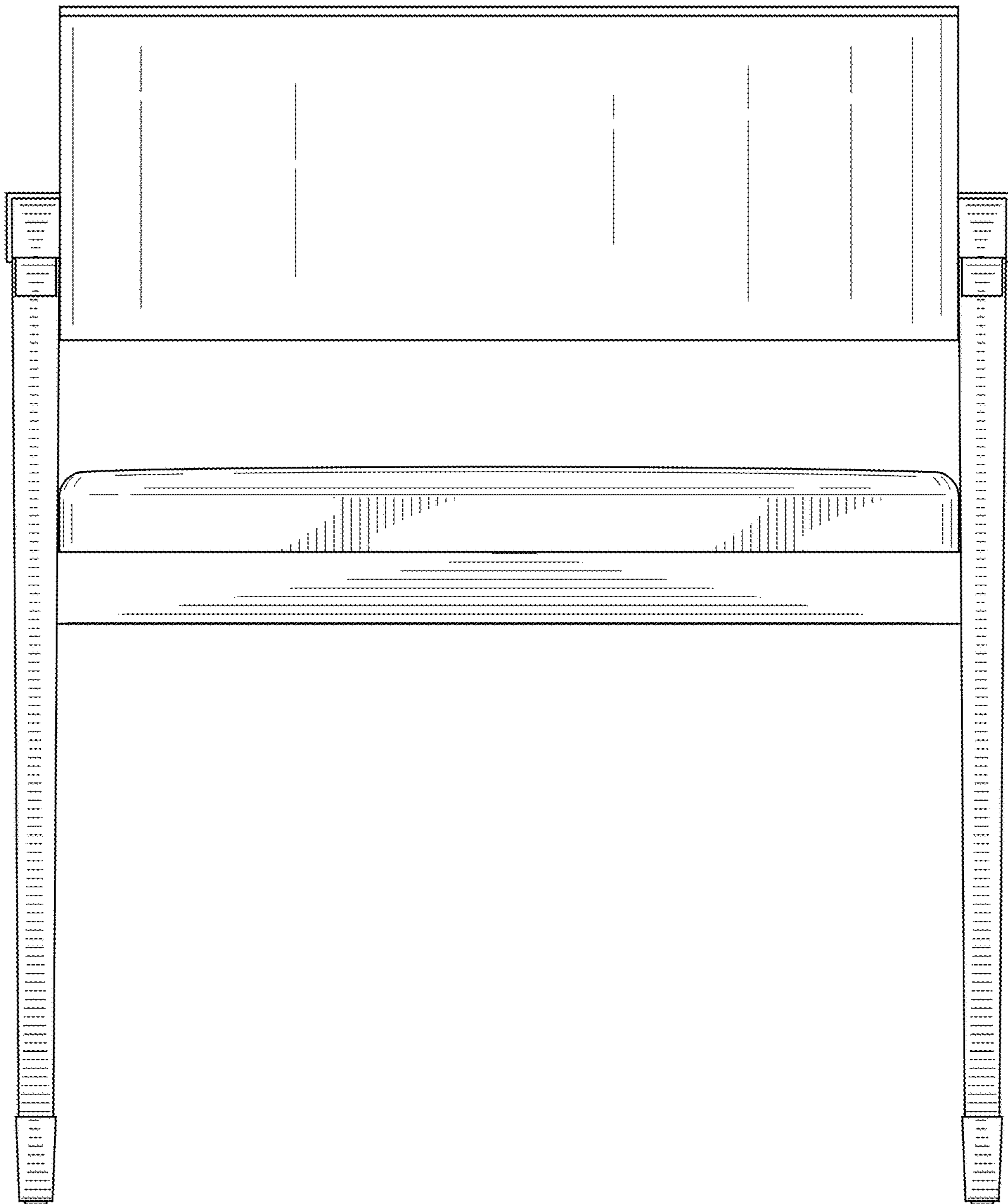


FIG. 3

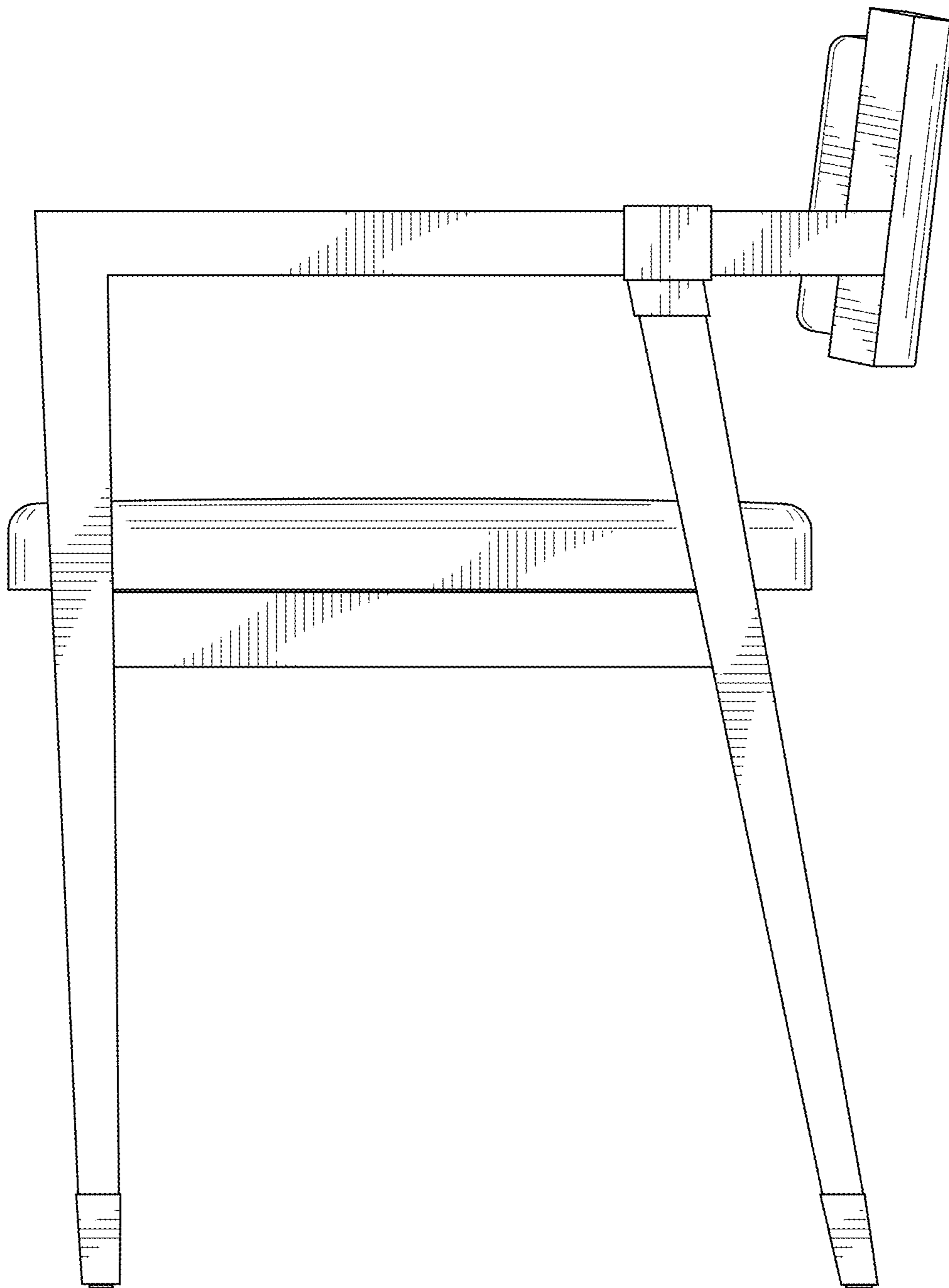


FIG. 4

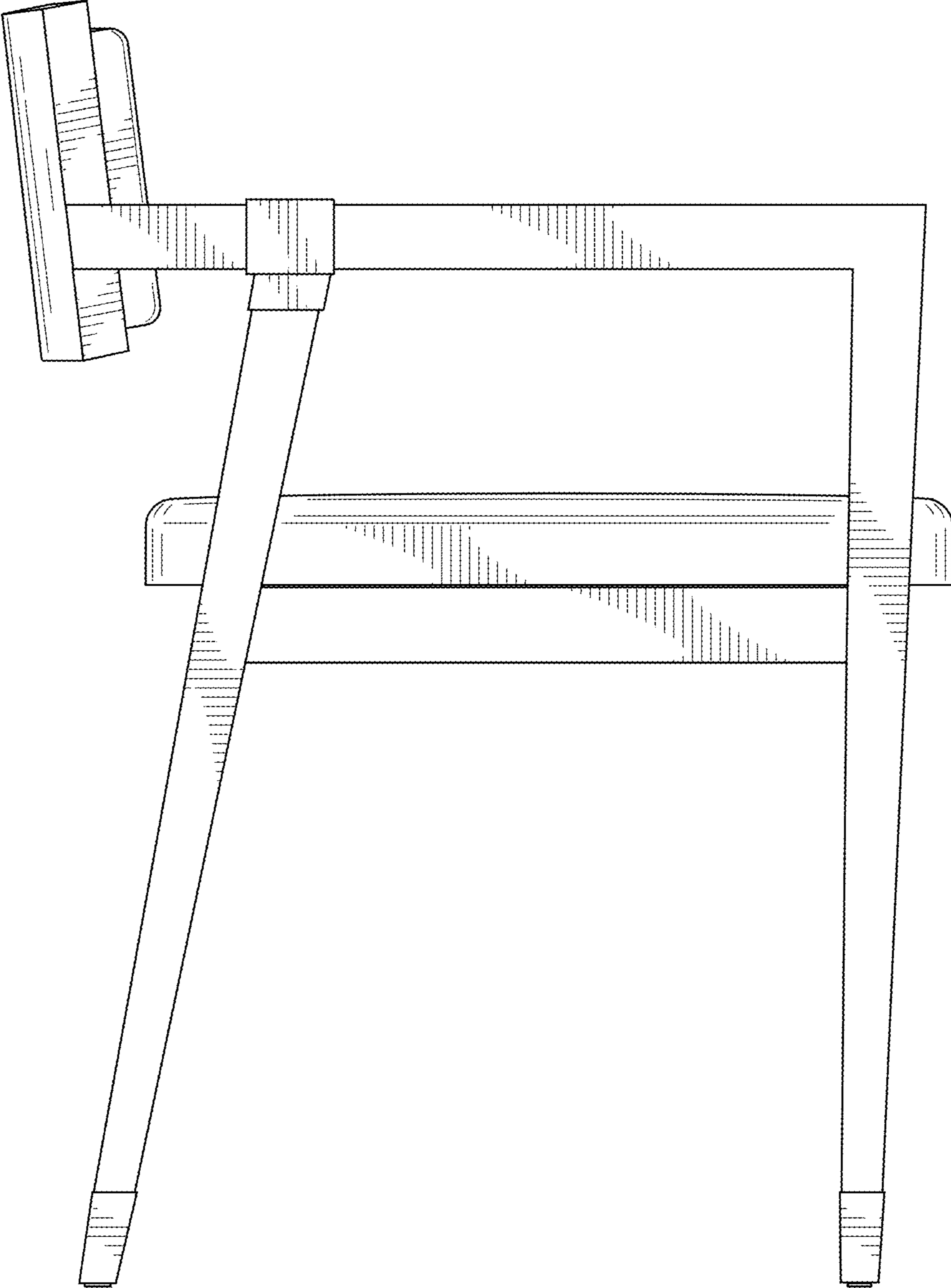


FIG. 5

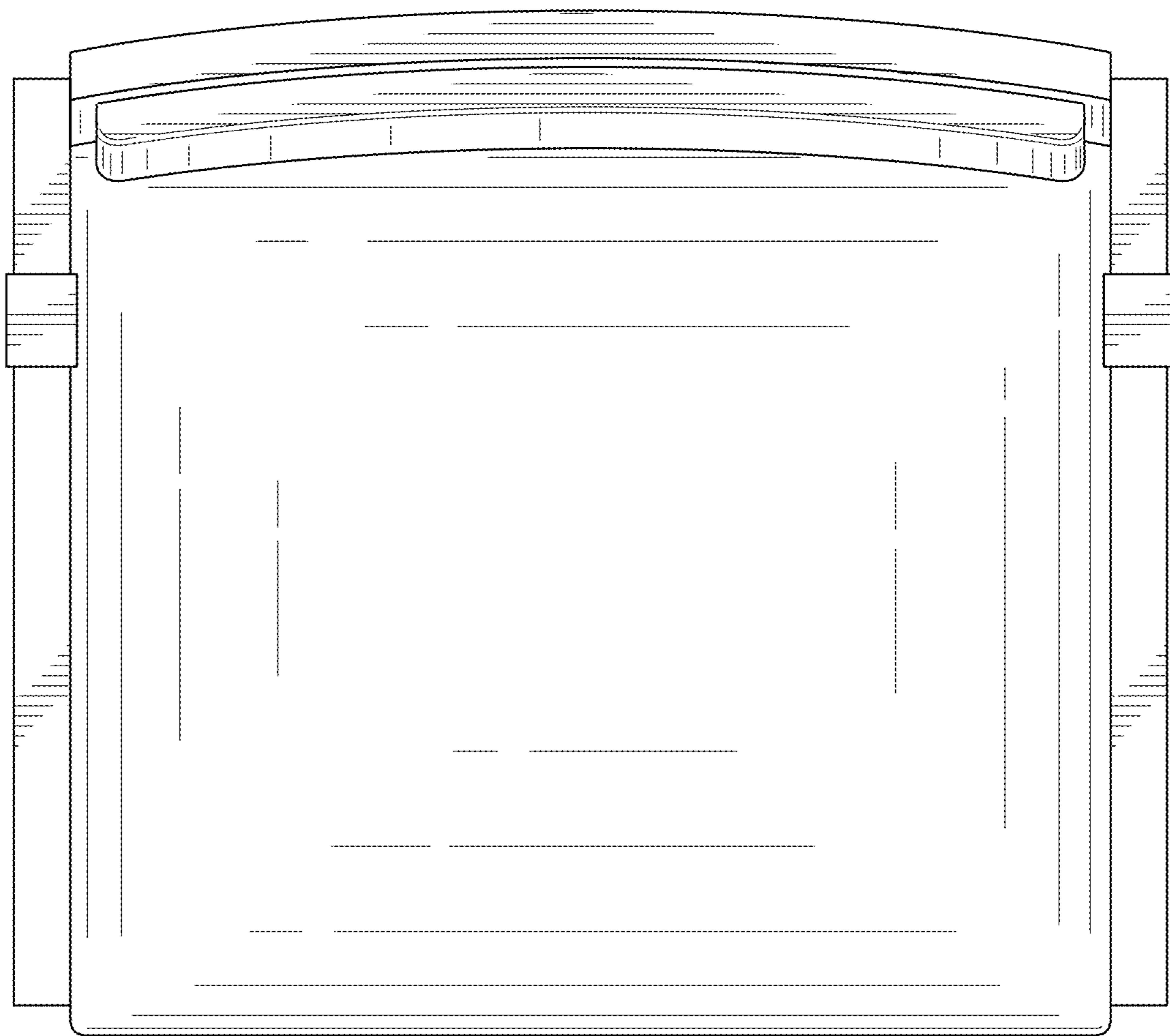


FIG. 6

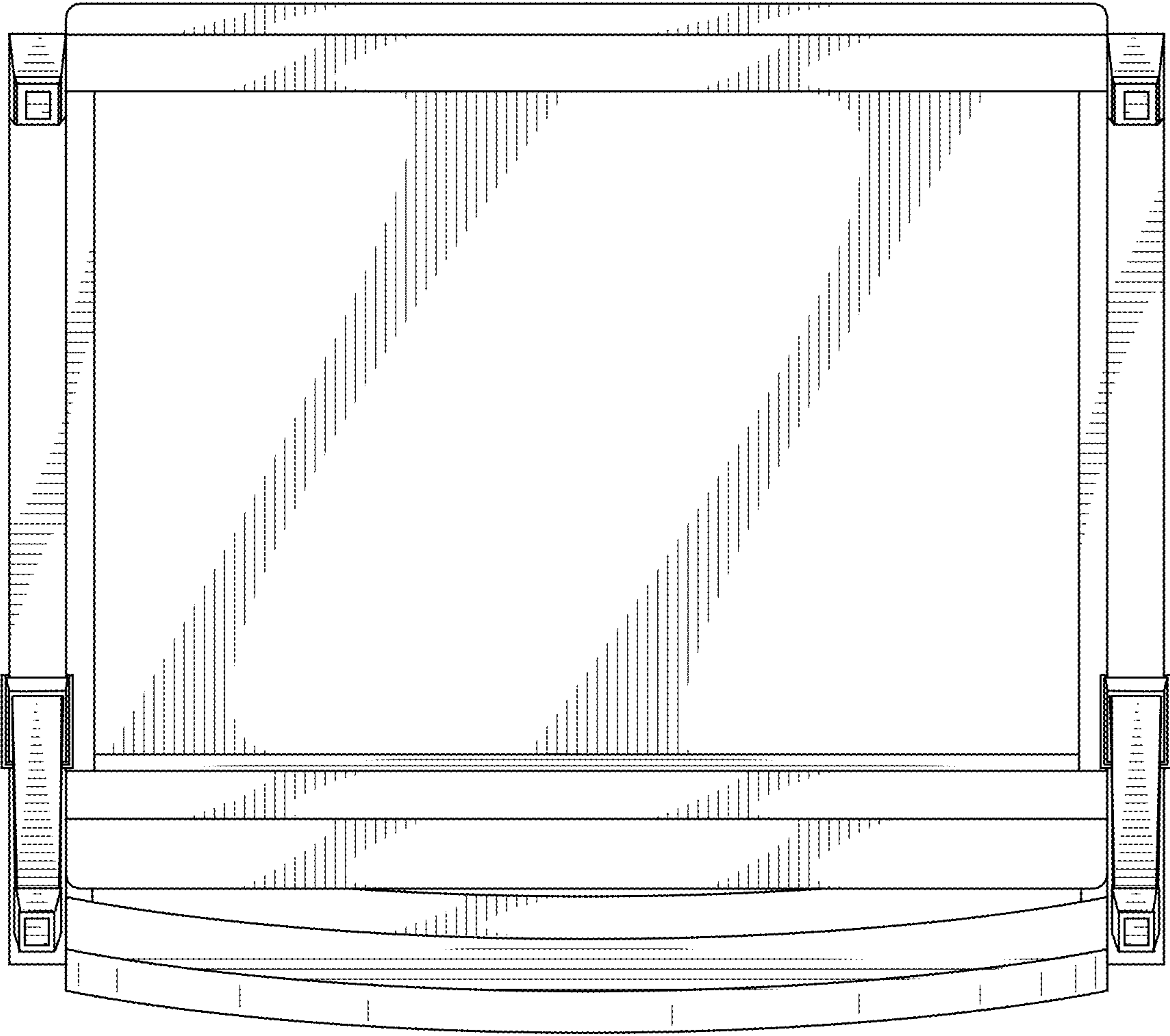


FIG. 7