



US00D807656S

(12) **United States Design Patent** (10) **Patent No.:** **US D807,656 S**
Cheng (45) **Date of Patent:** **** Jan. 16, 2018**

(54) **HIGH CHAIR**

(71) Applicant: **Pao-Hsien Cheng**, Tainan (TW)

(72) Inventor: **Pao-Hsien Cheng**, Tainan (TW)

(**) Term: **15 Years**

(21) Appl. No.: **29/593,637**

(22) Filed: **Feb. 10, 2017**

(51) **LOC (11) Cl.** **06-01**

(52) **U.S. Cl.**
USPC **D6/339**

(58) **Field of Classification Search**
USPC D6/334-336, 338-339, 491, 333, 716,
D6/716.1-716.7; D12/129; D21/412,
D21/419; 280/30-31; 5/94, 98.1, 99.1,
5/101, 105, 655; 297/183.1-183.4,
297/184.13, 184.15, 184.17, 250.1, 256.1,
297/255, 256.15, 256.16, 174 R, 174 CS,
297/170-173, 136, 148, 27, 61, 68;
4/572.1

CPC B60N 2/2821; B60N 2/02; B60N 2/10;
B60N 2/16; B60N 2/22; B60N 2/26;
B60N 2002/0212; B60N 2002/0216;
B60N 2002/022; A47D 13/02; A47D
13/083; A47D 1/00; A47D 1/002; A47D
1/004; A47D 1/008; A47D 1/04

See application file for complete search history.

(56) **References Cited**

U.S. PATENT DOCUMENTS

D365,936 S *	1/1996	Haut	D6/339
D619,818 S *	7/2010	Bergkvist	D6/339
D646,495 S *	10/2011	Shaw	D6/339
D694,029 S *	11/2013	Yeh	D6/339
D722,779 S *	2/2015	Gov	D6/339
D742,656 S *	11/2015	Ho	D6/339
D769,630 S *	10/2016	Daley	D6/339

* cited by examiner

Primary Examiner — Abraham Bahta

(74) *Attorney, Agent, or Firm* — Rosenberg, Klein & Lee

(57) **CLAIM**

The ornamental design for a high chair, as shown and described.

DESCRIPTION

FIG. 1 is a perspective view of a high chair showing my new design;
FIG. 2 is a front elevational view thereof;
FIG. 3 is a rear elevational view thereof;
FIG. 4 is a left side elevational view thereof;
FIG. 5 is a right side elevational view thereof;
FIG. 6 is a top plan view thereof; and,
FIG. 7 is a bottom plan view thereof.
The broken lines illustrate portions of the article and form no part of the claimed design.

1 Claim, 7 Drawing Sheets

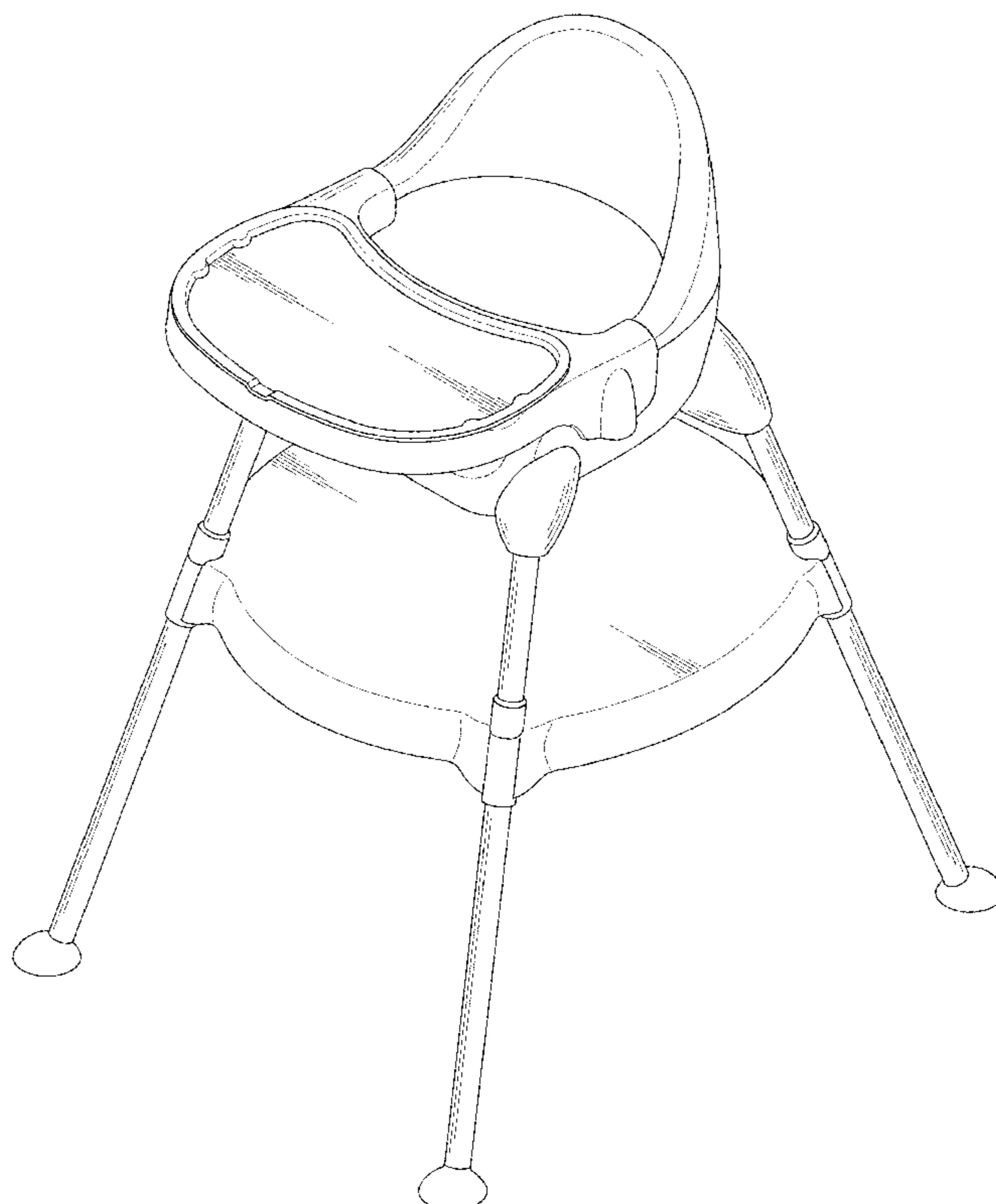




FIG. 1

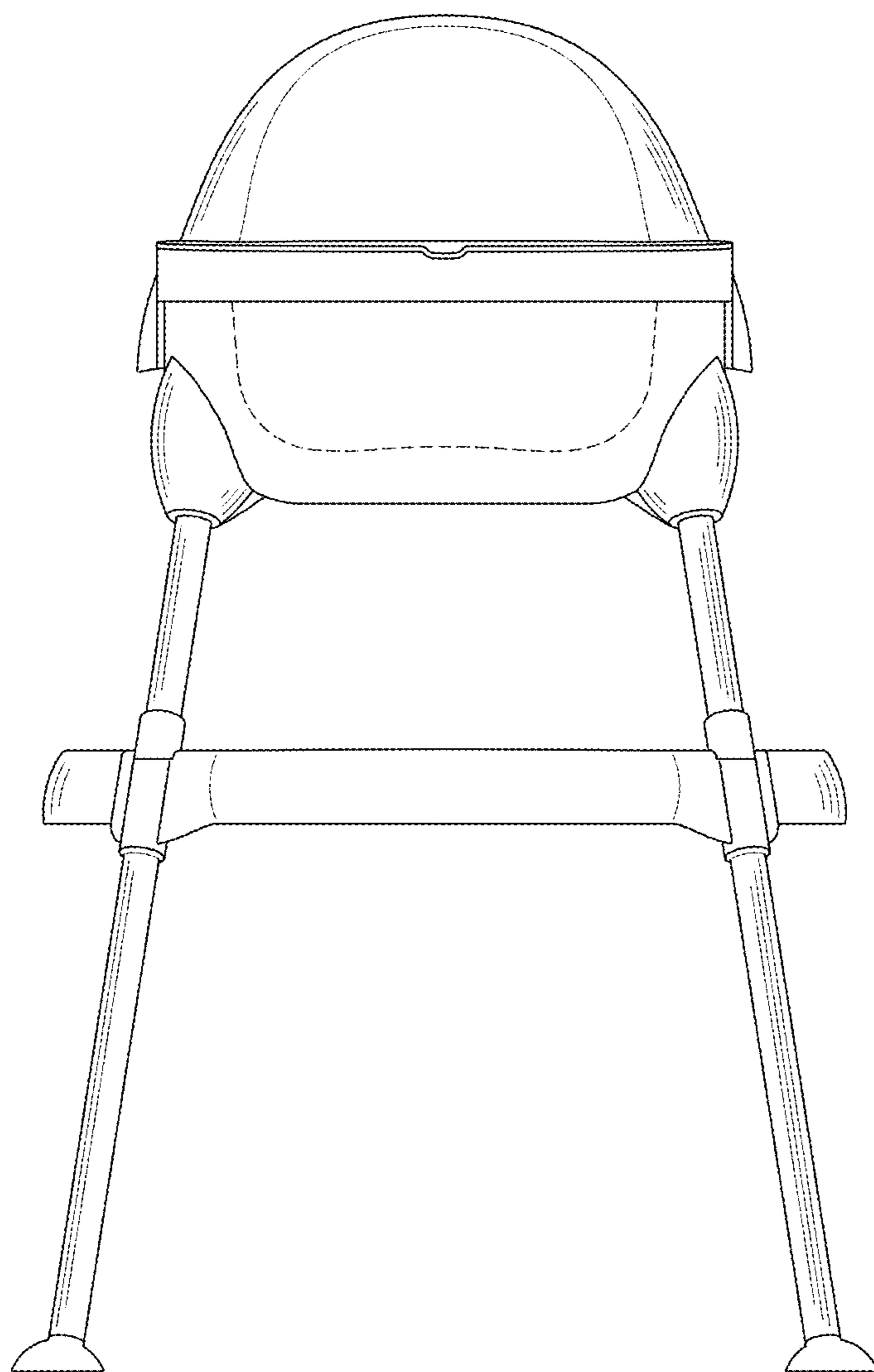


FIG. 2

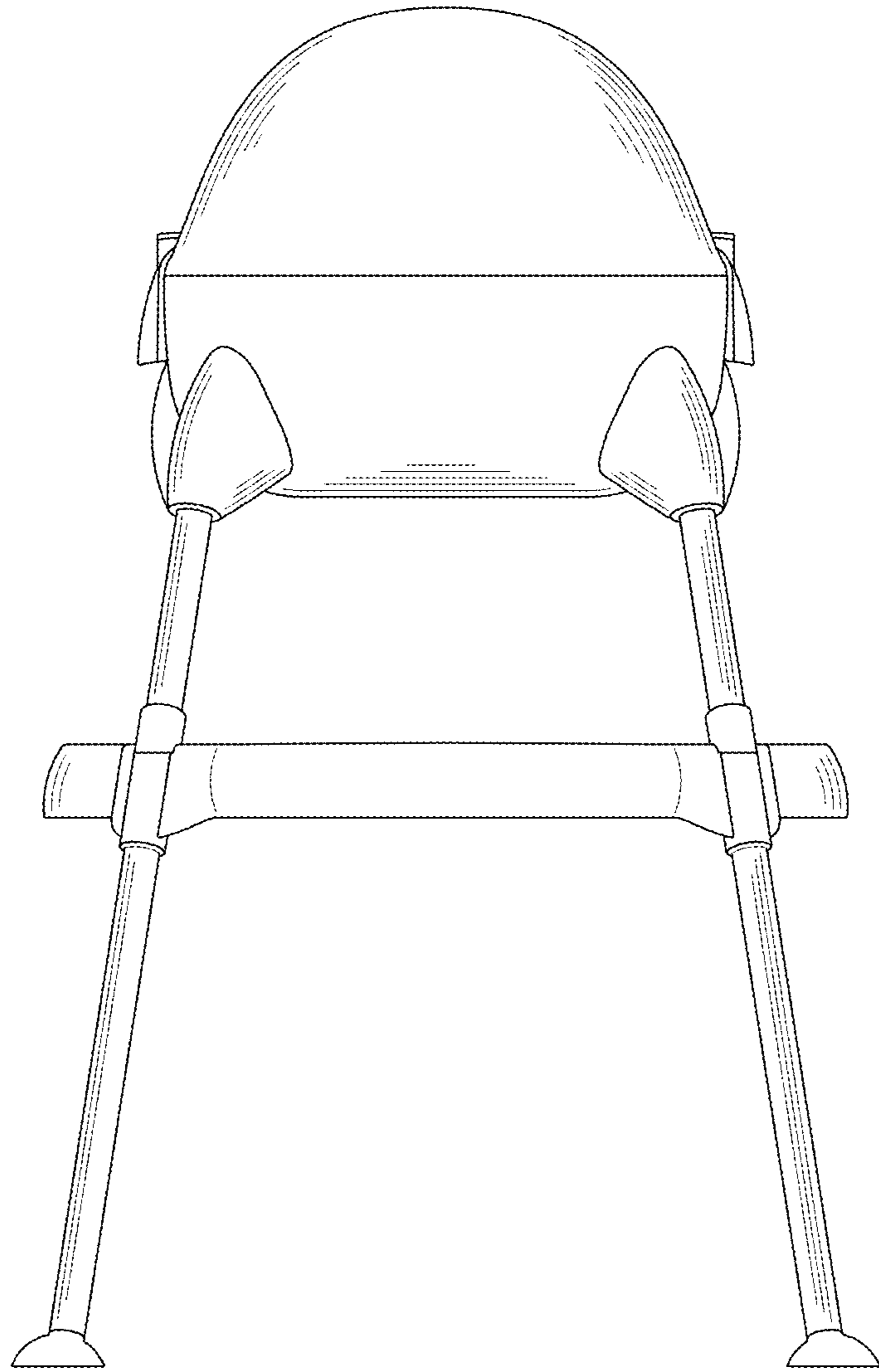


FIG. 3

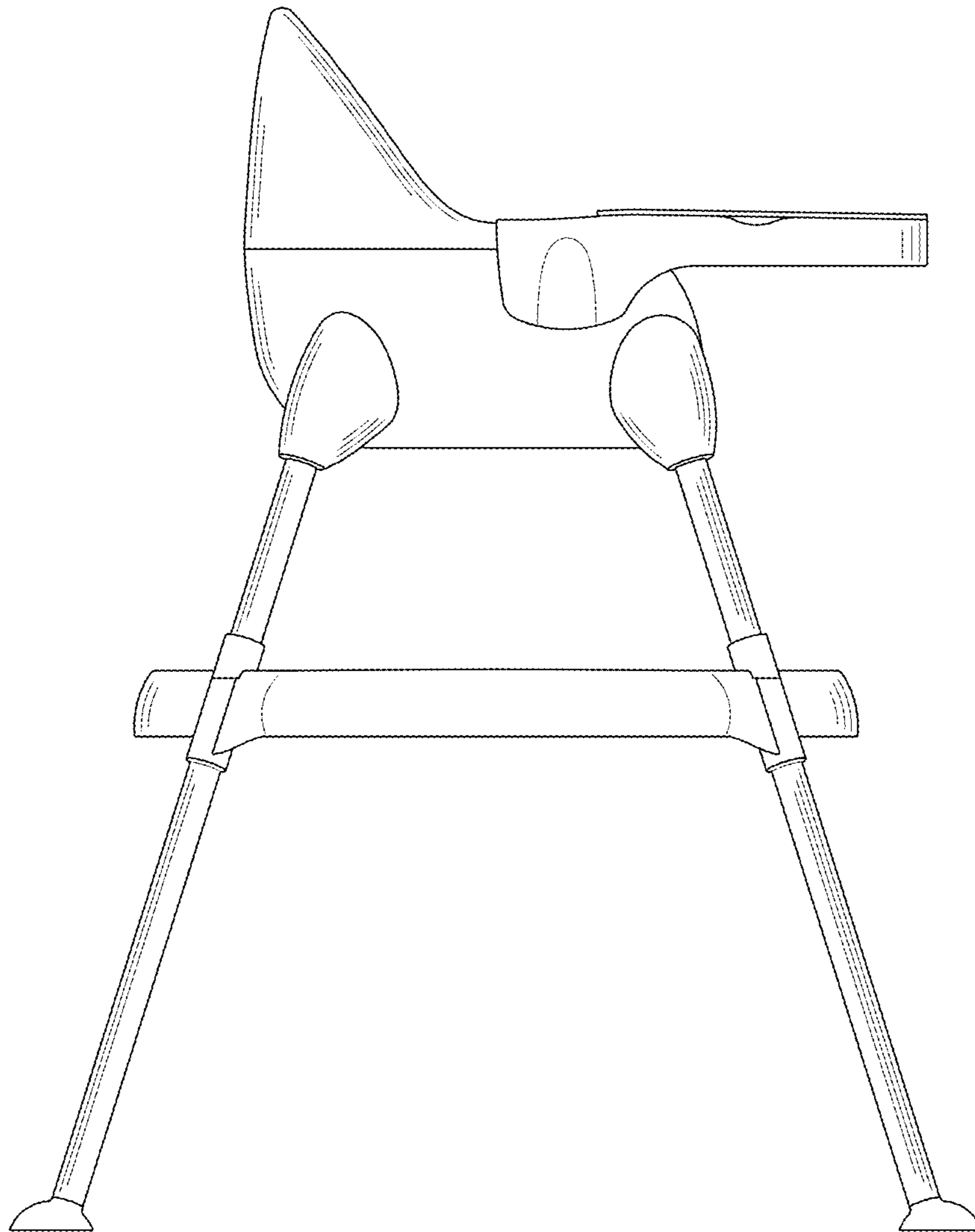


FIG. 4

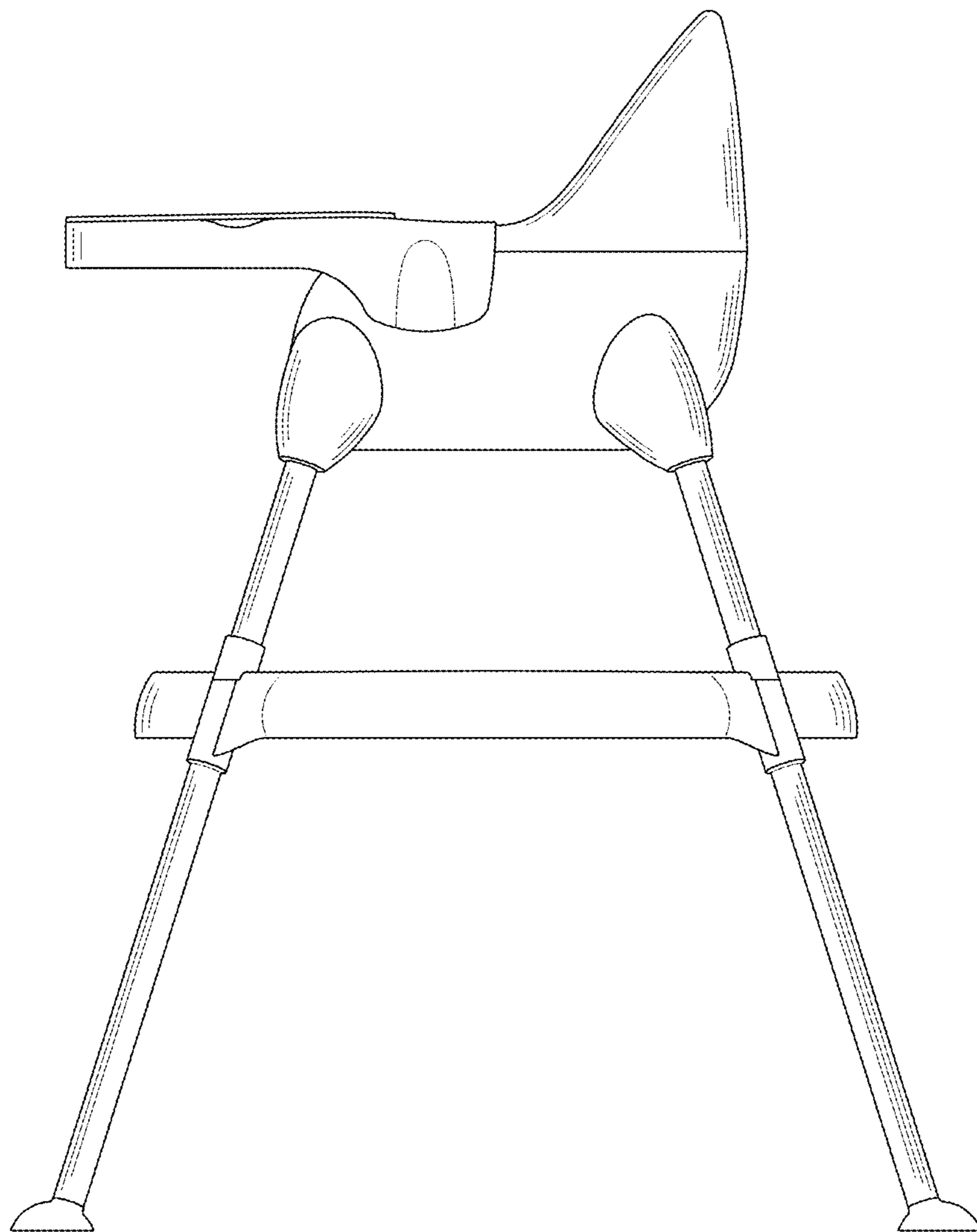


FIG. 5

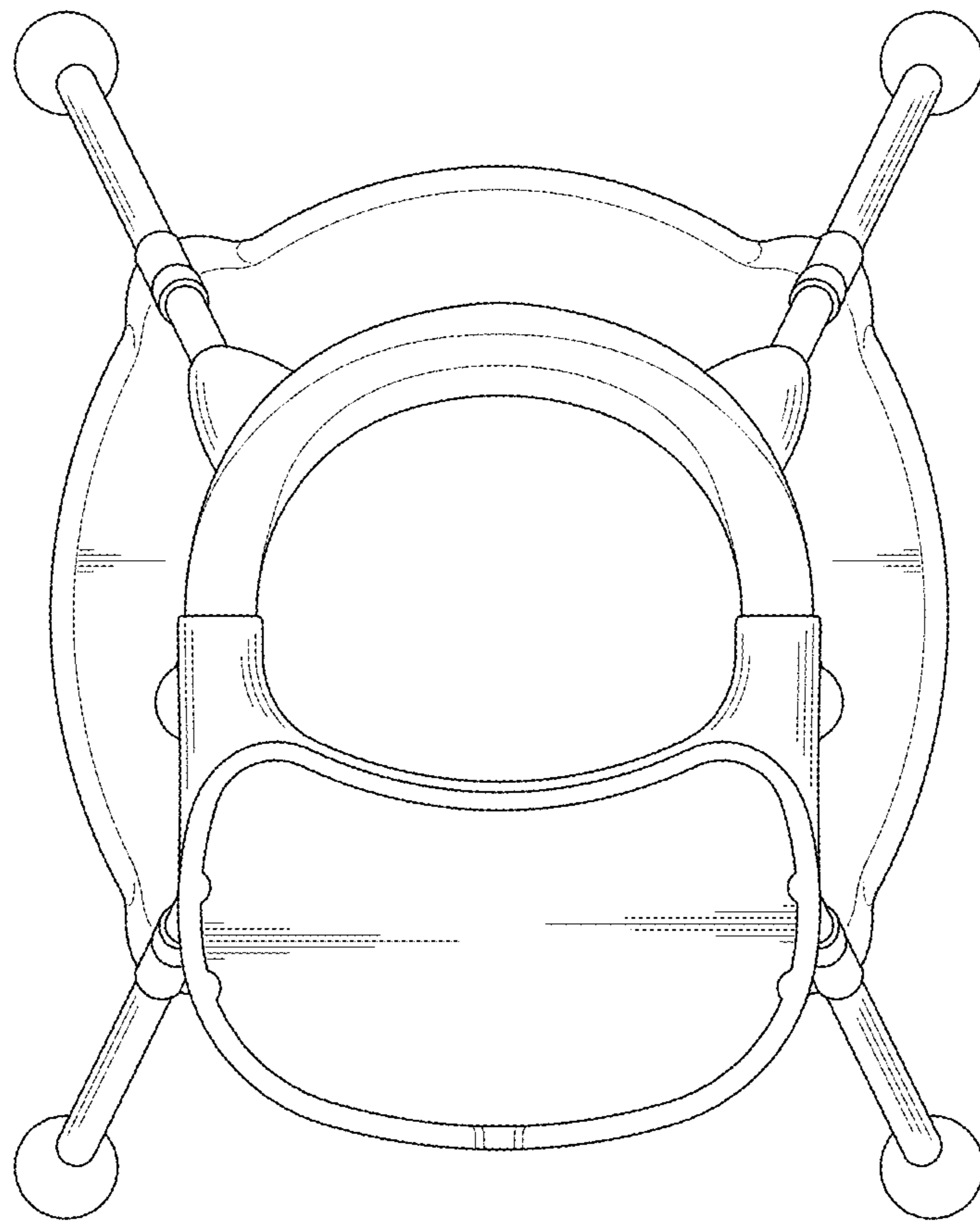


FIG. 6

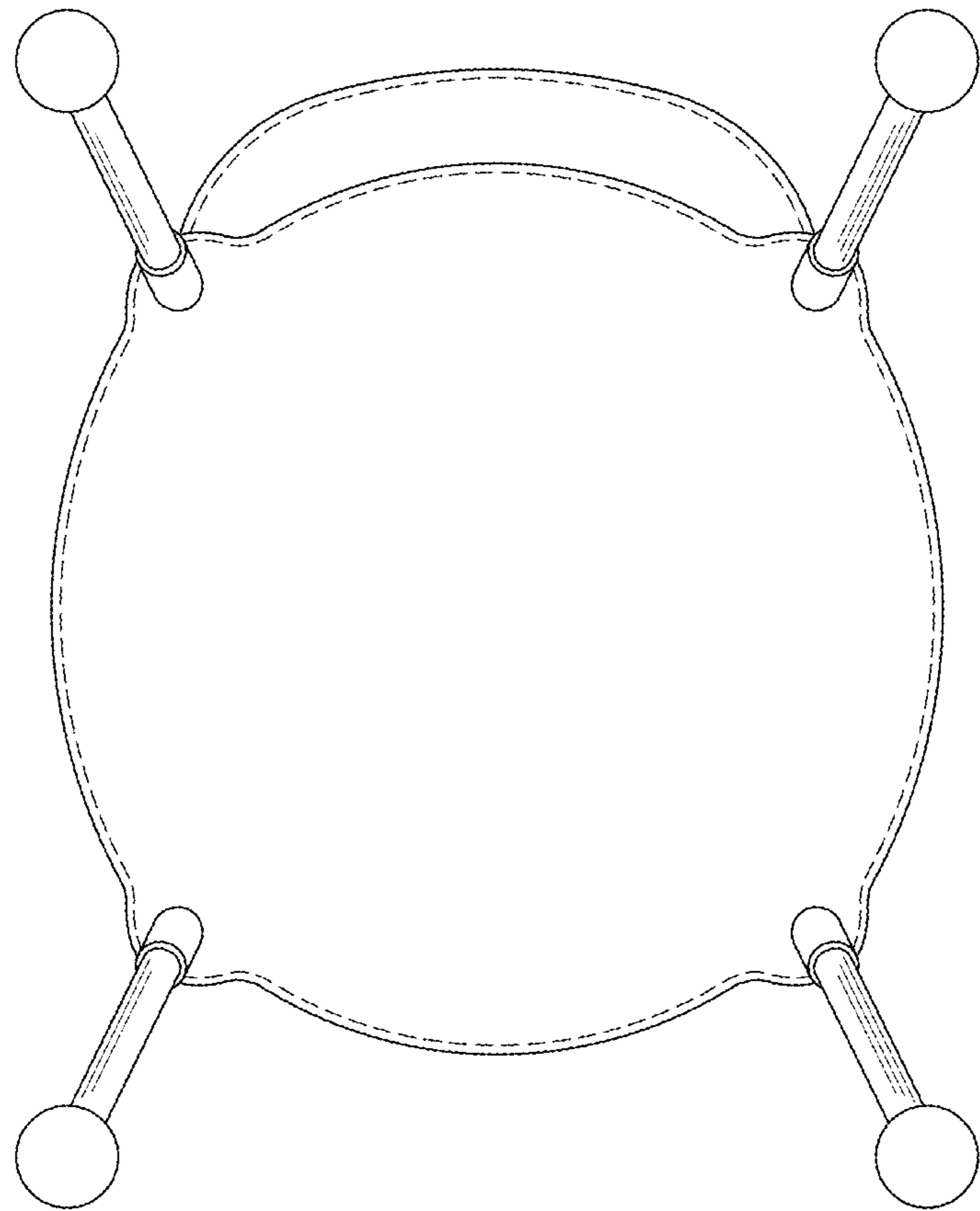


FIG. 7