



US00D807655S

(12) **United States Design Patent**  
**Webb**

(10) **Patent No.:** **US D807,655 S**

(45) **Date of Patent:** **\*\* Jan. 16, 2018**

(54) **OFFICE FURNITURE**

(71) Applicant: **Roger Webb Associates Ltd**, London (GB)

(72) Inventor: **Roger Webb**, London (GB)

(73) Assignee: **Roger Webb Associates Ltd**, London (GB)

(\*\*) Term: **15 Years**

(21) Appl. No.: **29/603,775**

(22) Filed: **May 12, 2017**

**Related U.S. Application Data**

(62) Division of application No. 29/511,602, filed on Dec. 11, 2014, now Pat. No. Des. 786,571.

(30) **Foreign Application Priority Data**

Jun. 12, 2014 (EM) ..... 002481788-0002

Jun. 12, 2014 (EM) ..... 002481788-0003

(Continued)

(51) **LOC (11) Cl.** ..... **06-01**

(52) **U.S. Cl.**  
USPC ..... **D6/335; D6/381**

(58) **Field of Classification Search**  
USPC ..... D6/334, 335, 336, 360, 361, 367, 368,  
D6/371-375, 379-381, 716, 716.1-716.8

(Continued)

(56) **References Cited**

**U.S. PATENT DOCUMENTS**

D220,997 S \* 6/1971 Svezia et al. .... D6/335

D234,731 S \* 4/1975 McDonald ..... D6/371

(Continued)

*Primary Examiner* — Deanna L Pratt

(74) *Attorney, Agent, or Firm* — Abelman, Frayne & Schwab

(57) **CLAIM**

The ornamental design for office furniture, as shown and described.

**DESCRIPTION**

FIG. 1 is a top, front and right side perspective view of a 1st embodiment of the office furniture of my new design, FIG. 2 is a top, front and left side perspective view thereof, FIG. 3 is another top, front and left side perspective view thereof,

FIG. 4 is a top, rear and left side perspective view thereof, FIG. 5 is a front elevation view thereof,

FIG. 6 is a left side elevation view thereof, the right side elevation view being a mirror image,

FIG. 7 is a rear elevation view thereof,

FIG. 8 is a top, front and right side perspective view of a 2nd embodiment of the office furniture of my new design,

FIG. 9 is another top, front and right side perspective view thereof,

FIG. 10 is a top, rear and left side perspective view thereof, FIG. 11 is a top, front and left side perspective view thereof,

FIG. 12 is a left side elevation view thereof, the right side elevation view being a mirror image,

FIG. 13 is a front elevation view thereof,

FIG. 14 is a rear elevation view thereof

FIG. 15 is a top, front and right side perspective view of a 3rd embodiment of the office furniture my new design,

FIG. 16 is a top, rear and left side perspective view thereof, FIG. 17 is a top, front and left side perspective view thereof,

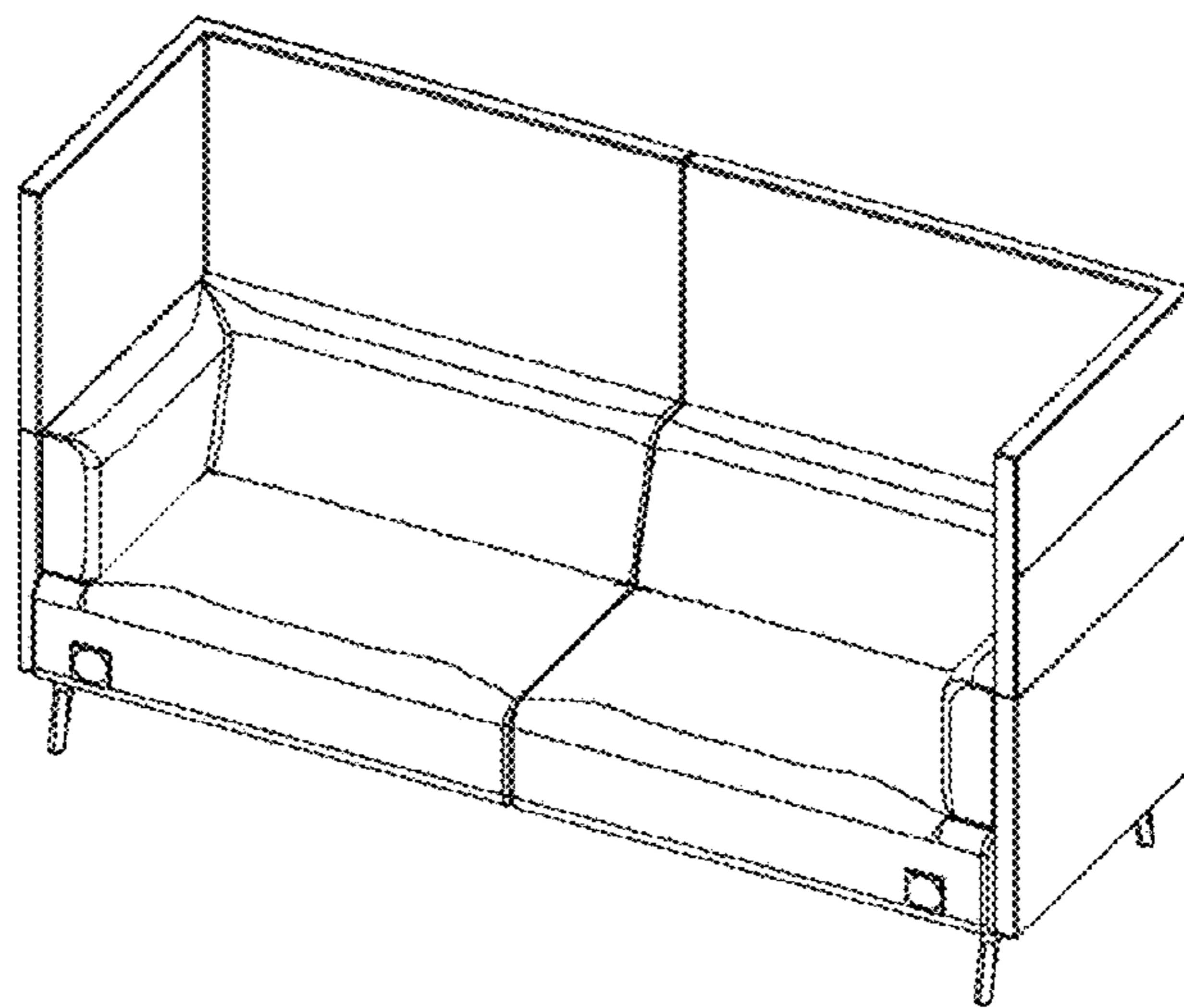
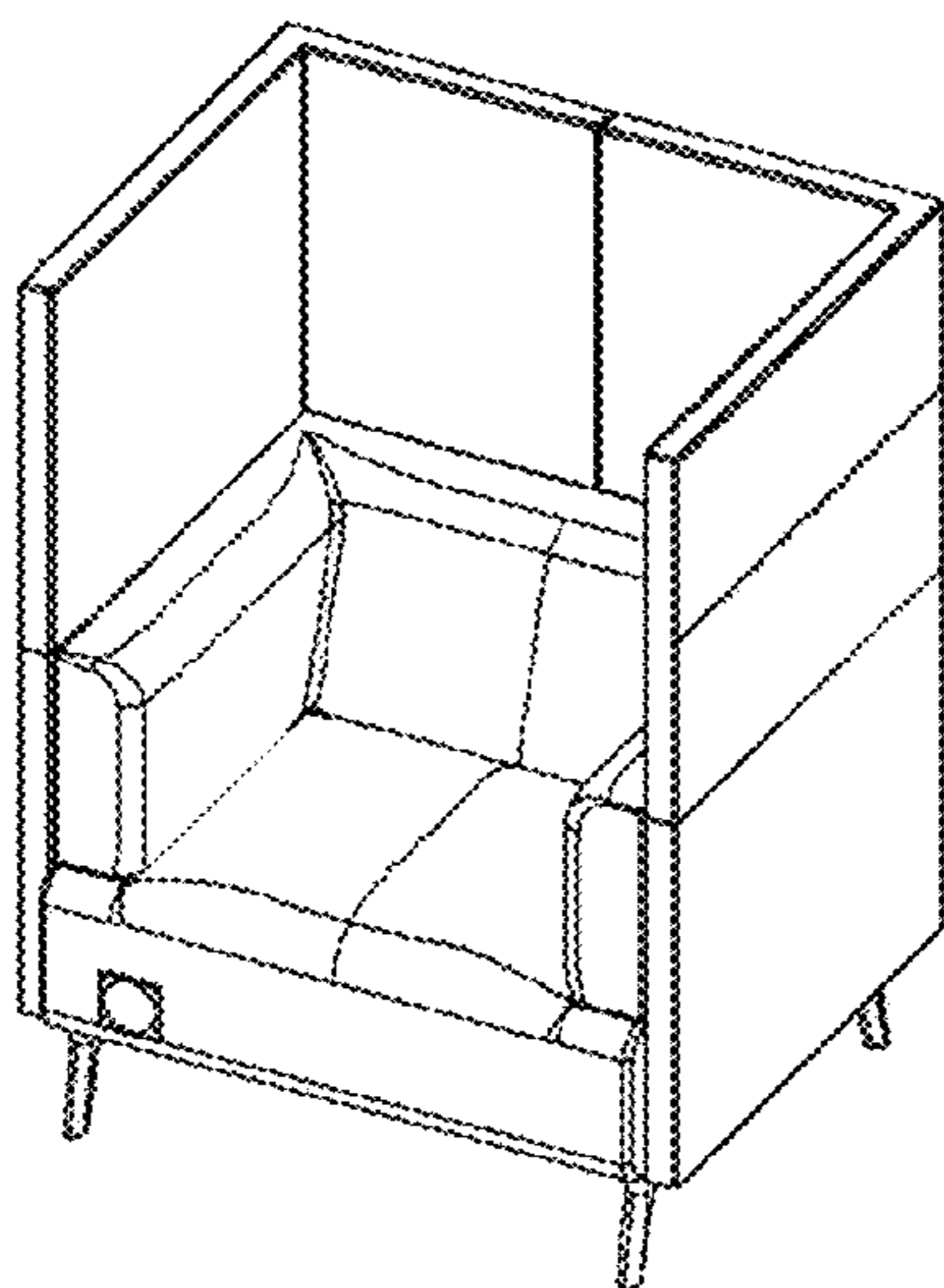
FIG. 18 is a front elevation view thereof,

FIG. 19 is a right side elevation view thereof, the left side elevation view being a mirror image,

FIG. 20 is a top plan view thereof; and,

FIG. 21 is a rear elevation view thereof.

**1 Claim, 19 Drawing Sheets**



(30) Foreign Application Priority Data

Jun. 12, 2014 (EM) ..... 002481788-0004  
Jun. 12, 2014 (EM) ..... 002481788-0005  
Jun. 12, 2014 (EM) ..... 002481788-0006  
Jun. 12, 2014 (EM) ..... 002481788-0007  
Jun. 12, 2014 (EM) ..... 002481788-0008  
Jun. 12, 2014 (EM) ..... 002481788-0009  
Jun. 12, 2014 (EM) ..... 002481788-0010  
Jun. 12, 2014 (EM) ..... 002481788-0011  
Jun. 12, 2014 (EM) ..... 002481788-0012  
Jun. 12, 2014 (EM) ..... 002481788-0013  
Jun. 12, 2014 (EM) ..... 002481788-0014  
Jun. 12, 2014 (EM) ..... 002481788-0015  
Jun. 12, 2014 (EM) ..... 002481788-0016  
Jun. 12, 2014 (EM) ..... 002481788-0017  
Jun. 12, 2014 (EM) ..... 002481788-0018  
Jun. 12, 2014 (EM) ..... 002481788-0019  
Jun. 12, 2014 (EM) ..... 002481788-0020

(58) Field of Classification Search

CPC .... A47C 7/00; A47C 7/62; A47C 7/18; A47C

7/54; A47C 4/00; A47C 4/028; A47C  
4/28; A47C 3/16; A47C 3/04; A47C 3/12;  
A47C 1/02; A47C 1/14

See application file for complete search history.

(56)

References Cited

U.S. PATENT DOCUMENTS

D360,310 S \* 7/1995 Stamberg ..... D6/334  
D360,311 S \* 7/1995 Stamberg ..... D6/334  
D399,661 S \* 10/1998 Smith ..... D6/334  
D422,422 S \* 4/2000 Black ..... D6/334  
D560,919 S \* 2/2008 Simons, Jr. .... D6/381  
D698,177 S \* 1/2014 Nguyen ..... D6/381  
D698,178 S \* 1/2014 Nguyen ..... D6/381  
D698,179 S \* 1/2014 Nguyen ..... D6/381  
D698,564 S \* 2/2014 Behar ..... D6/381  
D740,039 S \* 10/2015 Bouroullec ..... D6/335  
D758,777 S \* 6/2016 McKenna ..... D6/717  
D786,571 S \* 5/2017 Webb ..... D6/337  
D787,206 S \* 5/2017 Webb ..... D6/335  
D795,604 S \* 8/2017 Webb ..... D6/381

\* cited by examiner

FIG. 1

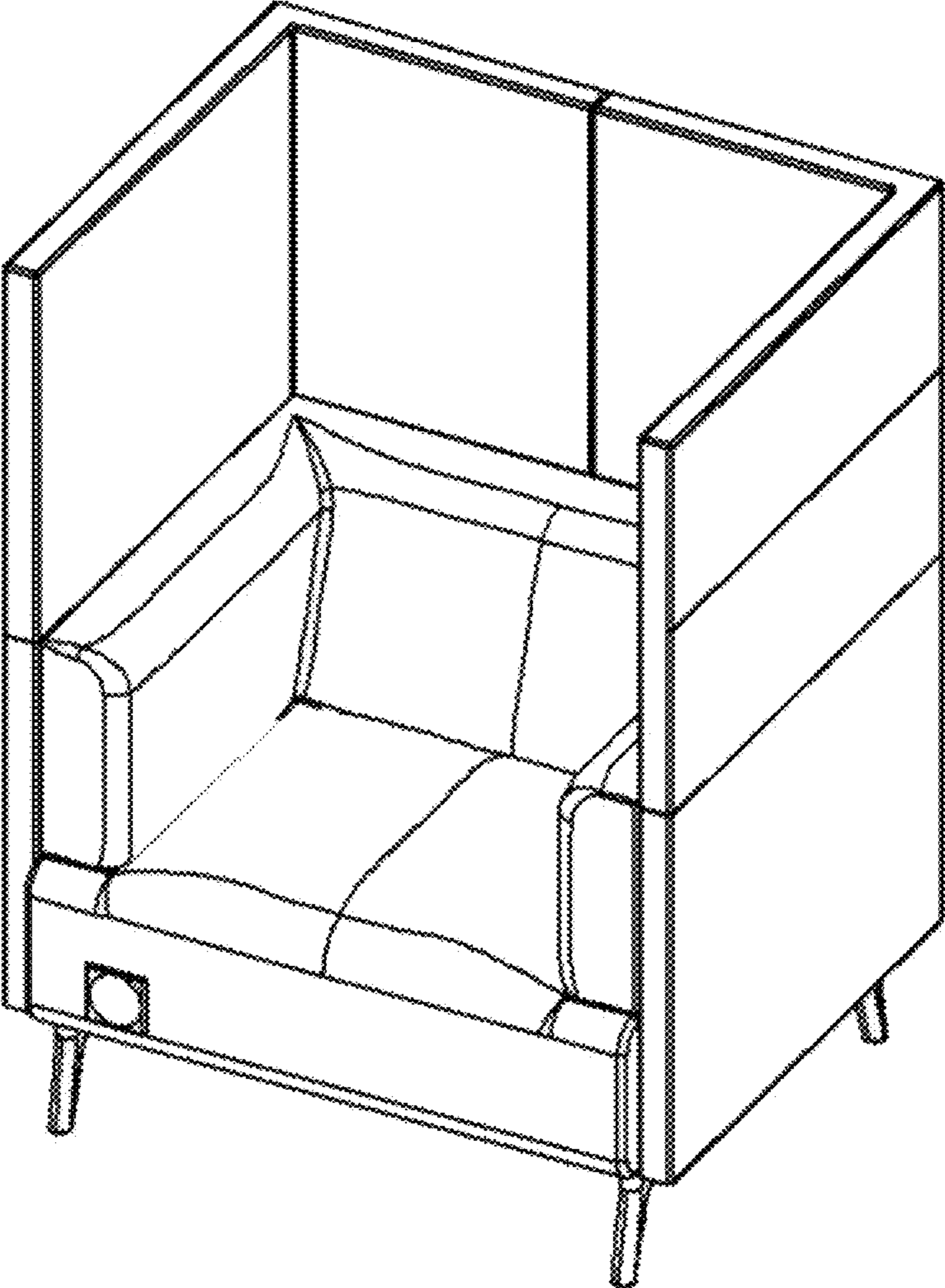


FIG. 2

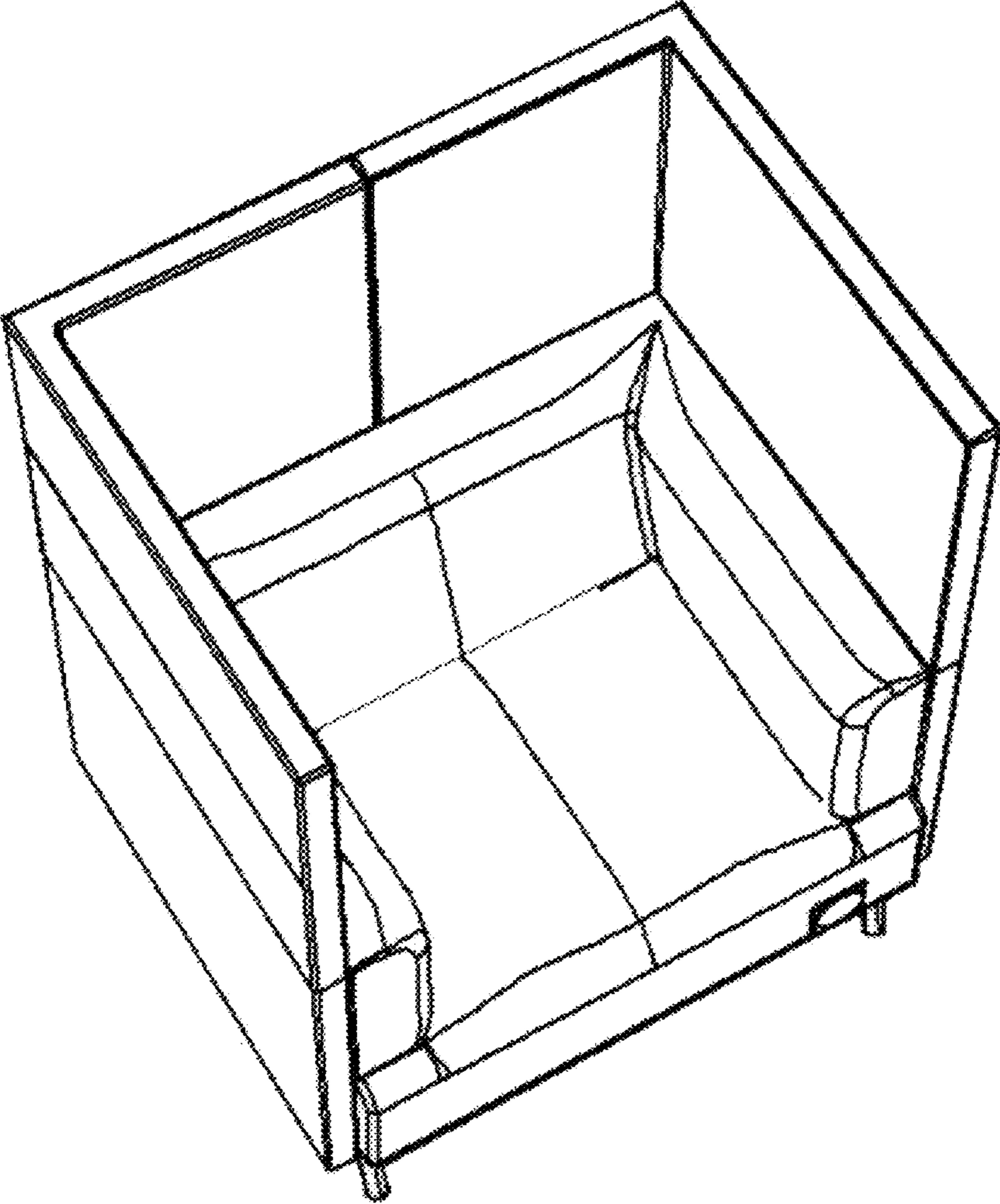


FIG. 3

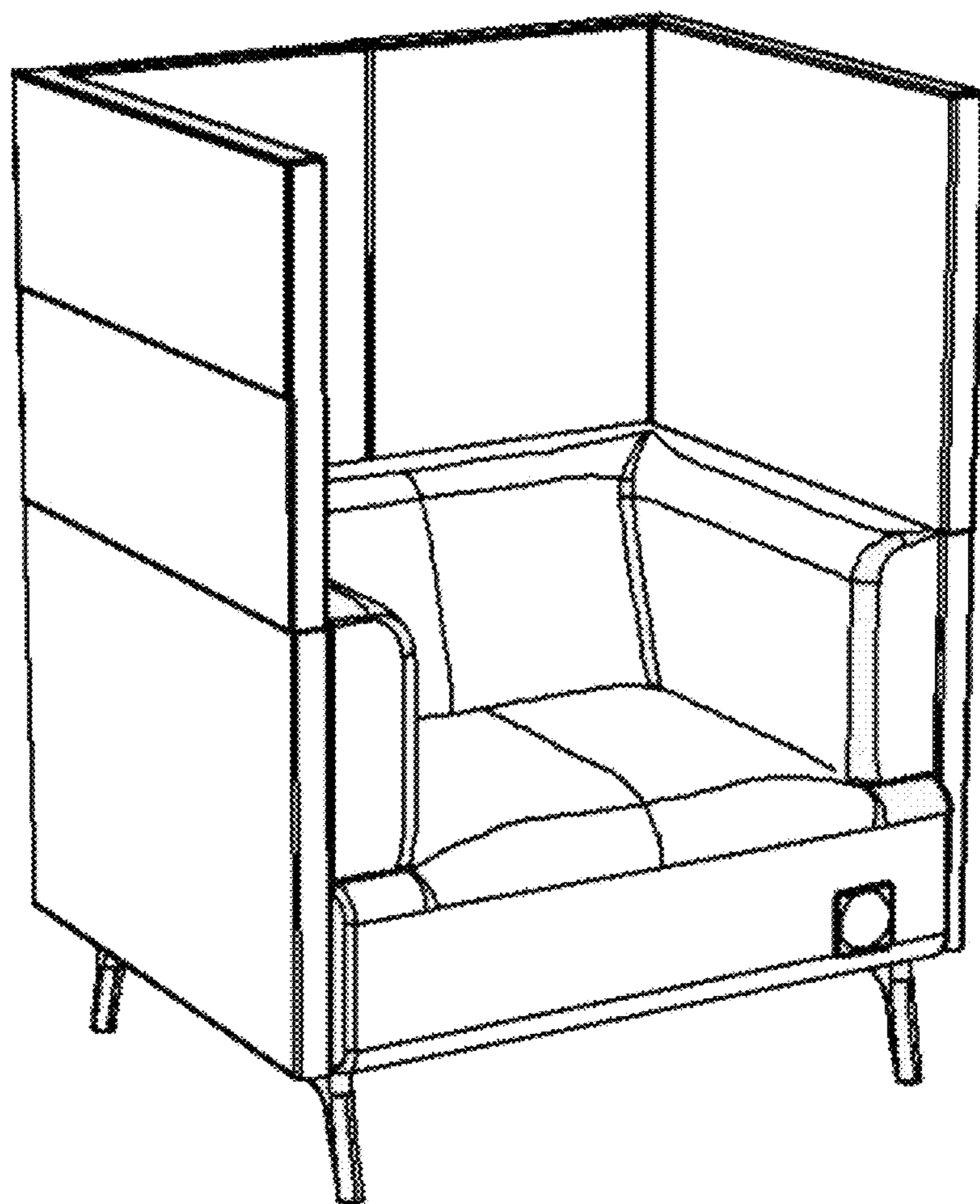


FIG. 4

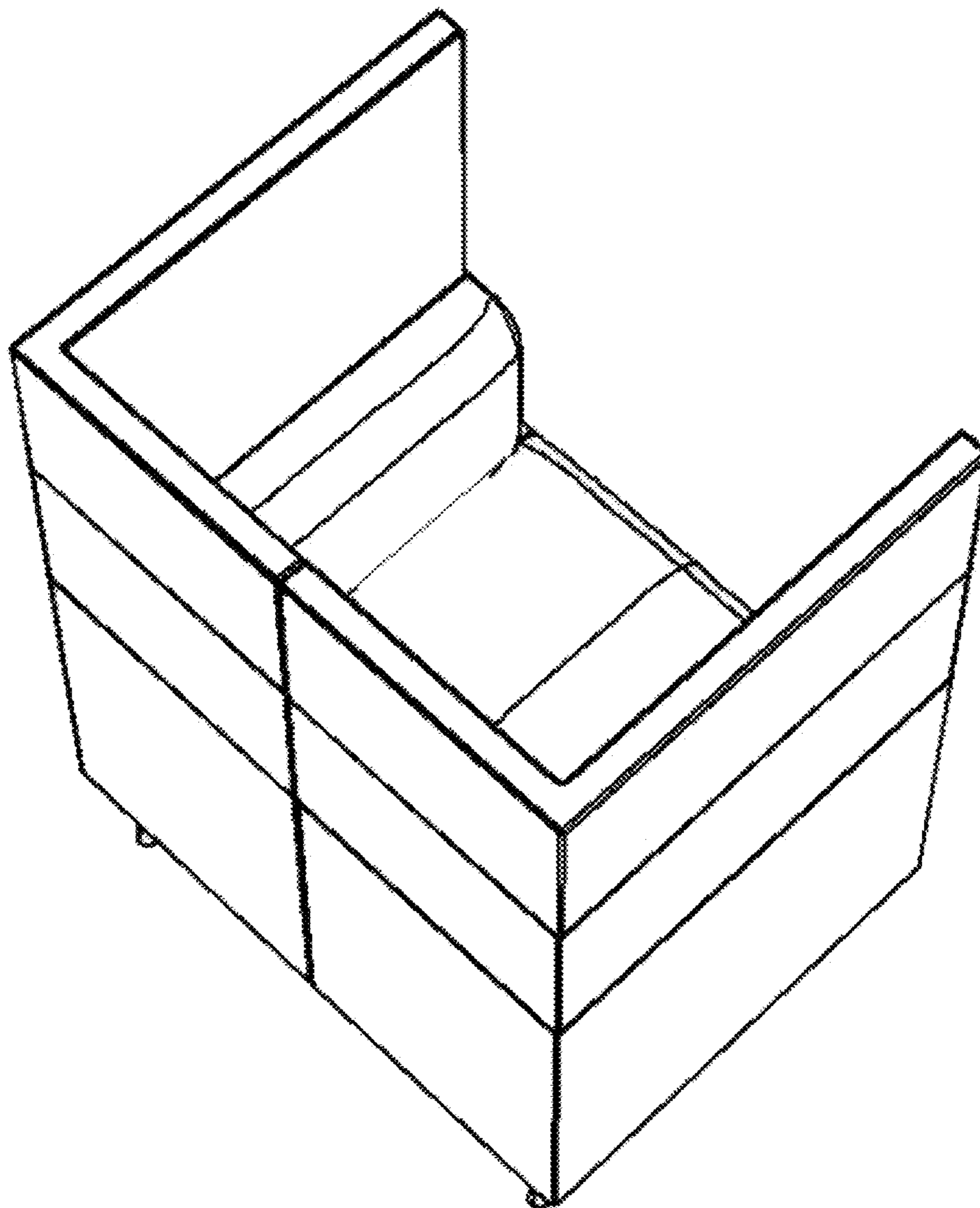


FIG. 5

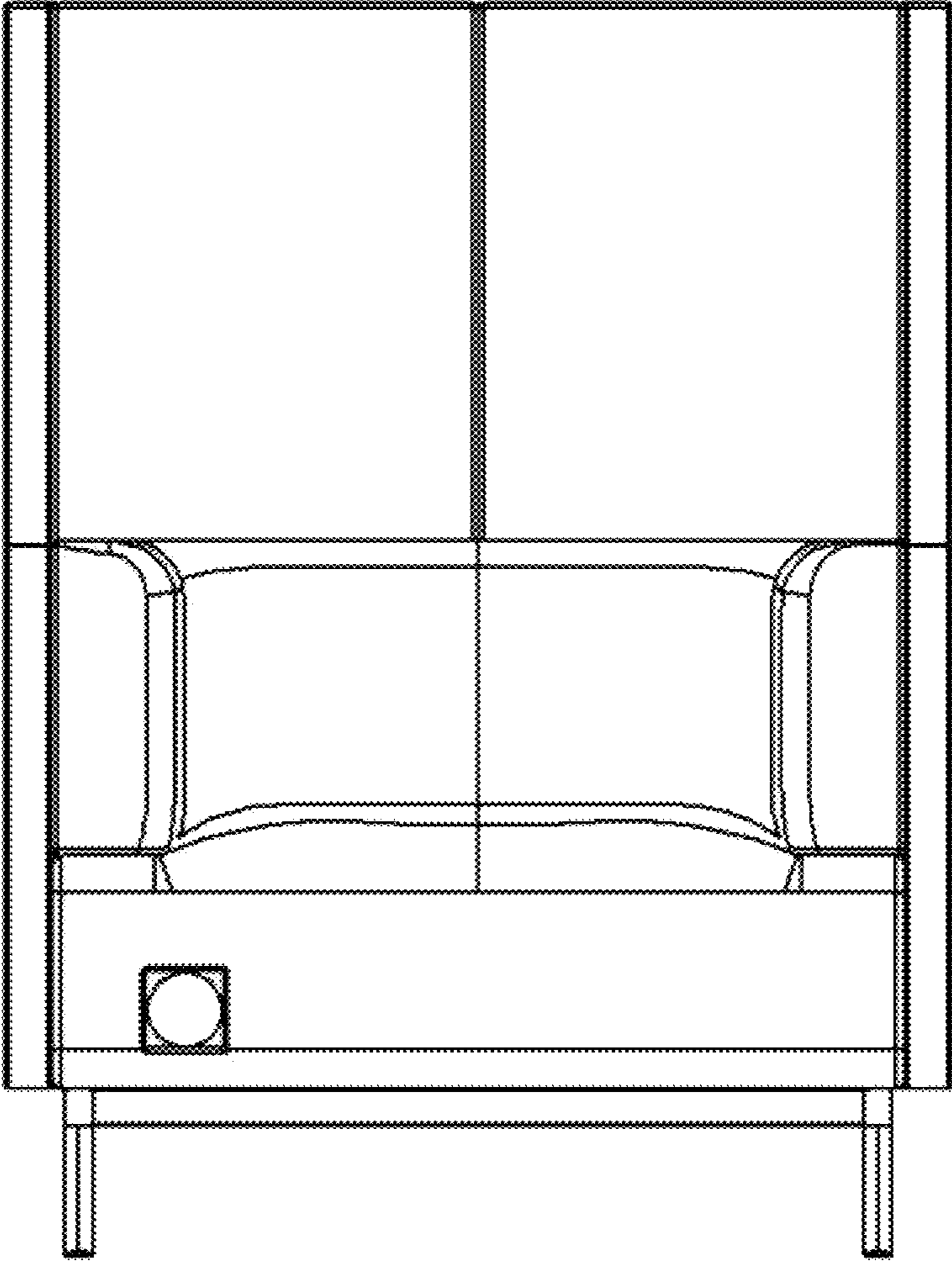


FIG. 6

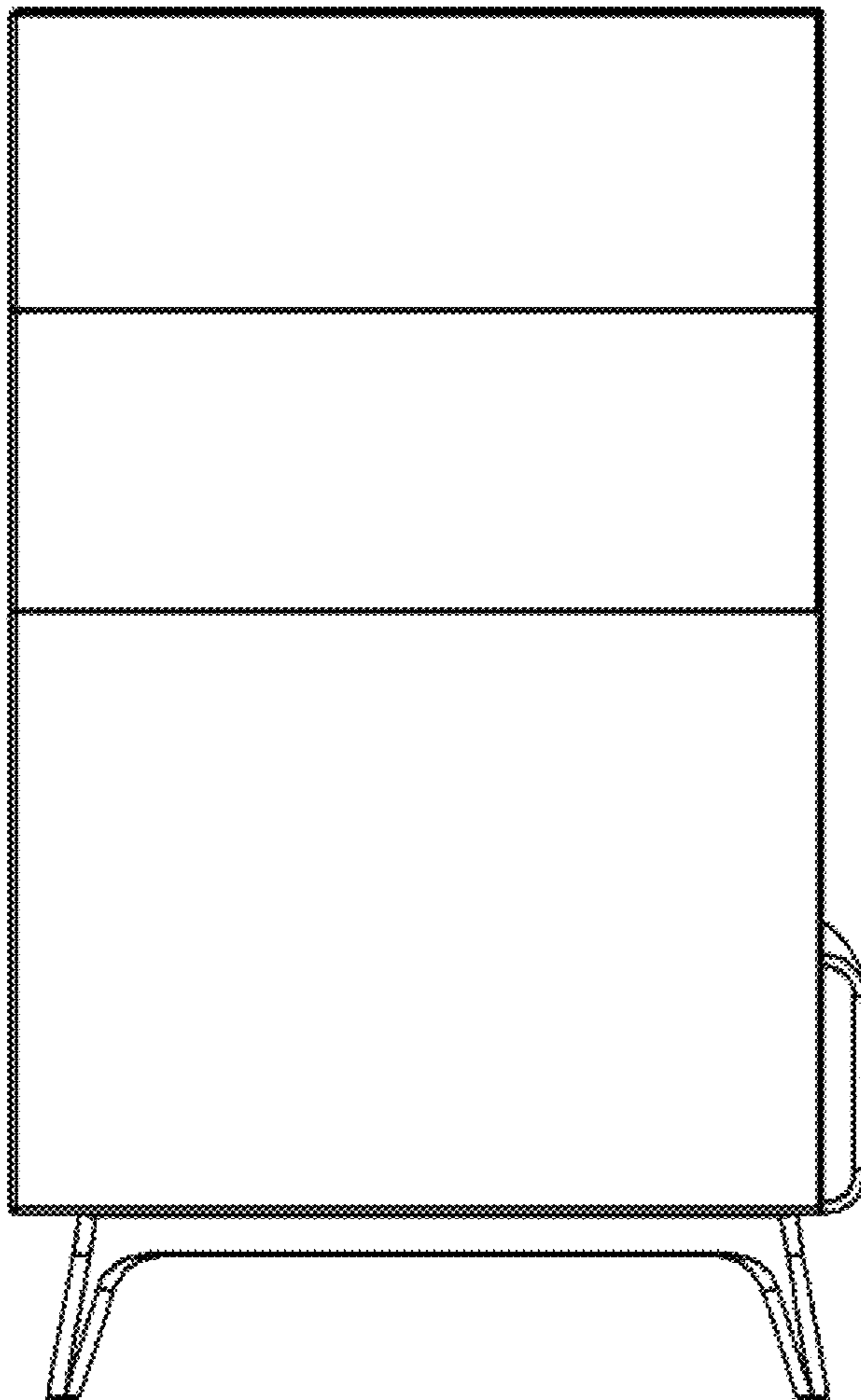




FIG. 7

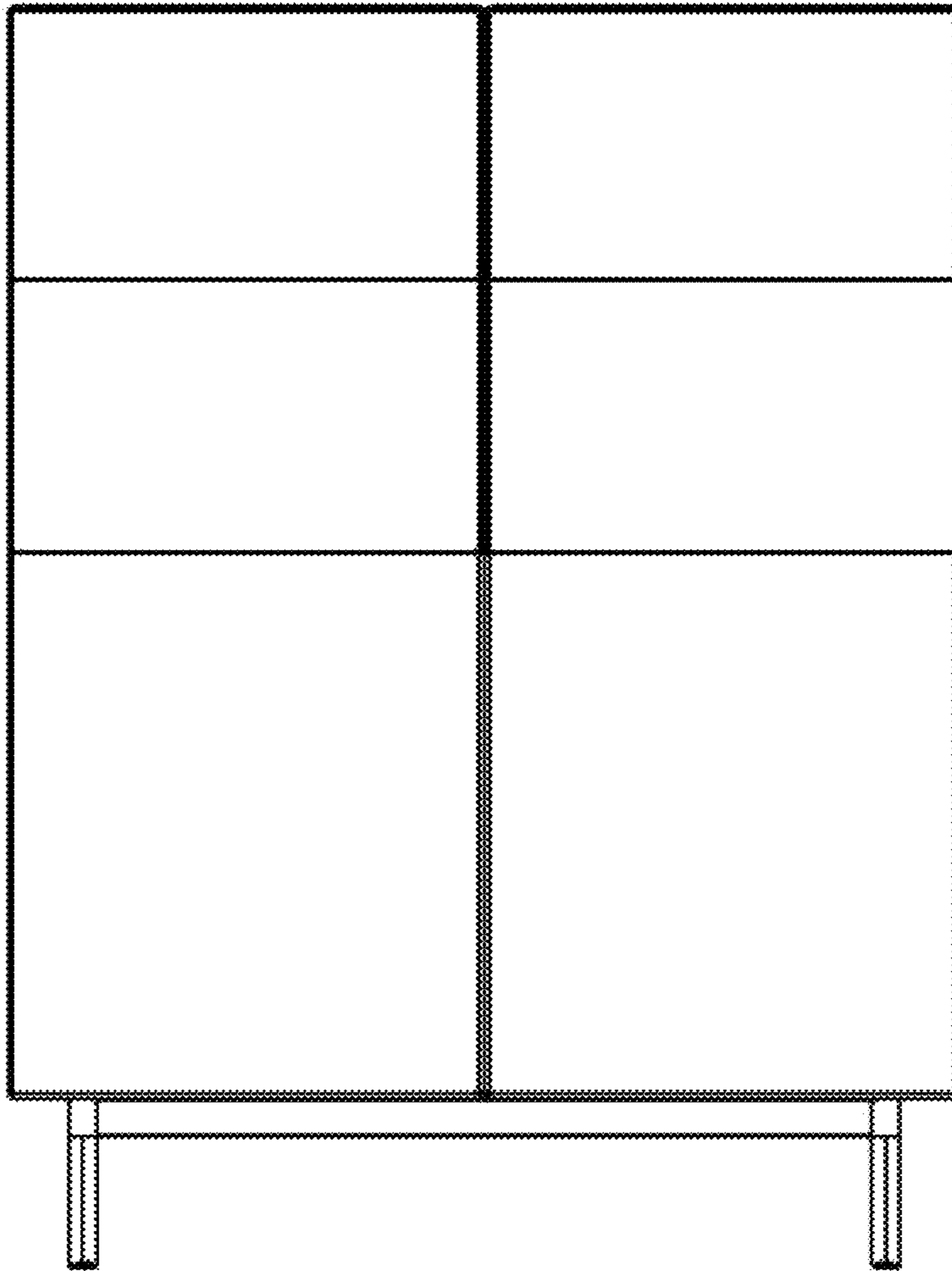


FIG. 8

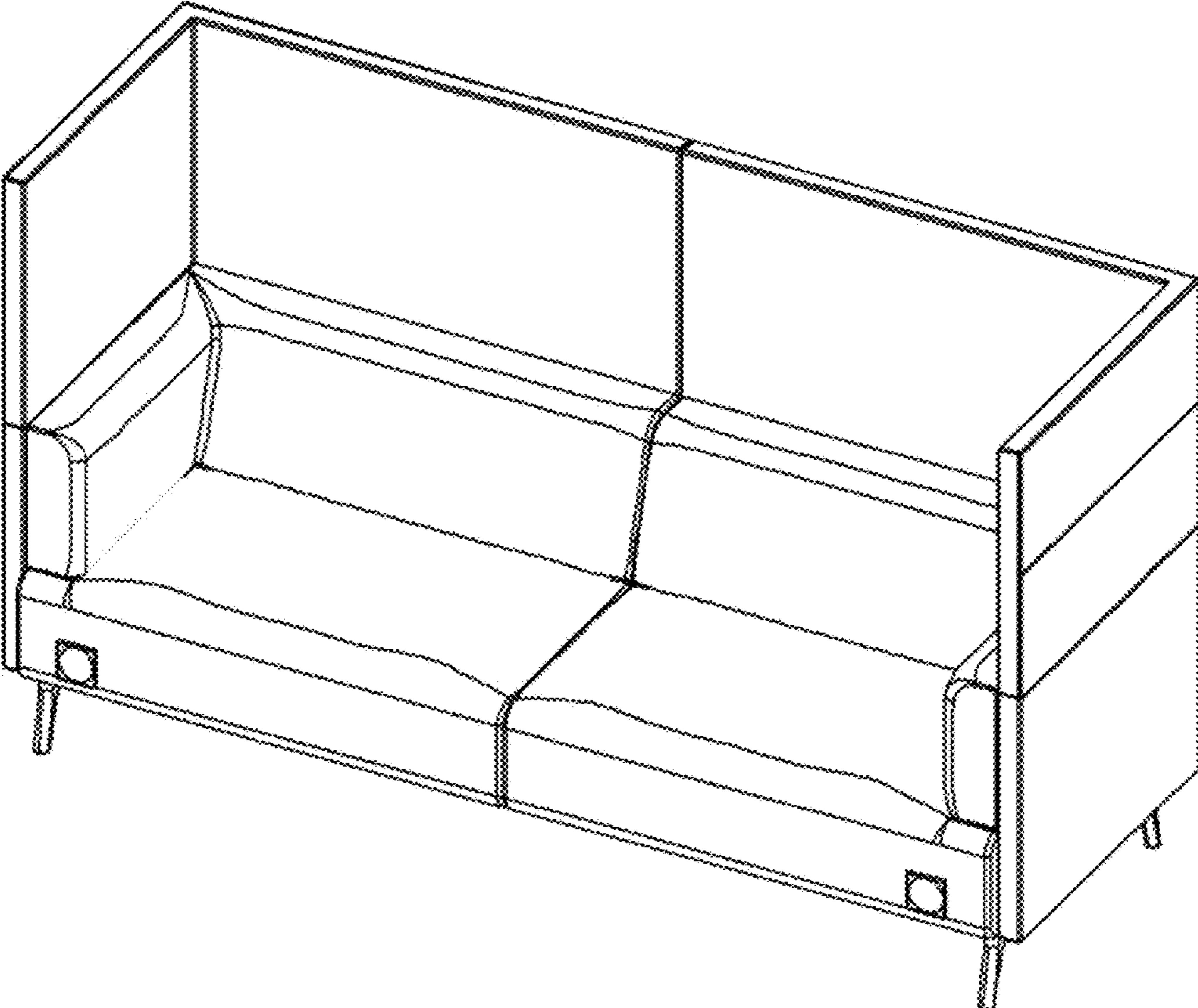


FIG. 9

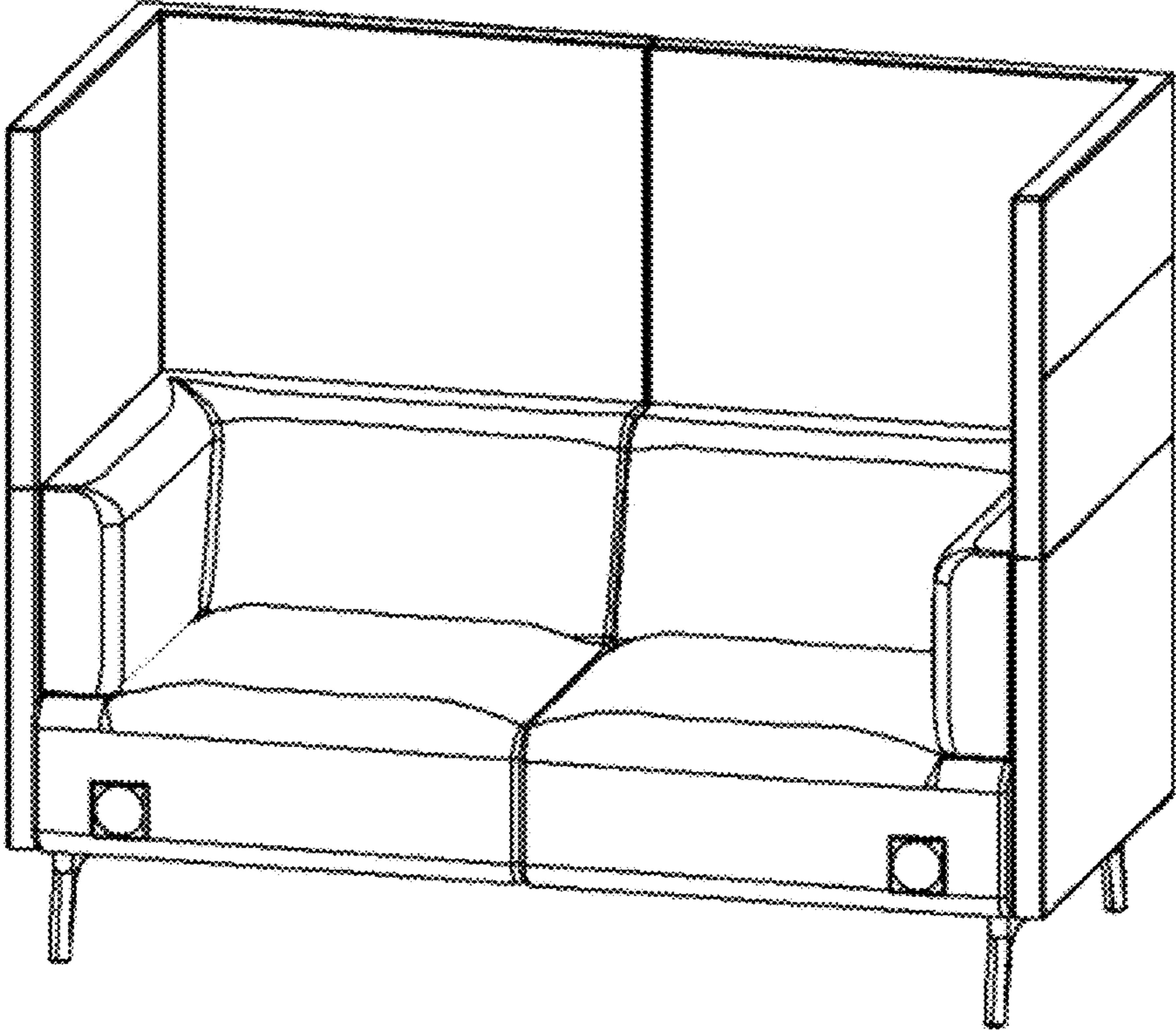


FIG. 10

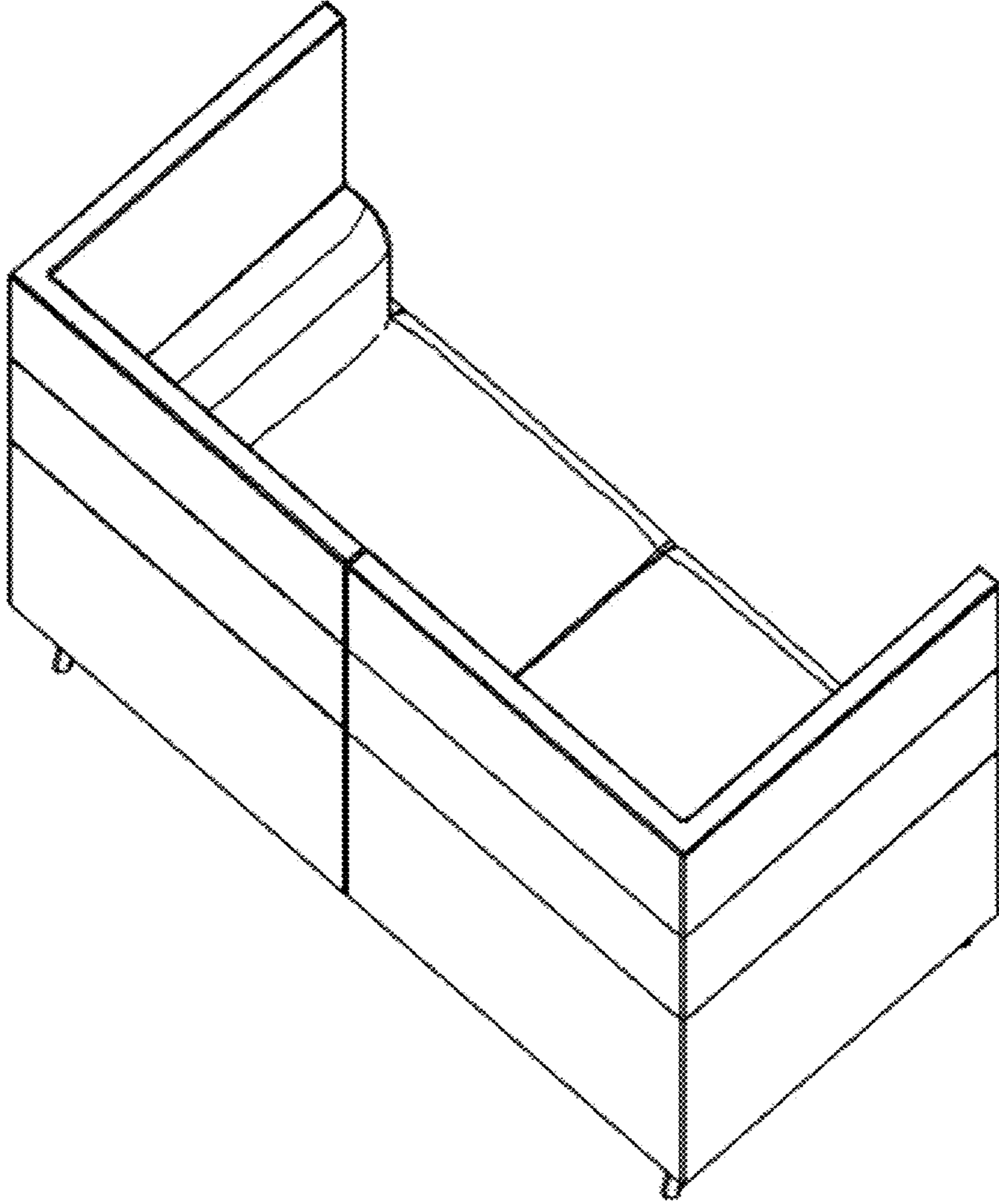


FIG. 11

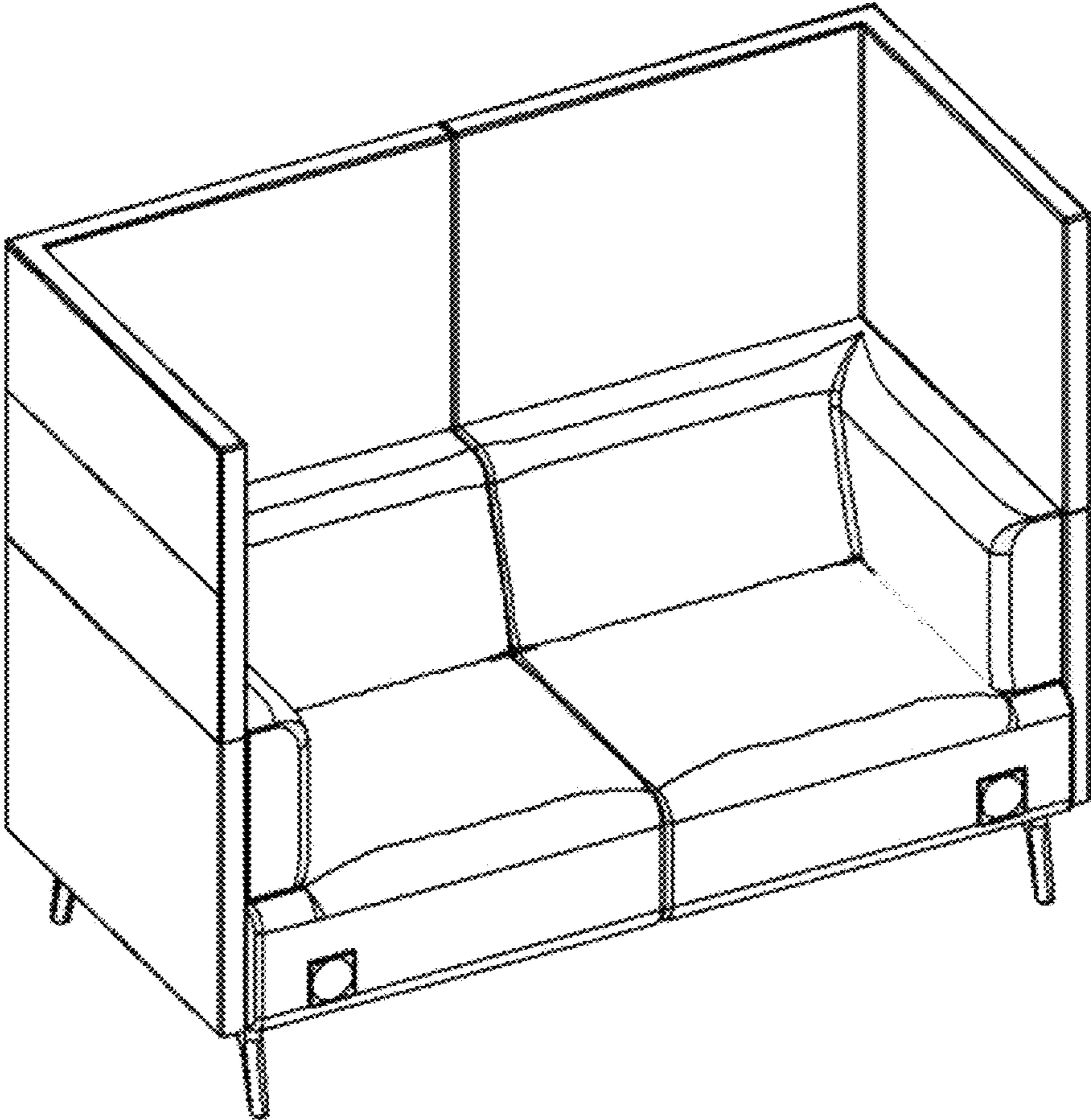


FIG. 12

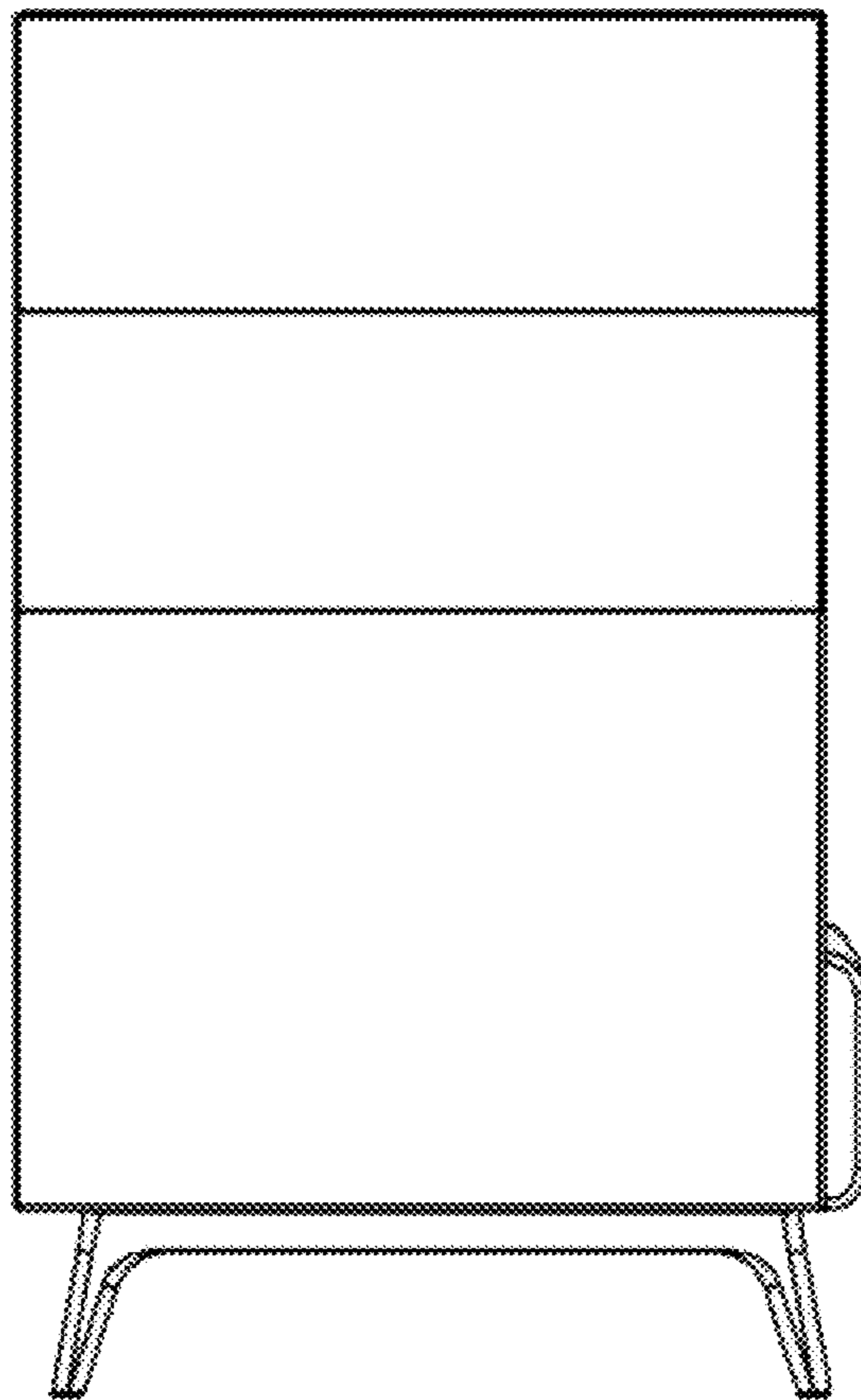


FIG. 13

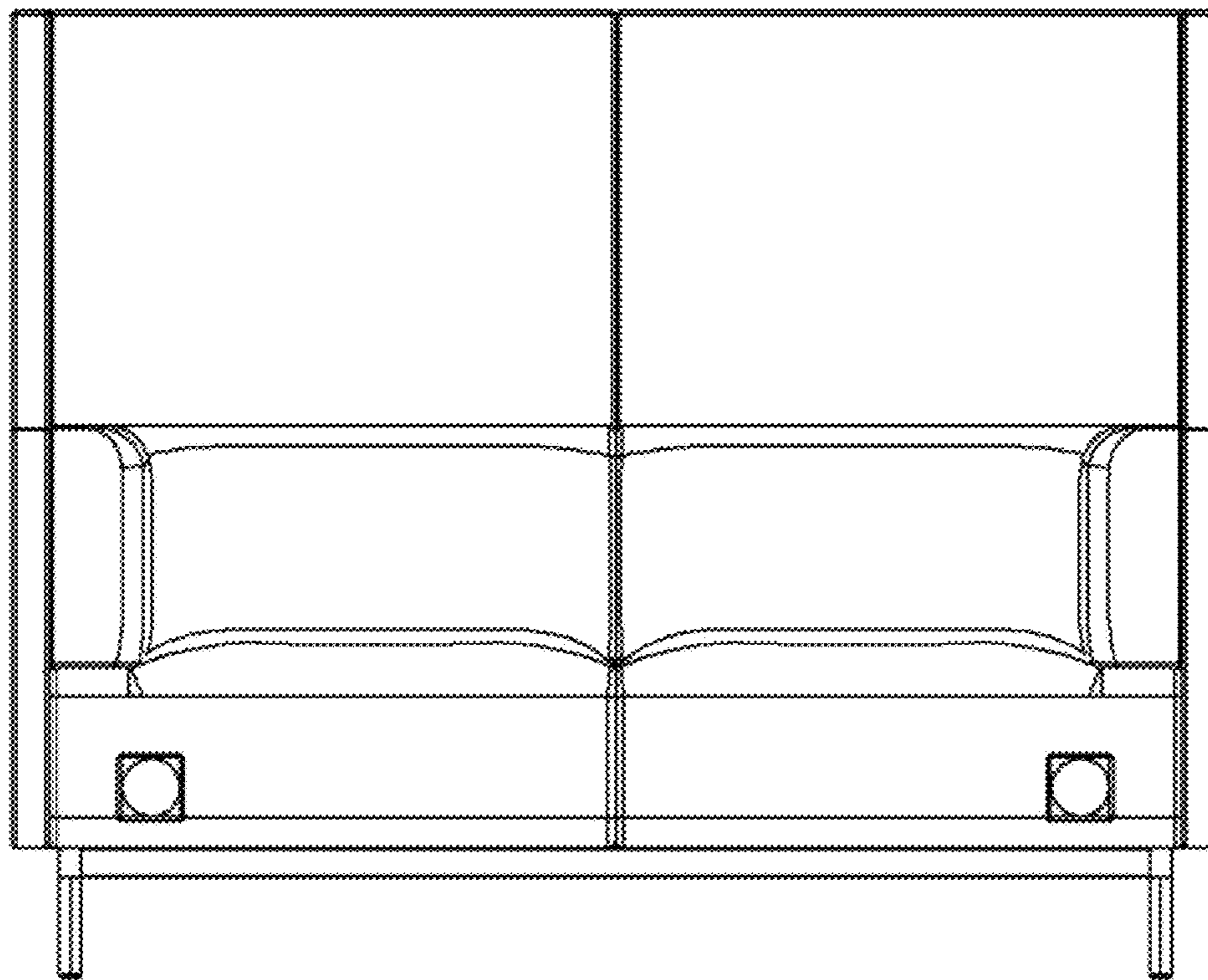


FIG. 14

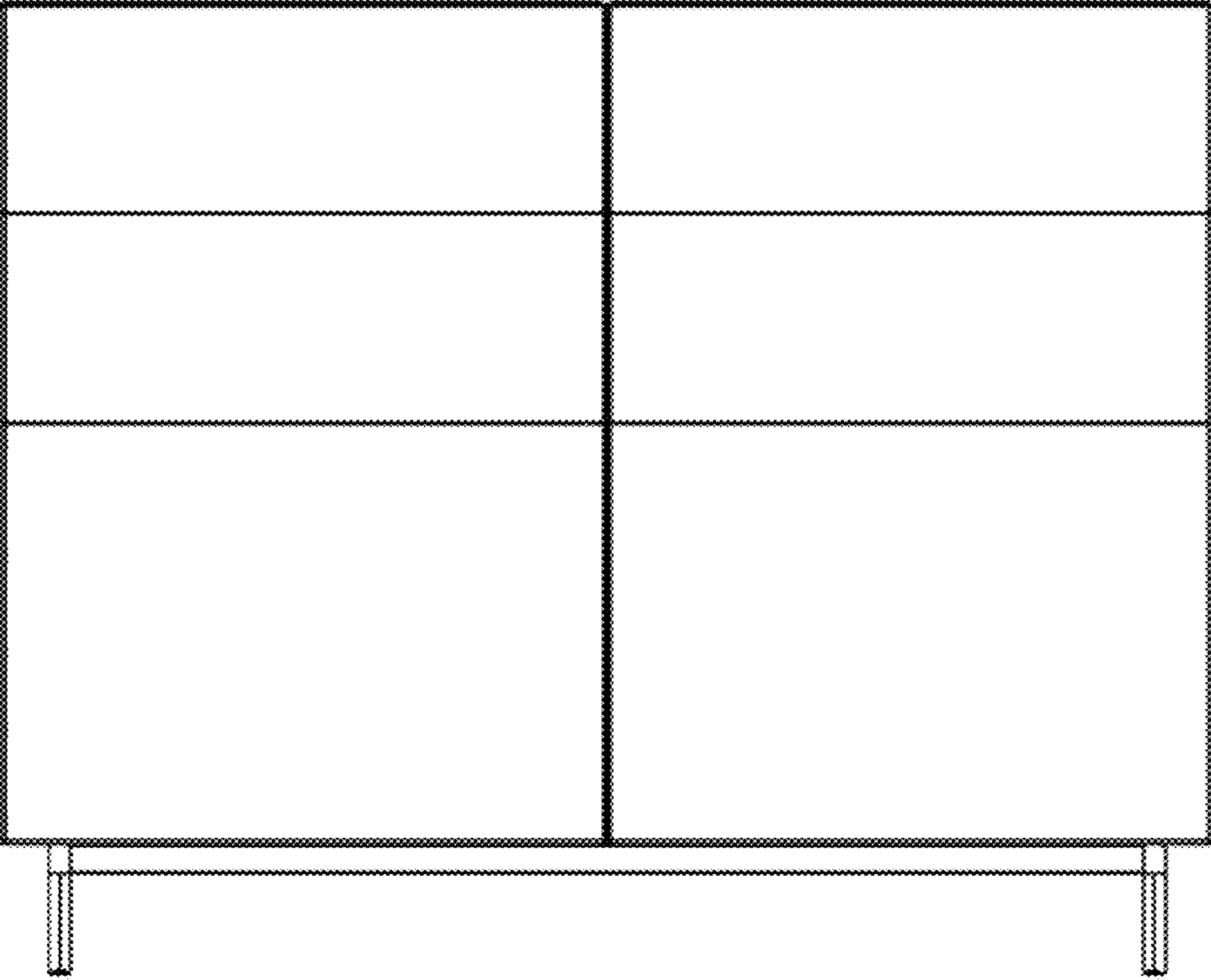




FIG. 15

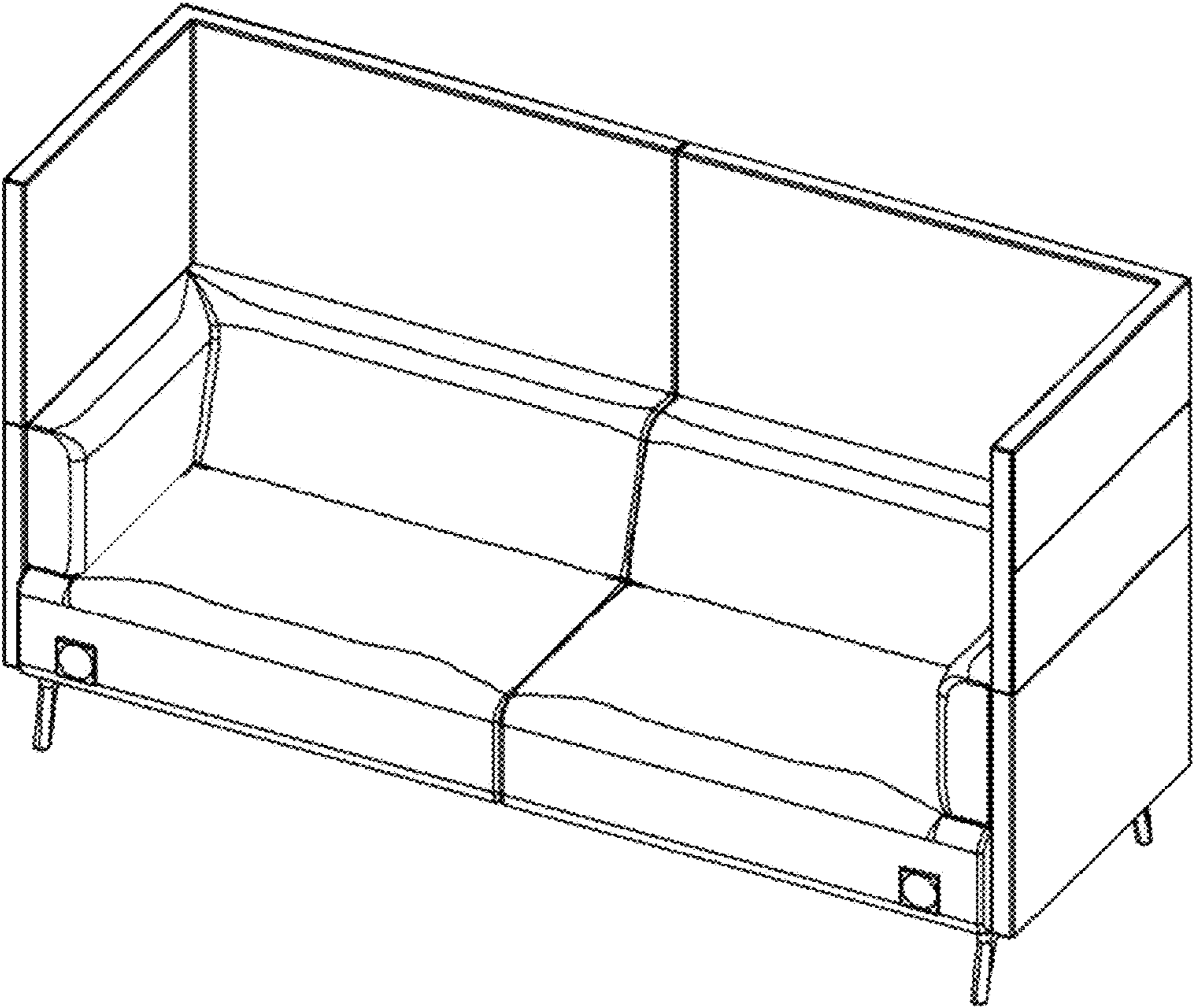


FIG. 16

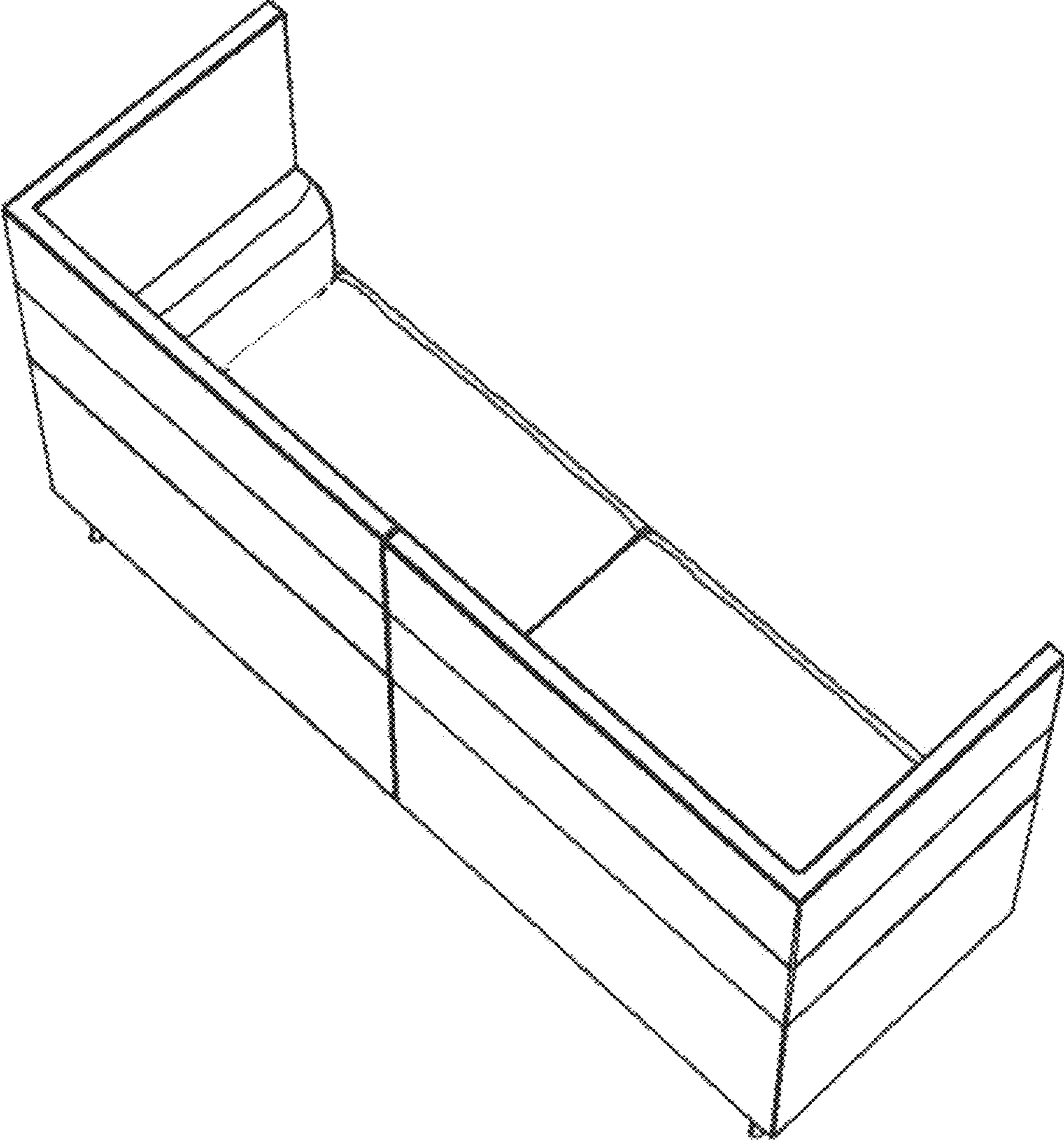


FIG. 17

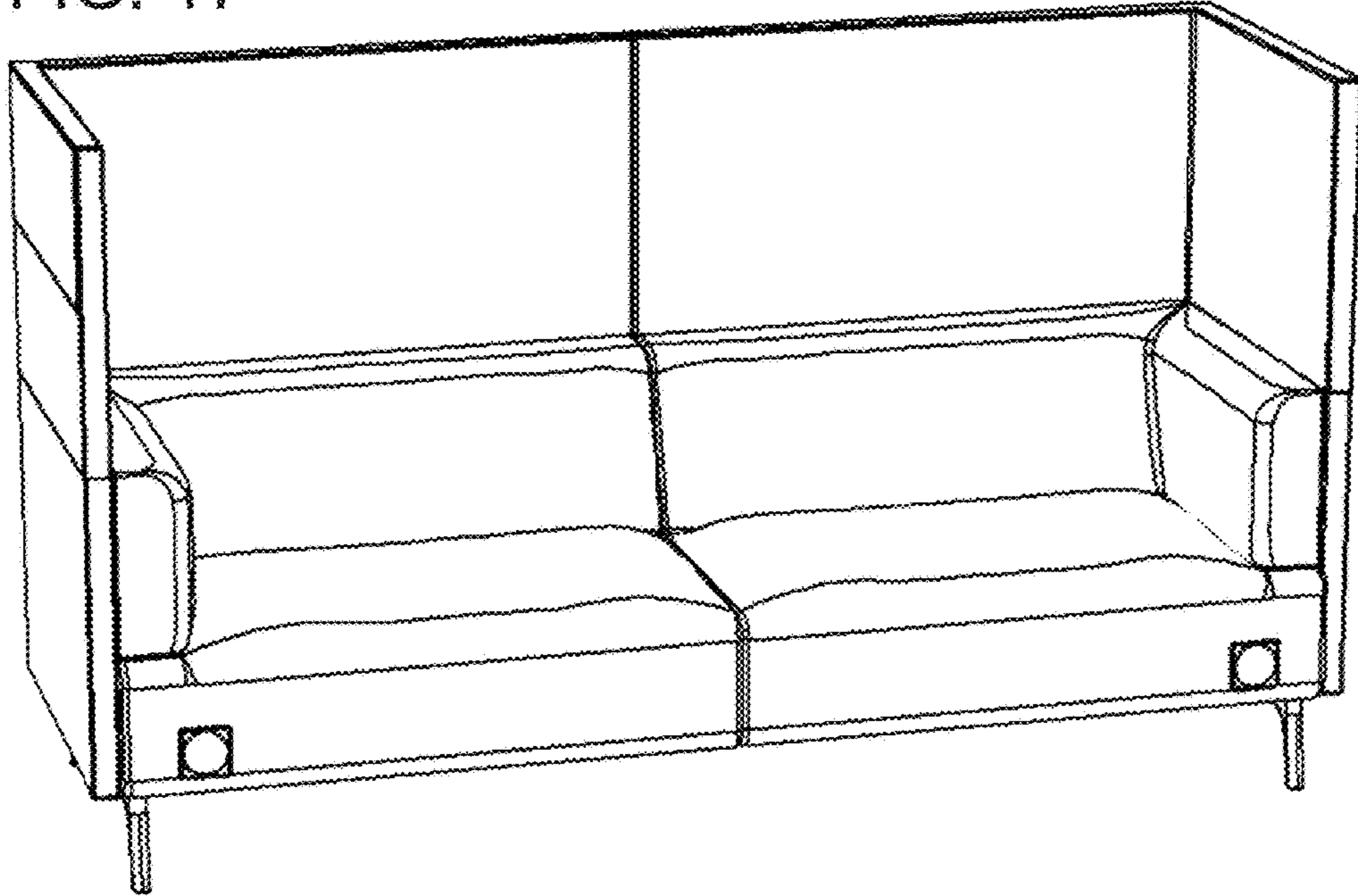


FIG. 18

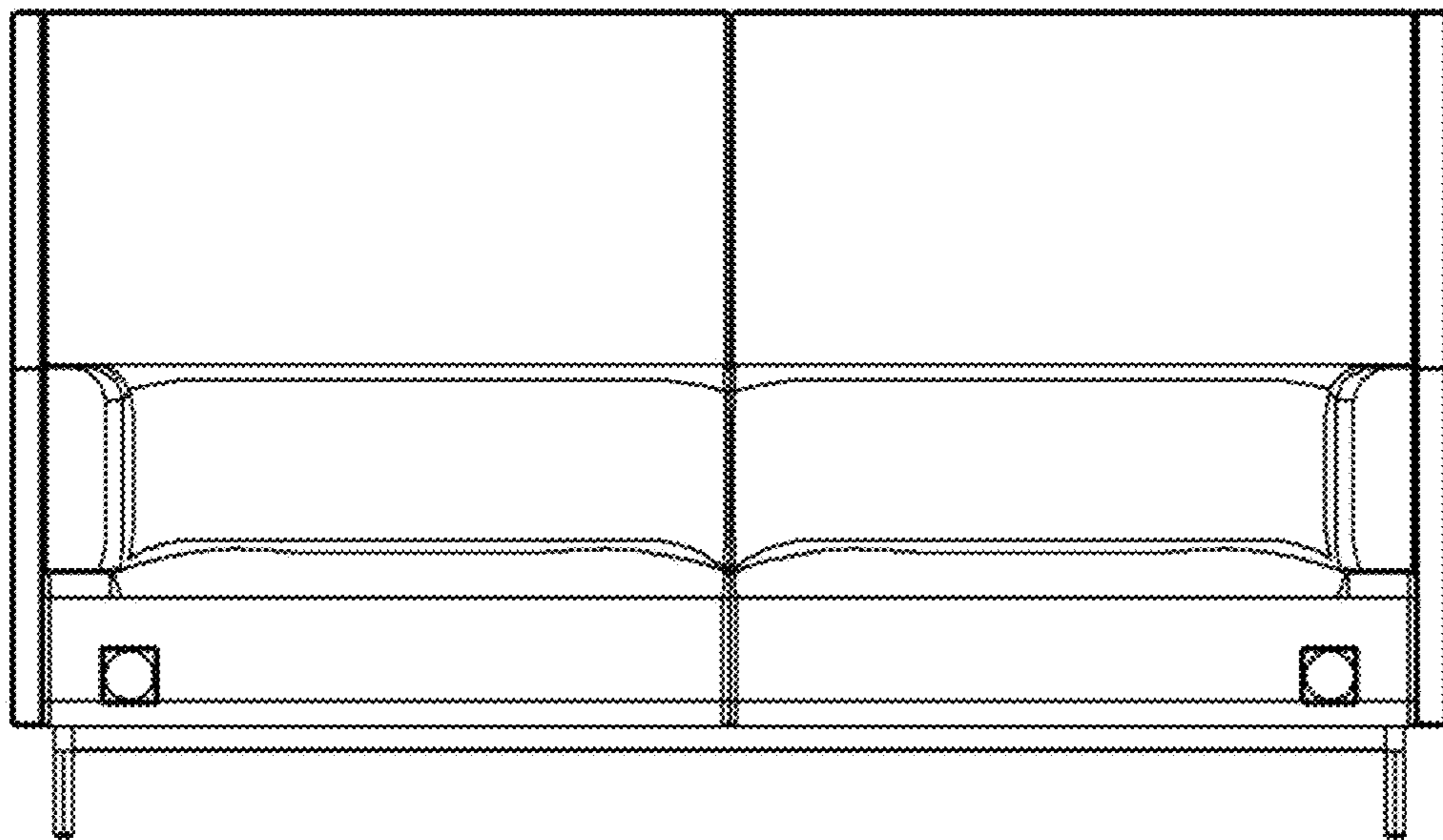


FIG. 19

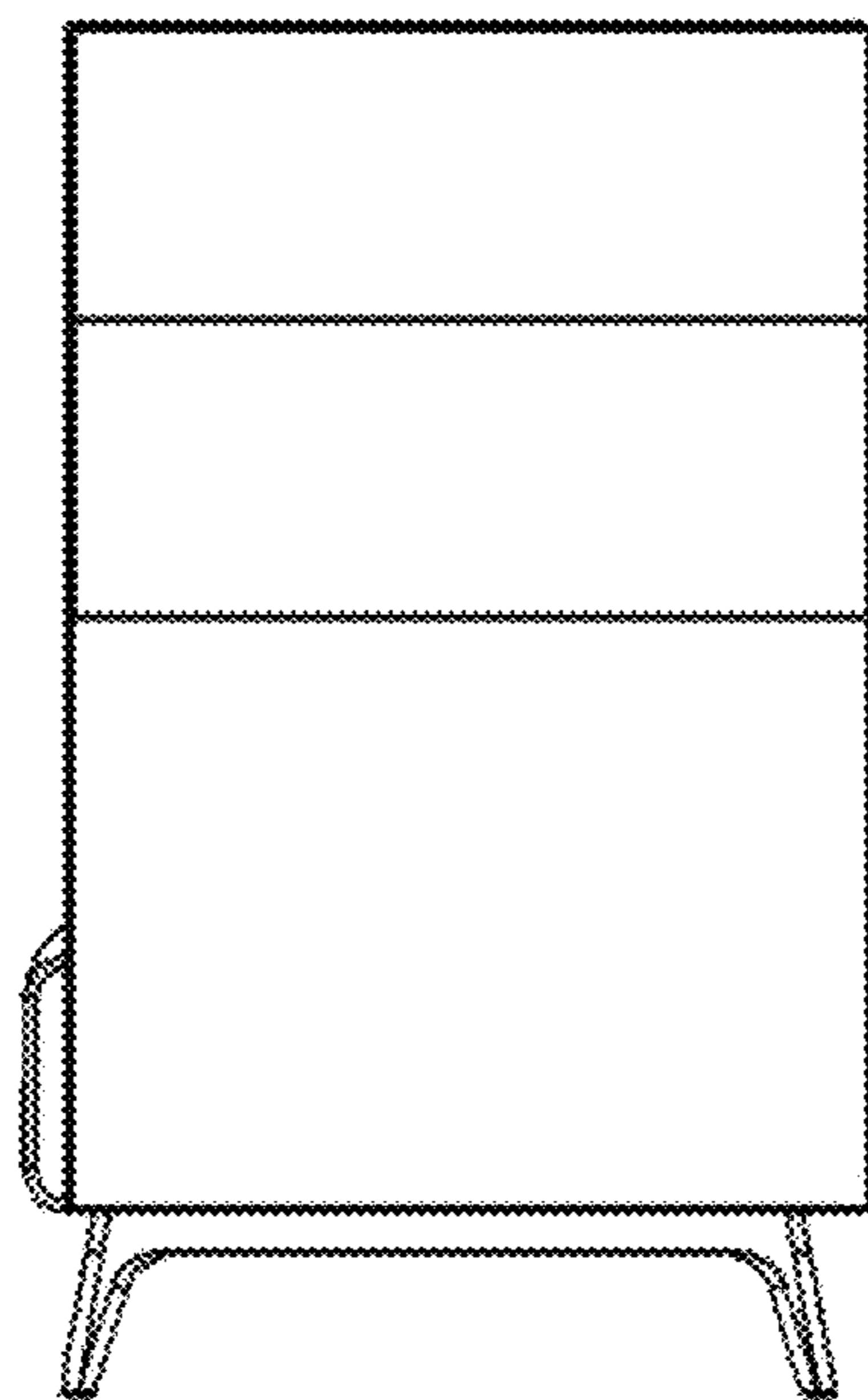


FIG. 20

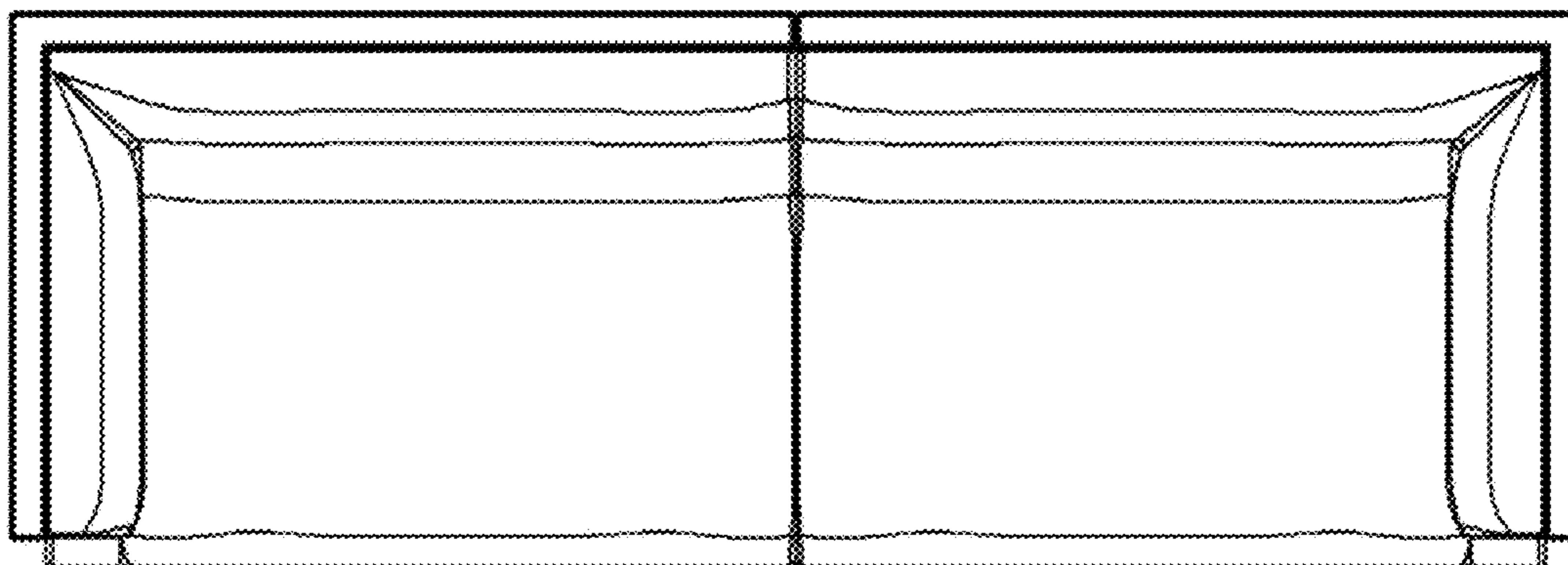


FIG. 21

