



US00D807649S

(12) **United States Design Patent** (10) **Patent No.:** **US D807,649 S**
Zadro (45) **Date of Patent:** **** Jan. 16, 2018**

(54) **TRI-FOLD VANITY MIRROR**

(74) *Attorney, Agent, or Firm* — William L. Chapin

(71) Applicant: **Zlatko Zadro**, Huntington Beach, CA
(US)

(57) **CLAIM**

The ornamental design for a tri-fold vanity mirror, as shown and described.

(72) Inventor: **Zlatko Zadro**, Huntington Beach, CA
(US)

DESCRIPTION

(**) Term: **15 Years**

FIG. 1 is a front perspective view of a tri-fold vanity mirror according to the claimed design.

(21) Appl. No.: **29/528,029**

FIG. 2 is a right side elevation view thereof, the left side elevation view being a mirror image of the right side elevation view.

(22) Filed: **May 25, 2015**

FIG. 3 is a front elevation view thereof.

(51) **LOC (11) Cl.** **06-07**

FIG. 4 is a rear elevation view thereof.

(52) **U.S. Cl.**

FIG. 5 is a top plan view thereof.

USPC **D6/312**

FIG. 6 is a bottom plan view thereof.

(58) **Field of Classification Search**

FIG. 7 is a front perspective view of the mirror of FIGS. 1-6, showing the mirror in a first alternate position.

USPC D6/300-312; 362/141, 413; 359/854,
359/860

FIG. 8 is a right side elevation view thereof, the left side elevation view being a mirror image of the right side elevation view.

CPC A45D 42/18; A45D 42/10; A47G 1/00;
A47G 1/04

FIG. 9 is a front elevation view thereof.

See application file for complete search history.

FIG. 10 is a rear elevation view thereof.

(56) **References Cited**

FIG. 11 is a top plan view thereof.

U.S. PATENT DOCUMENTS

FIG. 12 is a bottom plan view thereof.

66,168 A * 6/1867 Ober A45D 42/18
359/860

FIG. 13 is a front perspective view of the mirror of FIGS. 1-6, in a second alternate position.

112,474 A * 3/1871 Mason A45D 42/18
359/860

FIG. 14 is a right side elevation view thereof, the left side elevation view being a mirror image of the right side elevation view.

(Continued)

FIG. 15 is a front elevation view thereof.

OTHER PUBLICATIONS

Jerdon Tri-Fold Lighted Mirror, posted on Amazon.com, posting date not given, [online], [site visited Aug. 11, 2016]. Available from internet, <URL: <https://www.amazon.com/Jerdon-Tri-Fold-Two-Sided-Lighted-Magnification/dp/B0000AFUT3>>.*

FIG. 16 is a rear elevation view thereof.

(Continued)

FIG. 17 is a top plan view thereof; and,

Primary Examiner — George D. Kirschbaum

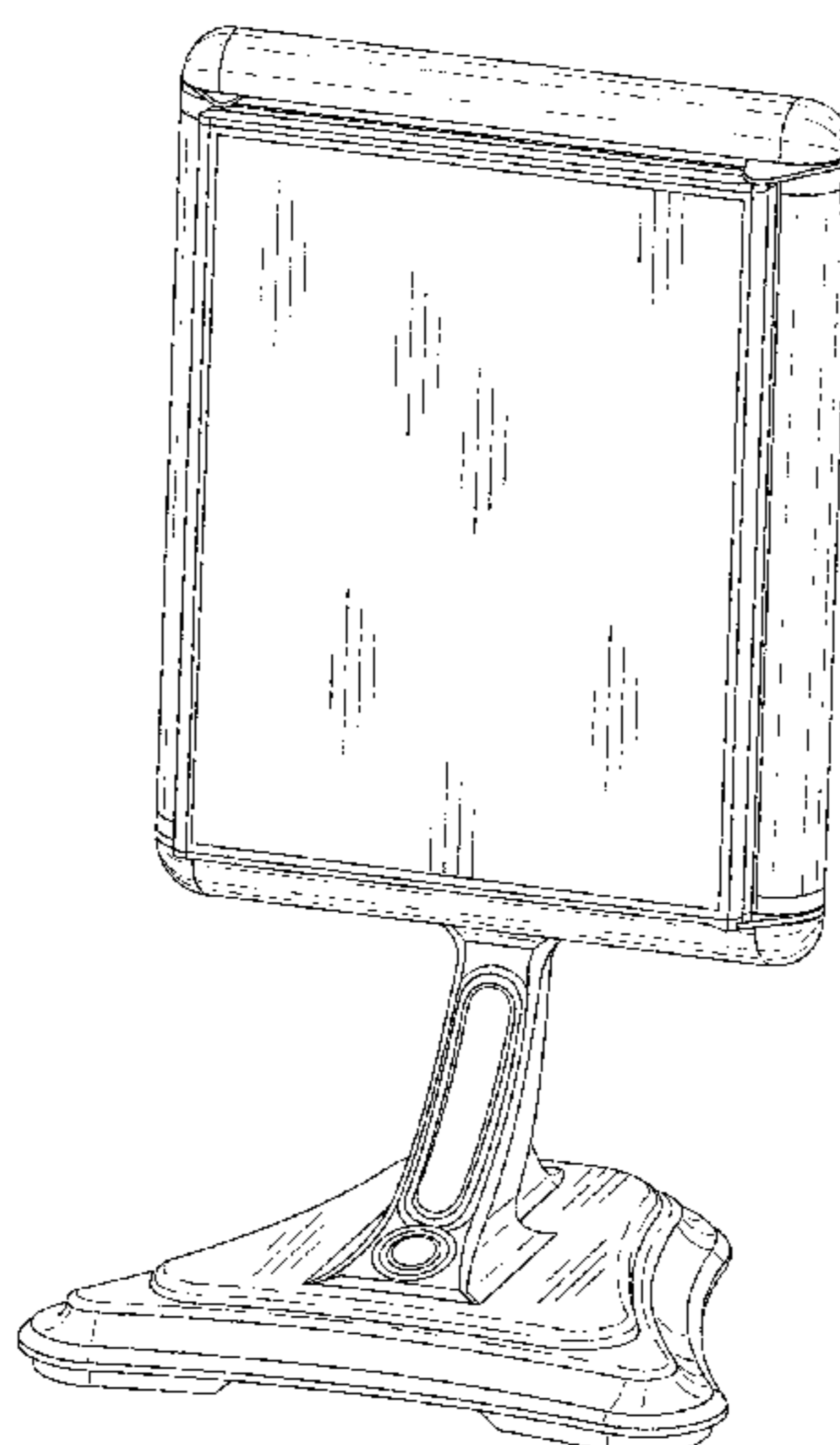
FIG. 18 is a bottom plan view thereof.

Assistant Examiner — Maria J Edwards

The broken lines showing images in the tri-fold vanity mirror are included for the purpose of illustrating environmental subject matter and form no part of the claimed design.

The areas of the tri-fold vanity mirror bounded by broken lines form no part of the claimed design.

1 Claim, 15 Drawing Sheets



(56)

References Cited

U.S. PATENT DOCUMENTS

272,297 A * 2/1883 McMurray B60R 1/081
359/854
369,740 A * 9/1887 Saltar, Jr. B60R 1/081
359/854
381,452 A * 4/1888 Wiederer B60R 1/081
359/854
518,382 A * 4/1894 Wiederer A45D 42/18
359/854
1,088,764 A * 3/1914 Booth B60R 1/081
359/854
1,451,236 A * 4/1923 Stanfield A45D 42/18
248/466
2,140,069 A * 12/1938 Bostwick A45D 42/00
292/256.73
2,201,251 A * 5/1940 Van Patten A45D 42/10
359/854
2,489,506 A * 11/1949 Seutin A45D 42/18
359/854
2,649,028 A * 8/1953 Lenta B60R 1/081
359/854
2,763,186 A * 9/1956 Barlow A47G 1/04
160/220
D182,390 S * 3/1958 Snider D28/64.3
4,487,479 A * 12/1984 Tolomeo, Sr. G02B 7/1824
359/854
4,775,231 A * 10/1988 Granzow G02B 7/1824
359/854
D305,837 S * 2/1990 Bowman D19/91
D330,807 S * 11/1992 Granzow D6/301
D345,655 S * 4/1994 Freebairn D6/308

D385,717 S * 11/1997 Howell D19/91
6,347,876 B1 * 2/2002 Burton A45D 42/18
362/141
D462,181 S * 9/2002 Vandenbussche D6/310
D465,490 S * 11/2002 Wei D14/374
D532,981 S * 12/2006 Zadro D6/309
D546,564 S * 7/2007 Lo D6/300
D552,851 S * 10/2007 Abrahamian D6/301
7,347,573 B1 * 3/2008 Isler A45D 42/10
359/854
D589,267 S * 3/2009 Pitot D6/308
D639,077 S * 6/2011 DeBretton Gordon D6/310
D668,067 S * 10/2012 Frisch D6/308
8,393,749 B1 * 3/2013 Daicos F16M 11/2014
248/466
D727,630 S * 4/2015 Zadro D6/310
9,347,660 B1 * 5/2016 Zadro A45D 42/08
2010/0118422 A1 * 5/2010 Holacka A47G 1/02
359/854
2013/0027913 A1 * 1/2013 Frisch A45D 42/10
362/141
2016/0045015 A1 * 2/2016 Baldwin A45D 42/18
359/854

OTHER PUBLICATIONS

Minisun Fold Out Mirror, posted on [valuelights.co.uk](http://www.valuelights.co.uk), posting date not given, [online], [site visited Aug. 11, 2016]. Available from internet, <URL: <http://www.valuelights.co.uk/modern-compact-and-portable-tri-fold-out-white-battery-operated-love-heart-led-make-up-cosmetic-vanity-mirror-light.html>>.*

* cited by examiner

Fig. 1

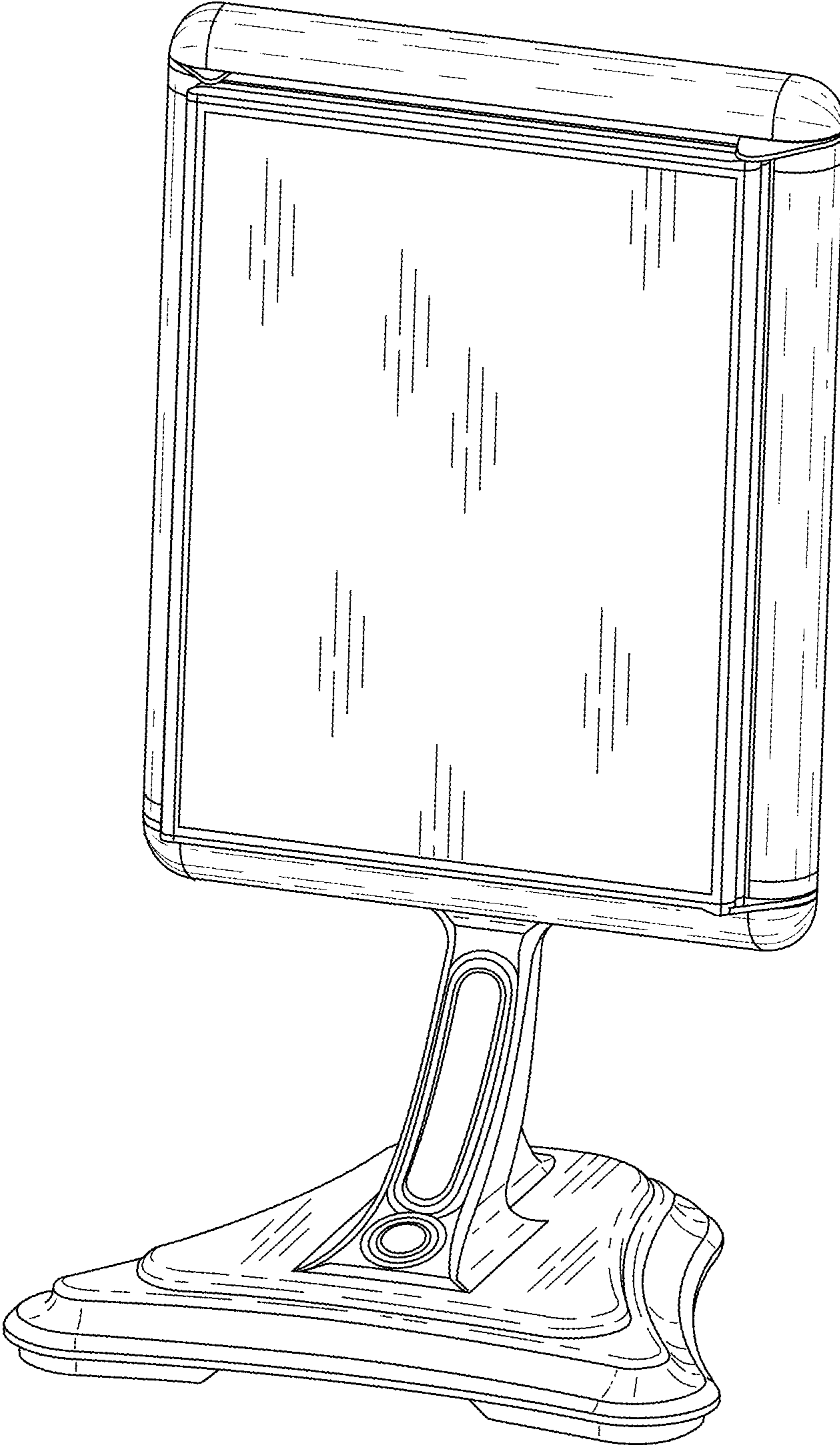


Fig. 2

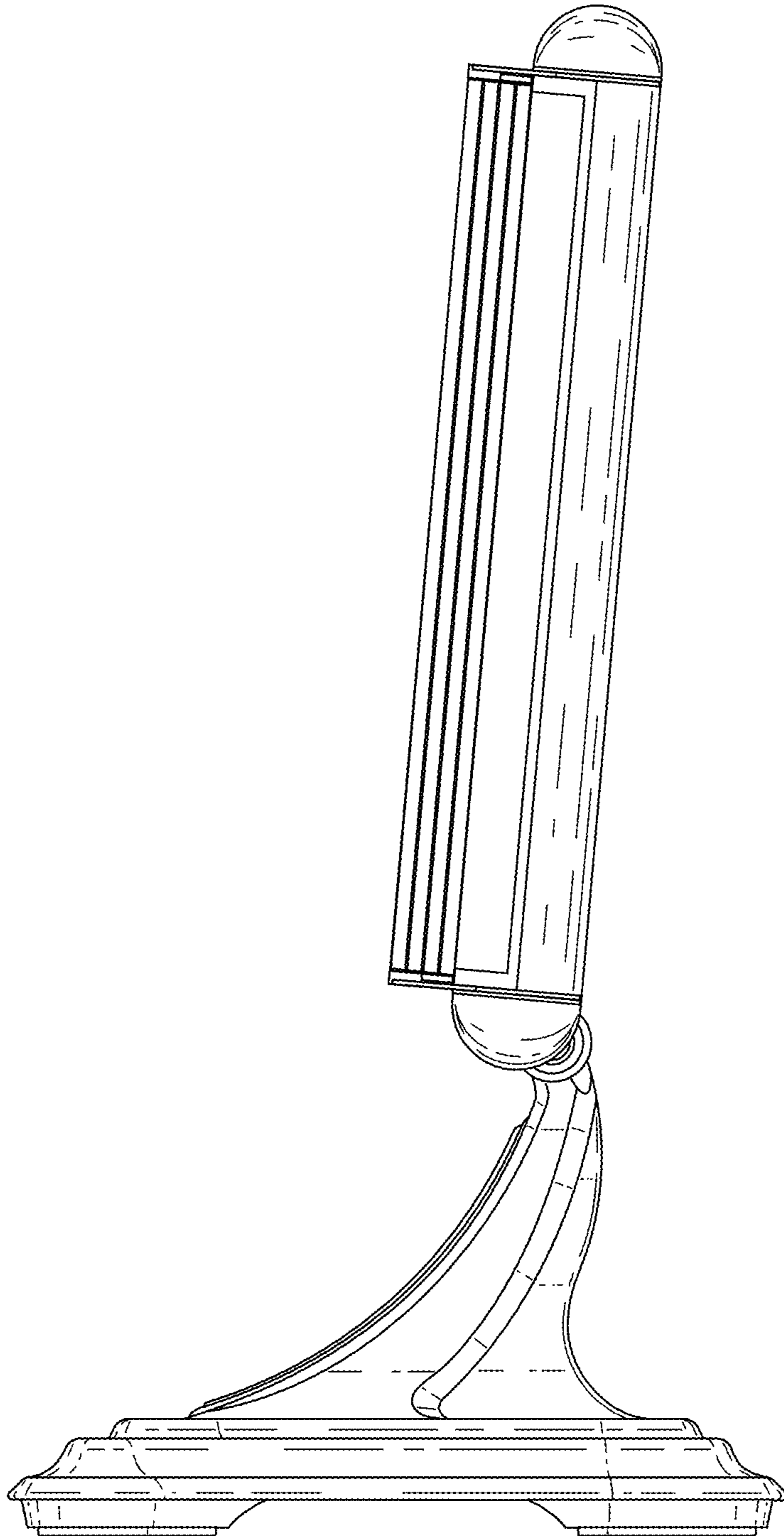


Fig. 3

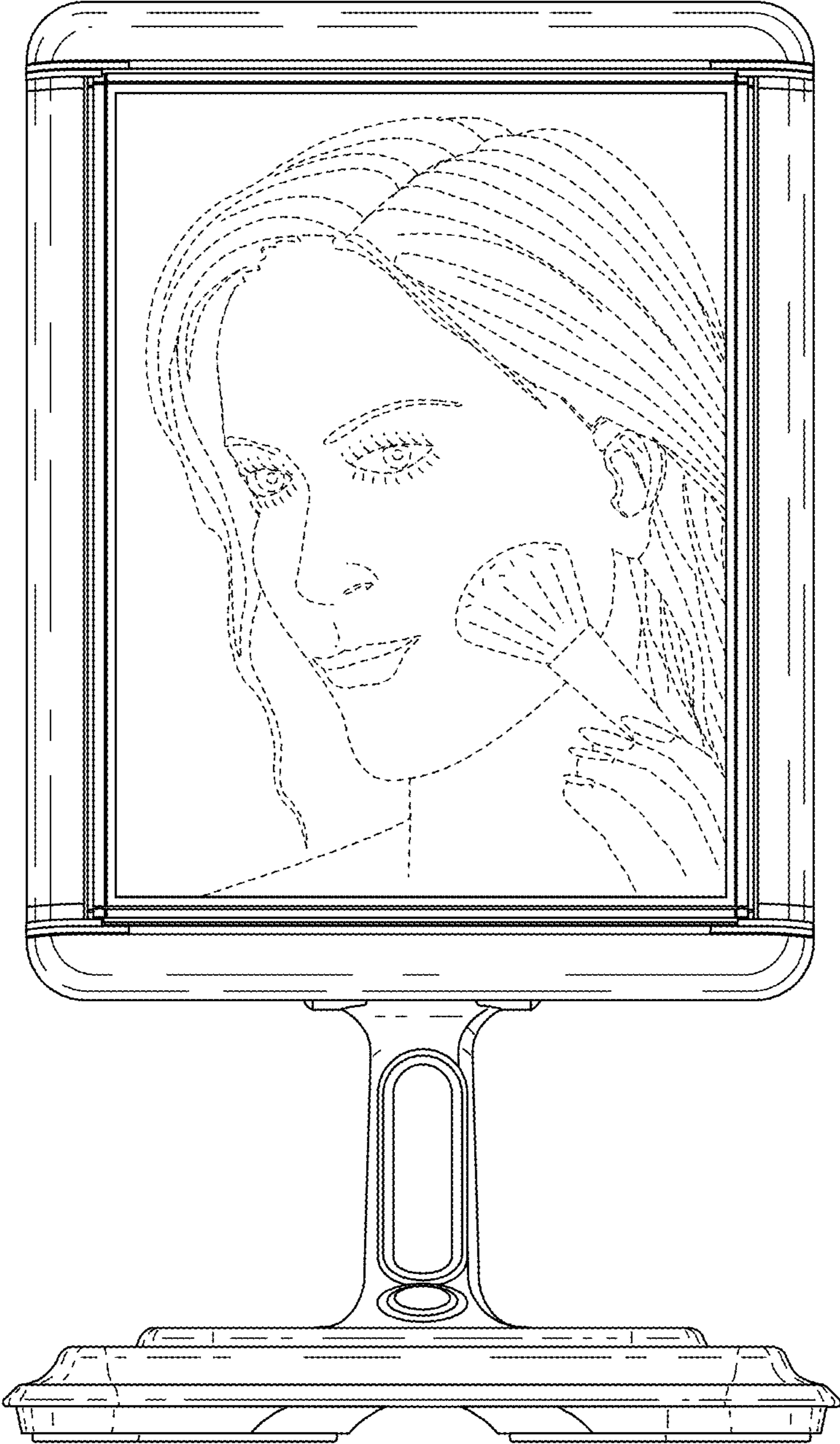


Fig. 4

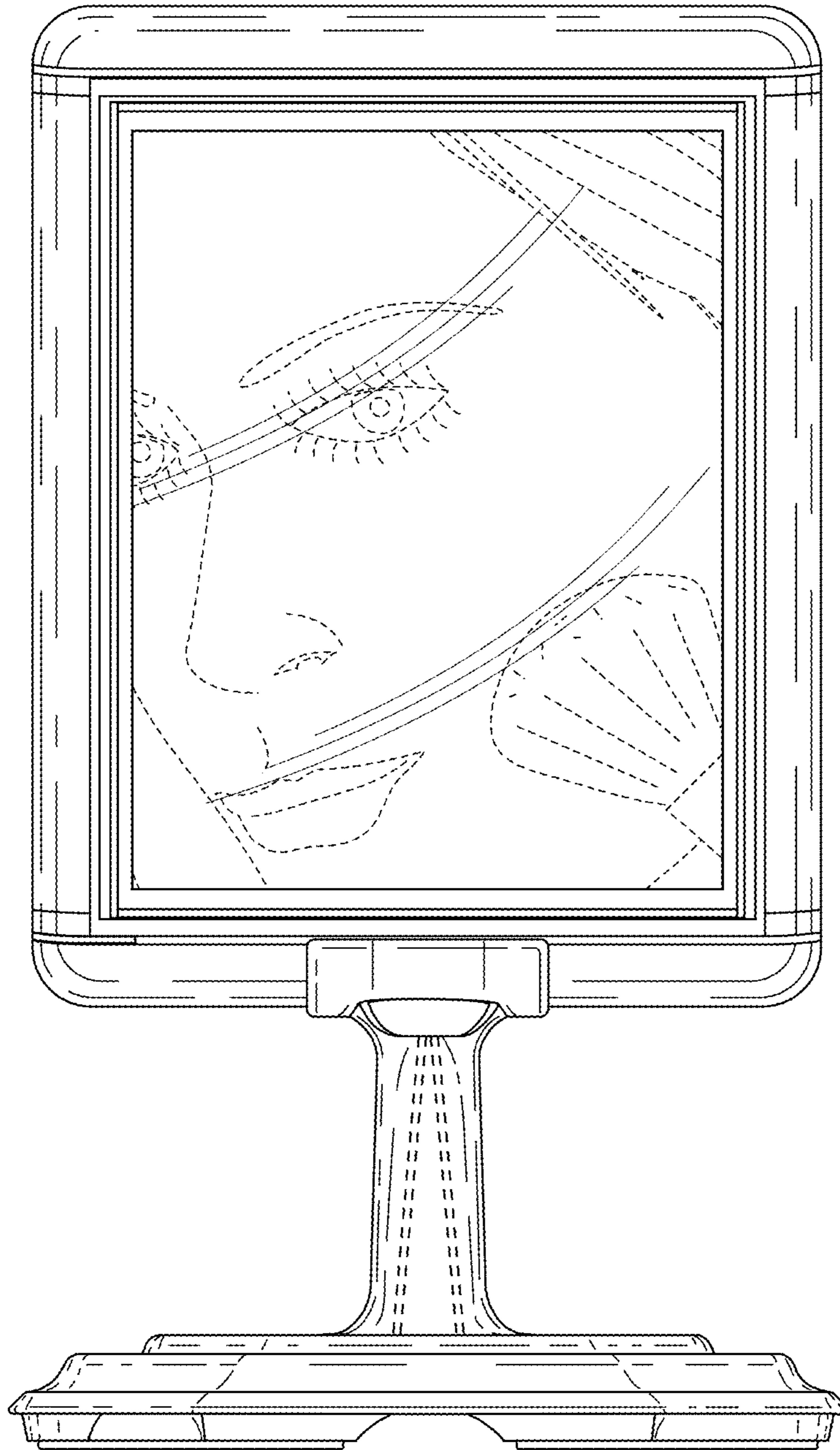


Fig. 5

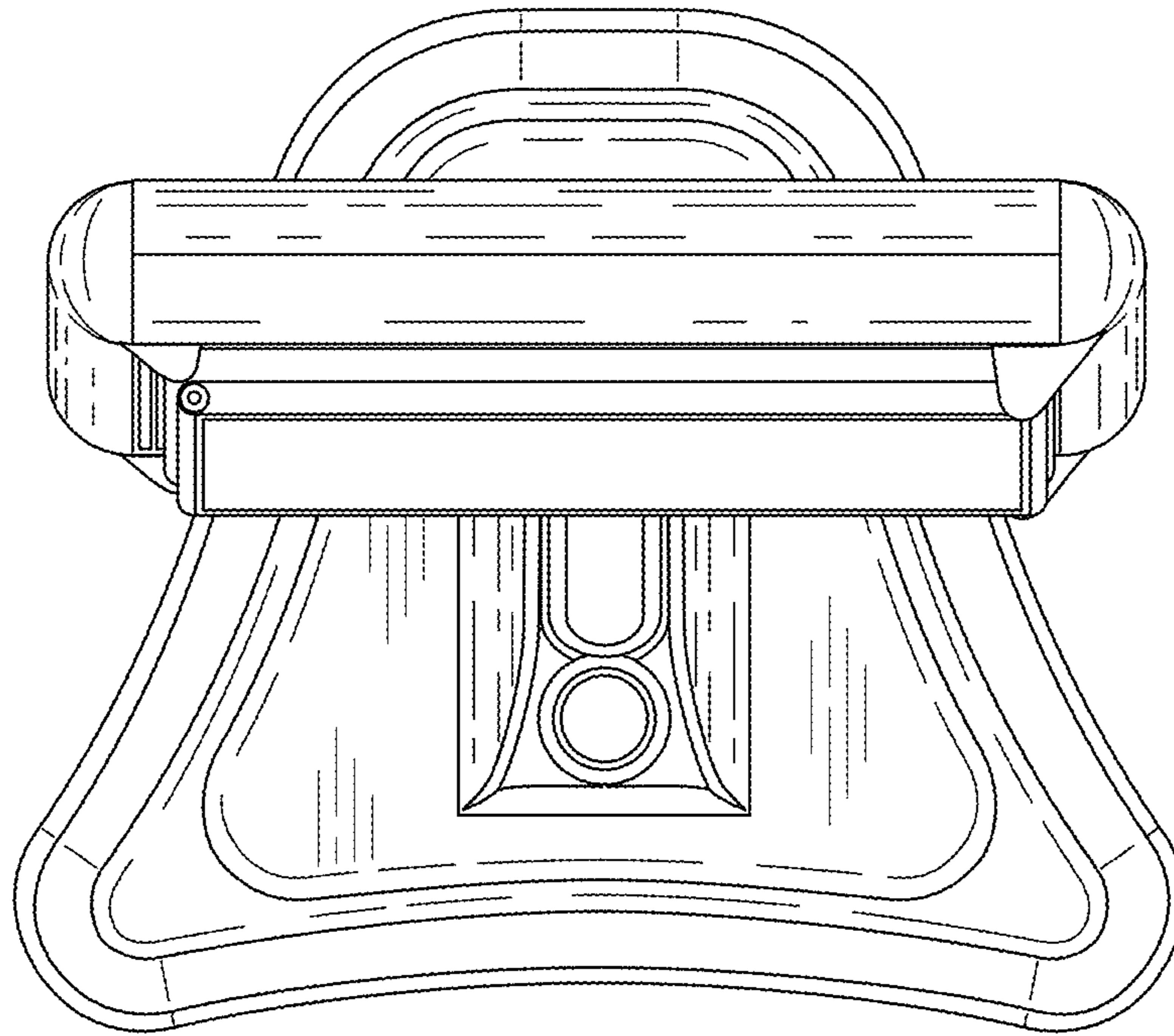


Fig. 6

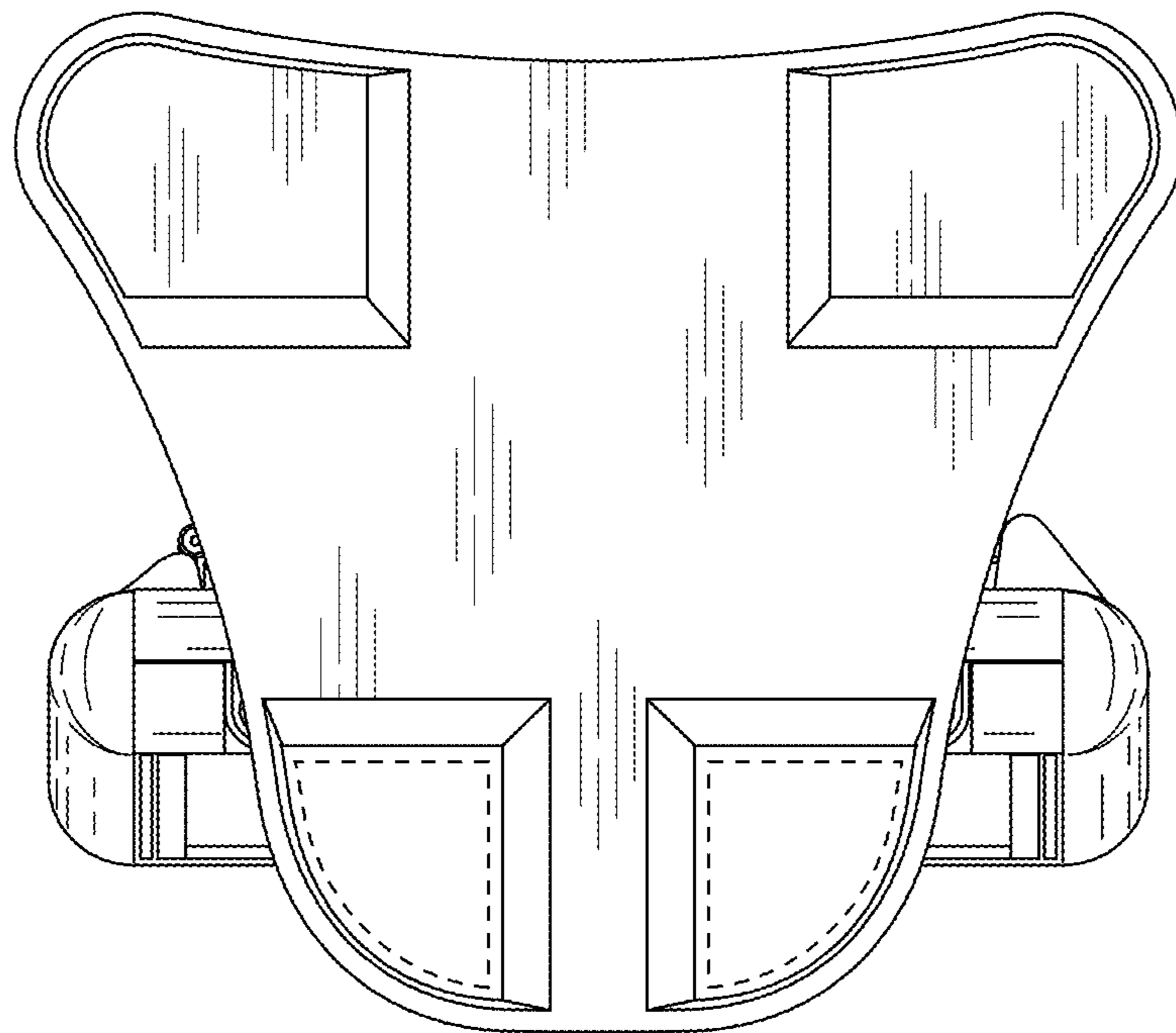


Fig. 7

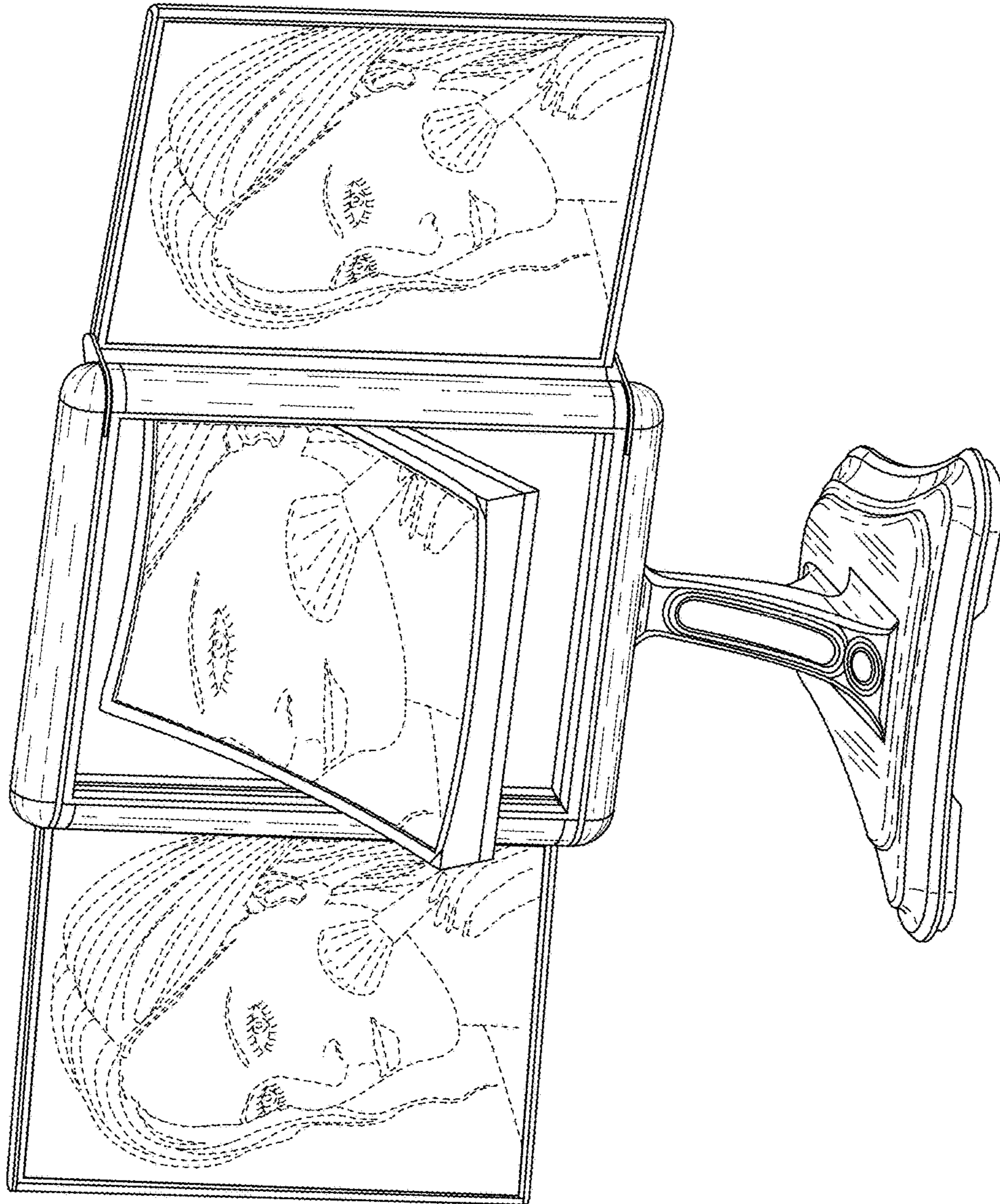


Fig. 8

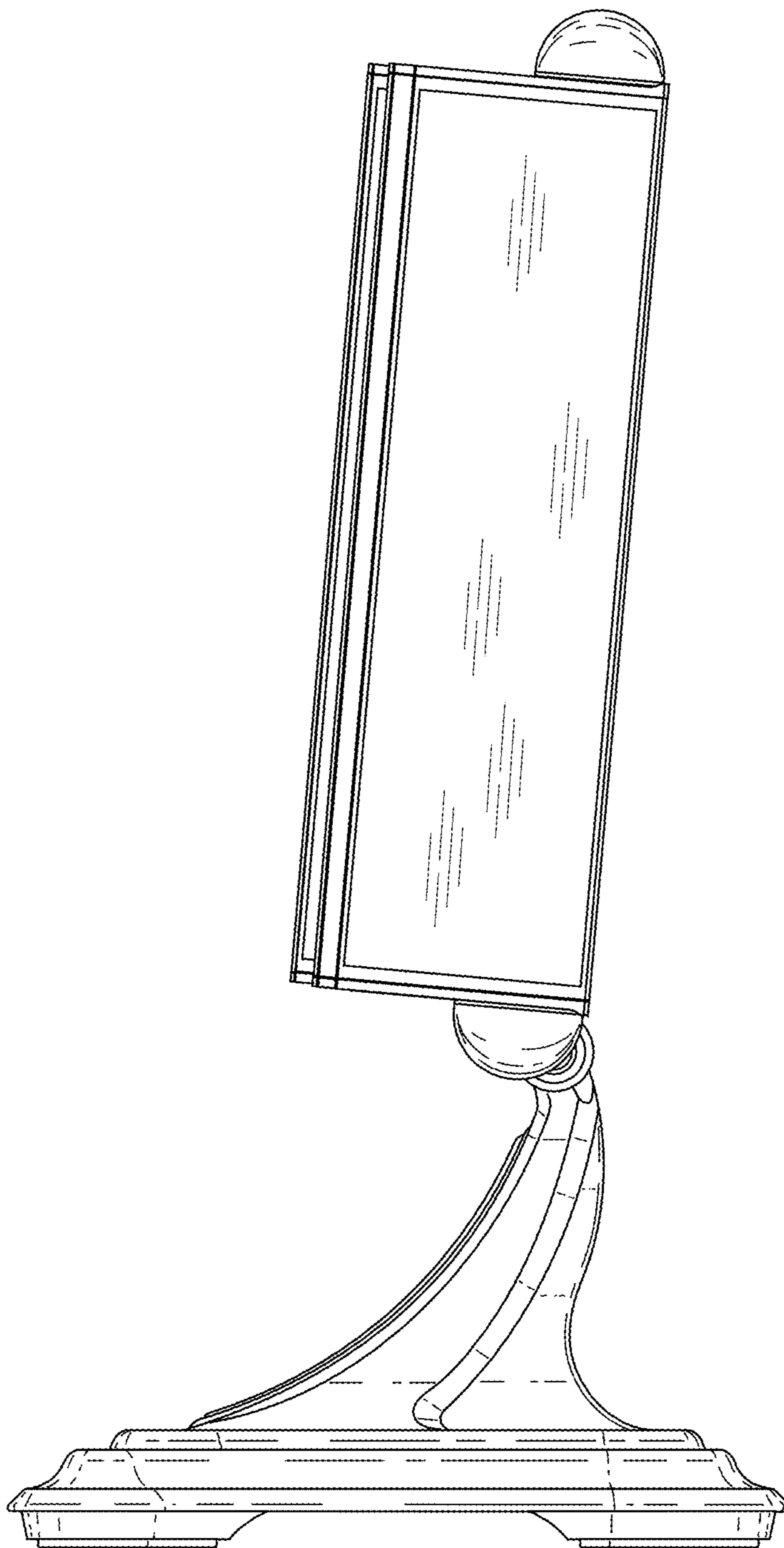
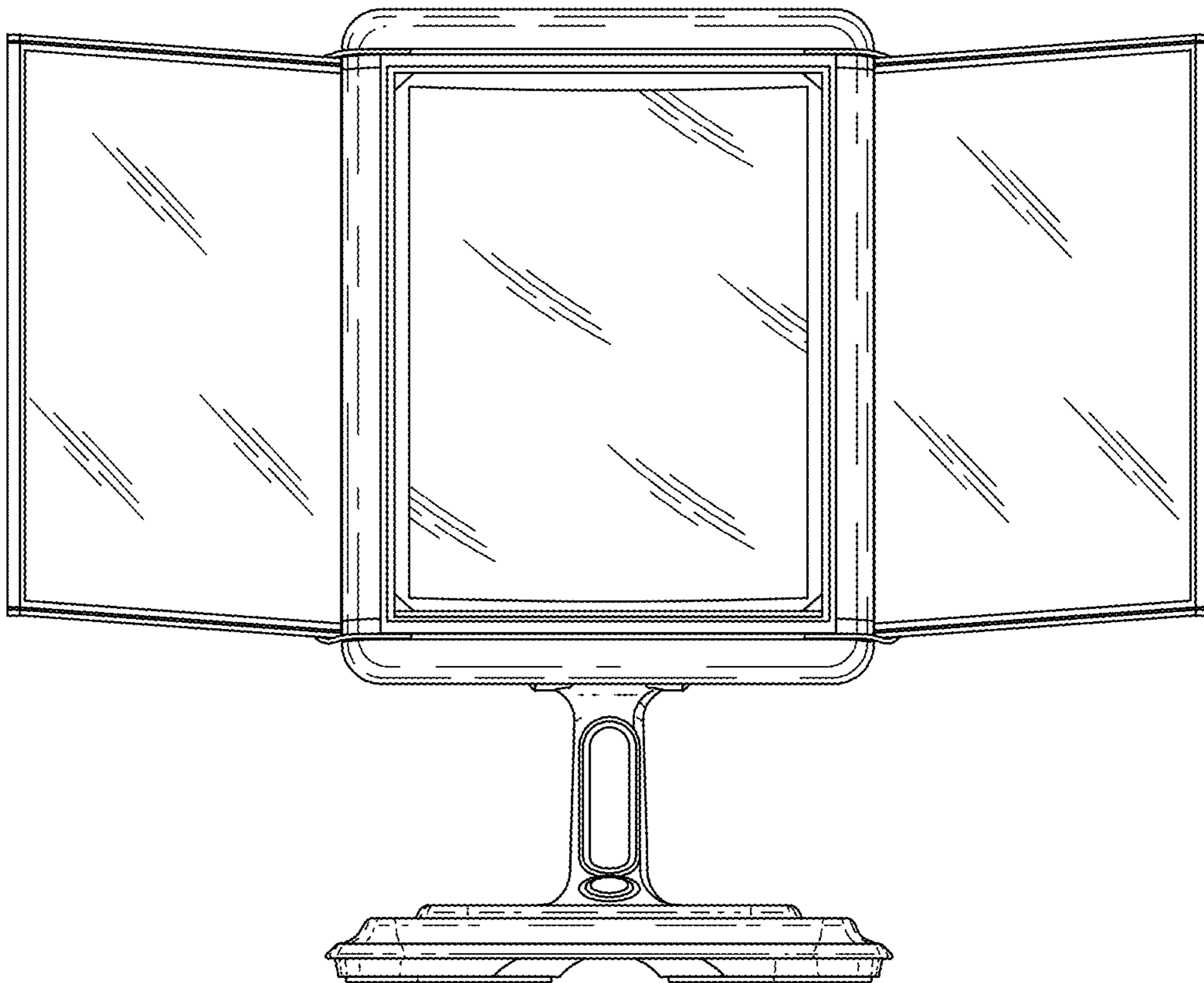


Fig. 9



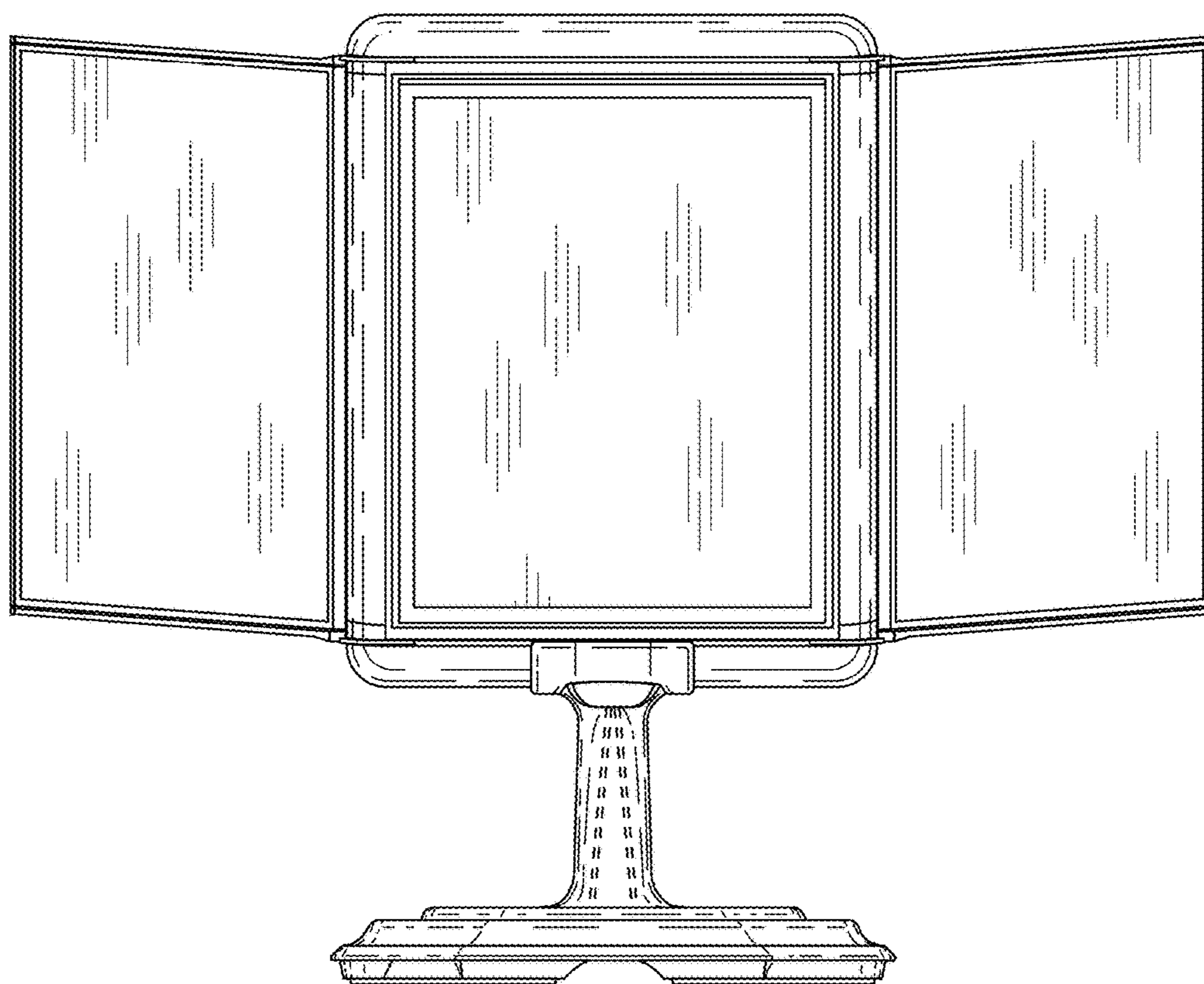


Fig. 10

Fig. 11

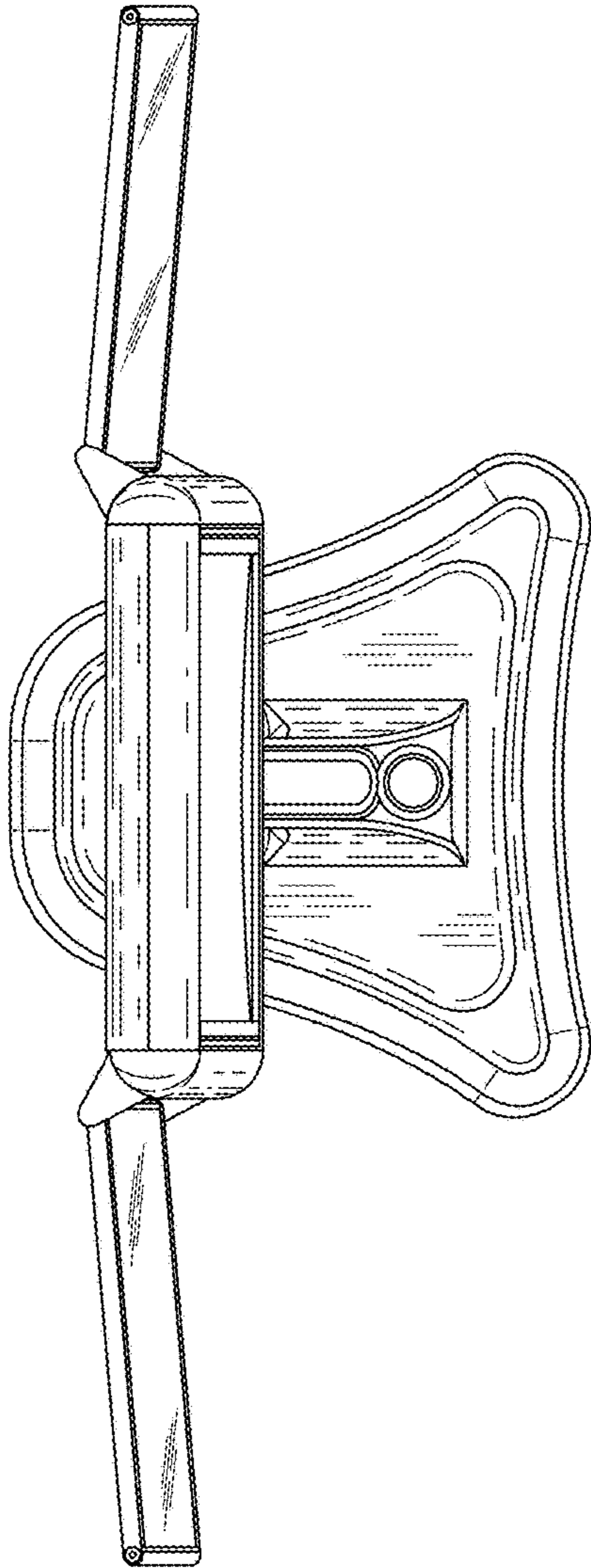


Fig. 12

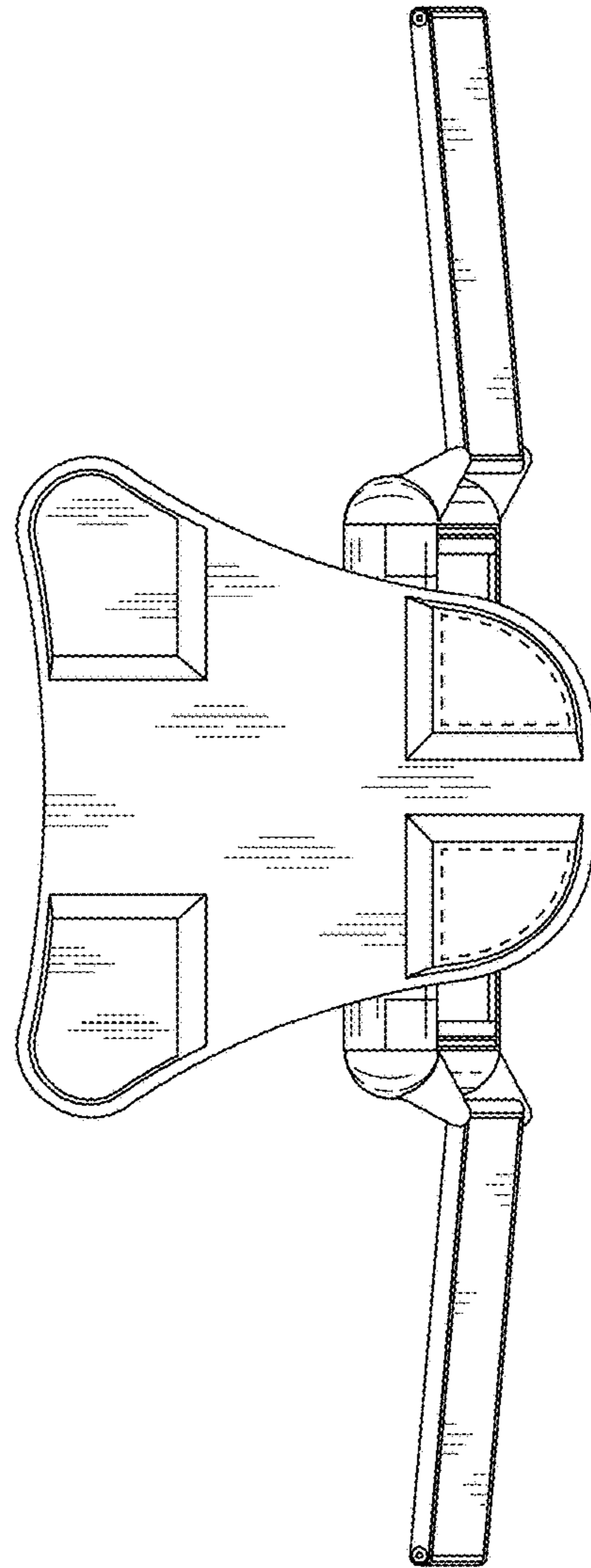


Fig. 13

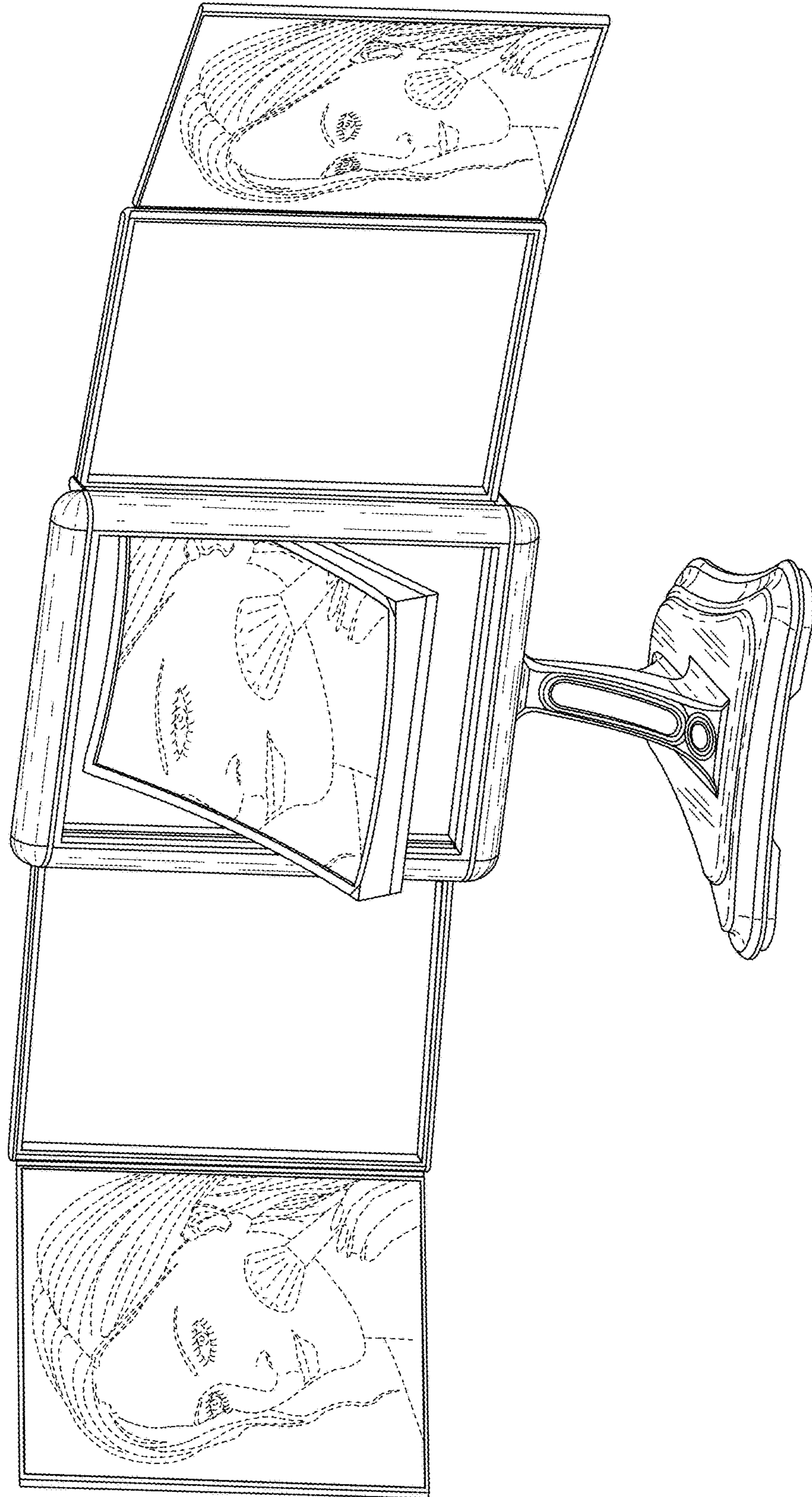


Fig. 14

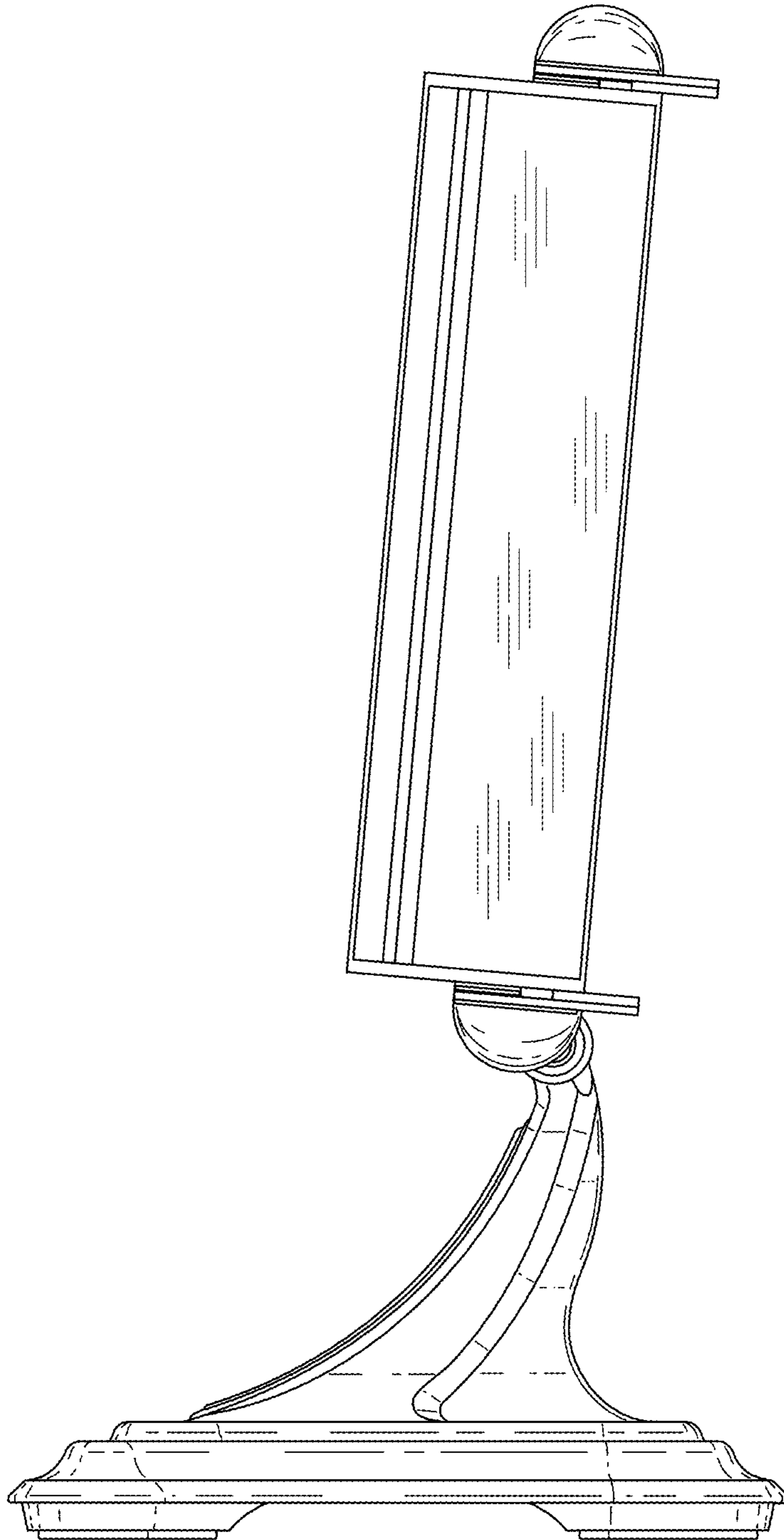


Fig. 15

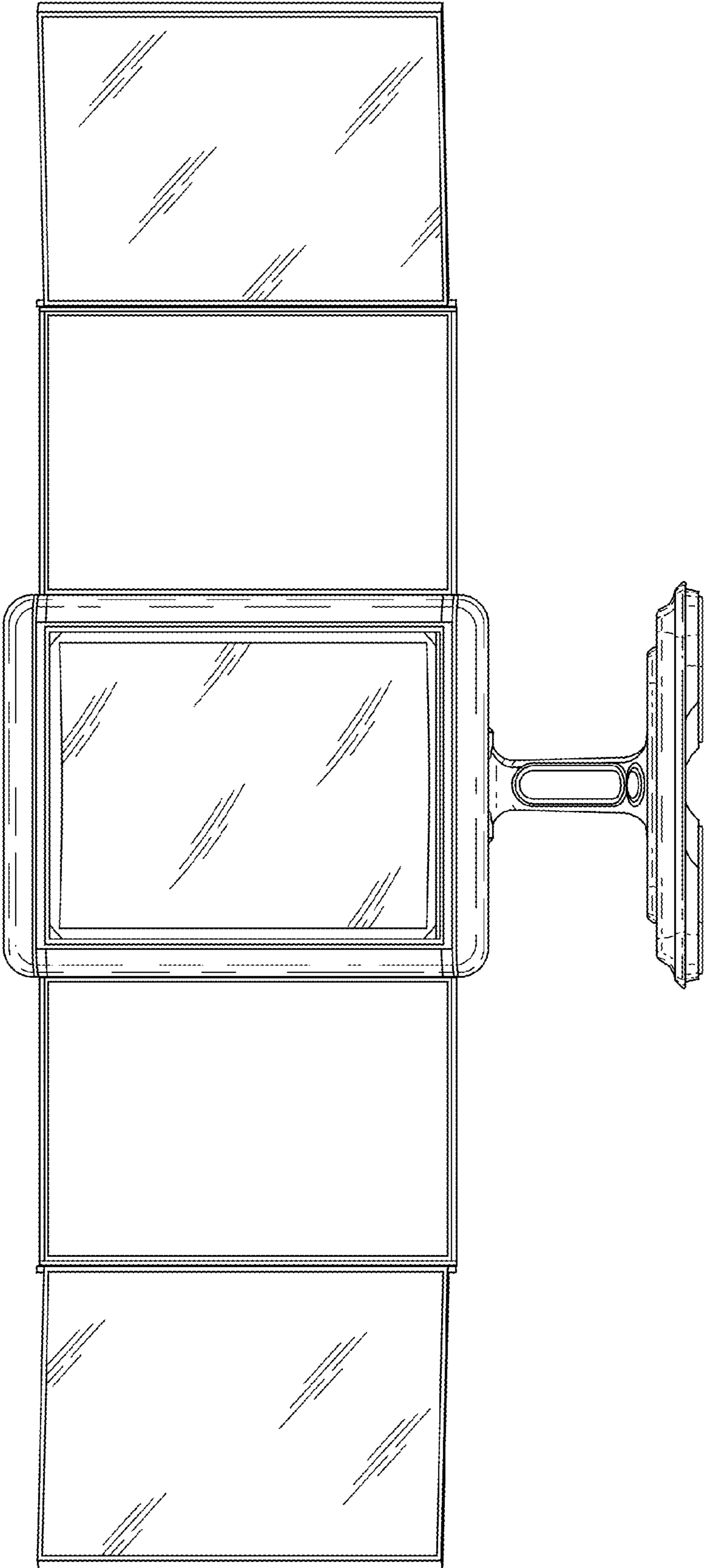


Fig. 16

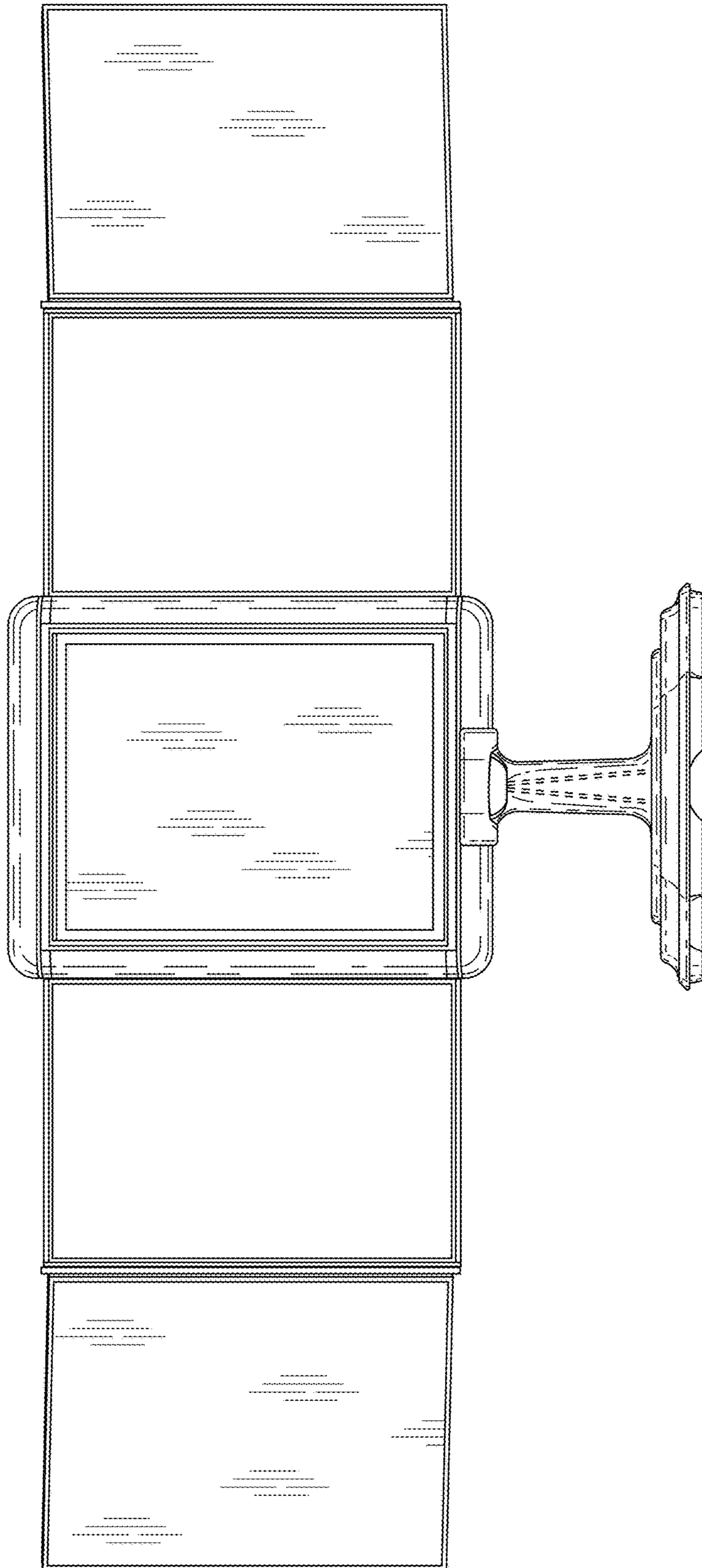


Fig. 17

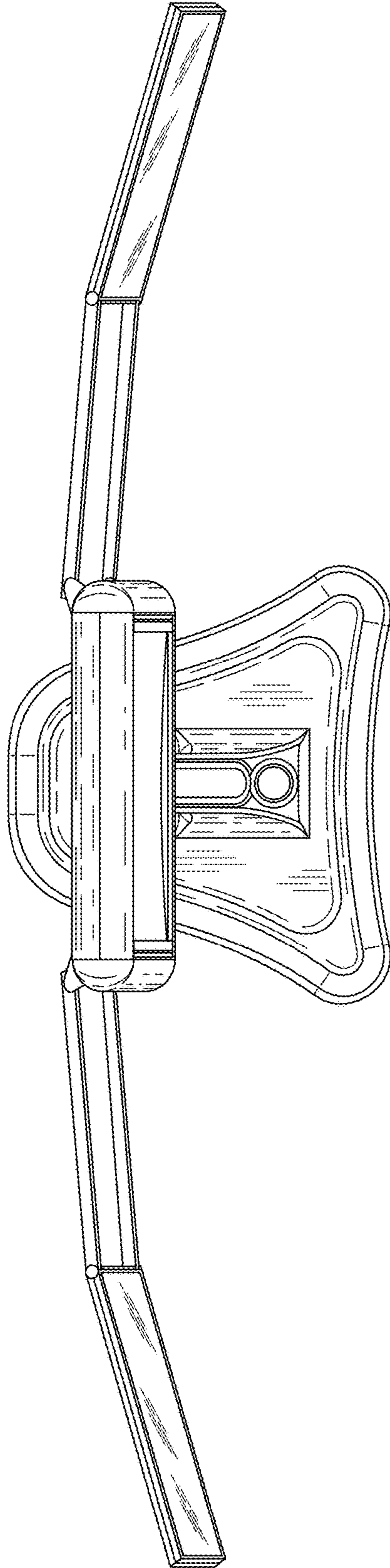


Fig. 18

