



US00D807643S

(12) **United States Design Patent**
Reid

(10) **Patent No.:** **US D807,643 S**

(45) **Date of Patent:** **** Jan. 16, 2018**

(54) **WIDE CHEST BELT WITH FASTENER FOR
BABY CARRIER**

D732,295 S * 6/2015 Aafjes D3/318
D741,067 S * 10/2015 Votel D3/327
D768,992 S * 10/2016 Garyga D3/327

(71) Applicant: **Lisa Reid**, Portola Valley, CA (US)

* cited by examiner

(72) Inventor: **Lisa Reid**, Portola Valley, CA (US)

Primary Examiner — Holly H Baynham

(**) Term: **15 Years**

(57) **CLAIM**

The ornamental design for a wide chest belt with fastener for baby carrier, as shown and described.

(21) Appl. No.: **29/579,850**

DESCRIPTION

(22) Filed: **Oct. 4, 2016**

(51) **LOC (11) Cl.** **03-01**

(52) **U.S. Cl.**
USPC **D3/318**

(58) **Field of Classification Search**
USPC D3/327
CPC A45F 5/10; A45F 3/04; A63B 55/00
See application file for complete search history.

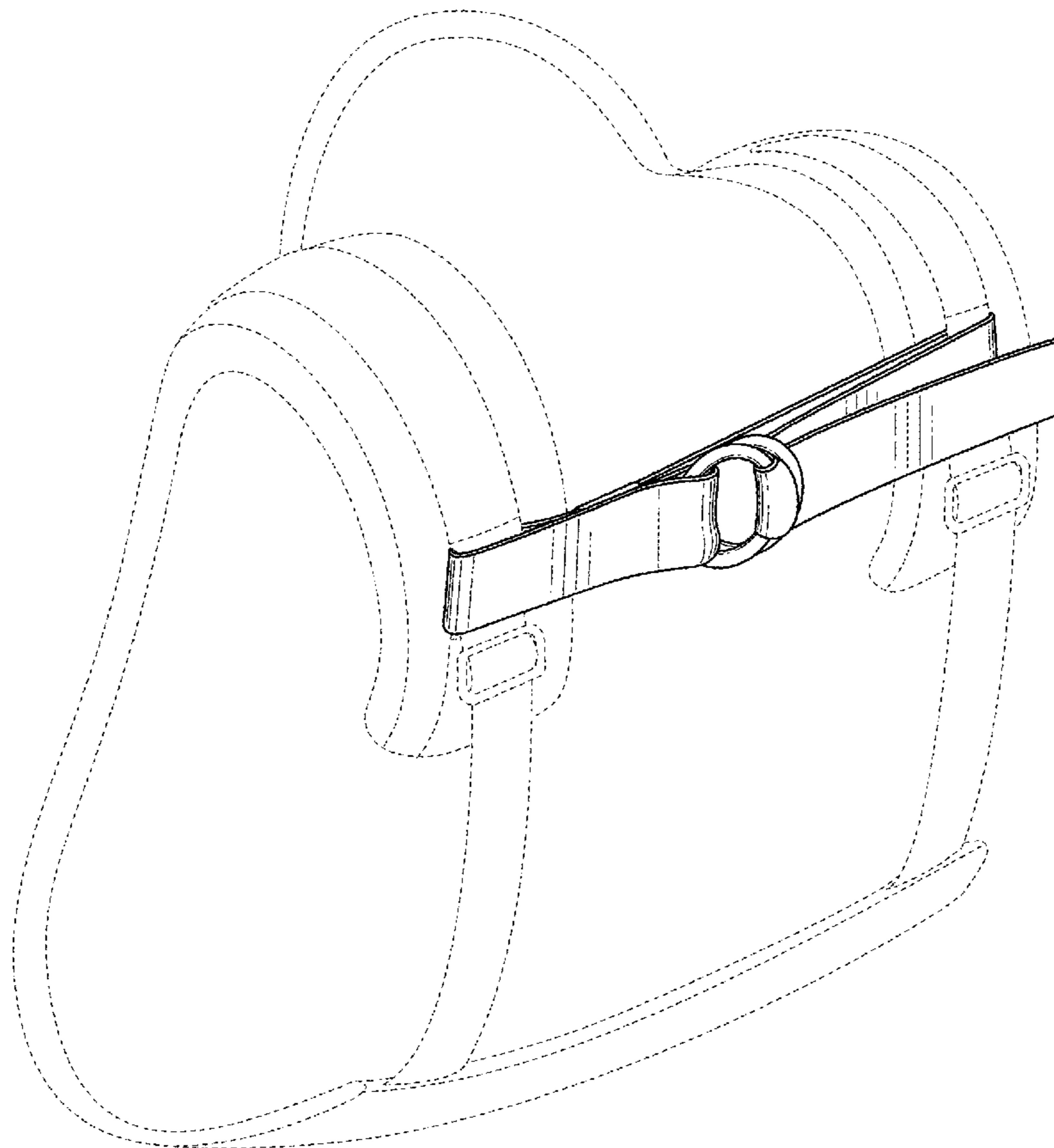
FIG. 1 is a front perspective view of an embodiment of the wide chest belt with fastener for baby carrier in a fastened state showing my new design;
FIG. 2 is a front view of the embodiment of FIG. 1;
FIG. 3 is a front view of the wide chest belt with fastener for baby carrier in a different fastened position
FIG. 4 is a right side view of the embodiment of FIG. 1;
FIG. 5 is a left side view of the embodiment of FIG. 1;
FIG. 6 is a top view of the embodiment of FIG. 1, the bottom view being a mirror image thereof; and,
FIG. 7 is a front perspective view in an unfastened position. The broken lines showing a baby carrier are for the purposes of illustrating environment and form no part of the claimed design.

(56) **References Cited**

U.S. PATENT DOCUMENTS

D451,282 S * 12/2001 Konkle D3/318
D564,761 S * 3/2008 McGlenn D3/327
D675,023 S * 1/2013 Colgan D3/327
D681,339 S * 5/2013 Edwards D3/318

1 Claim, 7 Drawing Sheets



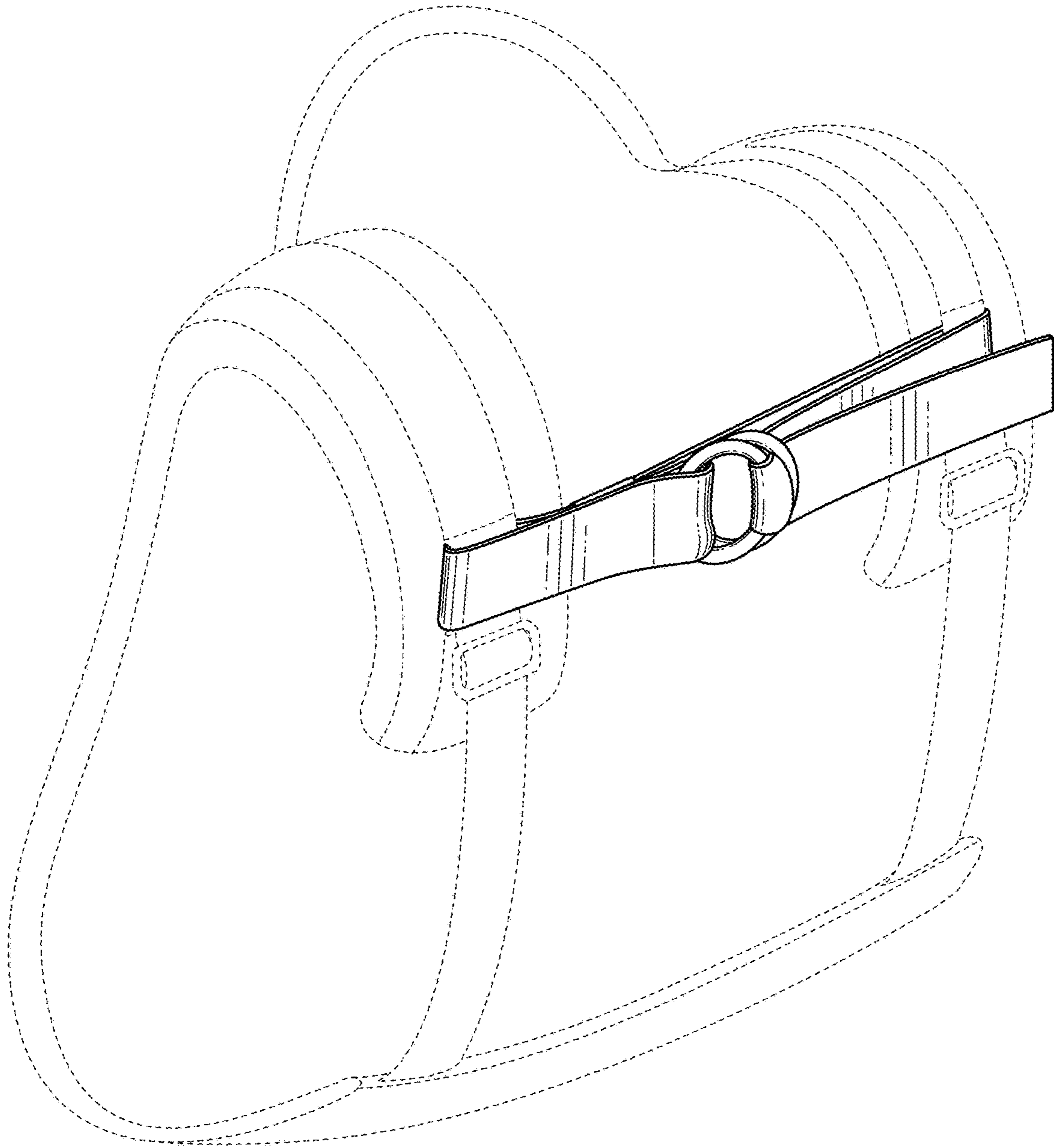


FIG. 1

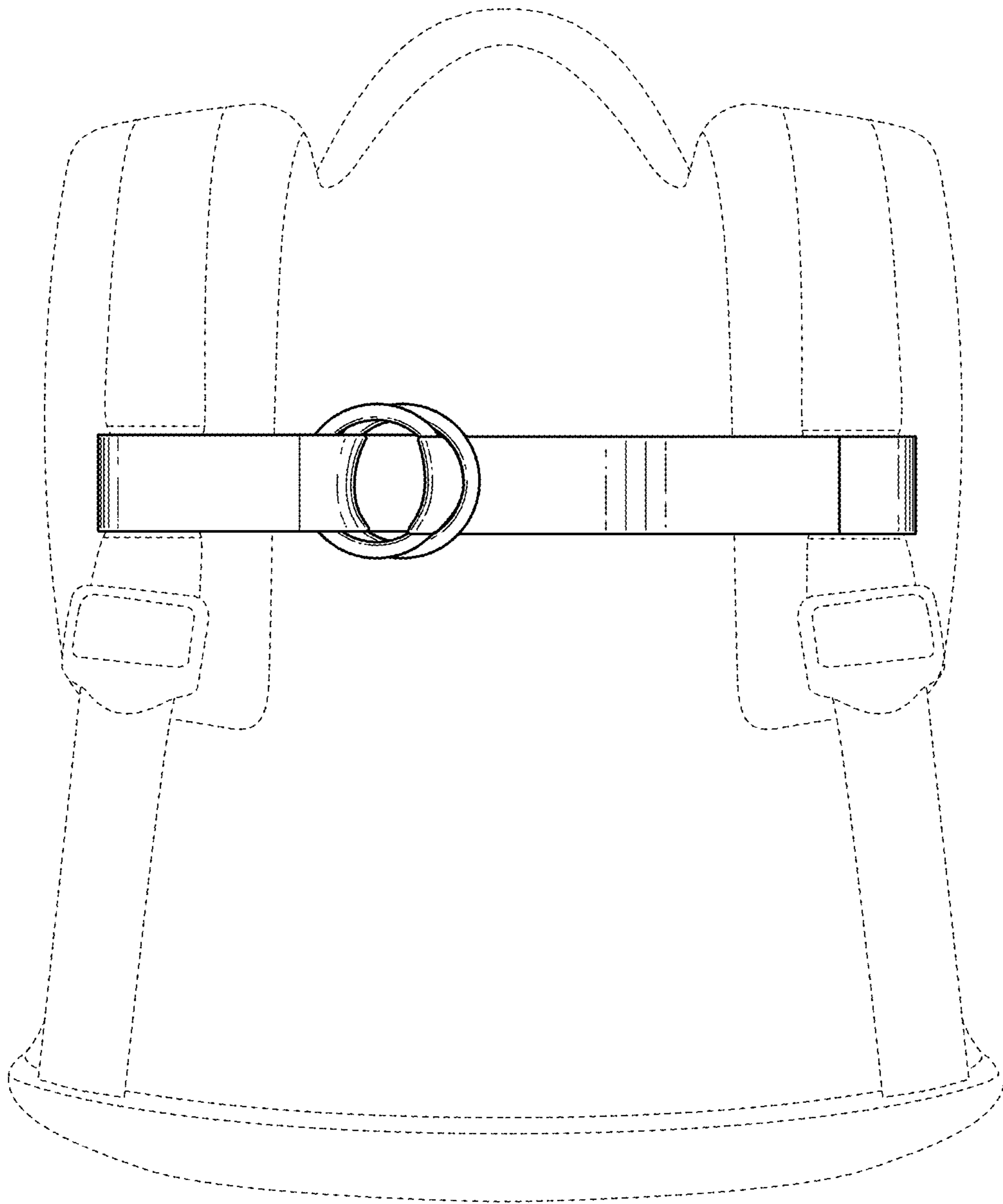


FIG. 2

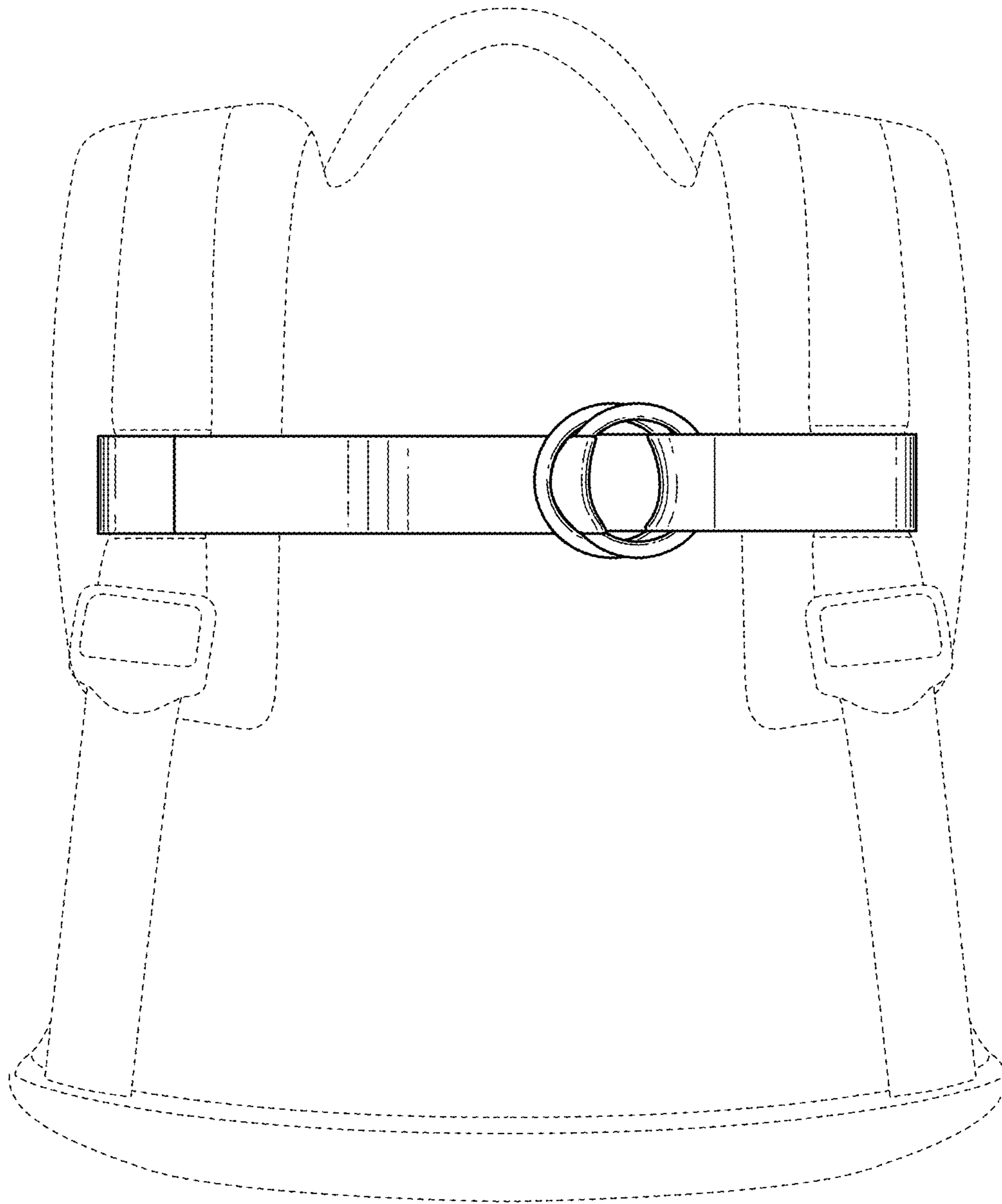


FIG. 3

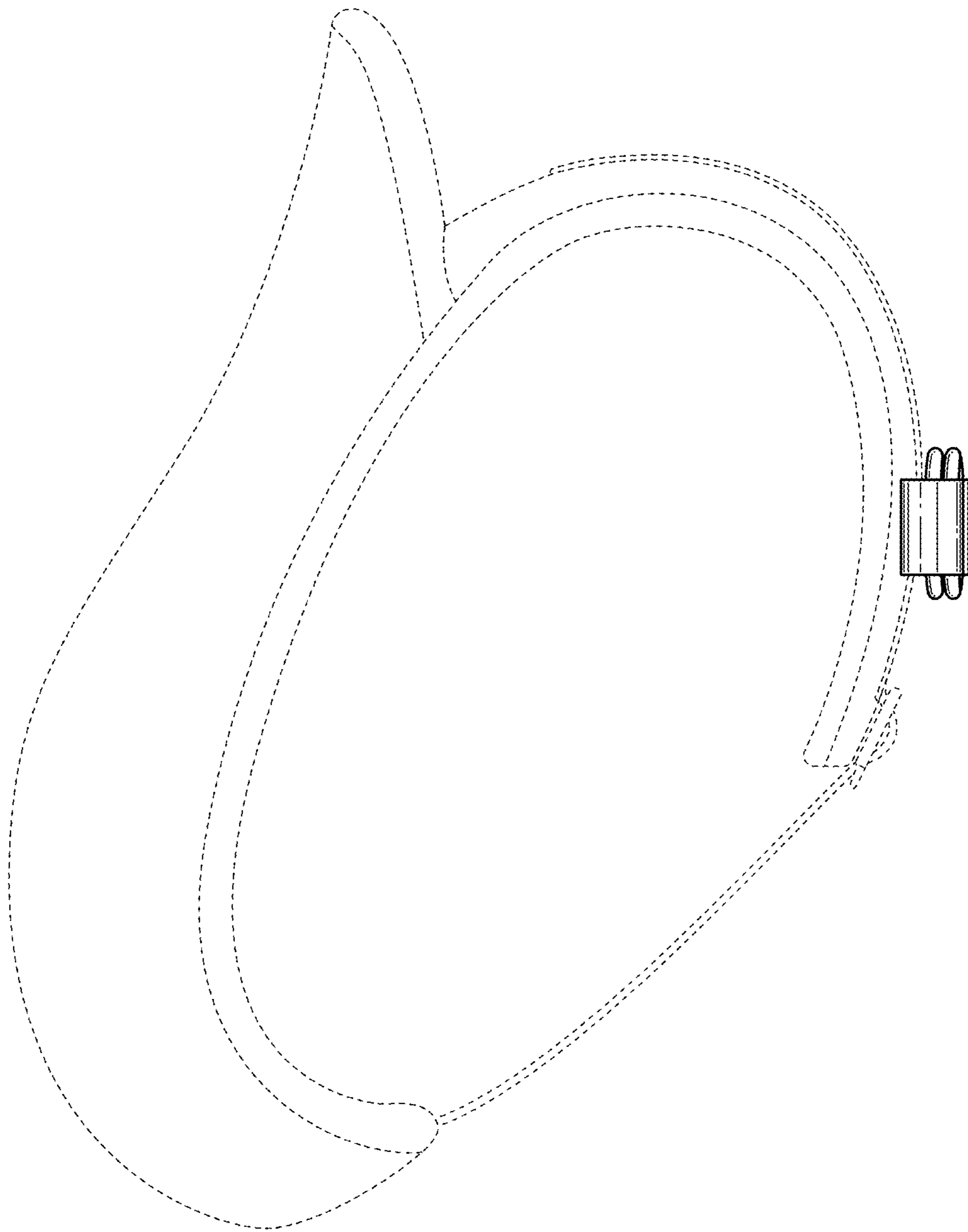


FIG. 4

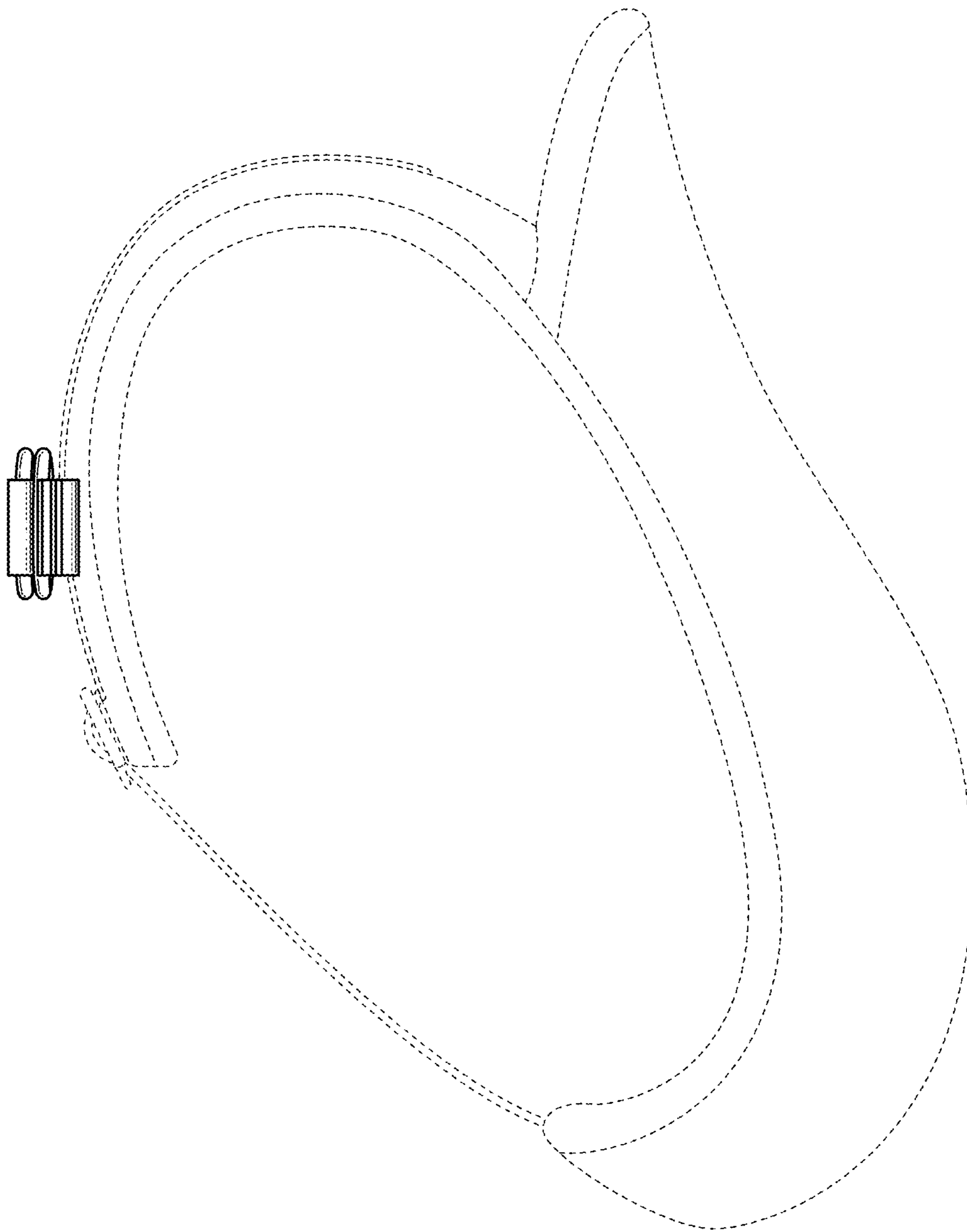


FIG. 5

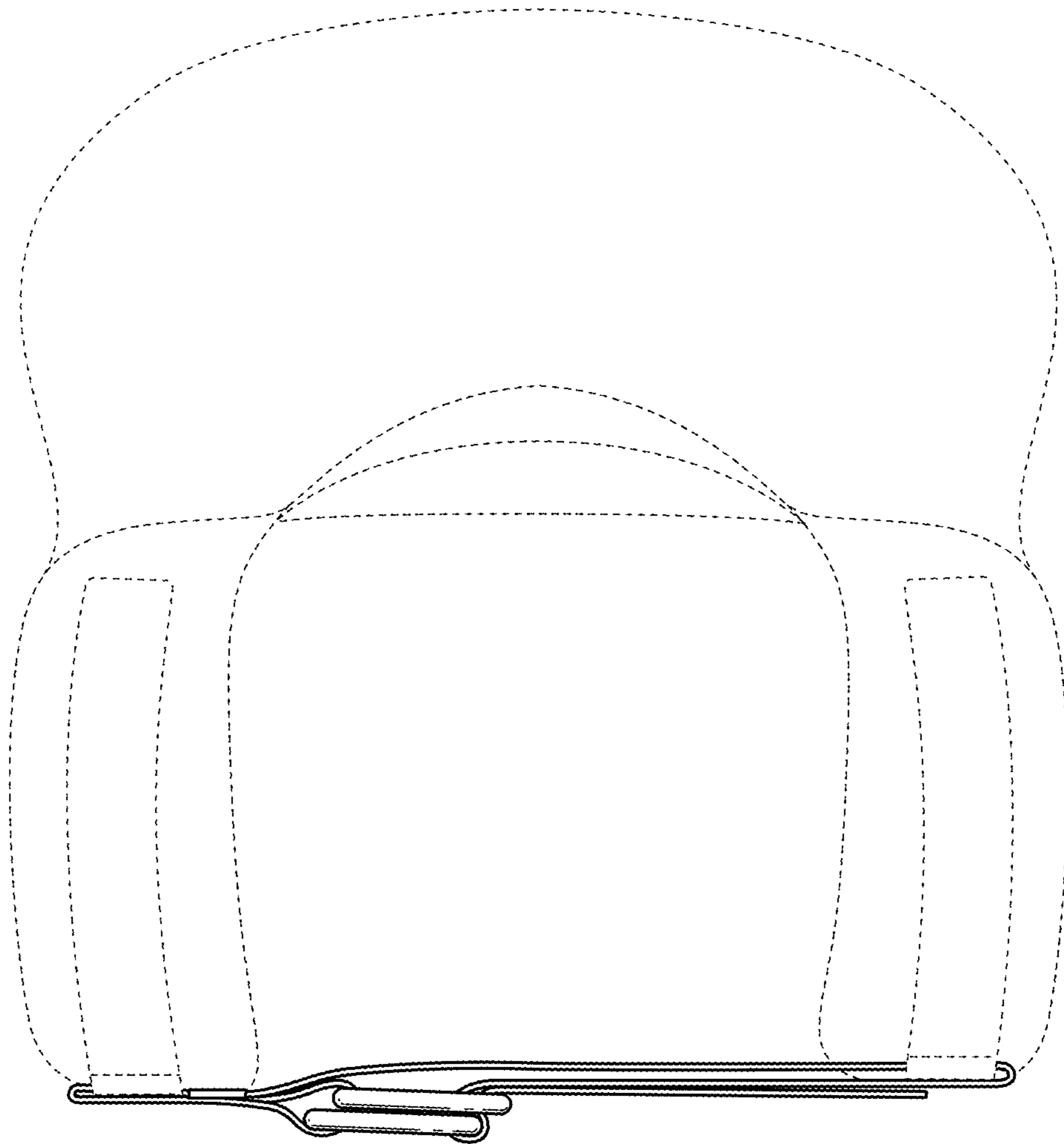


FIG. 6

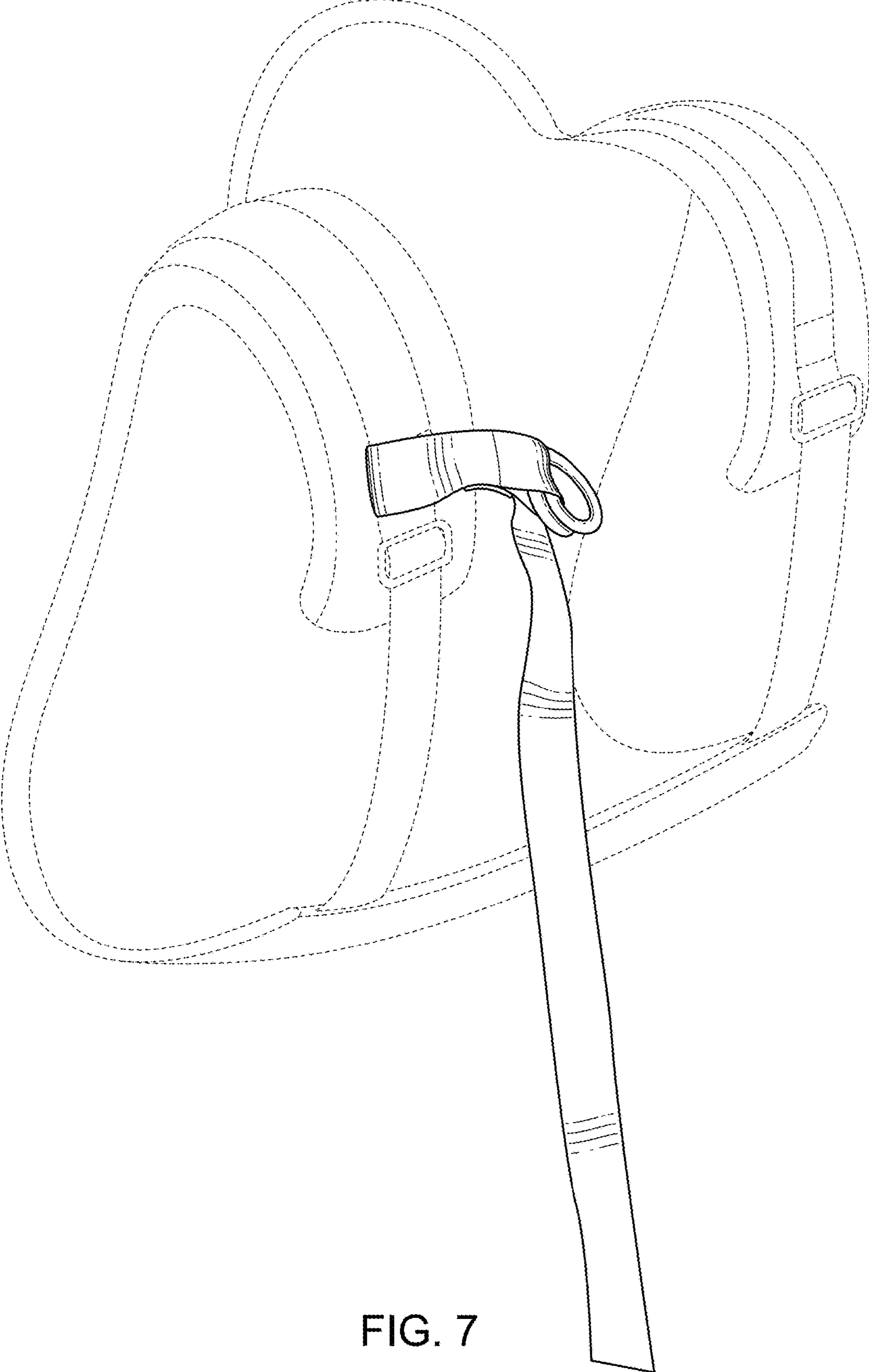


FIG. 7