



US00D807640S

(12) **United States Design Patent**  
**Goldszer**

(10) **Patent No.:** **US D807,640 S**

(45) **Date of Patent:** **\*\* Jan. 16, 2018**

(54) **TWO POCKET PHONE AND ACCESSORY  
POUCH FOR CHAIR**

(71) Applicant: **JGR Copa LLC**, Hollywood, FL (US)

(72) Inventor: **Jacob Goldszer**, Hollywood, FL (US)

(73) Assignee: **JGR Copa LLC**, Hollywood, FL (US)

(\*\*) Term: **15 Years**

(21) Appl. No.: **29/561,945**

(22) Filed: **Apr. 21, 2016**

(51) **LOC (11) Cl.** ..... **03-01**

(52) **U.S. Cl.**  
USPC ..... **D3/303**

(58) **Field of Classification Search**  
USPC ..... D3/221, 255, 247, 269, 299, 273, 276,  
D3/289, 293, 290, 301, 303, 318, 319;  
D9/702, 703, 705, 707, 709, 710, 433,  
D9/901; D14/250; D19/3  
CPC ..... A47C 7/62; A47C 1/14  
See application file for complete search history.

(56) **References Cited**

**U.S. PATENT DOCUMENTS**

D363,603 S *	10/1995	Leveen	.....	D3/303
5,605,235 A *	2/1997	Johnson	.....	F16M 13/00
				211/26.1
D482,195 S *	11/2003	Hansen	.....	D3/227
D484,689 S *	1/2004	Hansen	.....	D3/227
D522,750 S *	6/2006	Girod	.....	D3/303
D543,032 S *	5/2007	Owenby	.....	D3/303
D546,705 S *	7/2007	Suzuki	.....	D9/415
D601,799 S *	10/2009	Andre	.....	D3/303
D636,997 S *	5/2011	DeVoe	.....	D12/133
D694,009 S *	11/2013	D'Amore	.....	D3/249
D709,700 S *	7/2014	Nunez	.....	D3/303

(Continued)

**OTHER PUBLICATIONS**

Rio SC642C HiBoy Beach Chair Free Shipping, Island Beach Gear, islandbeachgear.com, Code: S2236, MFG Code: SC6421610, Mar. 1, 2016, <https://www.islandbeachgear.com>.

*Primary Examiner* — Sandra Snapp

*Assistant Examiner* — Holly E Thurman

(74) *Attorney, Agent, or Firm* — Robert C. Kain, Jr.

(57) **CLAIM**

I claim the ornamental design for a two pocket phone and accessory pouch for chair, as shown and described.

**DESCRIPTION**

FIG. 1 is an inboard perspective view of the two pocket phone and accessory pouch for chair, shown in a condition of use with an unclaimed accessory.

FIG. 2 is an enlarged inboard left side view of FIG. 1 shown in a condition of use with an unclaimed accessory.

FIG. 3 is a right side or outboard view of the pouch which is an enlarged view of FIG. 1.

FIG. 4 is a front elevational view of the pouch which is an enlarged view of FIG. 1.

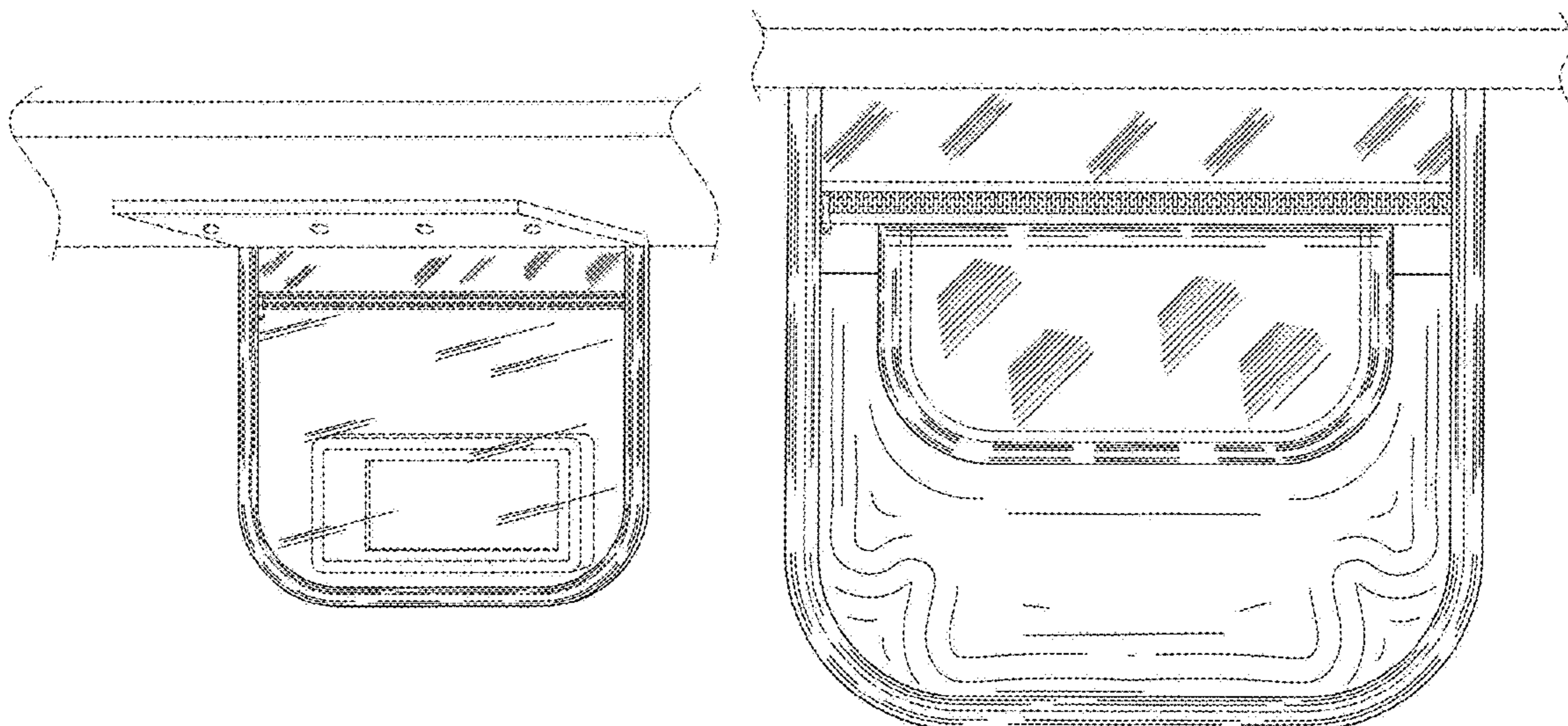
FIG. 5 is a rear elevational view of the pouch which is an enlarged view of FIG. 1.

FIG. 6 is a bottom view of the pouch which is an enlarged view of FIG. 1; and,

FIG. 7 is a top view of the pouch which is an enlarged view of FIG. 1.

The broken lines forming no part of the article, namely the broken lines on the zipper pull, the zipper, the attachment to the chair and the environment. The broken lines immediately adjacent the claimed surfaces represent boundaries of the claimed design. The dash-dot-dash broken lines represent stitching. The dashed broken lines depict unclaimed environmental structures, to include an accessory in FIGS. 1 and 2. All broken lines form no part of the claimed design. In FIG. 1 and FIG. 2, the shading depicts a transparent cover enabling a view of accessories carried by the pouch.

**1 Claim, 7 Drawing Sheets**



(56)

**References Cited**

U.S. PATENT DOCUMENTS

D717,545 S *	11/2014	Chuang .....	D3/318
D718,935 S *	12/2014	Hyzdu .....	D3/303
D728,937 S *	5/2015	Fridley .....	D3/303
D744,236 S *	12/2015	Turksu .....	D3/300
D753,398 S *	4/2016	Arami .....	D3/299
D764,800 S *	8/2016	Juniper .....	D3/303
D771,943 S *	11/2016	Milstead .....	D3/303
2013/0328362 A1 *	12/2013	Miller .....	A47C 7/62 297/188.2

\* cited by examiner

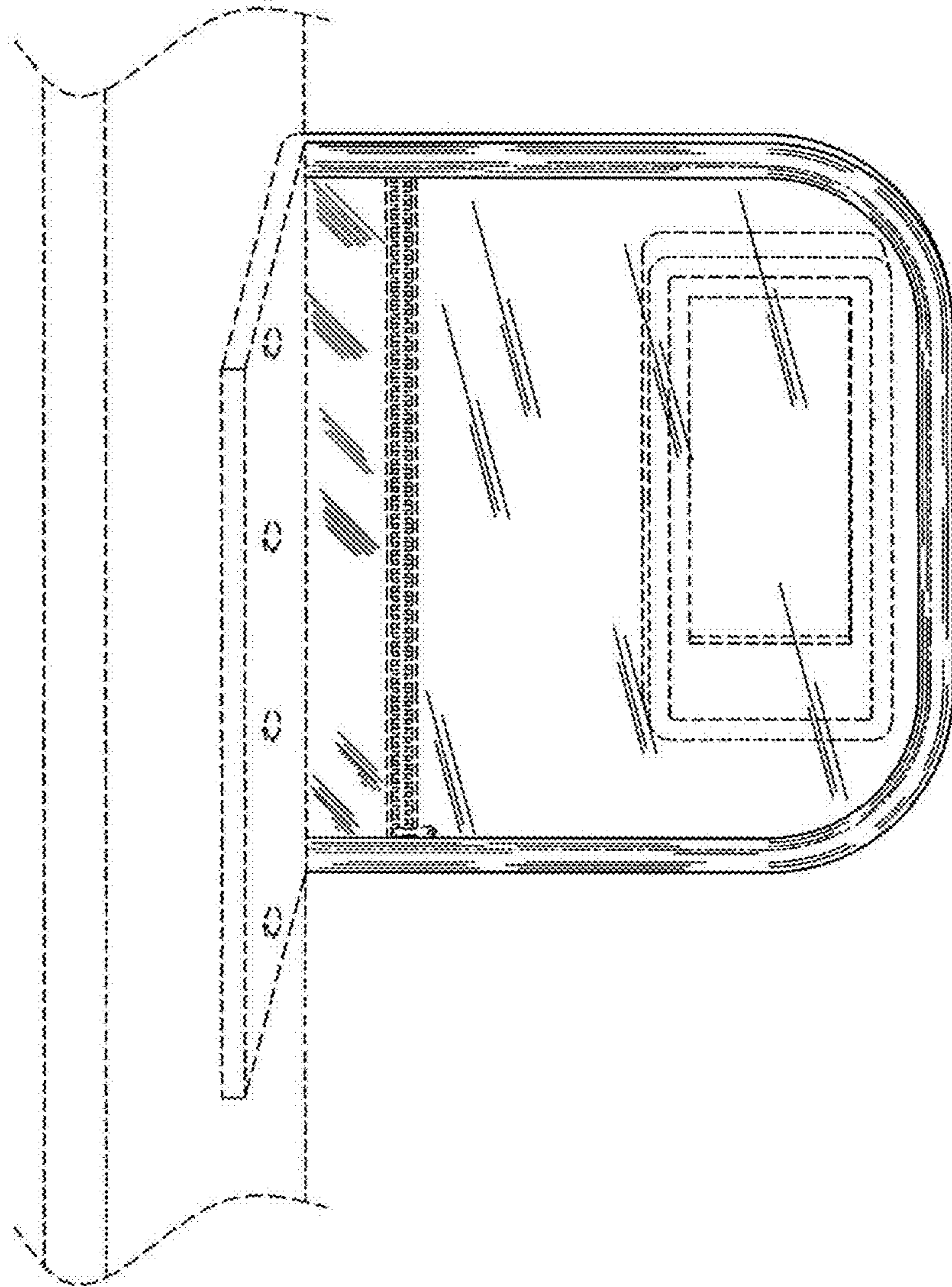


FIG. 1

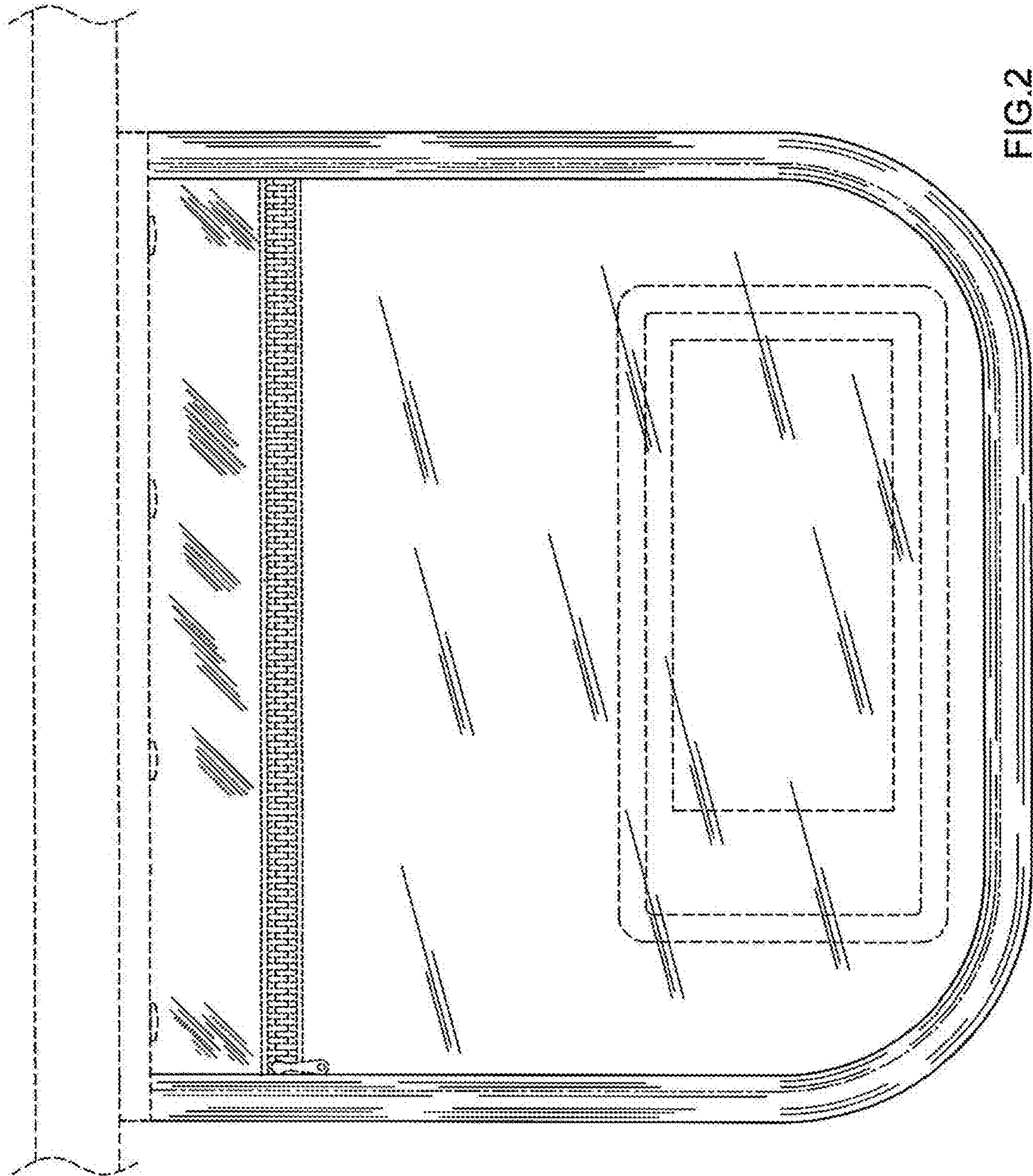


FIG. 2

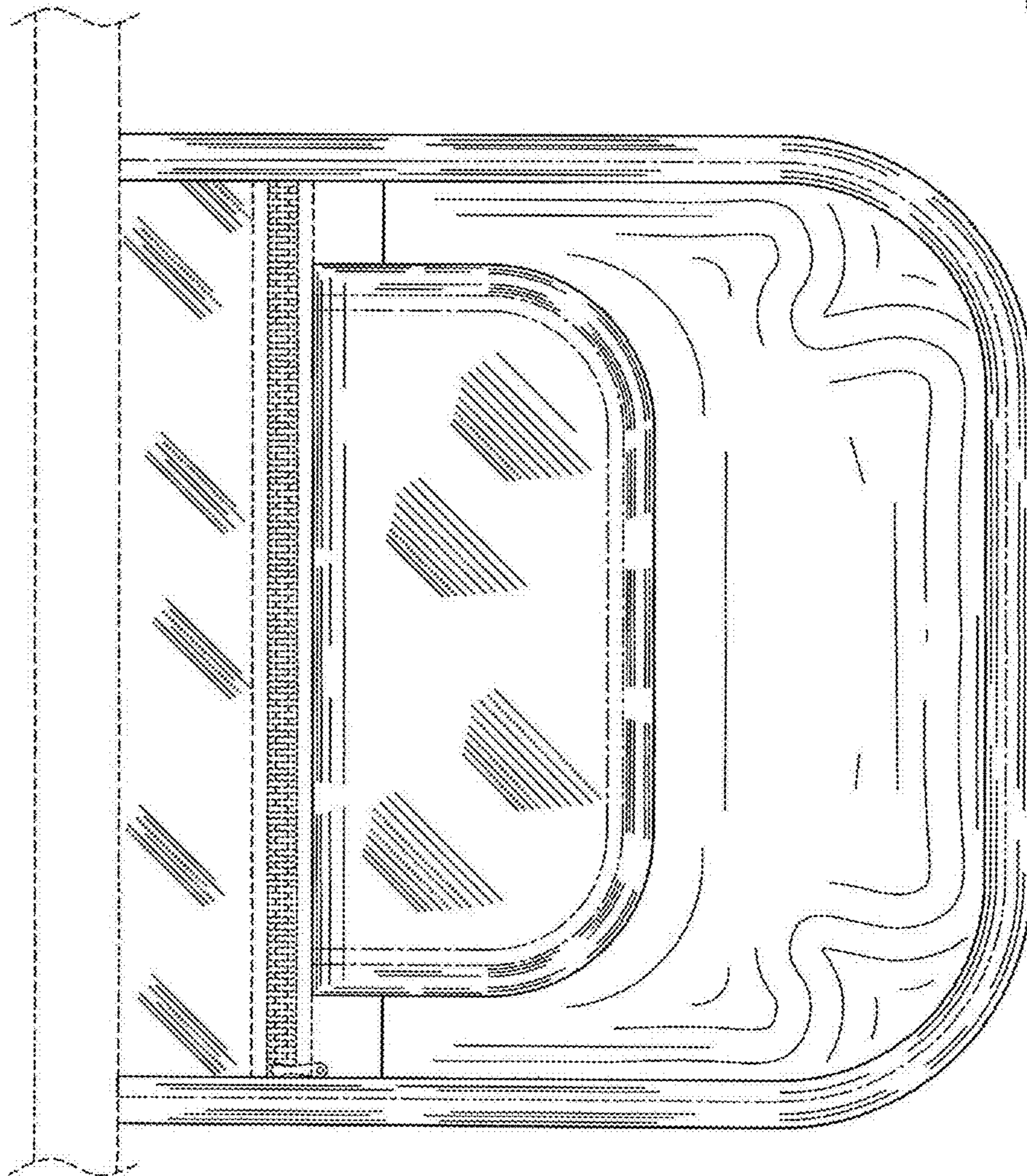


FIG.3

FIG.4

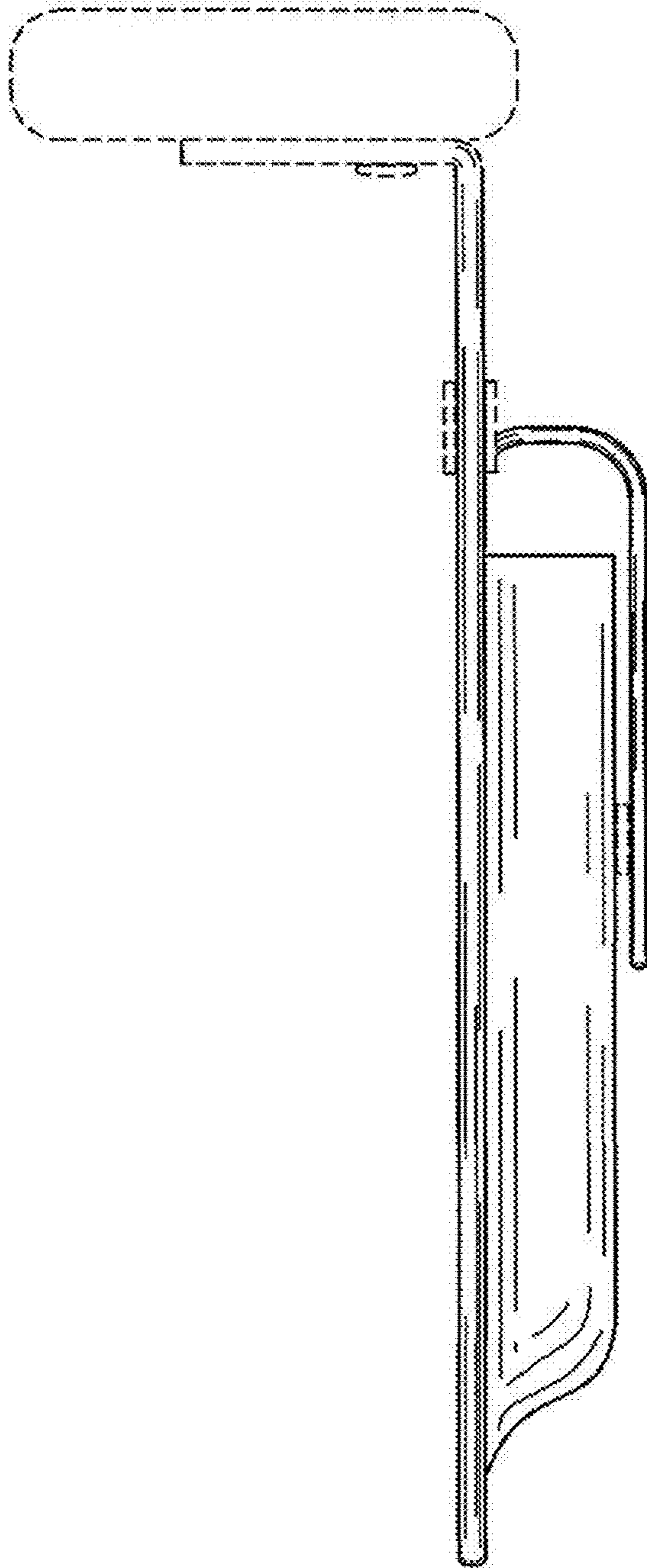
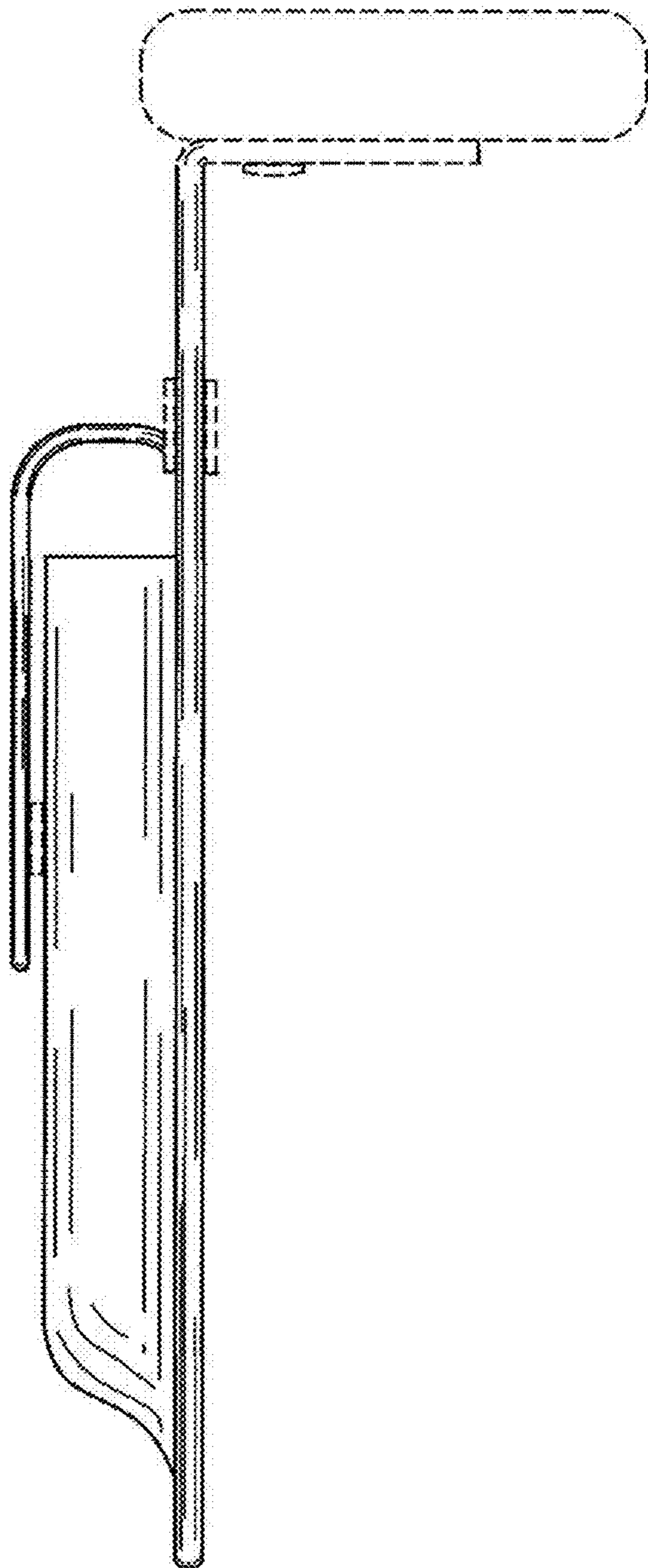


FIG.5



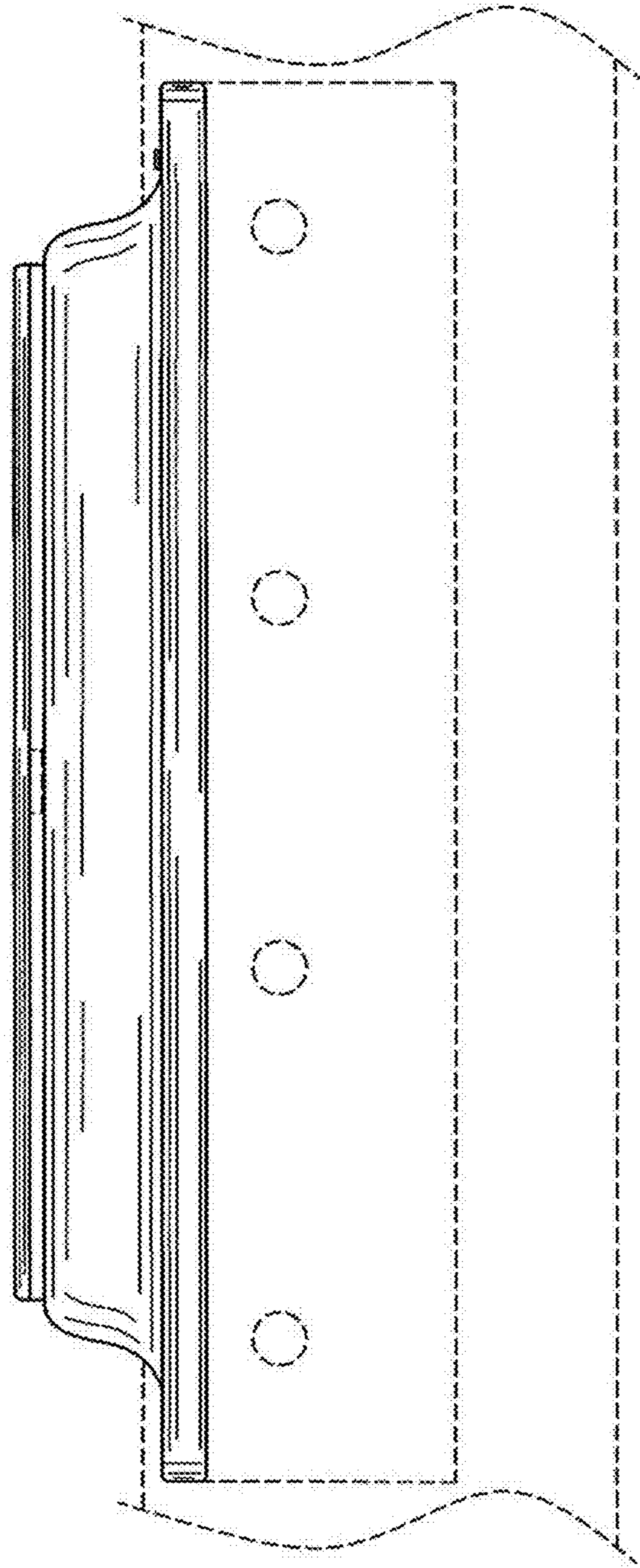


FIG.6



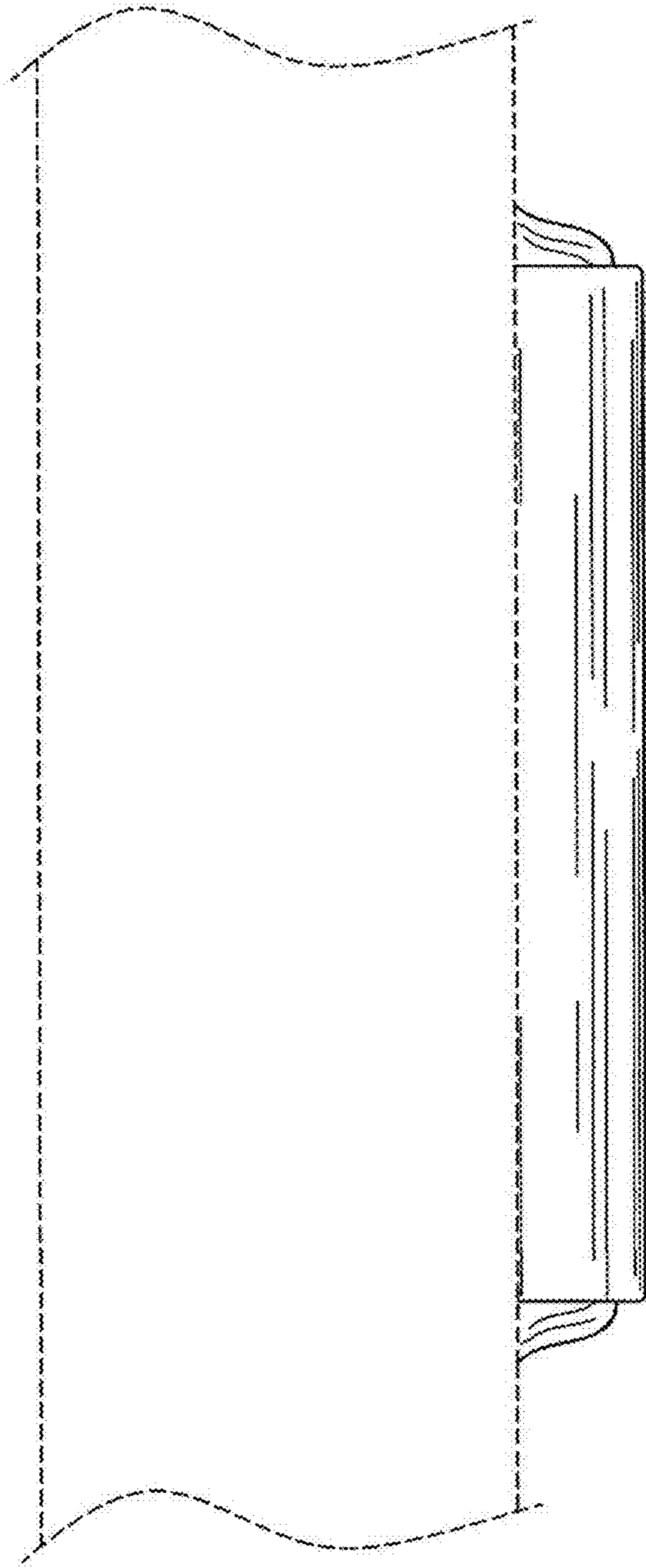


FIG.7