



US00D807639S

(12) **United States Design Patent**
Peng et al.

(10) **Patent No.:** **US D807,639 S**
(45) **Date of Patent:** **** Jan. 16, 2018**

- (54) **CASE**
- (71) Applicant: **SZ DJI Technology Co., Ltd.,**
Shenzhen (CN)
- (72) Inventors: **Hongri Peng, Shenzhen (CN); Chi Wah Cheung, Shenzhen (CN)**
- (73) Assignee: **SZ DJI Technology Co., Ltd.,**
Shenzhen (CN)
- (**) Term: **15 Years**
- (21) Appl. No.: **29/561,446**
- (22) Filed: **Apr. 15, 2016**
- (51) **LOC (11) Cl.** **03-01**
- (52) **U.S. Cl.**
USPC **D3/281**
- (58) **Field of Classification Search**
USPC D3/201, 203.1, 203.6, 203.7, 205, 206,
D3/232, 242, 273, 276, 272, 285, 286,
D3/289, 290, 292, 294, 301, 244, 245,
D3/246, 231, 302, 243, 216, 217, 262,
D3/900, 901, 902, 903, 904, 905, 281,
D3/265; D6/629; D14/374; D16/234;
D99/28
CPC .. A45C 3/00; A45C 3/001; A45C 3/02; A45C
5/03; A45C 2005/032; A45C 2005/035;
A45C 2005/037; A45C 2011/002; A45C
2011/003; G06F 1/1628
See application file for complete search history.

- 5,226,540 A * 7/1993 Bradbury G06F 1/1628
206/320
- D358,408 S * 5/1995 McGarry D14/374
- D435,967 S * 1/2001 Tiramani D3/273
- D496,585 S * 9/2004 McBride D3/294
- D555,900 S * 11/2007 Pippin D3/265
- D561,994 S * 2/2008 Peart D3/291
- D561,995 S * 2/2008 Poole D3/294
- D566,484 S * 4/2008 George D3/294
- D617,546 S * 6/2010 Foster D3/203.1
- D672,554 S * 12/2012 Penttinen D3/273
- D732,264 S * 6/2015 Hine D99/28

* cited by examiner

Primary Examiner — Jennifer Rivard
Assistant Examiner — Jerry Shiuan-Hua Hsu
(74) *Attorney, Agent, or Firm* — Sterne, Kessler,
Goldstein & Fox P.L.L.C.

(57) **CLAIM**

The ornamental design for a case, as shown and described.

DESCRIPTION

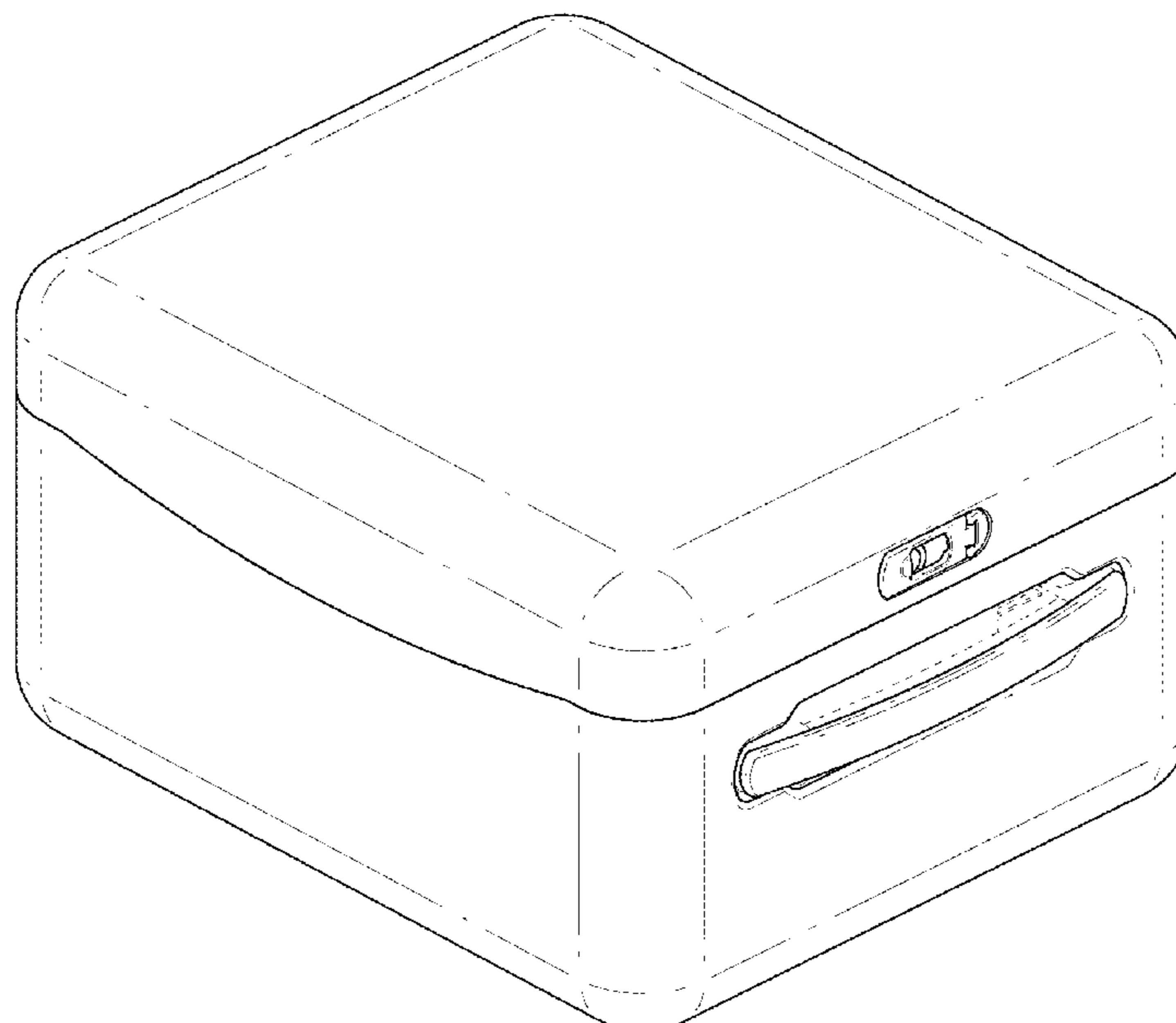
FIG. 1 is a top front perspective view of a case showing the claimed design;
FIG. 2 is a bottom front perspective view thereof;
FIG. 3 is a front view thereof;
FIG. 4 is a rear view thereof;
FIG. 5 is a right side view thereof;
FIG. 6 is a left side view thereof;
FIG. 7 is a top view thereof; and,
FIG. 8 is a bottom view thereof.
The broken lines in the figures show portions of the case that form no part of the claimed design.
The shade lines in the figures show contour and not surface ornamentation.

(56) **References Cited**

U.S. PATENT DOCUMENTS

- D172,780 S * 8/1954 Briskin D16/234
- D289,582 S * 5/1987 Brush, Jr. D3/281

1 Claim, 6 Drawing Sheets



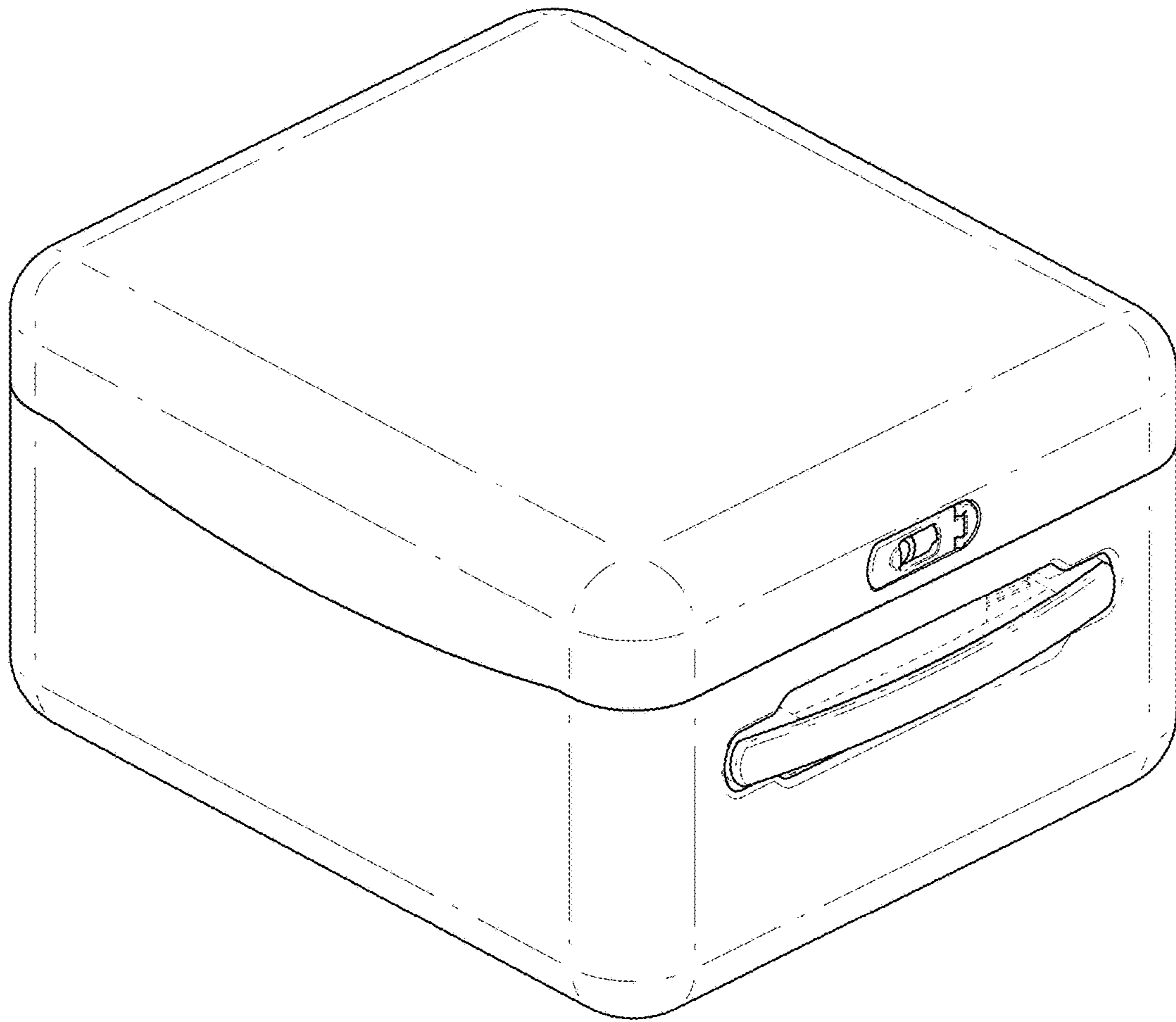


FIG. 1

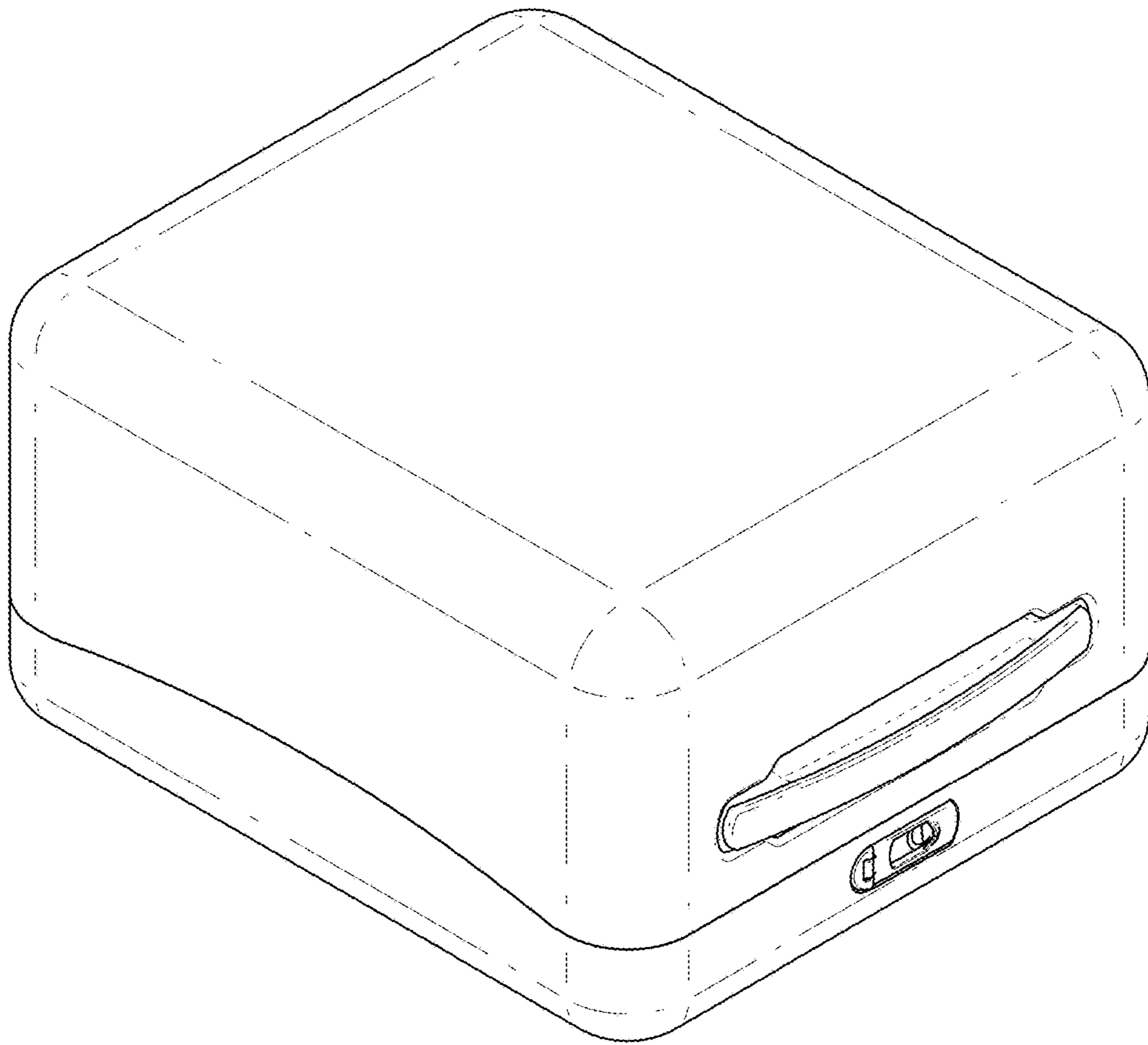


FIG. 2

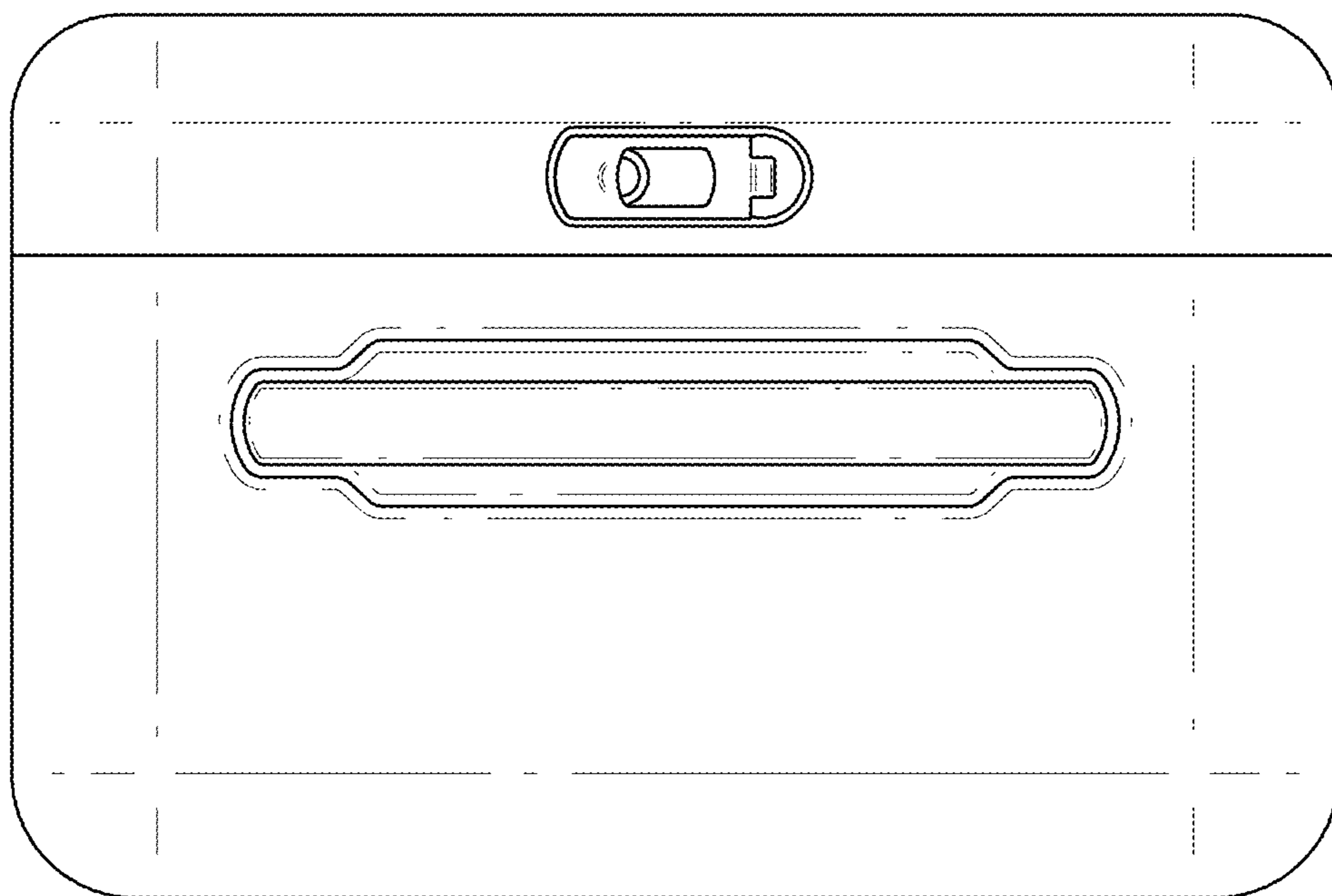


FIG. 3

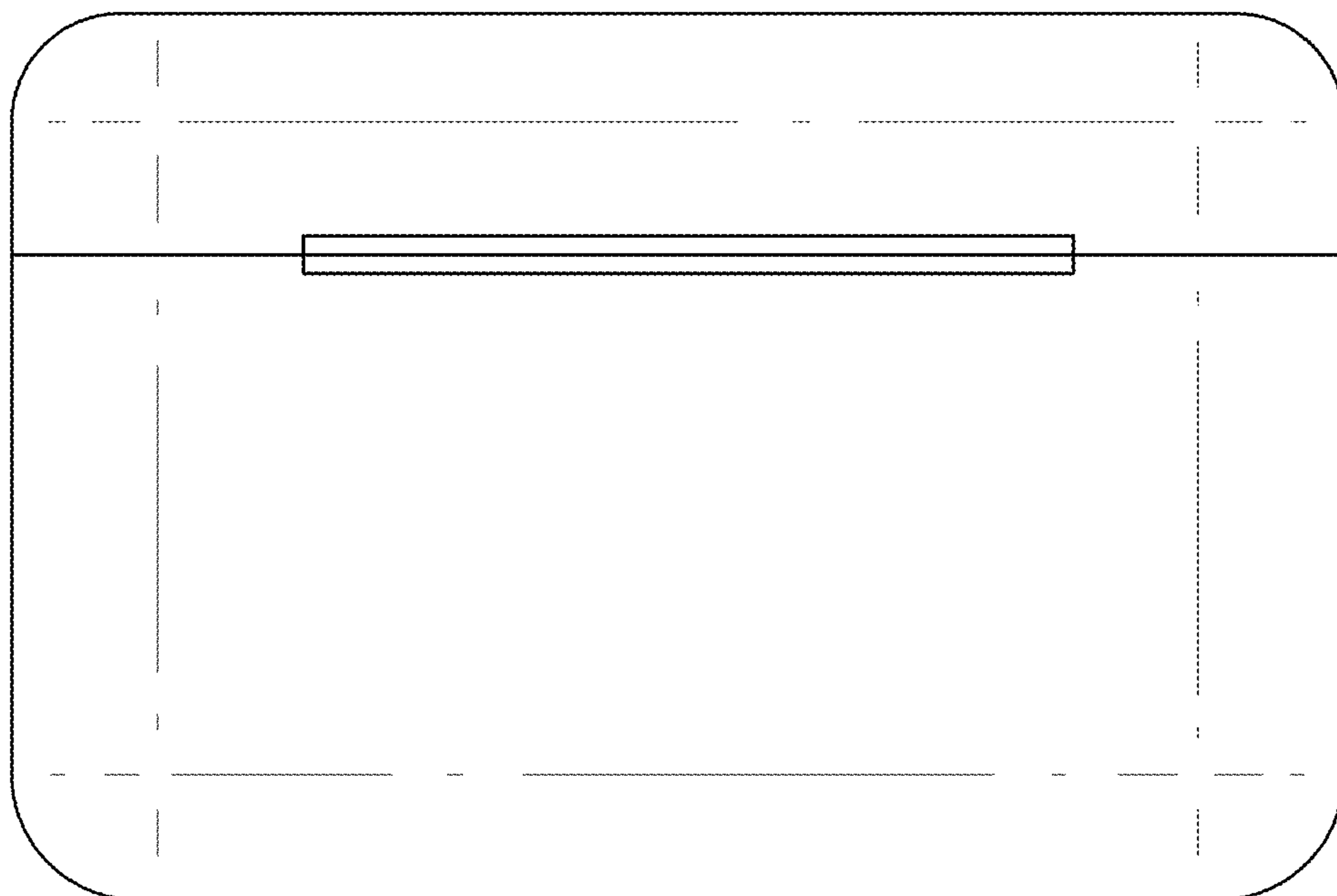


FIG. 4

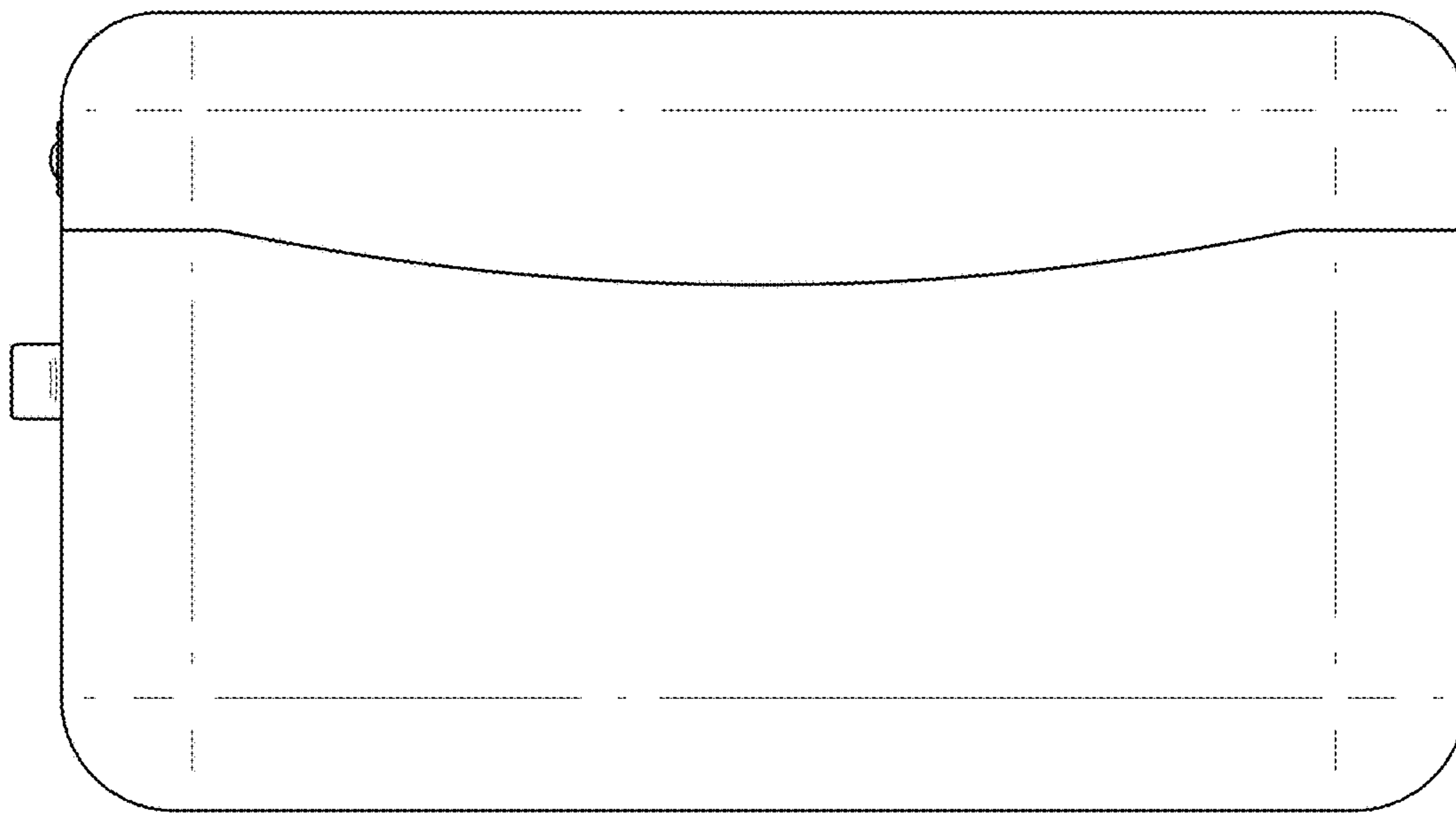


FIG. 5

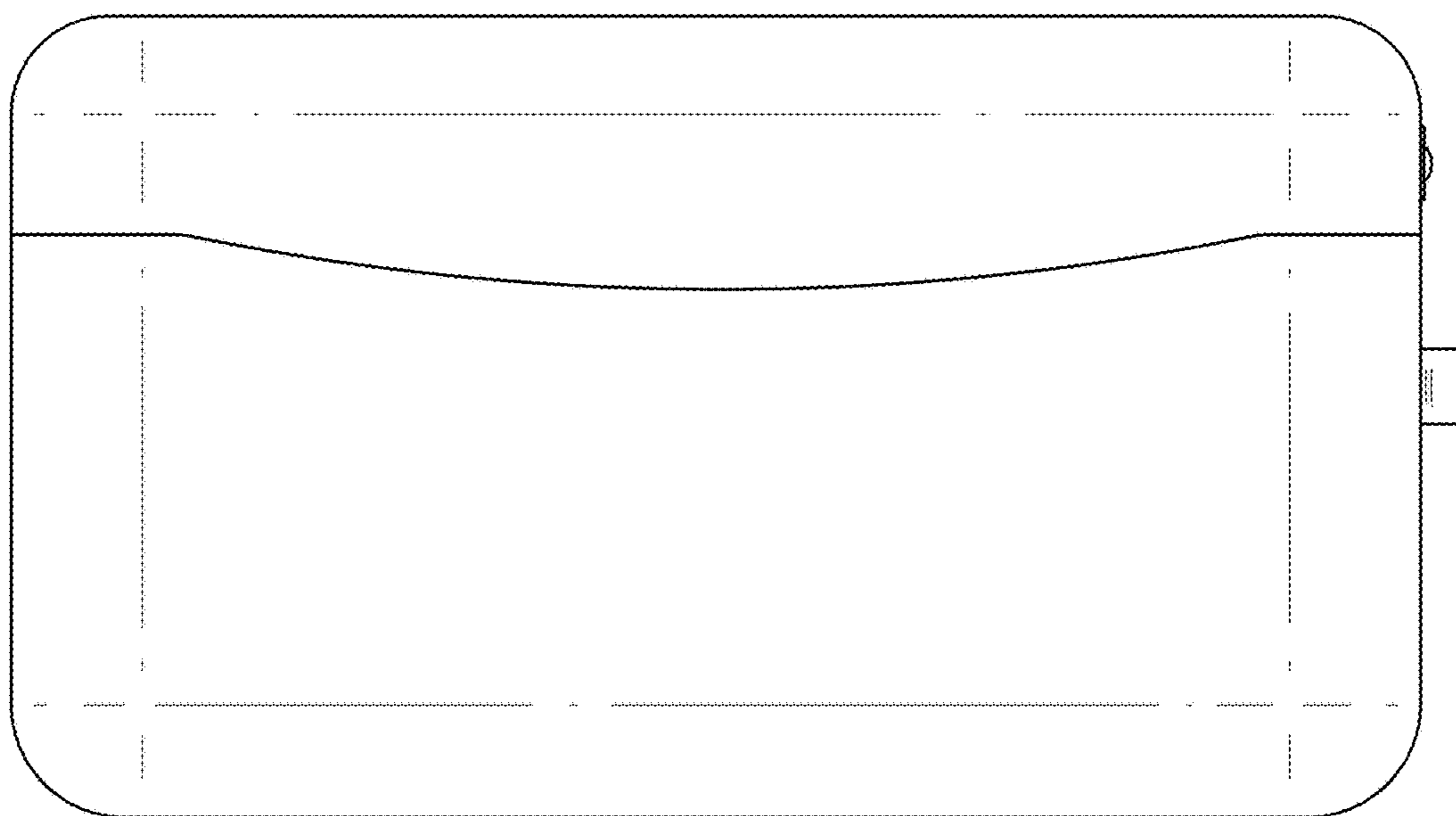


FIG. 6

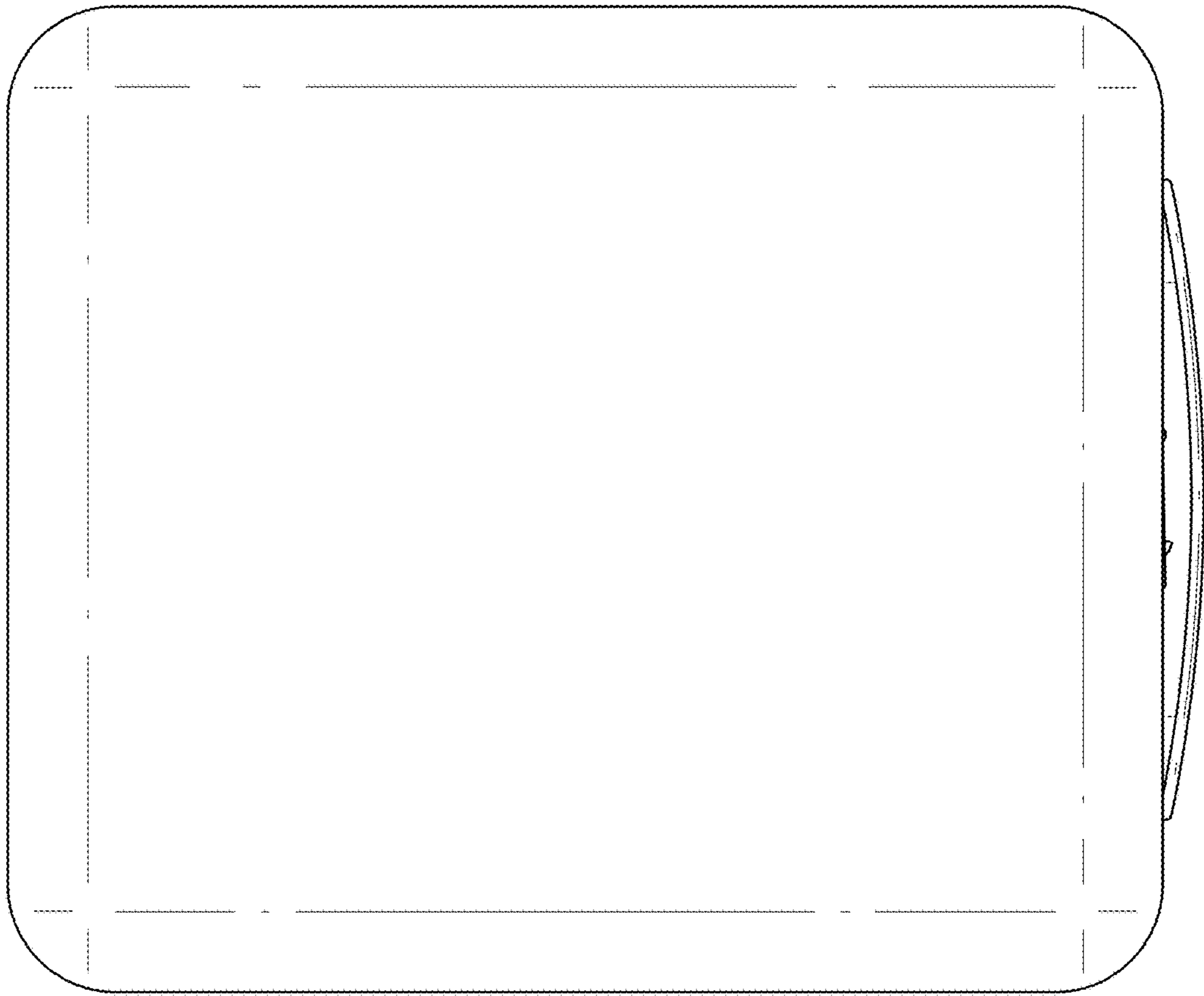


FIG. 7

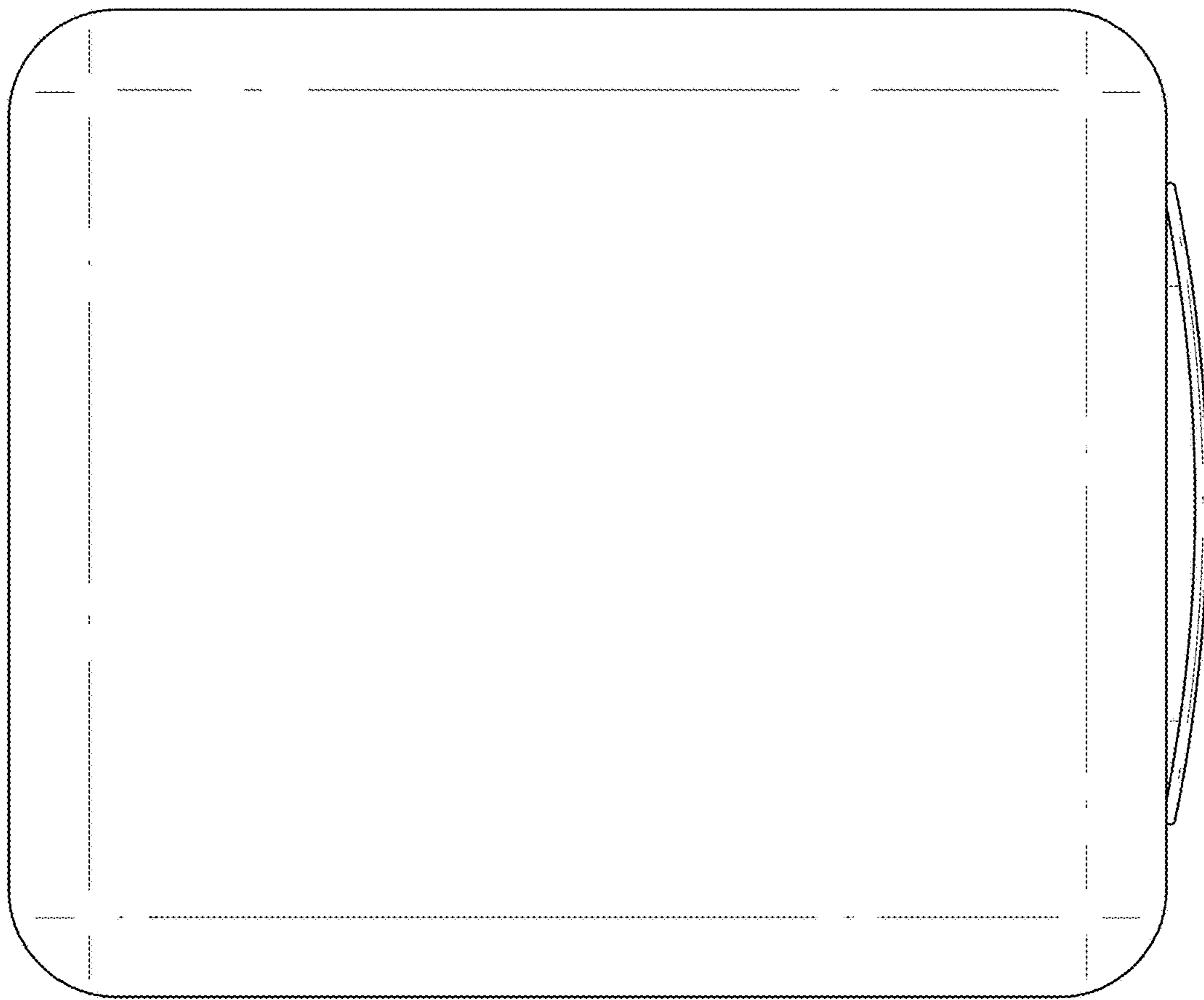


FIG. 8