



US00D807638S

(12) **United States Design Patent** (10) **Patent No.:** **US D807,638 S**
Xu (45) **Date of Patent:** **** Jan. 16, 2018**

(54) **SUITCASE**
 (71) Applicant: **Zhonglang Xu**, Hefei (CN)
 (72) Inventor: **Zhonglang Xu**, Hefei (CN)
 (**) Term: **15 Years**
 (21) Appl. No.: **29/534,998**
 (22) Filed: **Aug. 3, 2015**

(30) **Foreign Application Priority Data**
 May 13, 2015 (CN) 2015 3 0139677
 (51) **LOC (11) Cl.** **03-01**
 (52) **U.S. Cl.**
 USPC **D3/279**; D3/290
 (58) **Field of Classification Search**
 USPC D3/273, 276, 279, 281, 282, 289, 283
 CPC A45C 5/00; A45C 5/03; A45C 2005/037;
 A45C 2005/032; A45C 5/14
 See application file for complete search history.

(56) **References Cited**
 U.S. PATENT DOCUMENTS
 D623,856 S * 9/2010 Pezzini D3/279
 D625,517 S * 10/2010 Rossi D3/272
 D644,435 S * 9/2011 Weng D3/279
 D659,395 S * 5/2012 Sijmons D3/279
 D690,510 S * 10/2013 Fux B62B 1/18
 D711,649 S * 8/2014 Chen D3/279

D714,056 S * 9/2014 Weng D3/279
 D722,771 S * 2/2015 Wu D3/279
 D740,557 S * 10/2015 Liao D3/279
 D740,558 S * 10/2015 Liao D3/279
 D762,977 S * 8/2016 Xu D3/279
 D768,985 S * 10/2016 Morszeck D3/279
 2003/0196860 A1 * 10/2003 Be A45C 5/02
 190/18 A
 2015/0150348 A1 * 6/2015 Wax A45C 5/03
 190/18 A

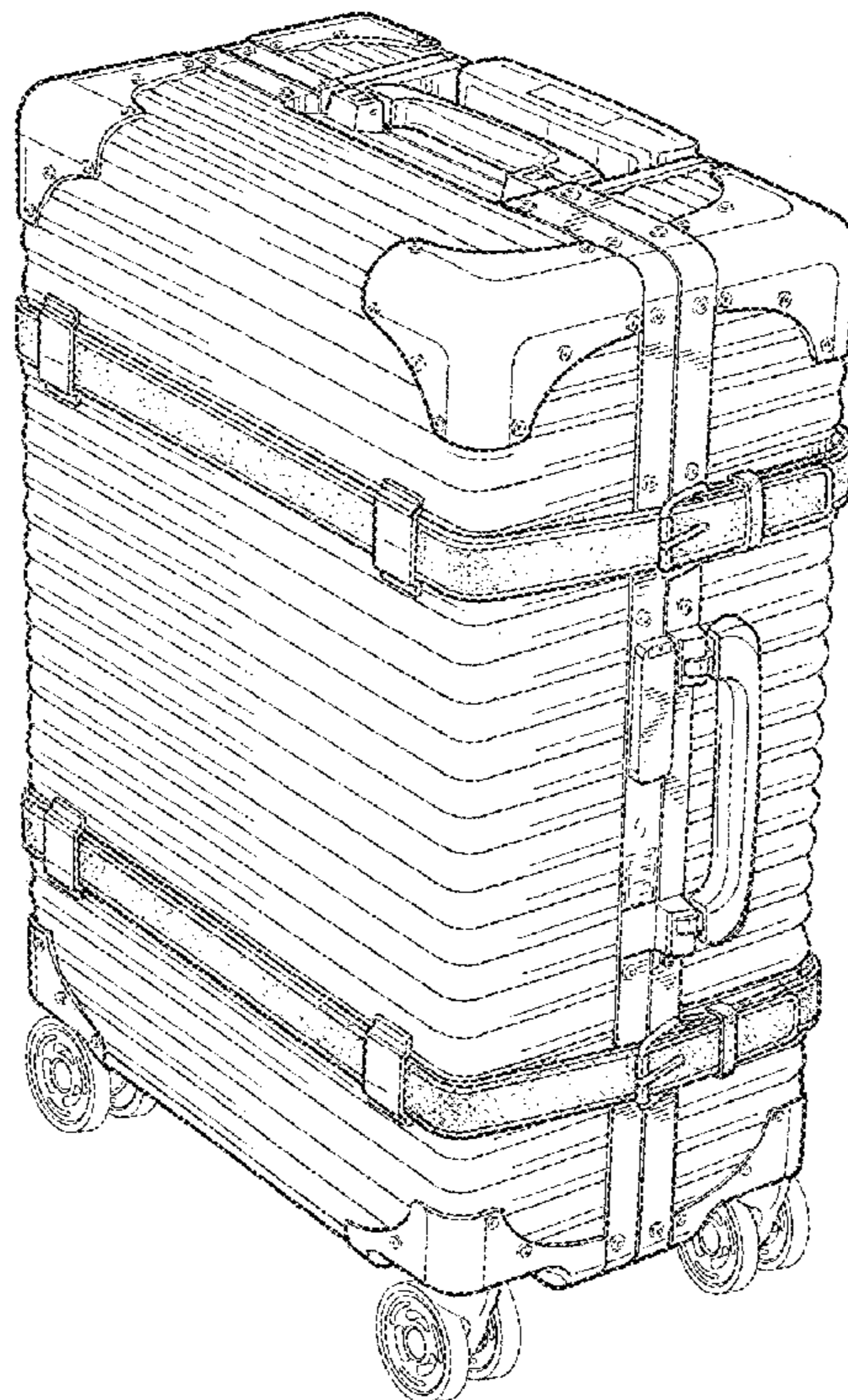
* cited by examiner

Primary Examiner — Jennifer Rivard
Assistant Examiner — April Rivas
 (74) *Attorney, Agent, or Firm* — Morgan, Lewis & Bockius LLP

(57) **CLAIM**
 The ornamental design for a suitcase, as shown and described.

DESCRIPTION
 FIG. 1 is a front perspective view of a suitcase of my new design.
 FIG. 2 is a front view of the suitcase of my new design.
 FIG. 3 is a rear view of the suitcase of my new design.
 FIG. 4 is a left view of the suitcase of my new design.
 FIG. 5 is a right view of the suitcase of my new design.
 FIG. 6 is a top view of the suitcase of my new design; and,
 FIG. 7 is a bottom view of the suitcase of my new design.
 The broken lines illustrate portions of the suitcase and form no part of the claimed design.

1 Claim, 7 Drawing Sheets



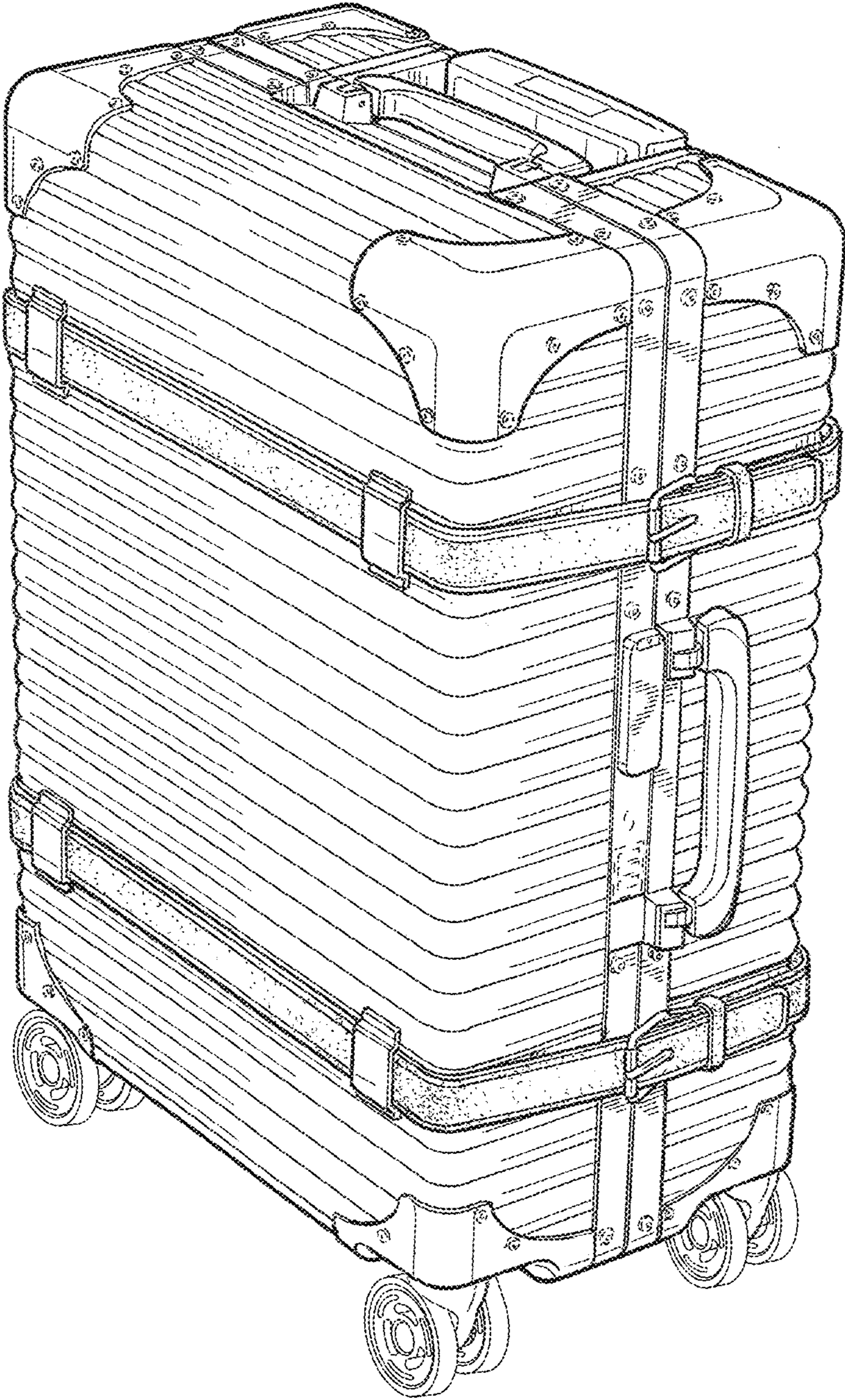


FIG. 1

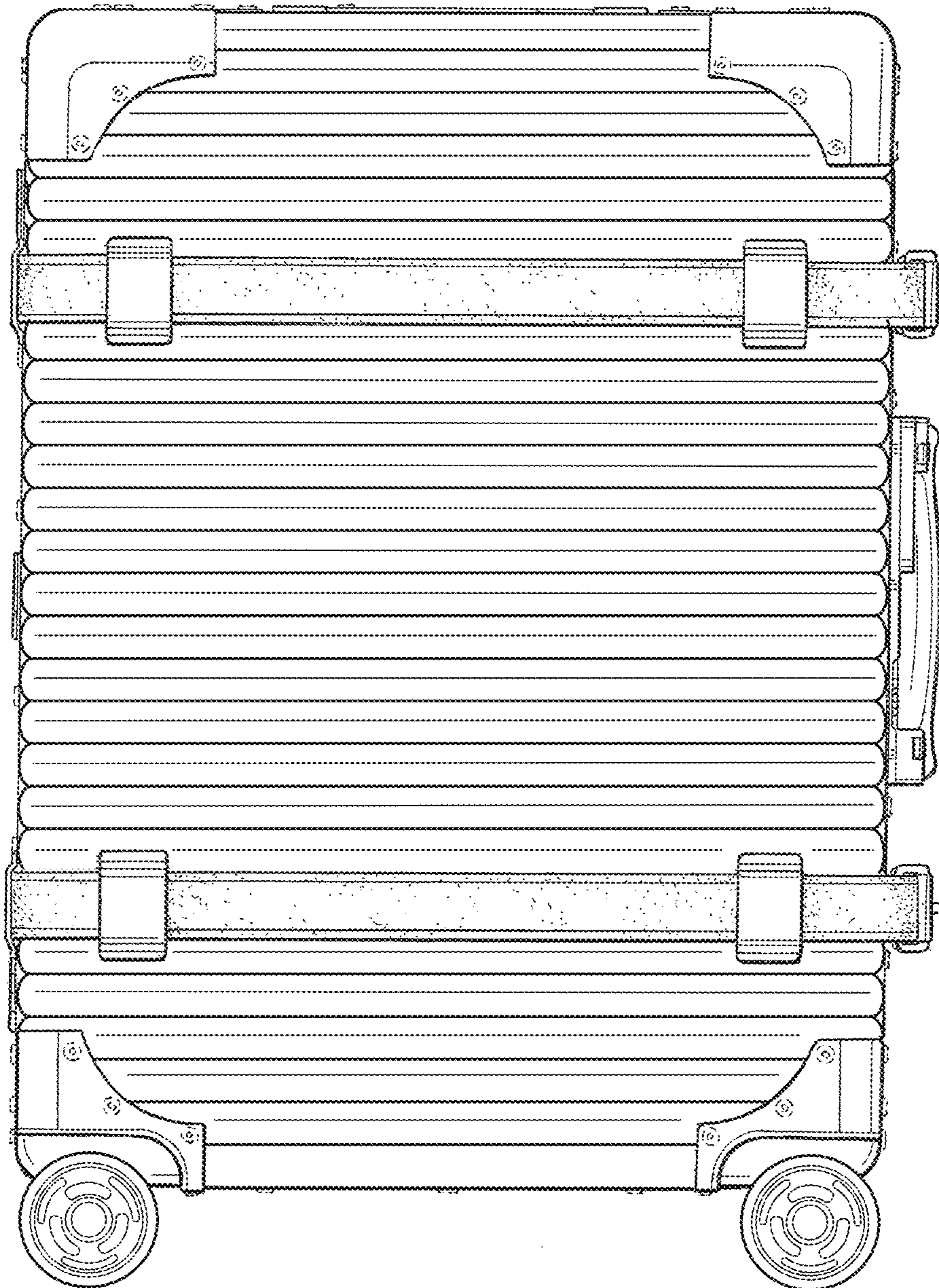


FIG. 2

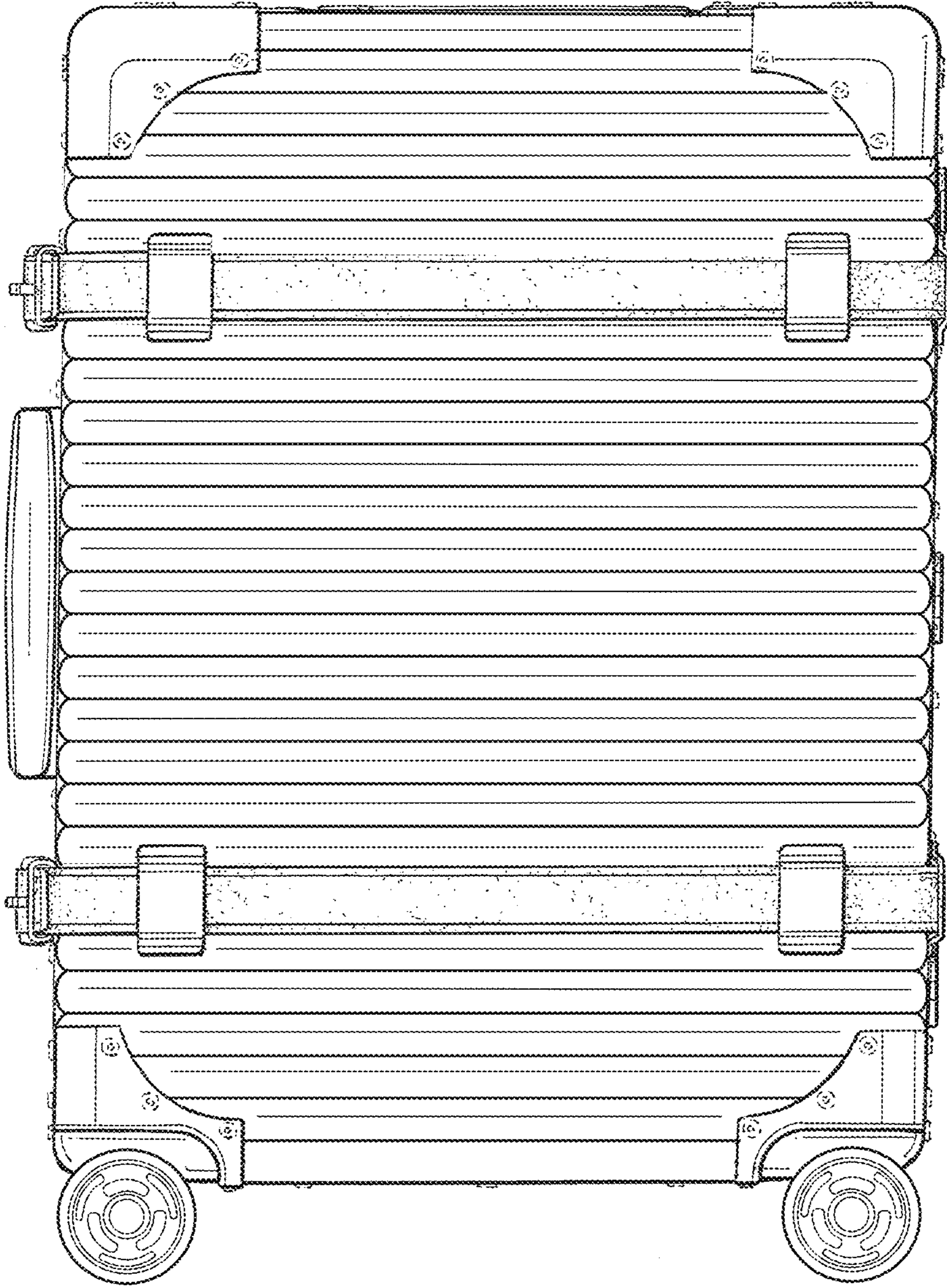


FIG. 3

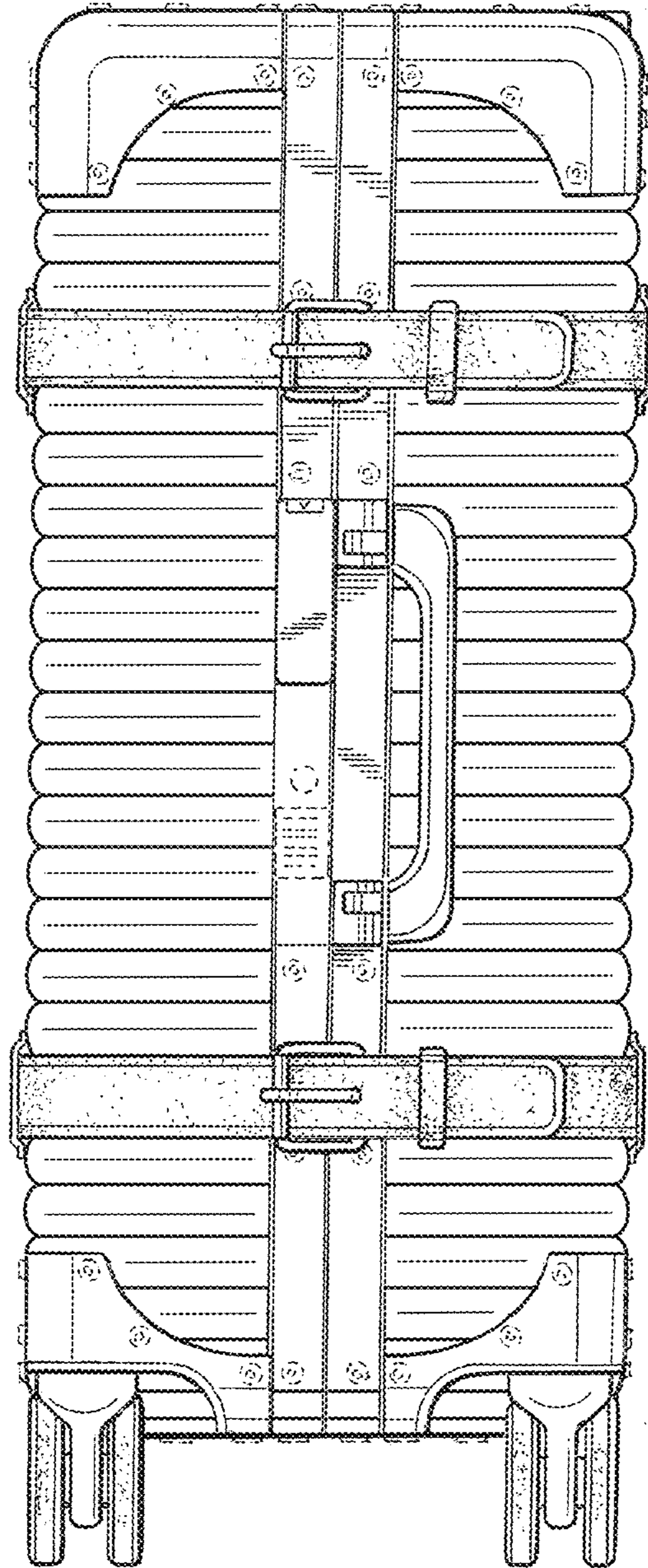


FIG. 4

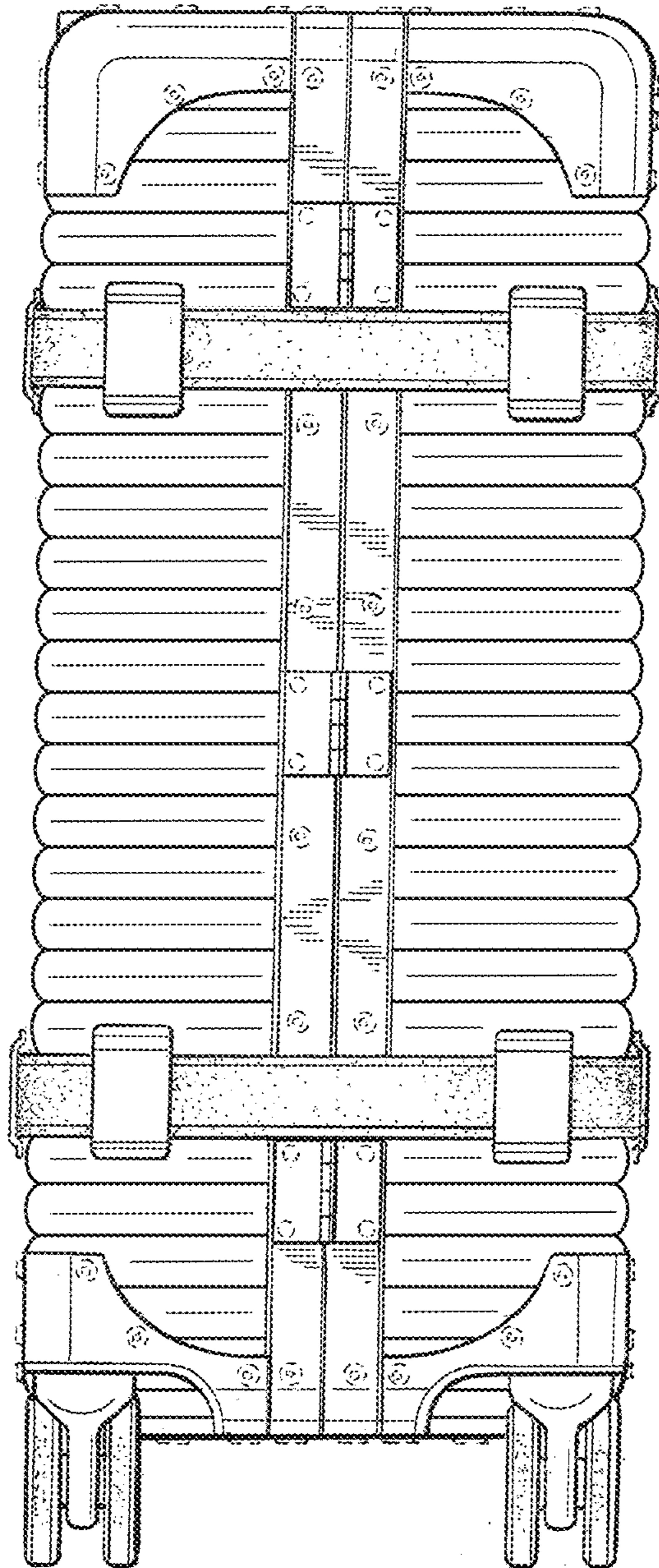


FIG. 5

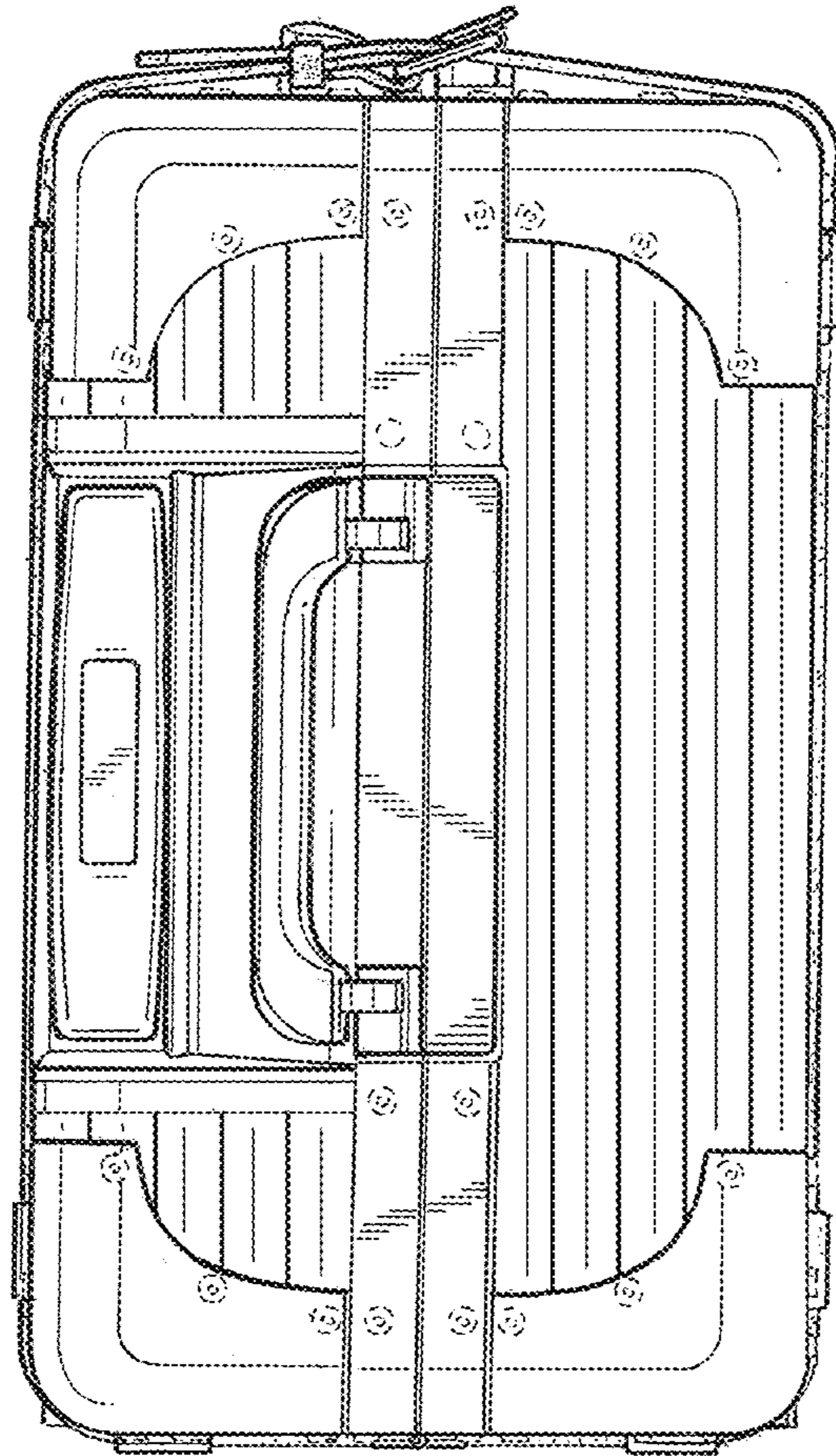


FIG. 6

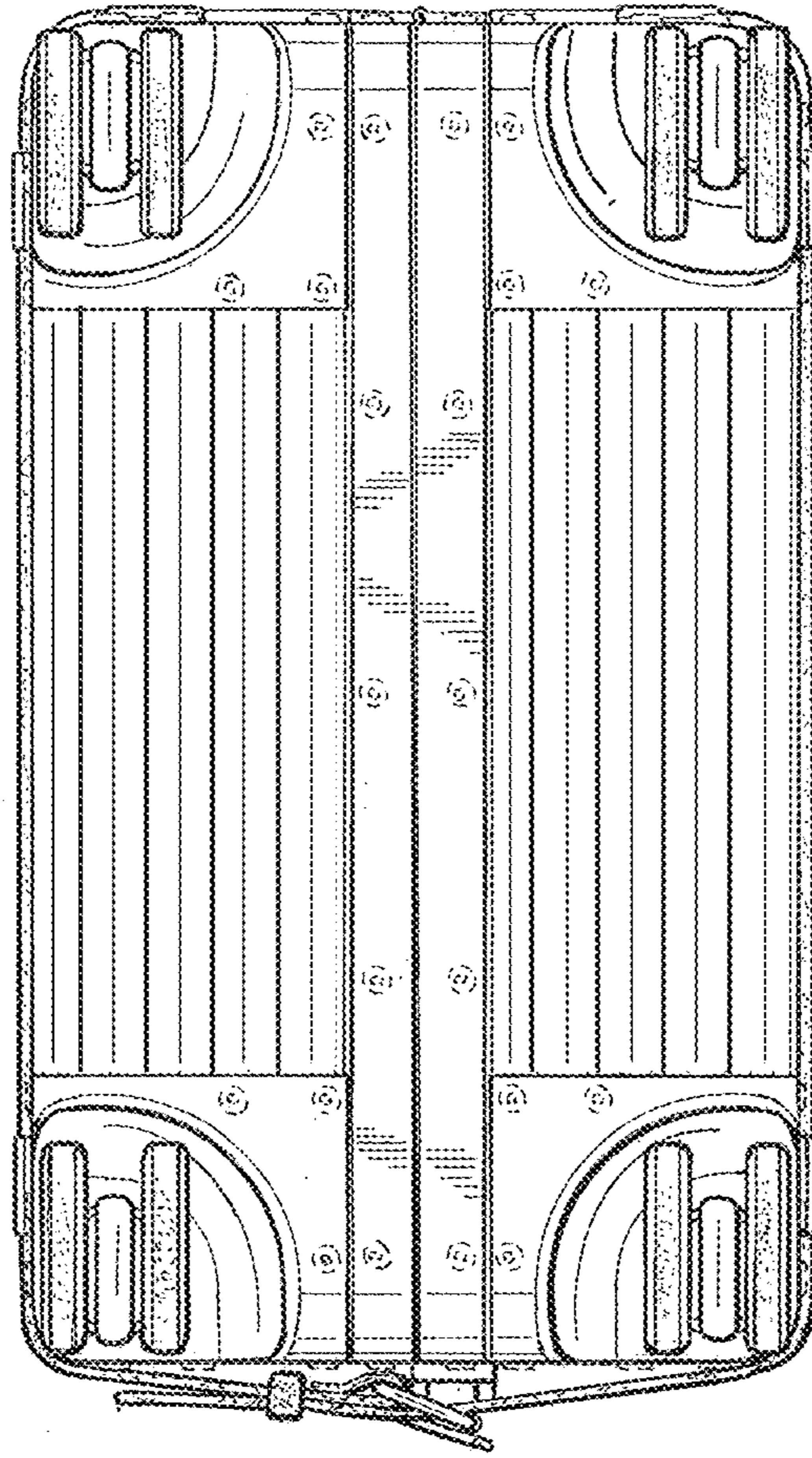


FIG. 7