



US00D807636S

(12) **United States Design Patent**
Chamberlain et al.

(10) **Patent No.:** **US D807,636 S**
(45) **Date of Patent:** **** Jan. 16, 2018**

(54) **LOOPED WALLET**

DESCRIPTION

- (71) Applicant: **Loop Wallet LLC**, Burbank, CA (US)
 - (72) Inventors: **Doug Howard Chamberlain**, Burbank, CA (US); **David John Franco**, Los Angeles, CA (US)
 - (73) Assignee: **Loop Wallet LLC**, Burbank, CA (US)
 - (**) Term: **15 Years**
 - (21) Appl. No.: **29/554,641**
 - (22) Filed: **Feb. 12, 2016**
 - (51) **LOC (11) Cl.** **03-01**
 - (52) **U.S. Cl.**
USPC **D3/247**
 - (58) **Field of Classification Search**
USPC **D3/247, 249–253**
- (Continued)

(56) **References Cited**

U.S. PATENT DOCUMENTS

- D384,499 S * 10/1997 Gaestel D3/247
 - D690,931 S * 10/2013 Minn D3/247
- (Continued)

OTHER PUBLICATIONS

“Thread Wallets—Home Page”, Thread Wallets, Sep. 25, 2015, Retrieved from: <https://web.archive.org/web/20160112095952/http://threadwallets.com/>, 3 pgs.

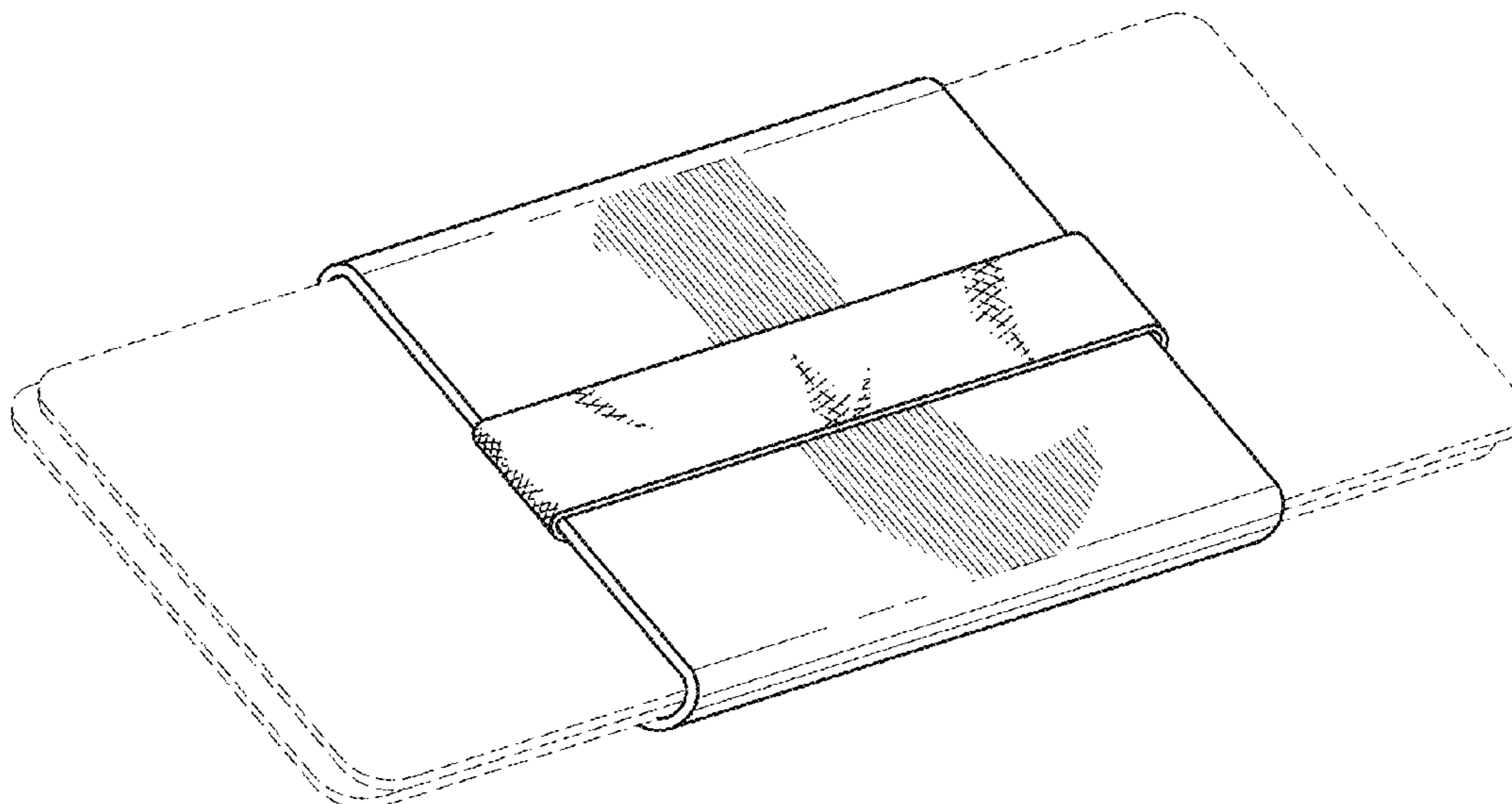
Primary Examiner — Holly Baynham
(74) *Attorney, Agent, or Firm* — KPPB LLP

(57) **CLAIM**

The ornamental design of a looped wallet, as shown and described.

FIG. 1 shows a front perspective view of applicant’s design of a first embodiment of a looped wallet.
 FIG. 2 shows a top plan view of applicant’s design of the first embodiment of the looped wallet of FIG. 1.
 FIG. 3 shows a bottom plan view of applicant’s design of the first embodiment of the looped wallet of FIG. 1.
 FIG. 4 shows a left end elevational view of applicant’s design of the first embodiment of the looped wallet of FIG. 1.
 FIG. 5 shows a right end elevational view of applicant’s design of the first embodiment of the looped wallet of FIG. 1.
 FIG. 6 shows a frontal elevational view of applicant’s design of the first embodiment of the looped wallet of FIG. 1.
 FIG. 7 shows a rear elevational view of applicant’s design of the first embodiment of the looped wallet of FIG. 1.
 FIG. 8 shows a front perspective view of applicant’s design of a second embodiment of a looped wallet.
 FIG. 9 shows a top plan view of applicant’s design of the second embodiment of the looped wallet of FIG. 8.
 FIG. 10 shows a bottom plan view of applicant’s design of the second embodiment of the looped wallet of FIG. 8.
 FIG. 11 shows a left end elevational view of applicant’s design of the second embodiment of the looped wallet of FIG. 8.
 FIG. 12 shows a right end elevational view of applicant’s design of the second embodiment of the looped wallet of FIG. 8.
 FIG. 13 shows a frontal elevational view of applicant’s design of the second embodiment of the looped wallet of FIG. 8; and,
 FIG. 14 shows a rear elevational view of applicant’s design of the second embodiment of the looped wallet of FIG. 8.
 The features shown in broken lines form no part of the claimed design. The broken lines are for unclaimed environment or boundaries that form no part of the claimed design.

1 Claim, 4 Drawing Sheets



(58) **Field of Classification Search**

CPC A45C 1/06; A45C 3/08
See application file for complete search history.

(56) **References Cited**

U.S. PATENT DOCUMENTS

D695,013	S	*	12/2013	Minn	D3/247
D701,043	S	*	3/2014	Minn	D3/247
D714,050	S	*	9/2014	Crabtree	D3/247
D716,043	S	*	10/2014	Wilk	D3/247
D718,525	S	*	12/2014	Kim	D3/247
D735,989	S	*	8/2015	Crabtree	D3/247
D745,274	S	*	12/2015	Minn	D3/247
D768,382	S	*	10/2016	Wu	D3/247
D768,383	S	*	10/2016	Wu	D3/247

* cited by examiner

FIG. 1

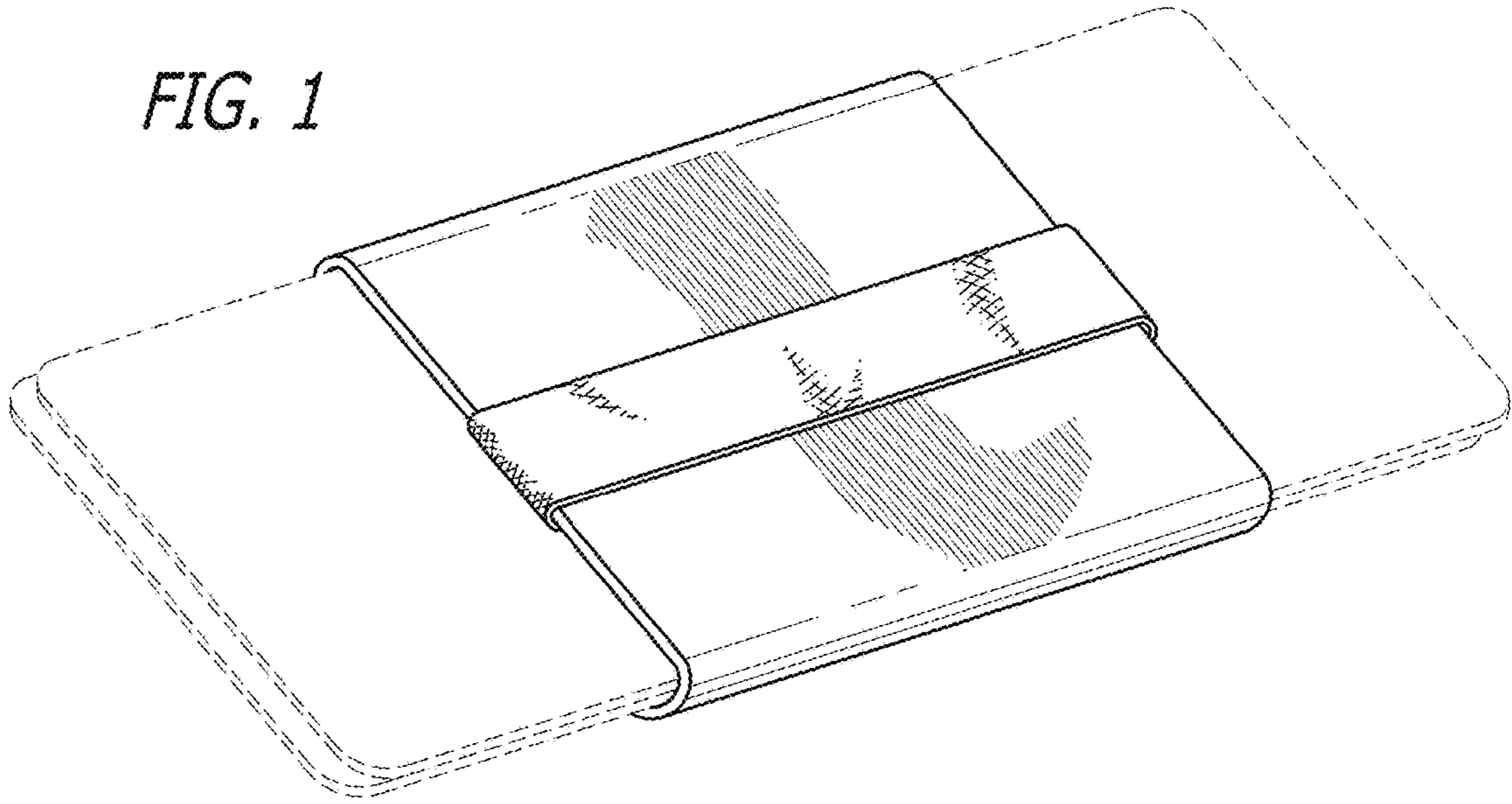


FIG. 2

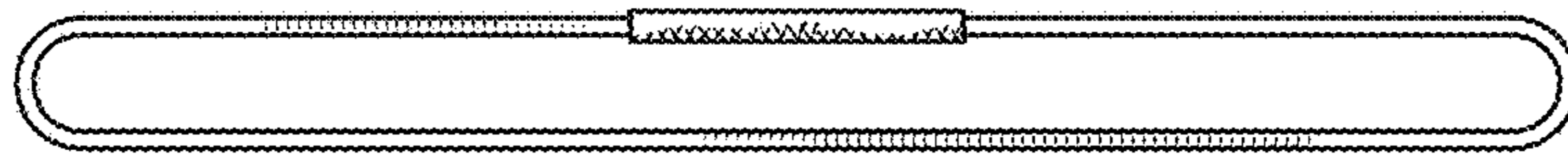


FIG. 3



FIG. 4



FIG. 5

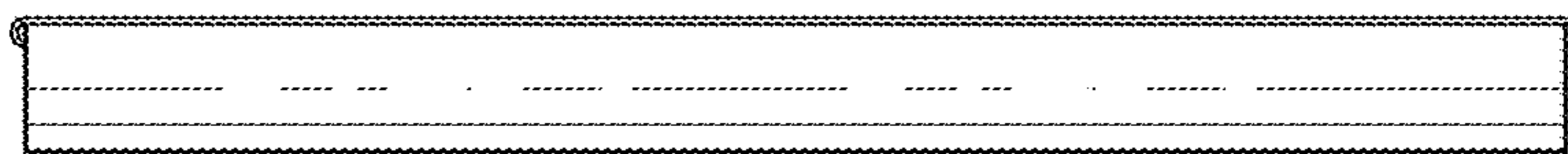


FIG. 6

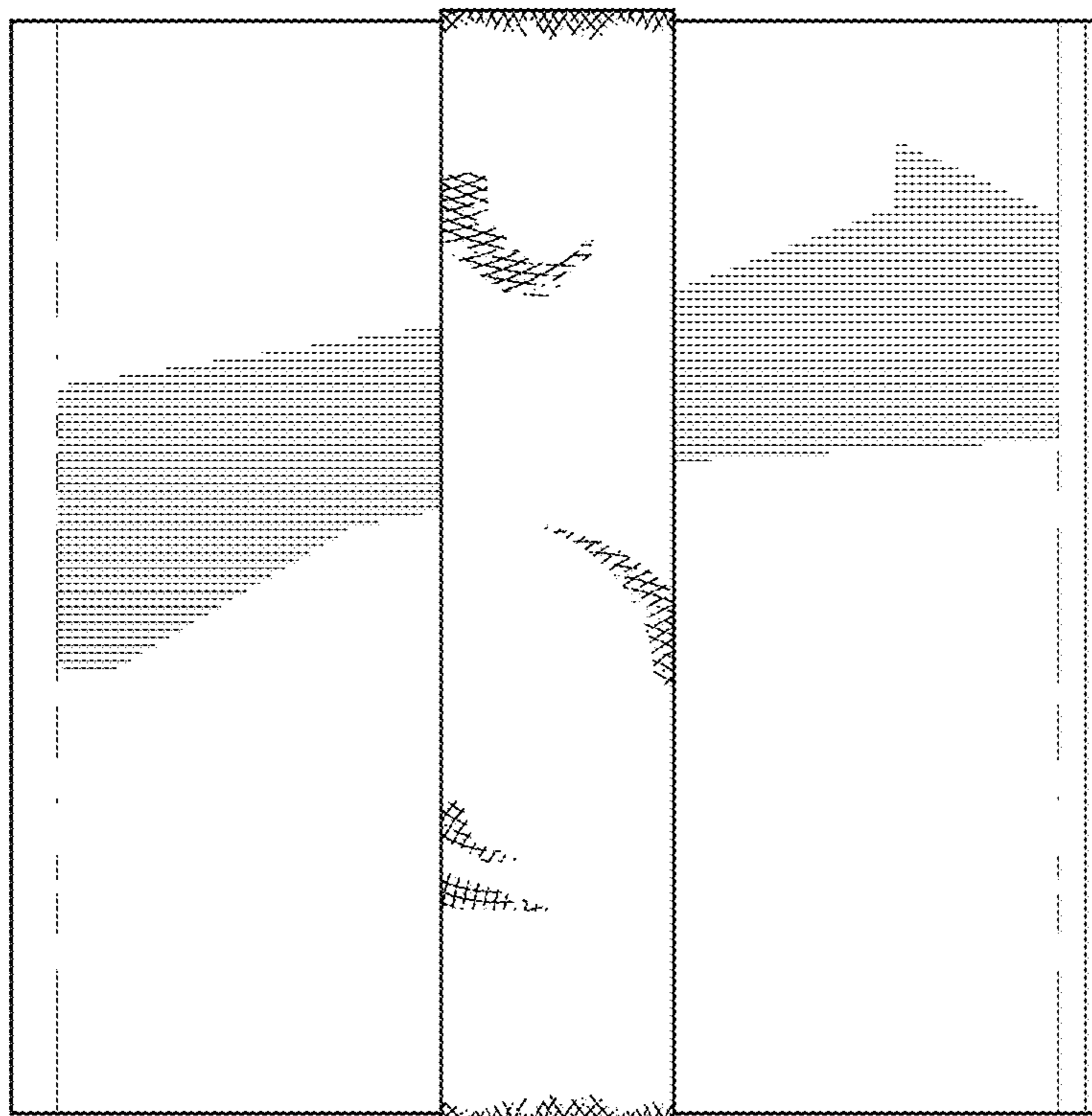


FIG. 7

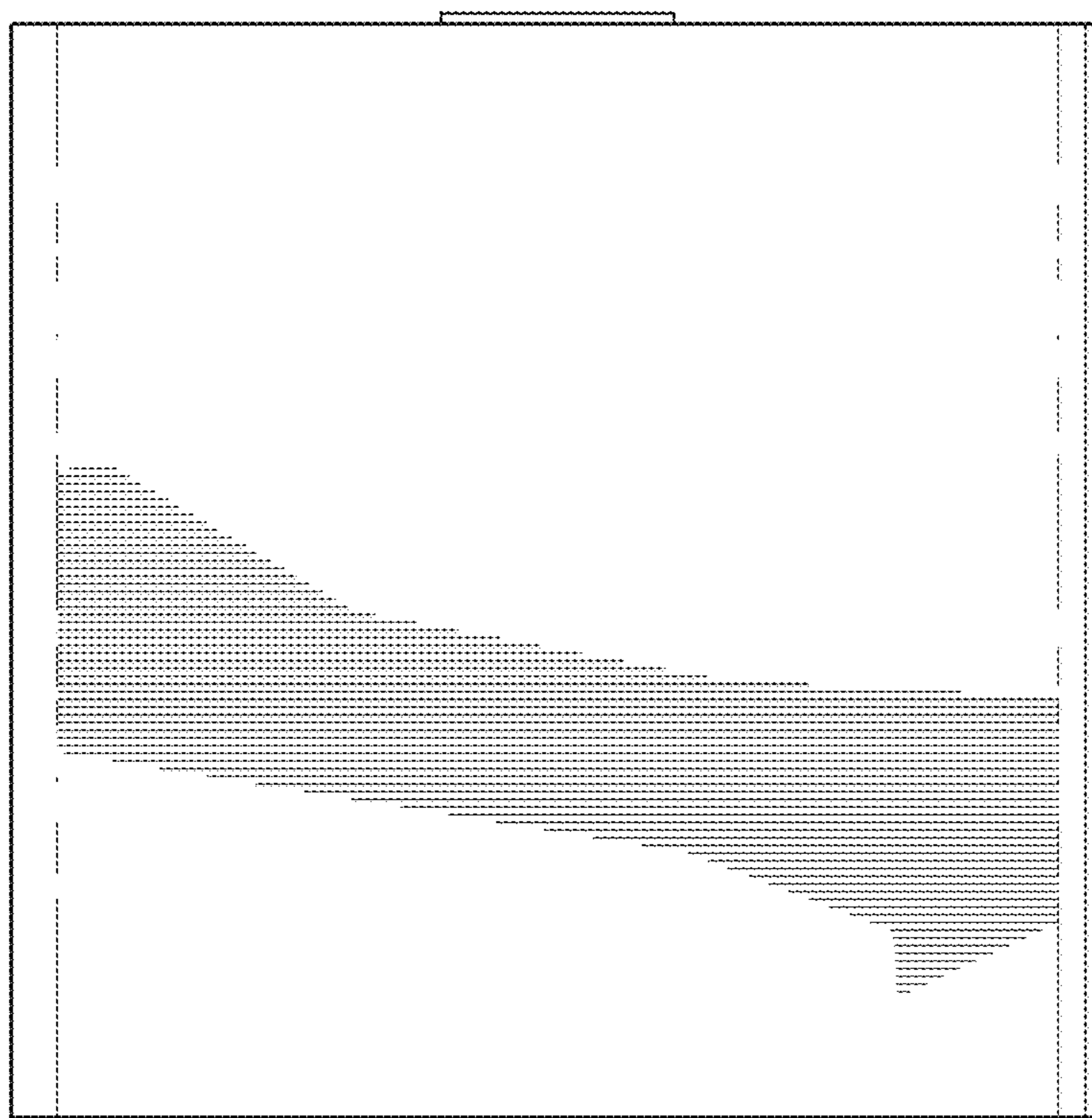


FIG. 8

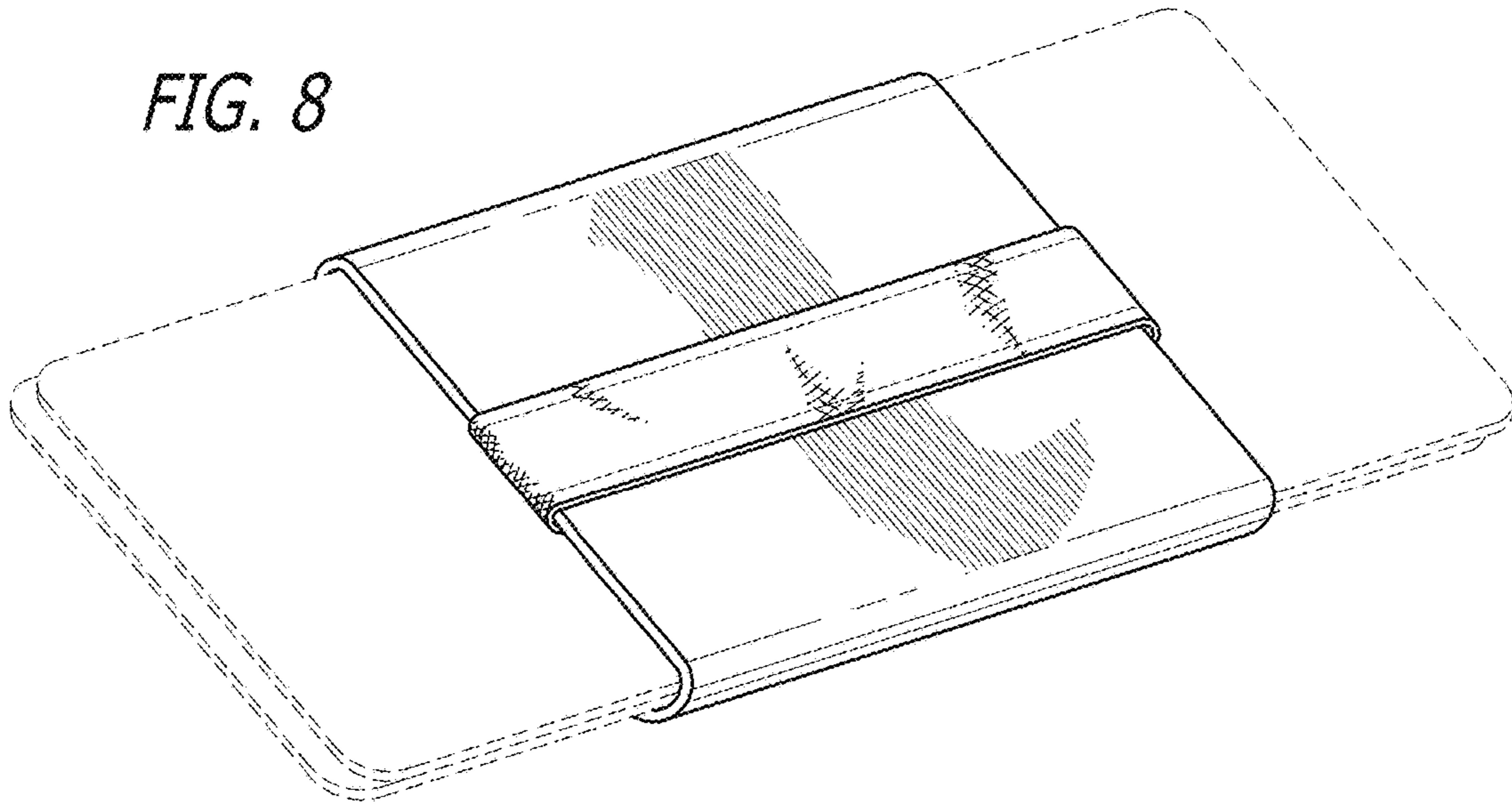


FIG. 9

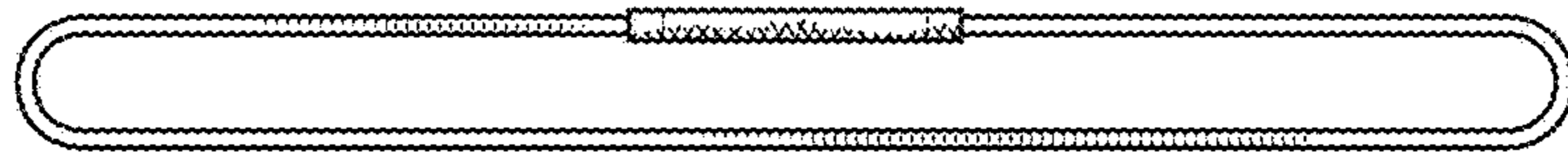


FIG. 10

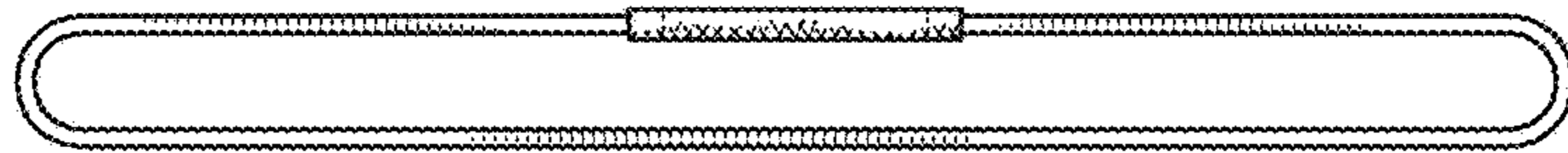


FIG. 11

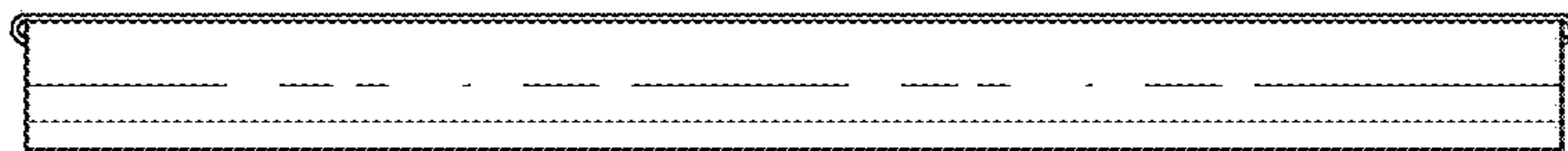


FIG. 12

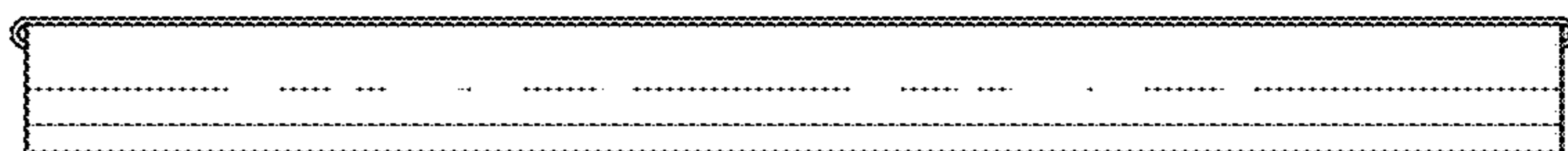


FIG. 13



FIG. 14

