



US00D807635S

(12) **United States Design Patent**  
**Clover et al.**

(10) **Patent No.:** **US D807,635 S**  
(45) **Date of Patent:** **\*\* Jan. 16, 2018**

(54) **COMMUNICATION AND SENSOR HUB ARM BAND**

D519,731 S \* 5/2006 Andre ..... D3/218  
D571,372 S 6/2008 Brefka  
7,920,905 B2 \* 4/2011 Bury ..... B60R 11/0241  
379/445  
8,979,060 B1 \* 3/2015 Olsson ..... F16M 11/041  
248/309.1  
D762,971 S \* 8/2016 Gronewoller ..... D3/218  
D781,050 S \* 3/2017 Abreu ..... D3/218  
2010/0315228 A1 12/2010 Grilliot

(71) Applicant: **3M INNOVATIVE PROPERTIES COMPANY**, St. Paul, MN (US)

(72) Inventors: **Kristopher W. Clover**, Minnetonka, MN (US); **Steven T. Awiszus**, Woodbury, MN (US)

(73) Assignee: **3M INNOVATIVE PROPERTIES COMPANY**, St. Paul, MN (US)

(\*\*) Term: **15 Years**

(21) Appl. No.: **29/572,120**

(22) Filed: **Jul. 25, 2016**

(51) **LOC (11) Cl.** ..... **03-01**

(52) **U.S. Cl.**  
USPC ..... **D3/218**

(58) **Field of Classification Search**  
USPC ..... D3/218-219, 215, 201, 224, 226, 228, D3/269, 301, 303; 206/305, 320; 379/455, 446; 455/569.1, 557, 455/575.1-575.8; D14/252-253; 248/311.2, 309.1, 634, 682  
CPC .... A45F 5/00; A45F 5/02; A45F 5/021; A45F 2200/0516; A45F 2200/0525; B60R 11/0241; H04M 1/04; H04M 1/6075; F16M 11/041

See application file for complete search history.

(56) **References Cited**

**U.S. PATENT DOCUMENTS**

D280,146 S \* 8/1985 Liataud ..... D3/218  
5,898,775 A \* 4/1999 Niemo ..... B60R 11/0241  
379/446

\* cited by examiner

*Primary Examiner* — Catherine R Oliver-Garcia

(57) **CLAIM**

The ornamental design for a communication and sensor hub arm band, as shown and described.

**DESCRIPTION**

FIG. 1 is a perspective view showing the new design for a communication and sensor hub arm band. As shown, the communication and sensor hub arm band is oriented vertically;

FIG. 2 is a front view thereof;

FIG. 3 is a rear view thereof;

FIG. 4 is a side view thereof;

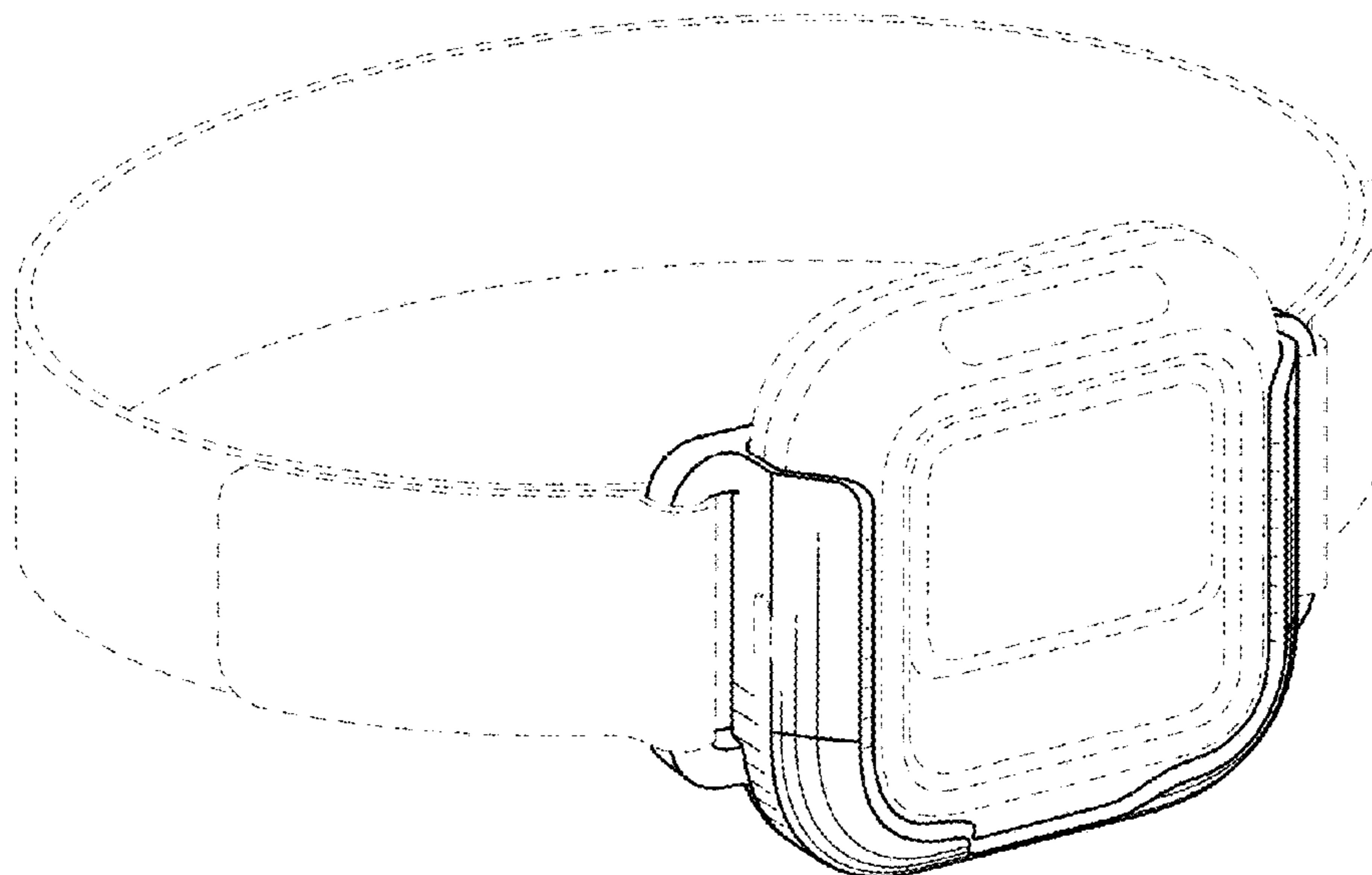
FIG. 5 is a top view thereof;

FIG. 6 is a bottom view thereof; and,

FIG. 7 is a perspective view thereof, shown in use.

The broken lines depict environment and are included for the purpose of illustrating only and form no part of the claimed design.

**1 Claim, 3 Drawing Sheets**



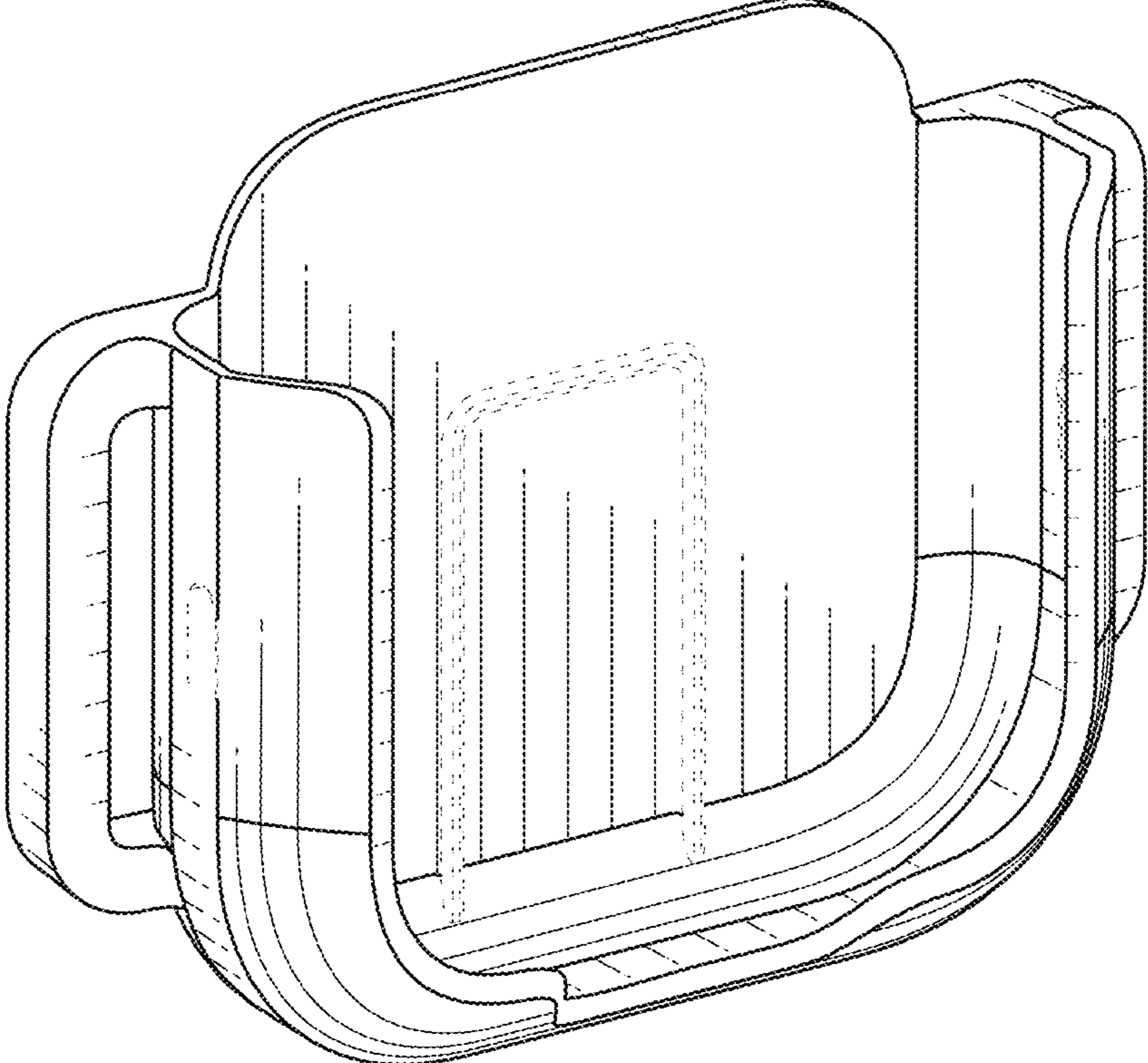


FIG. 1

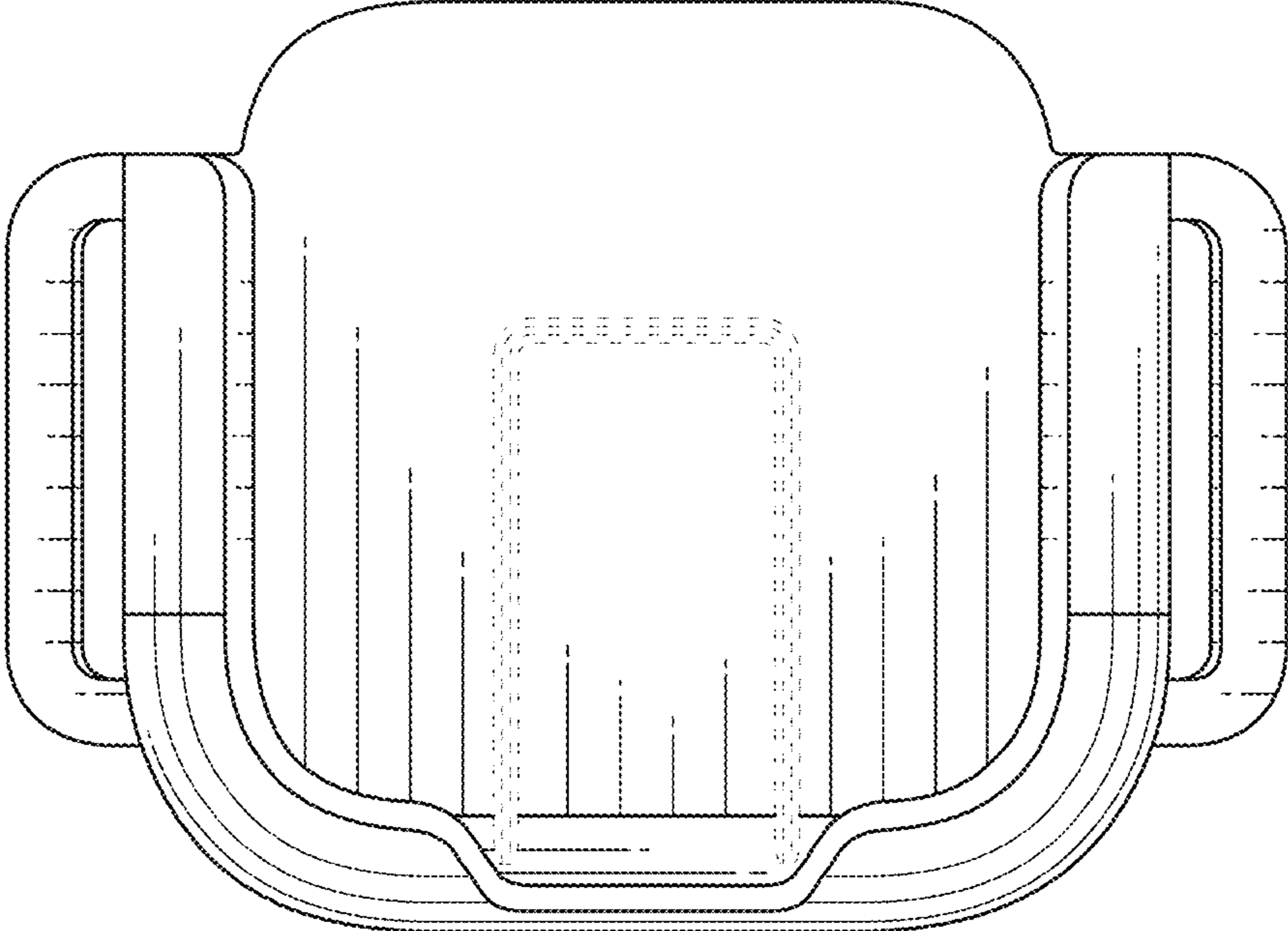


FIG. 2

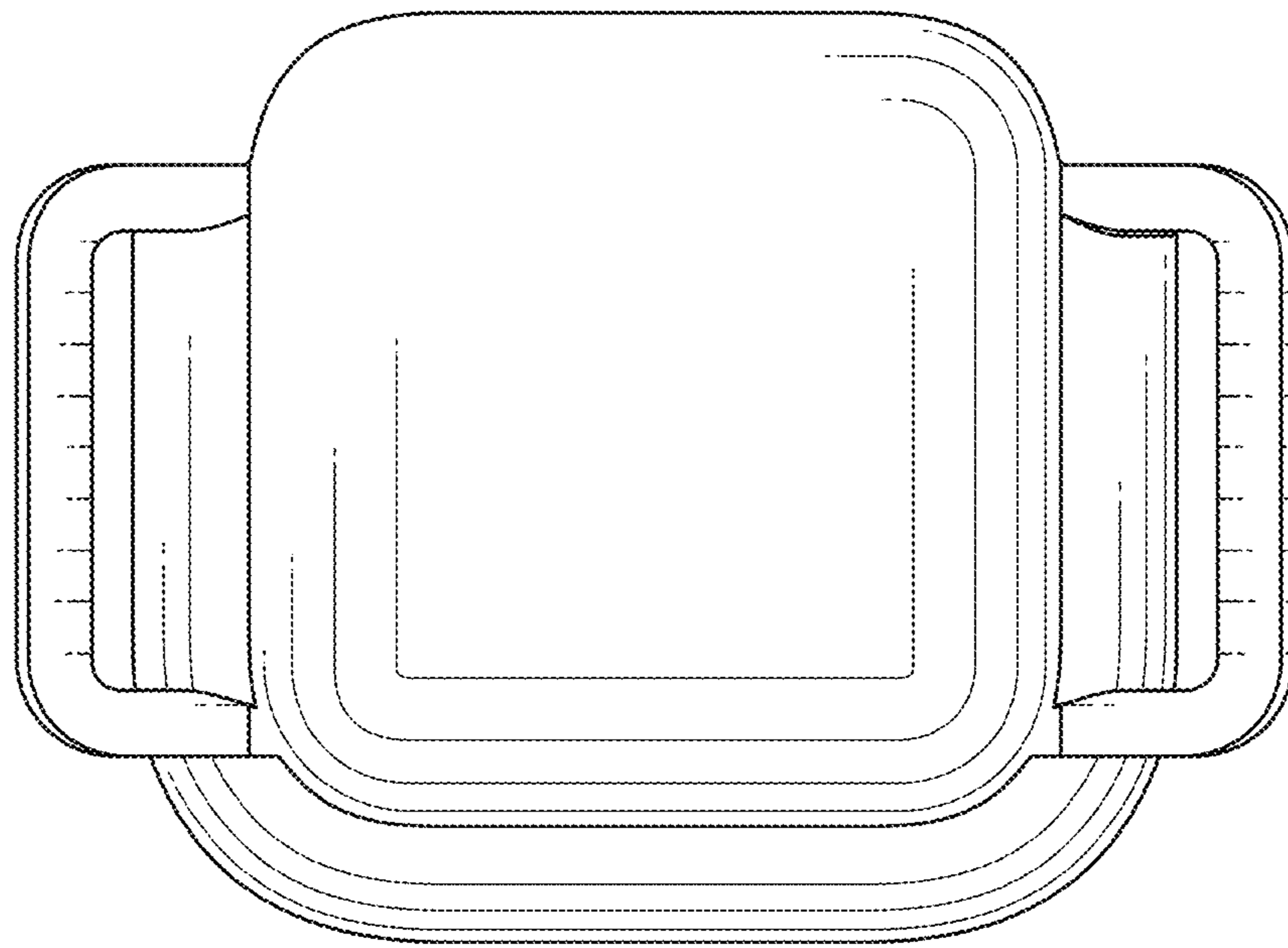


FIG. 3

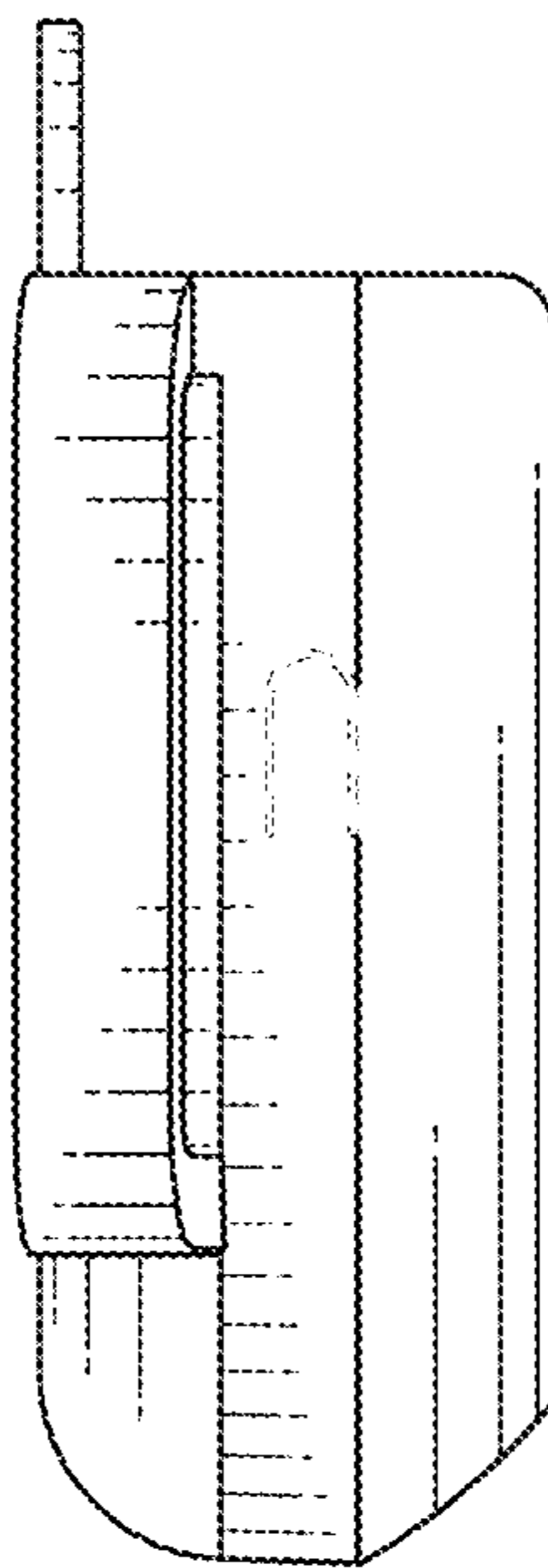


FIG. 4

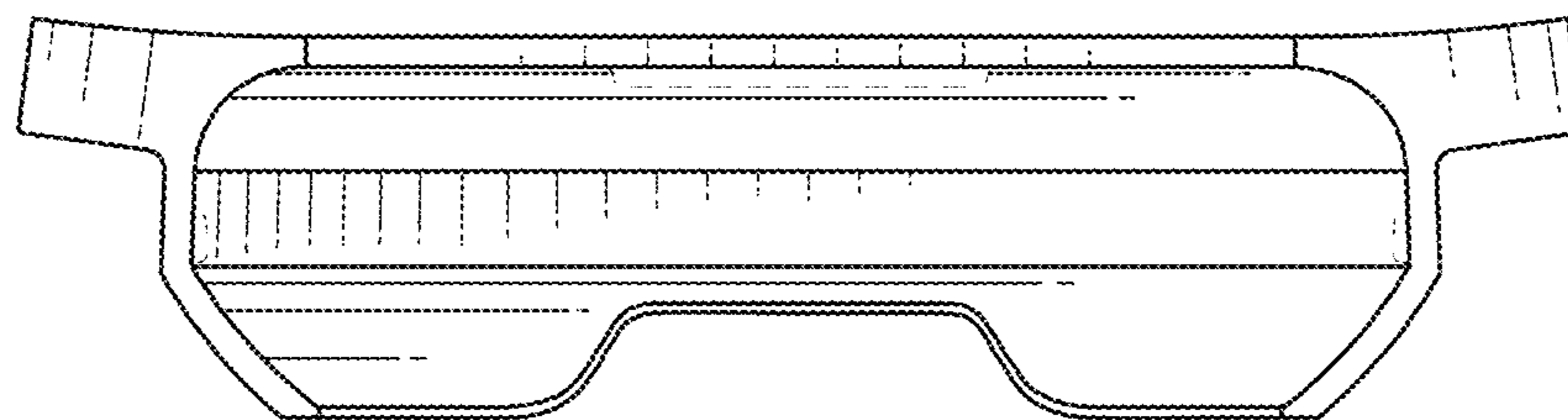


FIG. 5

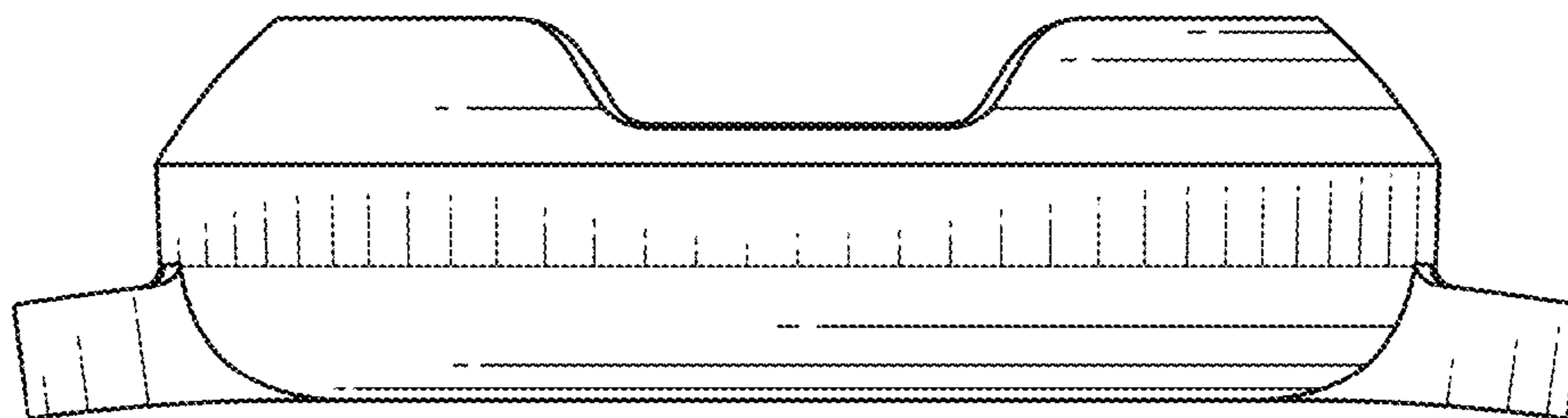


FIG. 6

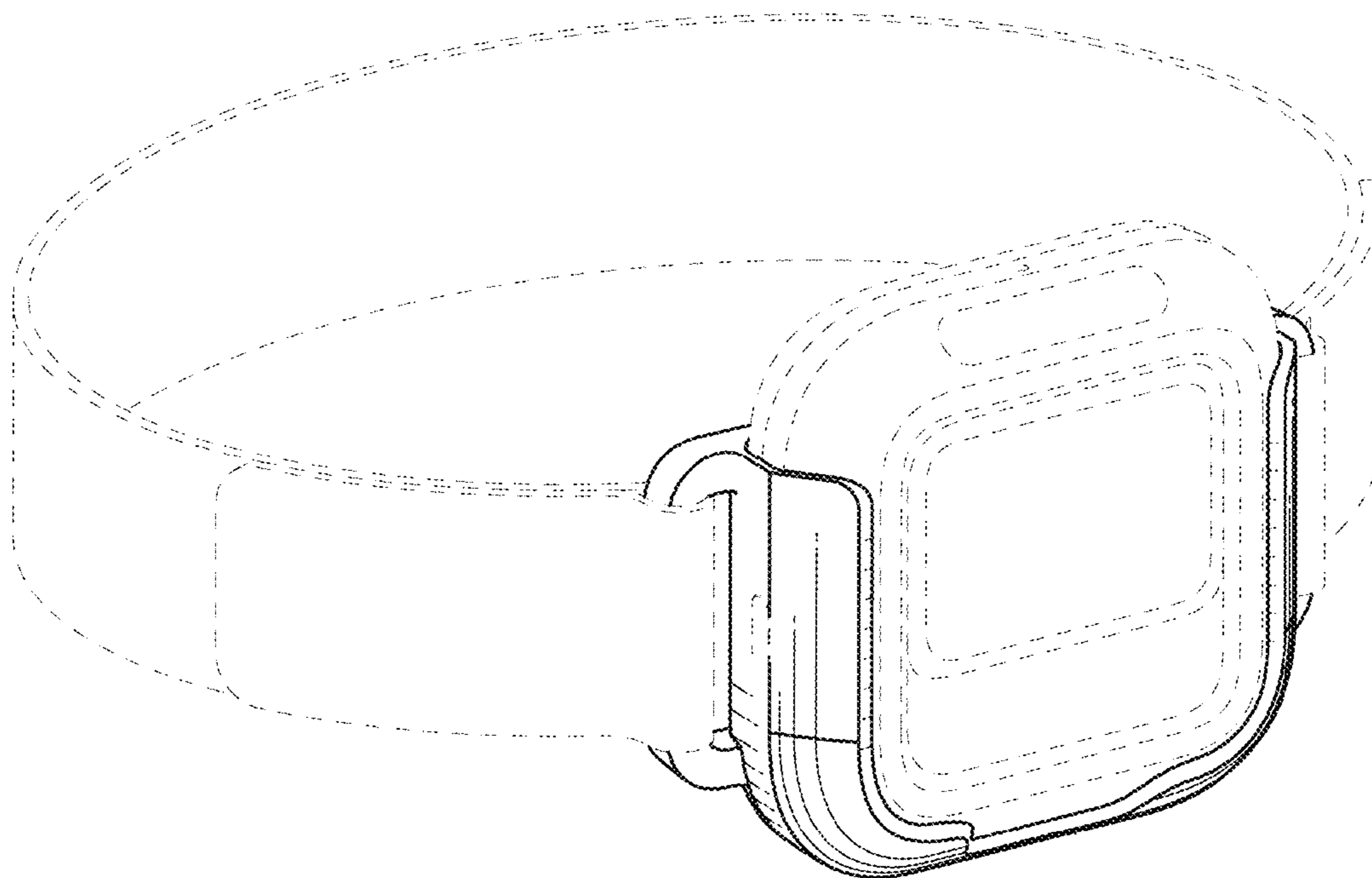


FIG. 7