



US00D807634S

(12) **United States Design Patent** (10) **Patent No.:** **US D807,634 S**
Eremita (45) **Date of Patent:** **** Jan. 16, 2018**

(54) **BELT CLIP**
(71) Applicant: **Leather Pro, Inc.**, Sylmar, CA (US)
(72) Inventor: **Brian J. Eremita**, Sylmar, CA (US)
(73) Assignee: **LEATHER PRO, INC.**, Sylmar, CA (US)
(**) Term: **15 Years**
(21) Appl. No.: **29/571,656**
(22) Filed: **Jul. 20, 2016**
(51) **LOC (11) Cl.** **03-01**
(52) **U.S. Cl.**
USPC **D3/215**; D3/218
(58) **Field of Classification Search**
USPC D22/215, 218, 221, 229; 224/148.4, 191,
224/197, 240, 242, 245, 268, 271-272,
224/667, 669, 673, 904; 24/580.11, 663,
24/667, 669, 682.1
CPC A45F 5/02; A45F 5/021; F16B 45/00
See application file for complete search history.

(56) **References Cited**
U.S. PATENT DOCUMENTS
6,098,858 A * 8/2000 Laugesen A45F 5/02
224/197
D433,563 S * 11/2000 Capanna D3/215
D548,960 S * 8/2007 Tages D3/218
D555,896 S * 11/2007 Ward-Llewellyn D3/215
7,819,370 B2 * 10/2010 Ho F16L 345/00
224/197
D670,903 S * 11/2012 Ormsbee D3/215
8,931,669 B2 * 1/2015 Bajuyo A45F 5/021
224/148.4
D745,776 S * 12/2015 Perreault D3/215
D774,748 S * 12/2016 VanHeusen D3/215

* cited by examiner

Primary Examiner — Catherine R Oliver-Garcia
(74) *Attorney, Agent, or Firm* — SoCal Law Group LLP;
Jonathan Pearce

(57) **CLAIM**

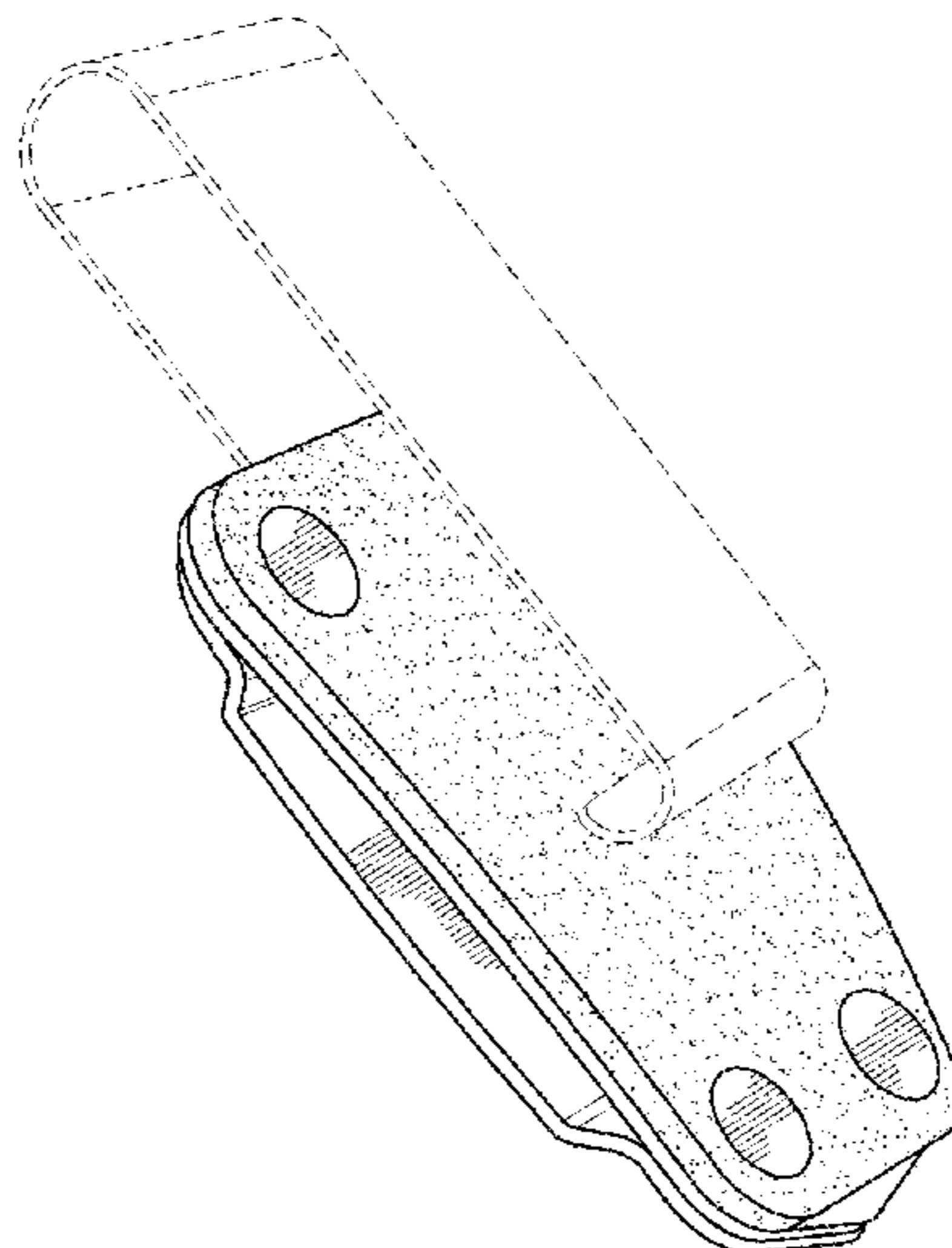
The ornamental design for a belt clip, as shown and described.

DESCRIPTION

A portion of the disclosure of this patent document contains material to which a claim for copyright is made. The copyright owner has no objection to the facsimile reproduction by anyone of the patent document or the patent disclosure, as it appears in the Patent and Trademark Office patent file or records, but reserves all other copyright rights whatsoever.

FIG. 1 is a left, rear perspective view of a first belt clip.
FIG. 2 is a top view thereof.
FIG. 3 is a bottom thereof.
FIG. 4 is a rear view thereof.
FIG. 5 is a front view thereof.
FIG. 6 is a right, side view thereof.
FIG. 7 is a left, side view thereof.
FIG. 8 is a left, rear perspective view of a second belt clip.
FIG. 9 is a top view thereof.
FIG. 10 is a bottom thereof.
FIG. 11 is a rear view thereof.
FIG. 12 is a front view thereof.
FIG. 13 is a right, side view thereof; and,
FIG. 14 is a left, side view thereof.
The broken lines depict environment and are for illustrative purposes only and form no part of the claimed design.

1 Claim, 6 Drawing Sheets



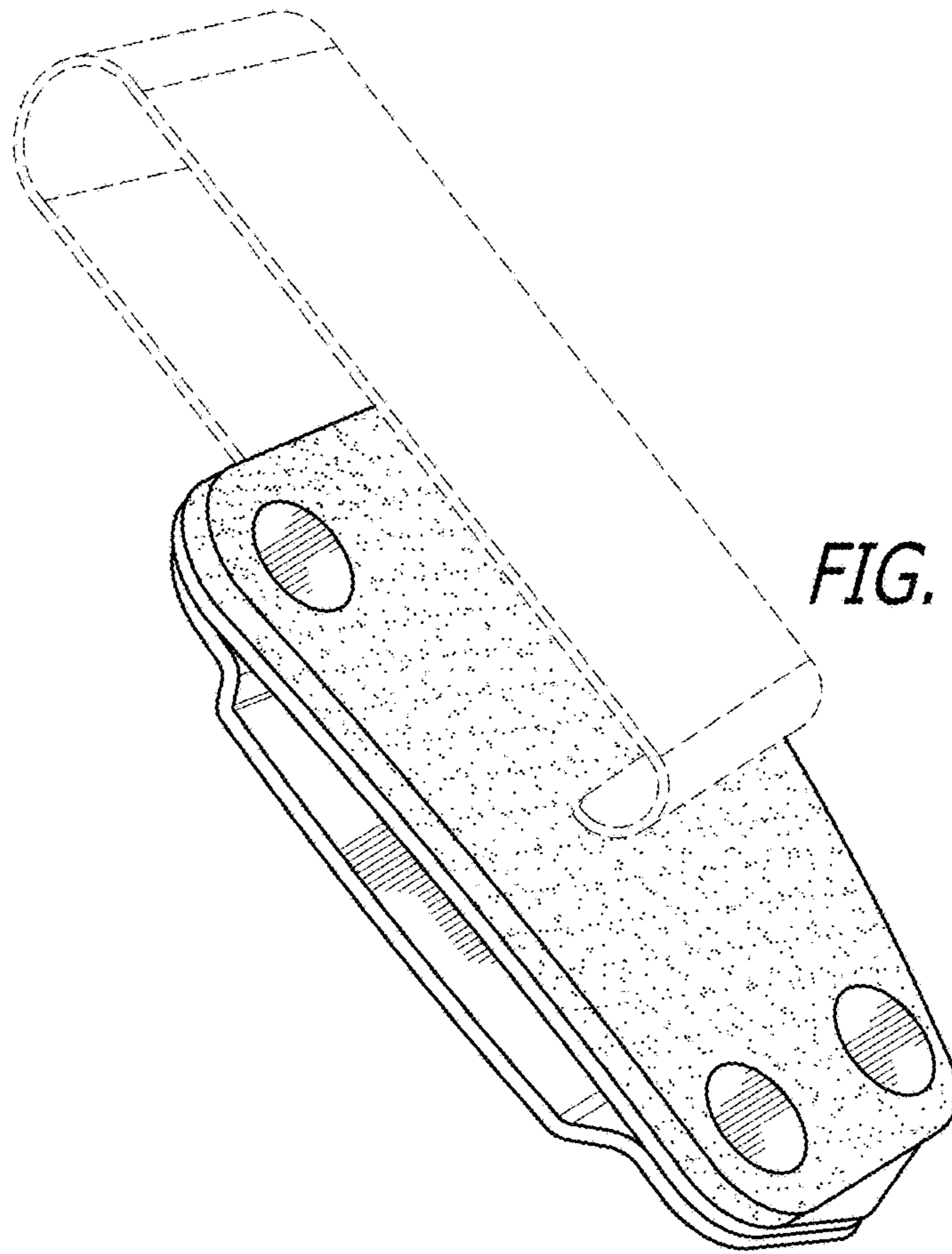


FIG. 1

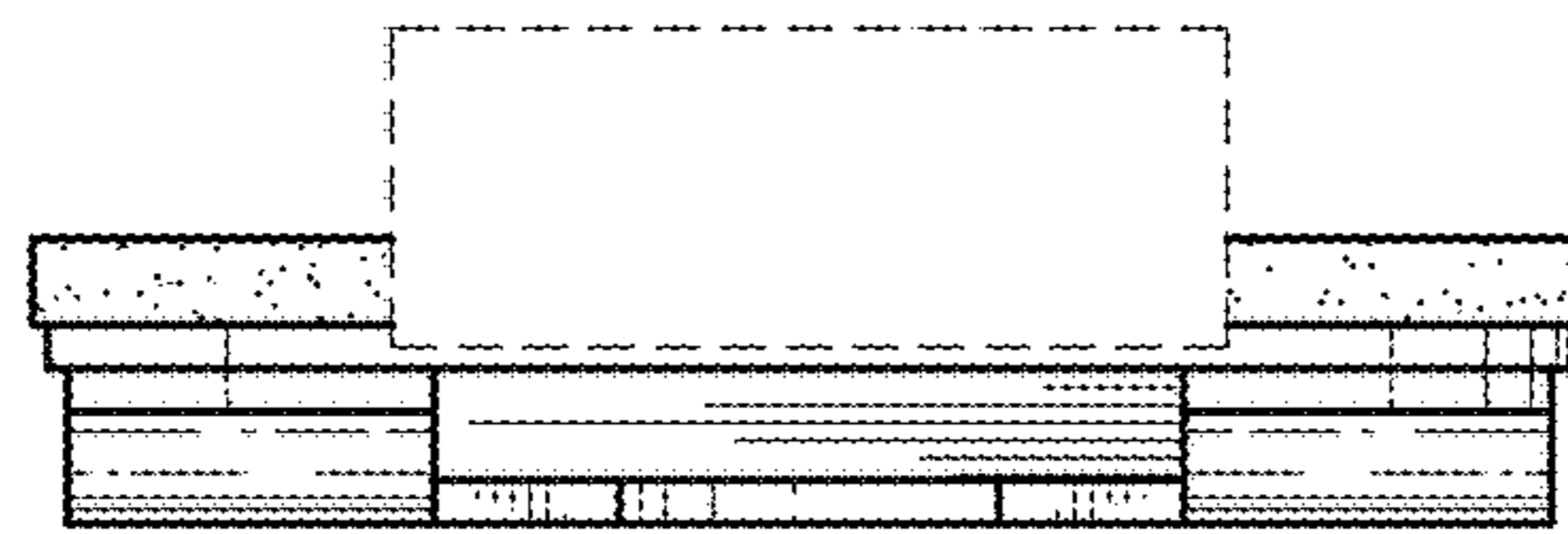


FIG. 2

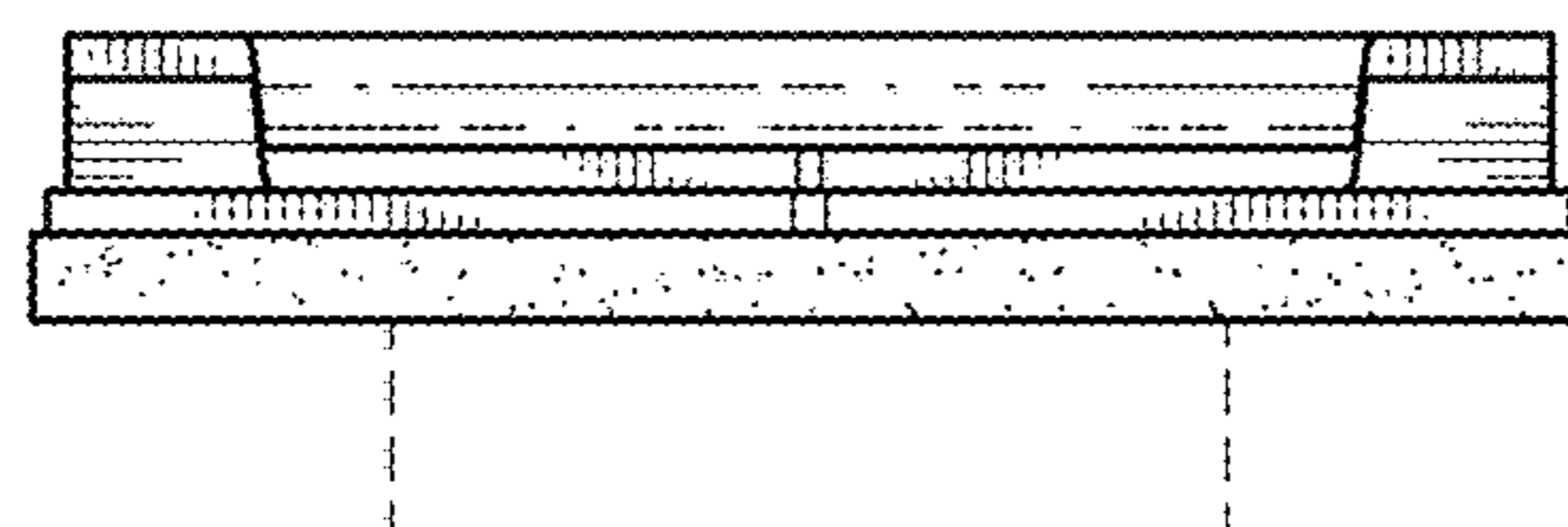


FIG. 3

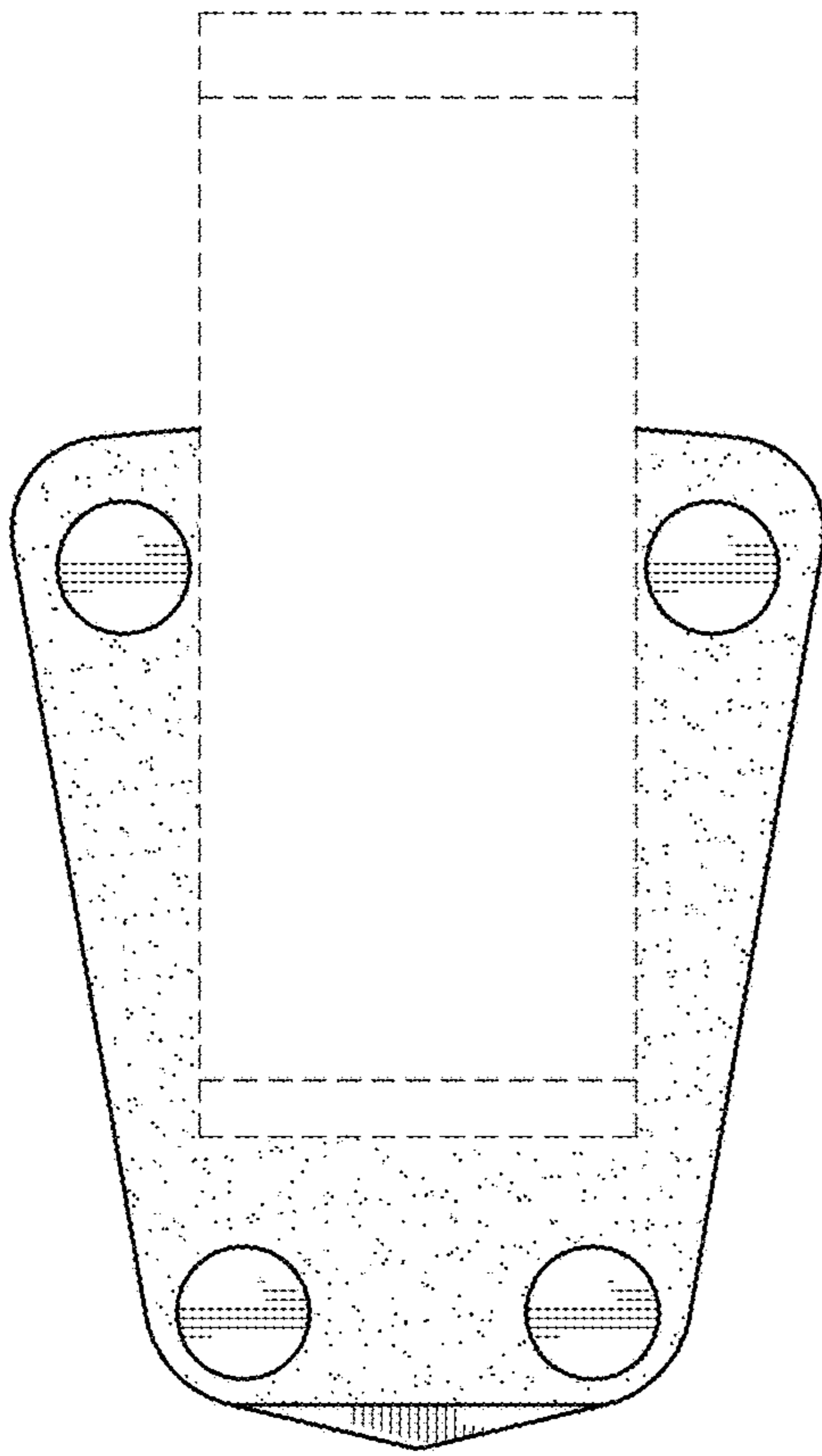


FIG. 4

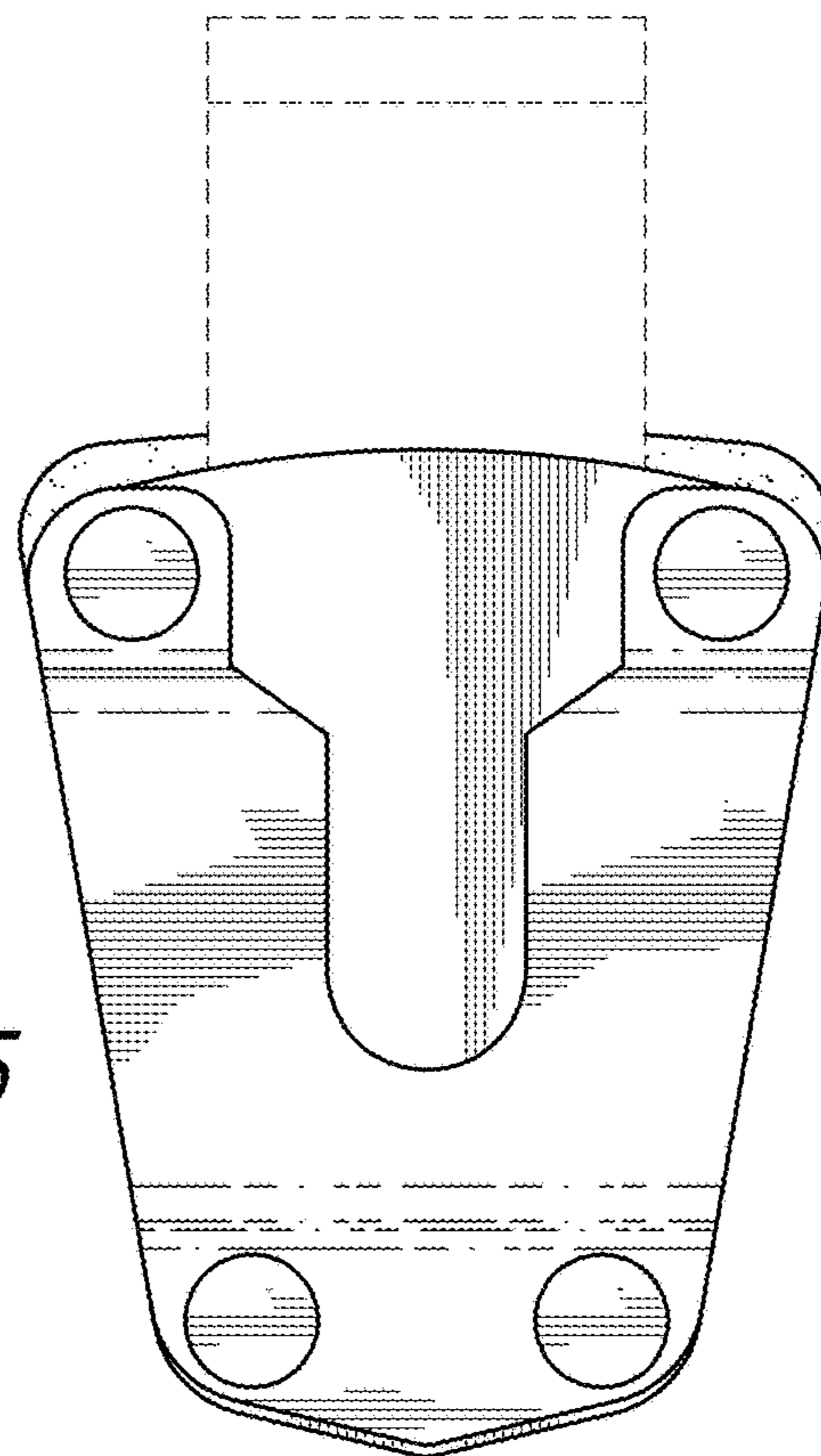


FIG. 5

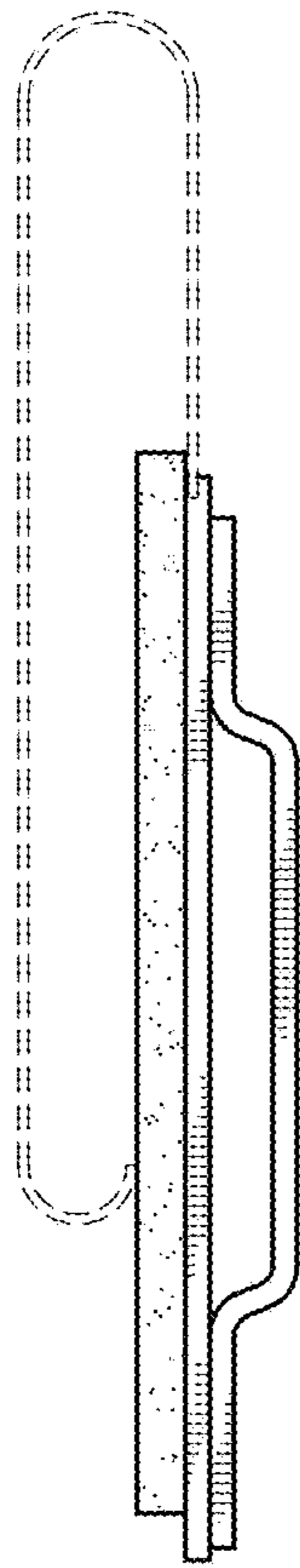


FIG. 6

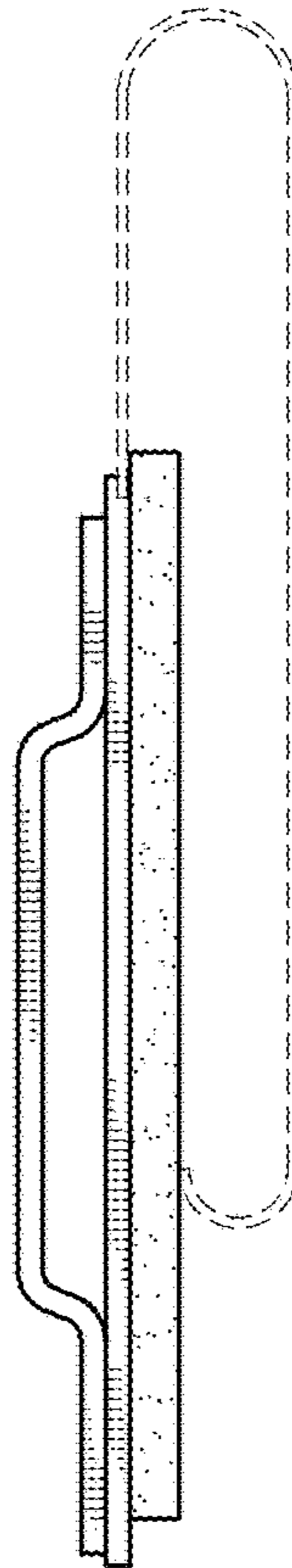
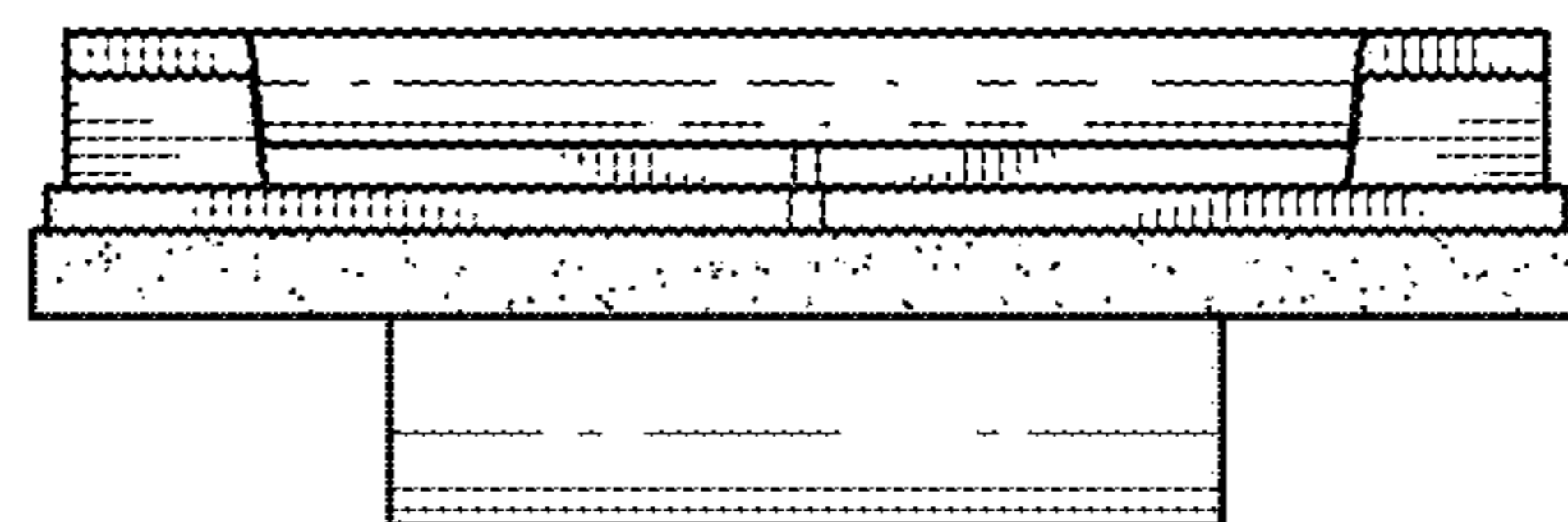
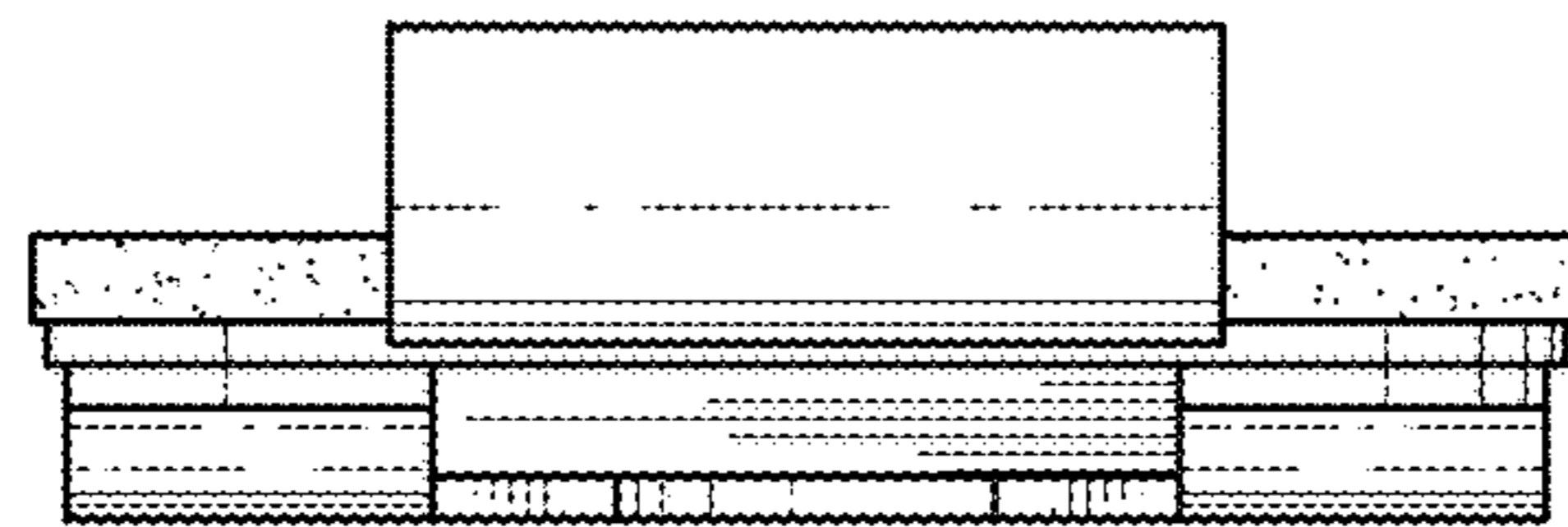
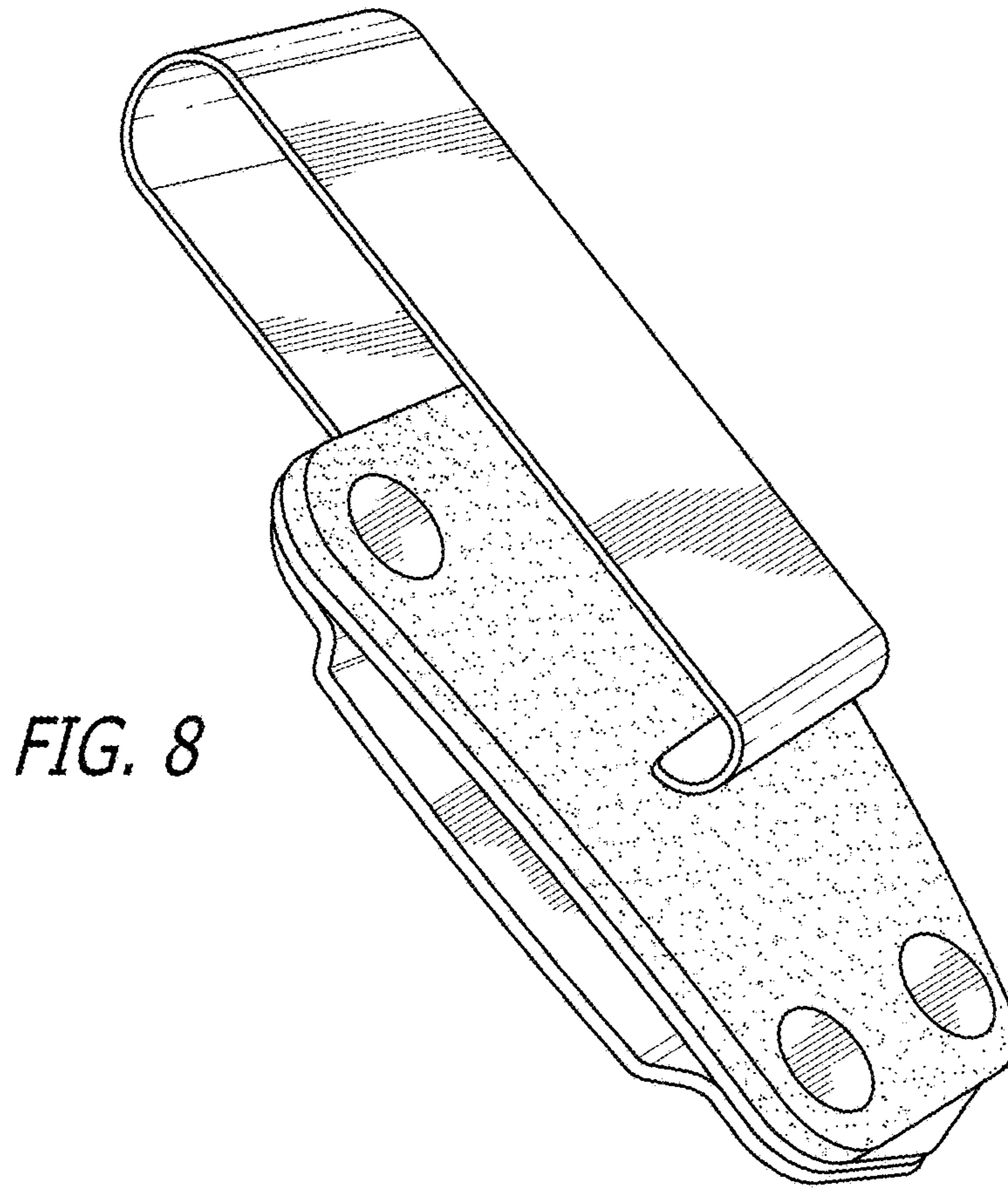


FIG. 7



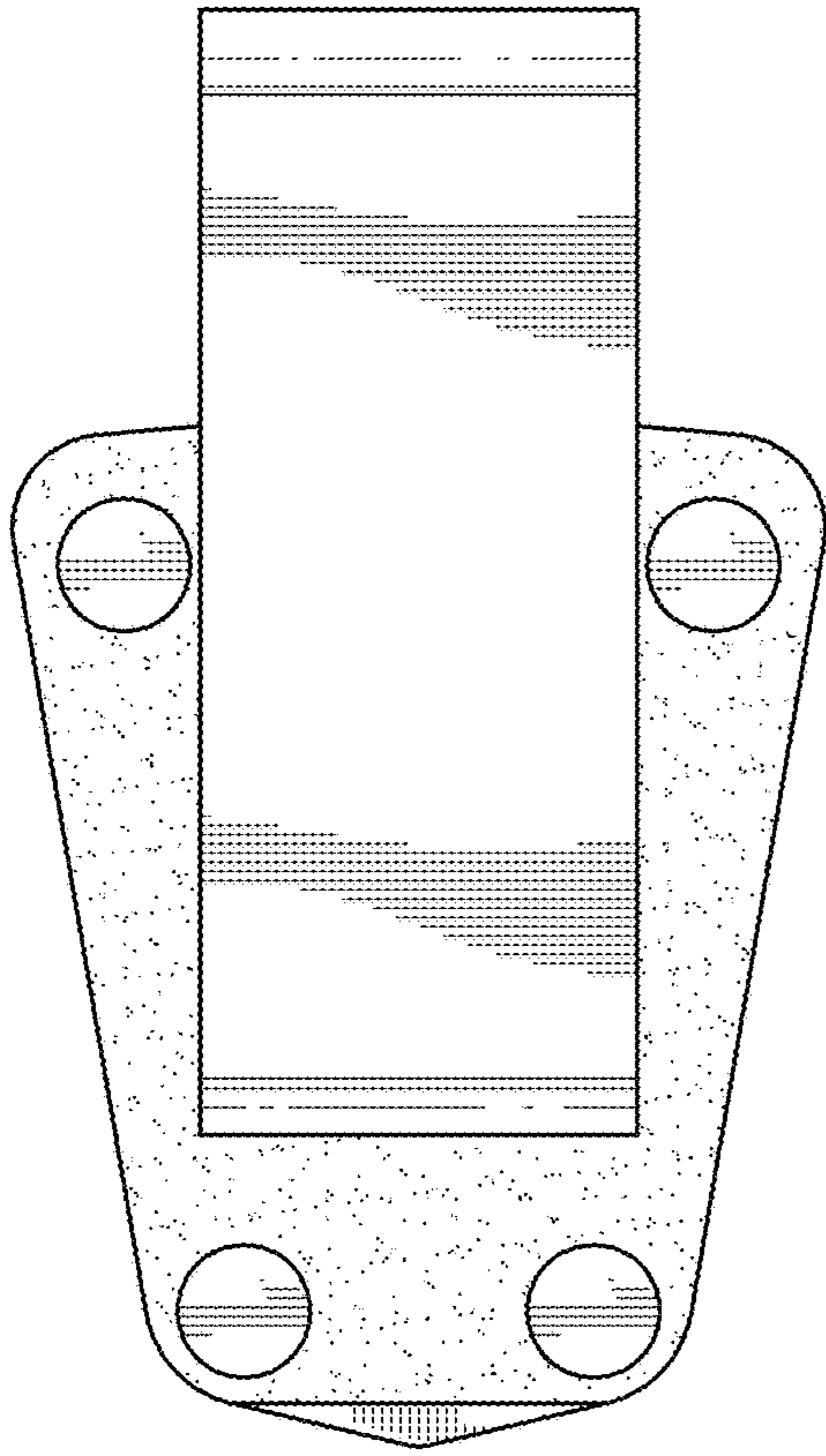


FIG. 11

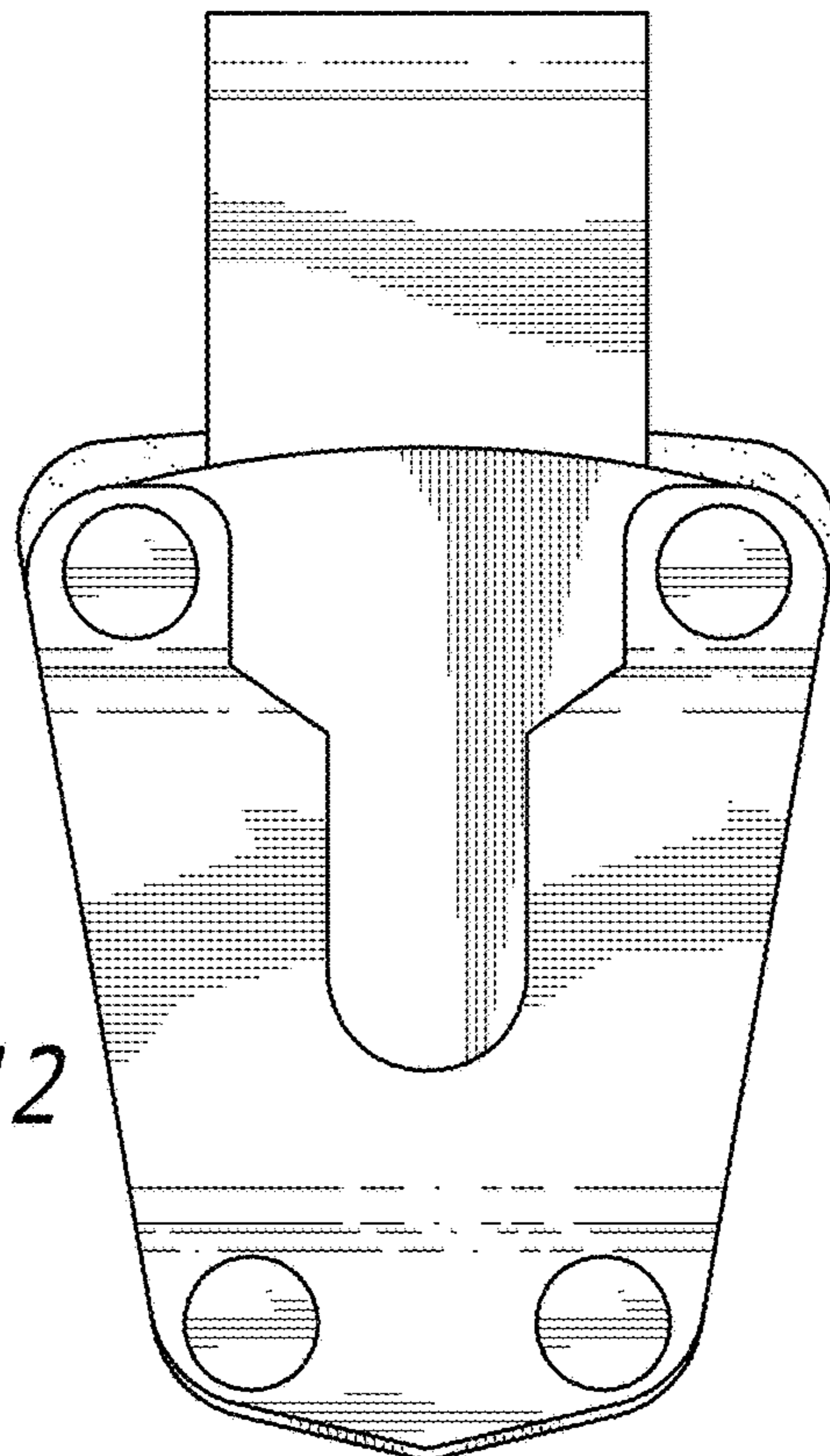


FIG. 12

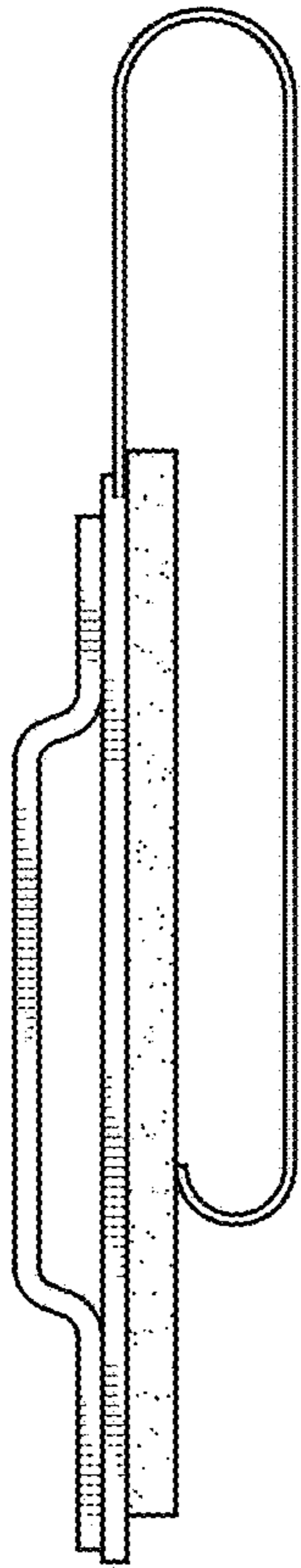


FIG. 13

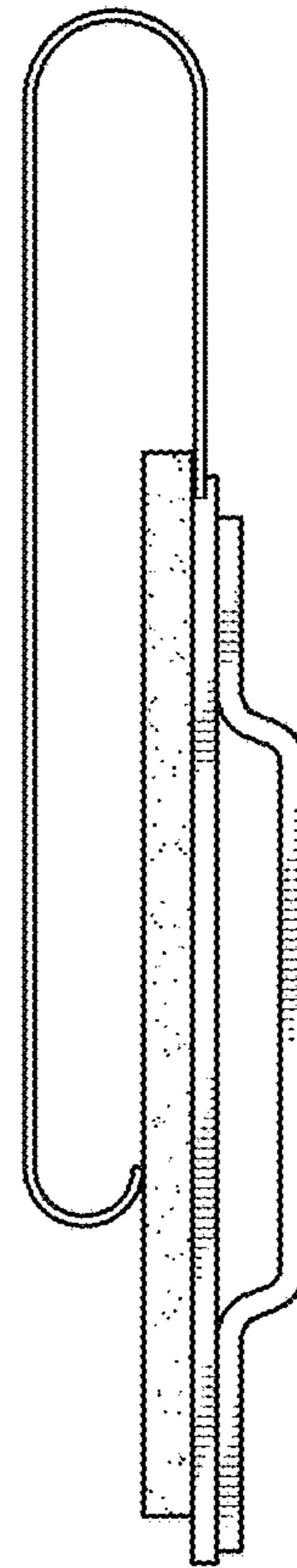


FIG. 14