



US00D807618S

(12) **United States Design Patent**  
**Cooper**

(10) **Patent No.:** **US D807,618 S**  
(45) **Date of Patent:** **\*\* Jan. 16, 2018**

(54) **HOODED SCARF**

(71) Applicant: **Robin Cooper**, Birmingham, AL (US)

(72) Inventor: **Robin Cooper**, Birmingham, AL (US)

(\*\*) Term: **15 Years**

(21) Appl. No.: **29/555,609**

(22) Filed: **Feb. 23, 2016**

(51) **LOC (11) Cl.** ..... **02-03**

(52) **U.S. Cl.**

USPC ..... **D2/878**; D2/501

(58) **Field of Classification Search**

USPC ..... D2/500, 501, 502, 503, 508, 600, 601,  
D2/602, 825, 865, 866, 878, 879, 880

CPC . A41D 1/04; A41D 3/08; A41D 23/00; A41D  
2023/002; A41D 2023/004; A41D  
2023/0006; A41D 25/00; A41D 25/02;  
A41D 25/16

See application file for complete search history.

(56) **References Cited**

**U.S. PATENT DOCUMENTS**

1,316,778	A *	9/1919	Ensten	.....	A42B 1/045 2/172
1,399,523	A *	12/1921	Sable	.....	A41D 23/00 2/203
1,720,560	A *	7/1929	Lipper	.....	A42B 1/041 2/171
1,809,511	A *	6/1931	Davis	.....	A42B 1/041 132/274
1,914,544	A *	6/1933	Villa	.....	A42B 1/041 2/195.8
D136,853	S *	12/1943	Goodman	.....	D2/879
D138,607	S *	8/1944	Schoer	.....	D2/879
2,496,953	A *	2/1950	Pinnere	.....	A41D 23/00 2/207
2,665,427	A *	1/1954	Street	.....	A42B 1/041 2/174
D190,949	S *	7/1961	Small	.....	D2/500
D408,966	S *	5/1999	Lawrence	.....	D2/823

D410,382	S *	6/1999	Therriault	.....	D2/823
D472,367	S *	4/2003	Maya	.....	D2/880
7,117,544	B2	10/2006	Kanitz		
D555,330	S *	11/2007	Cass	.....	D2/501
D617,533	S *	6/2010	Douglas	.....	D2/825
D621,591	S	8/2010	Gloege		

(Continued)

**FOREIGN PATENT DOCUMENTS**

KR 3020060032185 \* 8/2006

**OTHER PUBLICATIONS**

Scarf? Hood? Who Cares! . . . [on-line]; [publication posted to the Internet on Nov. 4, 2009]; [retrieved on Feb. 24, 2017]; URL: <http://www.refinery29.com/scarf-hood-snoods>. (2 pages).\*

(Continued)

*Primary Examiner* — Karen E. Eldridge Powers

*Assistant Examiner* — Jasmine Mlinarcik

(74) *Attorney, Agent, or Firm* — Stevenson IP, LLC

(57) **CLAIM**

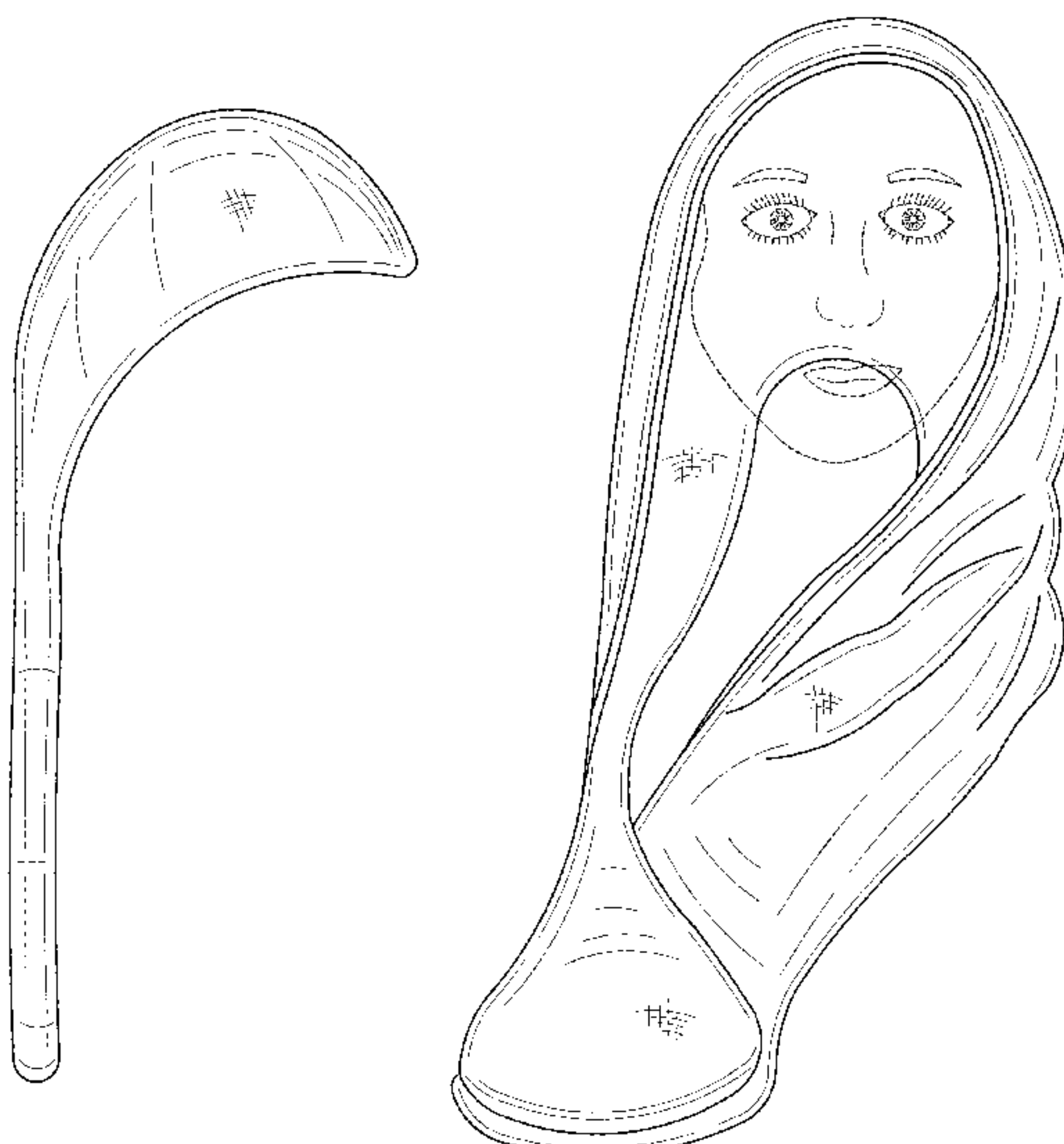
The ornamental design for a hooded scarf, as shown and described.

**DESCRIPTION**

FIG. 1 is a front elevation view of a hooded scarf showing my new design;  
FIG. 2 is a rear elevation view thereof;  
FIG. 3 is a right side elevation view thereof, the opposite side being a mirror image of the shown;  
FIG. 4 is a top plan view thereof;  
FIG. 5 is a bottom plan view thereof; and,  
FIG. 6 is an isometric view of the hooded scarf, as it may appear when worn.

The broken lines in FIG. 6 of the drawings depict a wearer as environmental subject matter only and form no part of the claimed design.

**1 Claim, 5 Drawing Sheets**



(56)

**References Cited**

U.S. PATENT DOCUMENTS

D629,180 S *	12/2010	Hood .....	D2/880
D632,058 S *	2/2011	Pritchett .....	D2/823
8,505,117 B2	8/2013	Park	
D694,989 S *	12/2013	Kelly .....	D2/502
D704,420 S *	5/2014	Krampitz .....	D2/880
D734,594 S *	7/2015	Phillips .....	D2/880
D750,867 S *	3/2016	Lake .....	D2/502
D770,144 S *	11/2016	Lumpkin-Loving .....	D2/866
9,504,362 B1 *	11/2016	Skinner .....	A47K 10/02

OTHER PUBLICATIONS

Crochet Pattern: Hooded Scarf Version 2, [on-line]; [review posted to the Internet on Oct. 30, 2012]; [retrieved from the Internet on Feb. 24, 2017]; URL: <http://www.crochetspot.com/crochet-pattern-hooded-scarf-version-2-3-sizes/>. (1 page).\*

Green Hooded Scarf, [on-line]; [review posted to Internet Aug. 21, 2013]; [retrieved from the Internet Feb. 24, 2017]; URL: [https://www.etsy.com/listing/75246629/green-hooded-scarfga\\_order=most\\_relevant&ga\\_search\\_type=all&ga\\_view\\_](https://www.etsy.com/listing/75246629/green-hooded-scarfga_order=most_relevant&ga_search_type=all&ga_view_)

[type=gallery&ga\\_search\\_query=hoodedscarf&ref=sc\\_gallery\\_8&plkey=8f7d701e256803c7c239a917d439be7baa64e9d8:75246629](https://www.etsy.com/listing/167891909/hooded-scarf-long-scarf-wool-scarf?ref=shop_review). (3 pages).\*

Hooded Scarf. Long Scarf. Wool Scarf . . . Charcoal Scar, [on-line]; [review posted to the Internet on Oct. 23, 2014]; [retrieved from the Internet on Mar. 3, 2017]; URL: [https://www.etsy.com/listing/167891909/hooded-scarf-long-scarf-wool-scarf?ref=shop\\_review](https://www.etsy.com/listing/167891909/hooded-scarf-long-scarf-wool-scarf?ref=shop_review). (4 pages).\*

Hooded Scarf. Long Scarf. Wool Scarf. Chunky Scarf . . . [on-line]; [review posted to the Internet on Nov. 4, 2014]; [retrieved from the Internet on Mar. 3, 2017]; URL: [https://www.etsy.com/listing/174393846/hooded-scarf-long-scarf-wool-scarf?ref=shop\\_review](https://www.etsy.com/listing/174393846/hooded-scarf-long-scarf-wool-scarf?ref=shop_review). (3 pages).\*

Hooded Scarf. Long Scarf. Wool Scarf . . . [on-line]; [review posted to the Internet on Dec. 23, 2014]; [retrieved from the Internet on Mar. 3, 2017]; URL: [https://www.etsy.com/listing/170255685/hooded-scarf-long-scarf-wool-scarf?ref=shop\\_review](https://www.etsy.com/listing/170255685/hooded-scarf-long-scarf-wool-scarf?ref=shop_review). (3 pages).\*

DIY Hooded Scarf with Free Pattern, [on-line]; [publication posted to the Internet on Oct. 24, 2016]; [retrieved from the Internet on Feb. 24, 2017]; URL: <http://www.joann.com/blog-DIY-Hooded-Scarf-with-Free-Pattern.html?fdid=fashionblogDir>. (6 pages).\*

\* cited by examiner

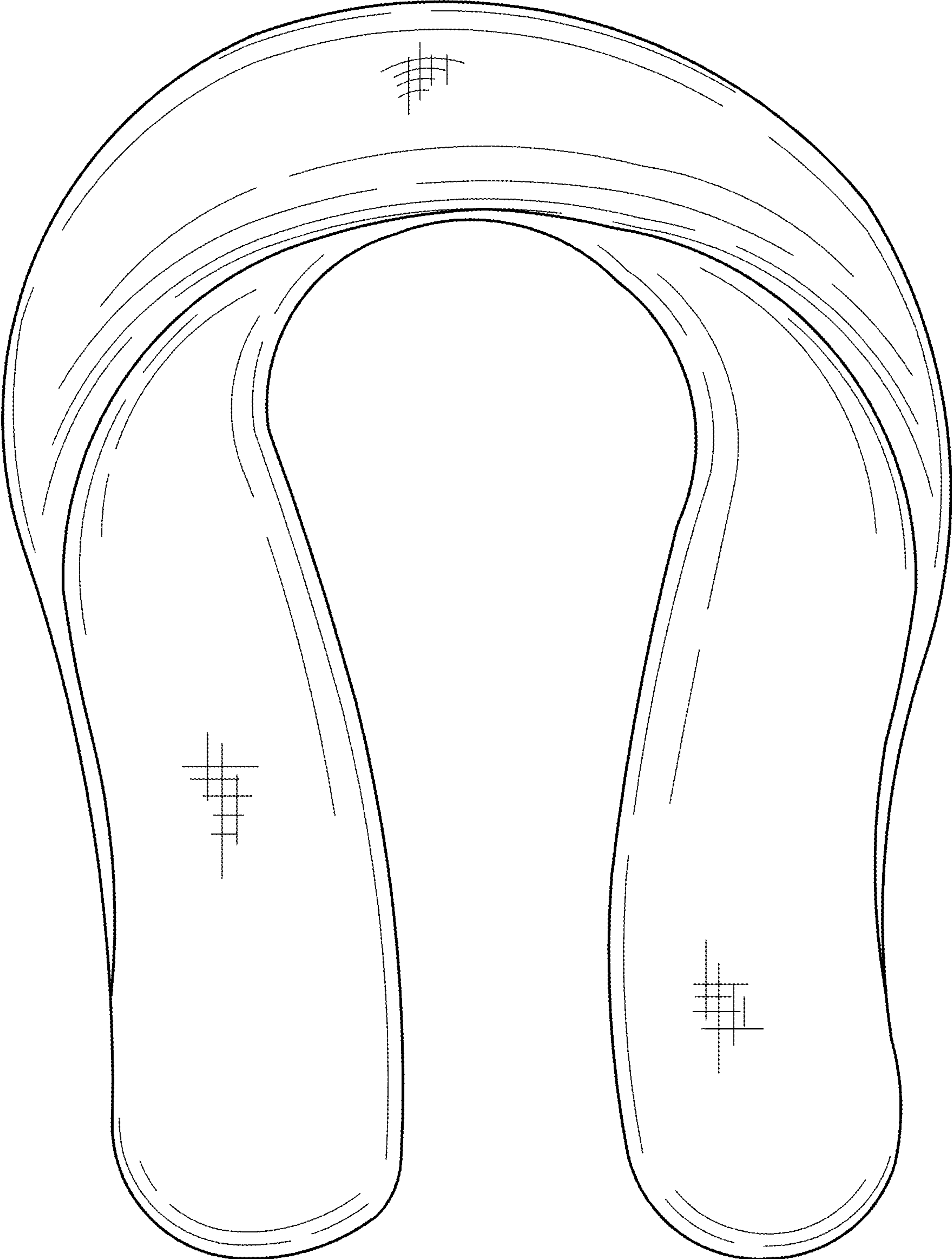


FIG. 1



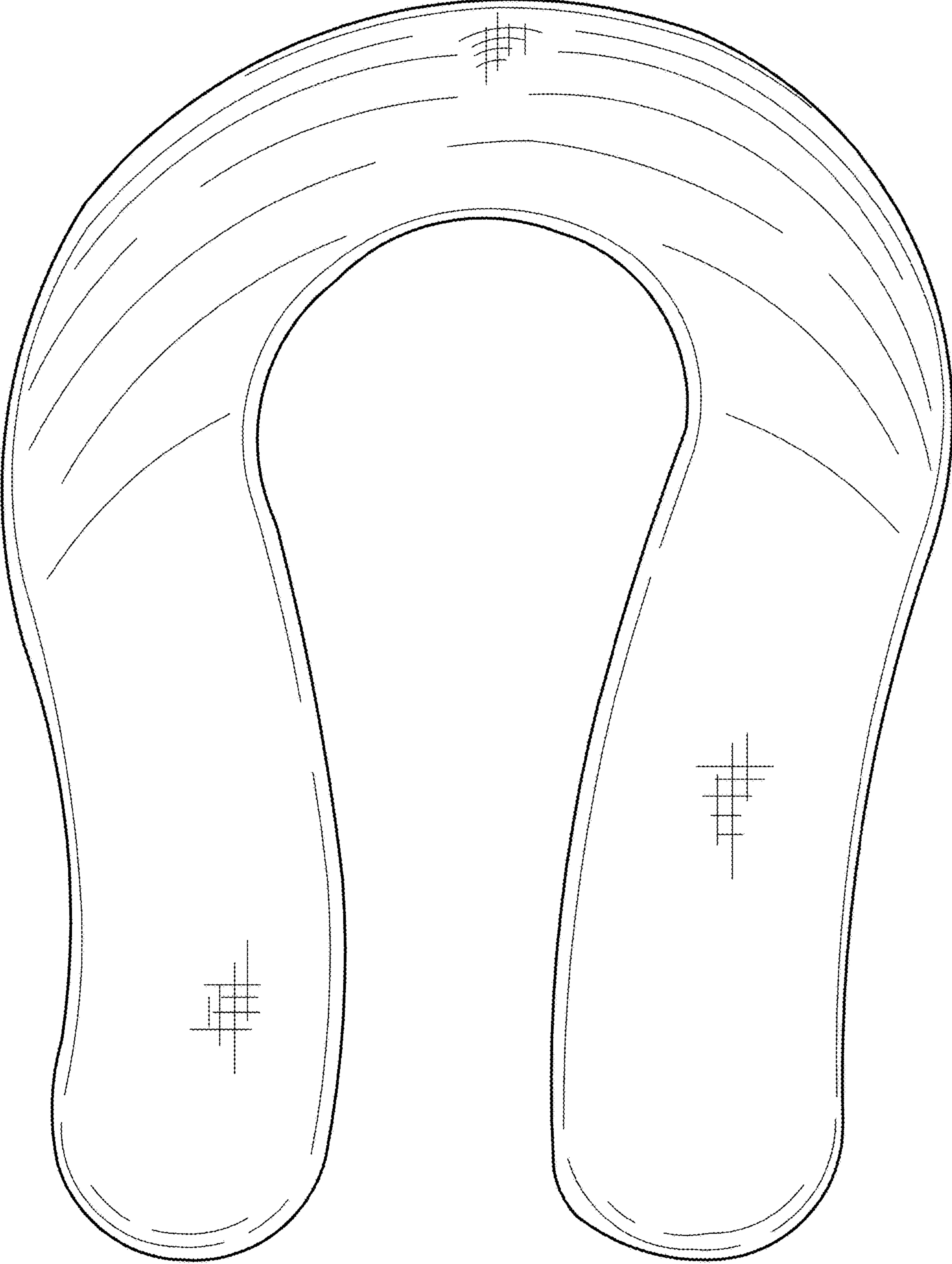


FIG. 2

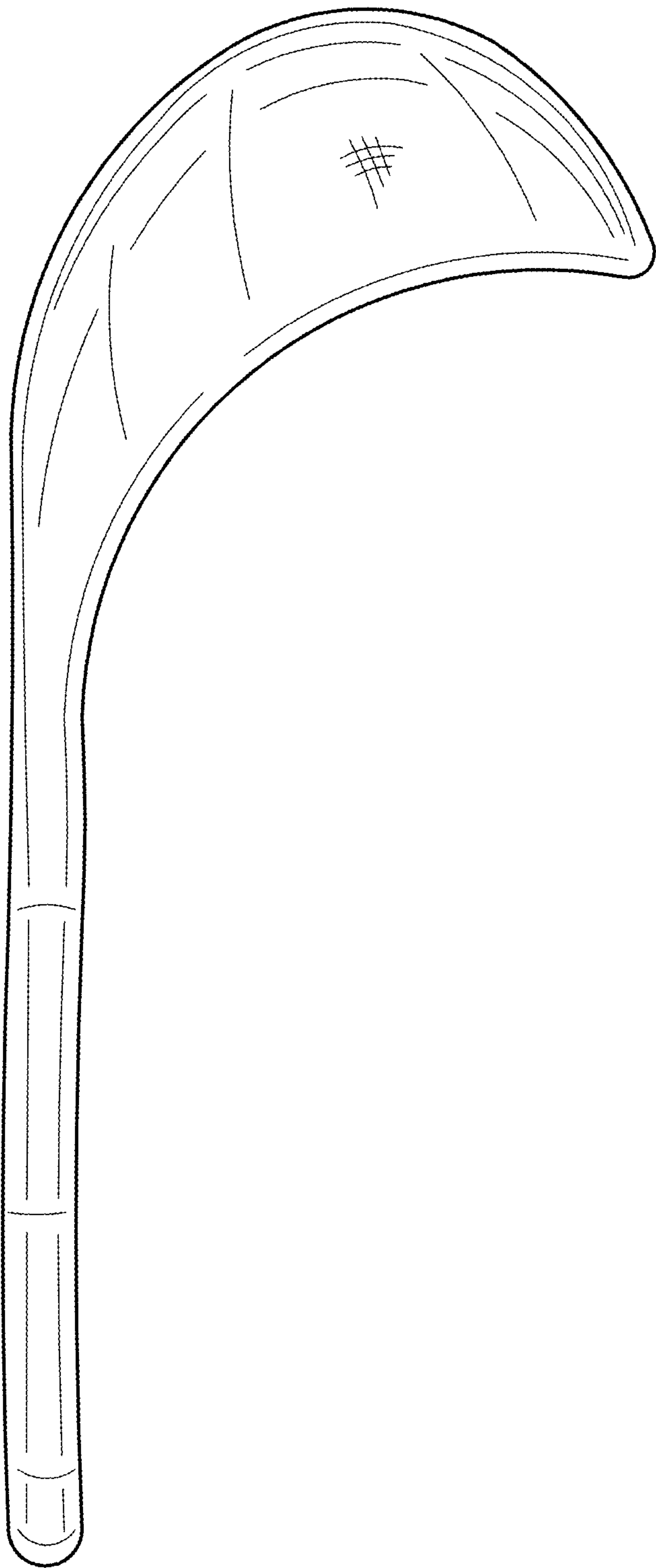


FIG. 3

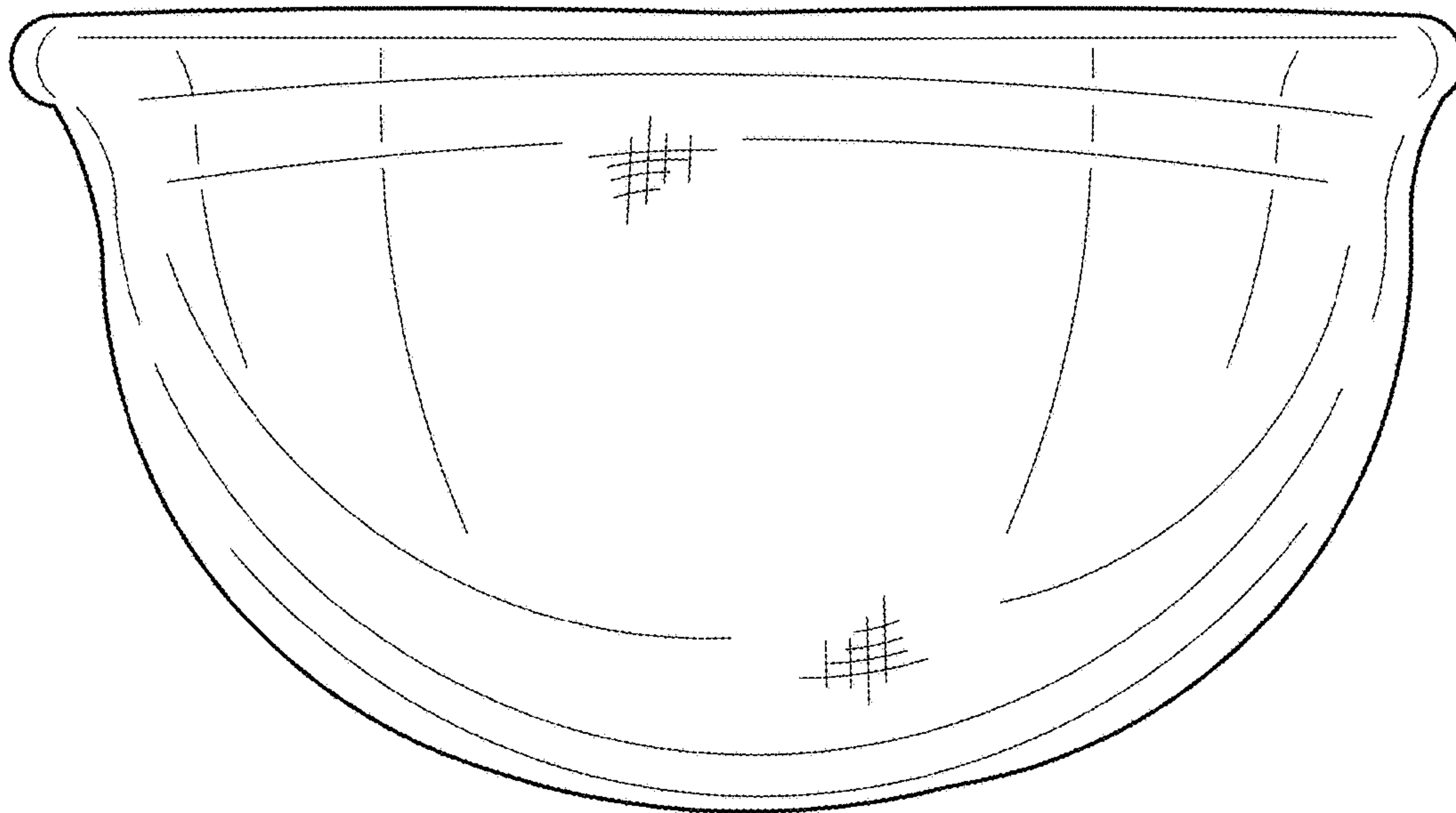


FIG. 4

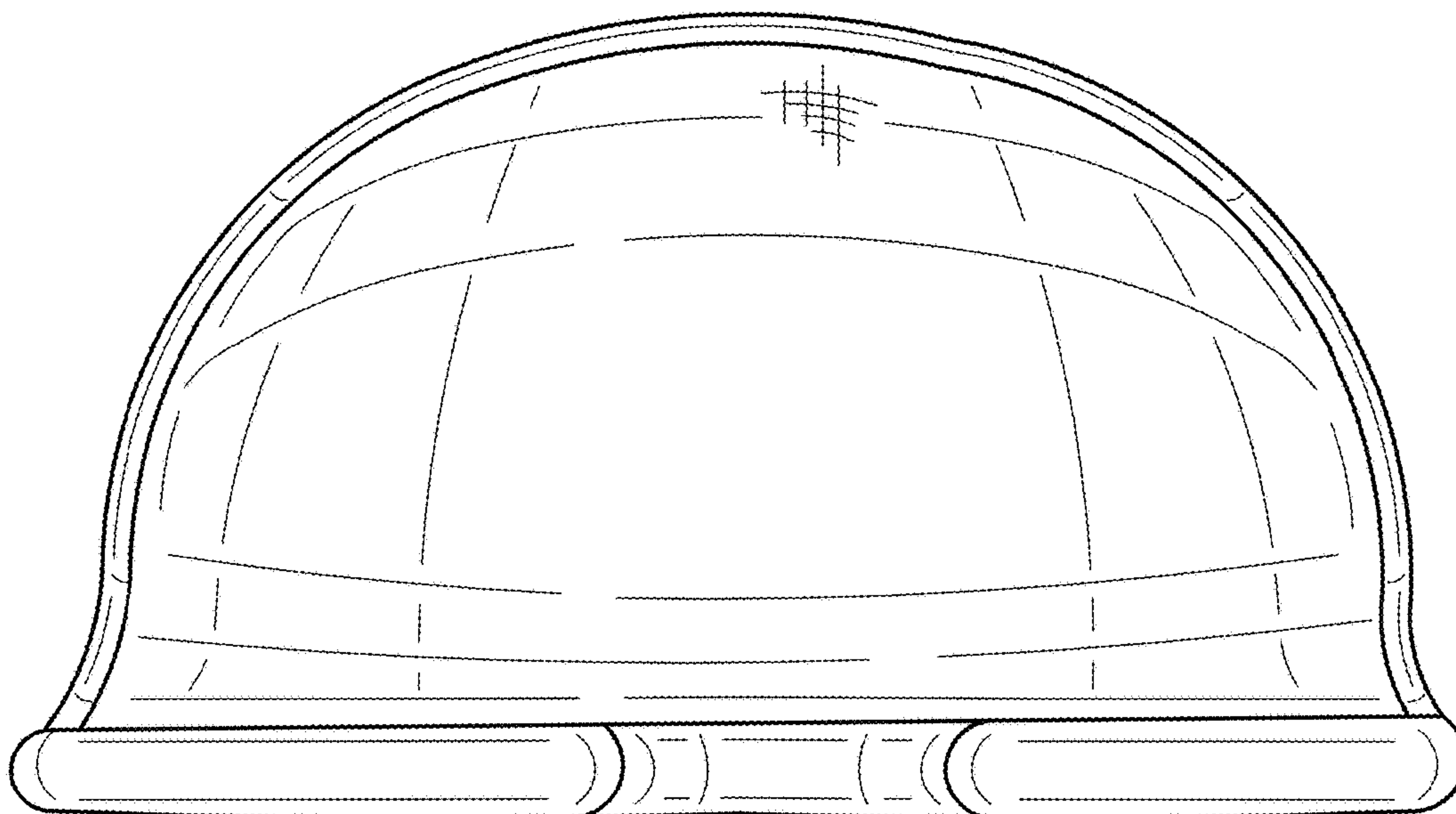


FIG. 5

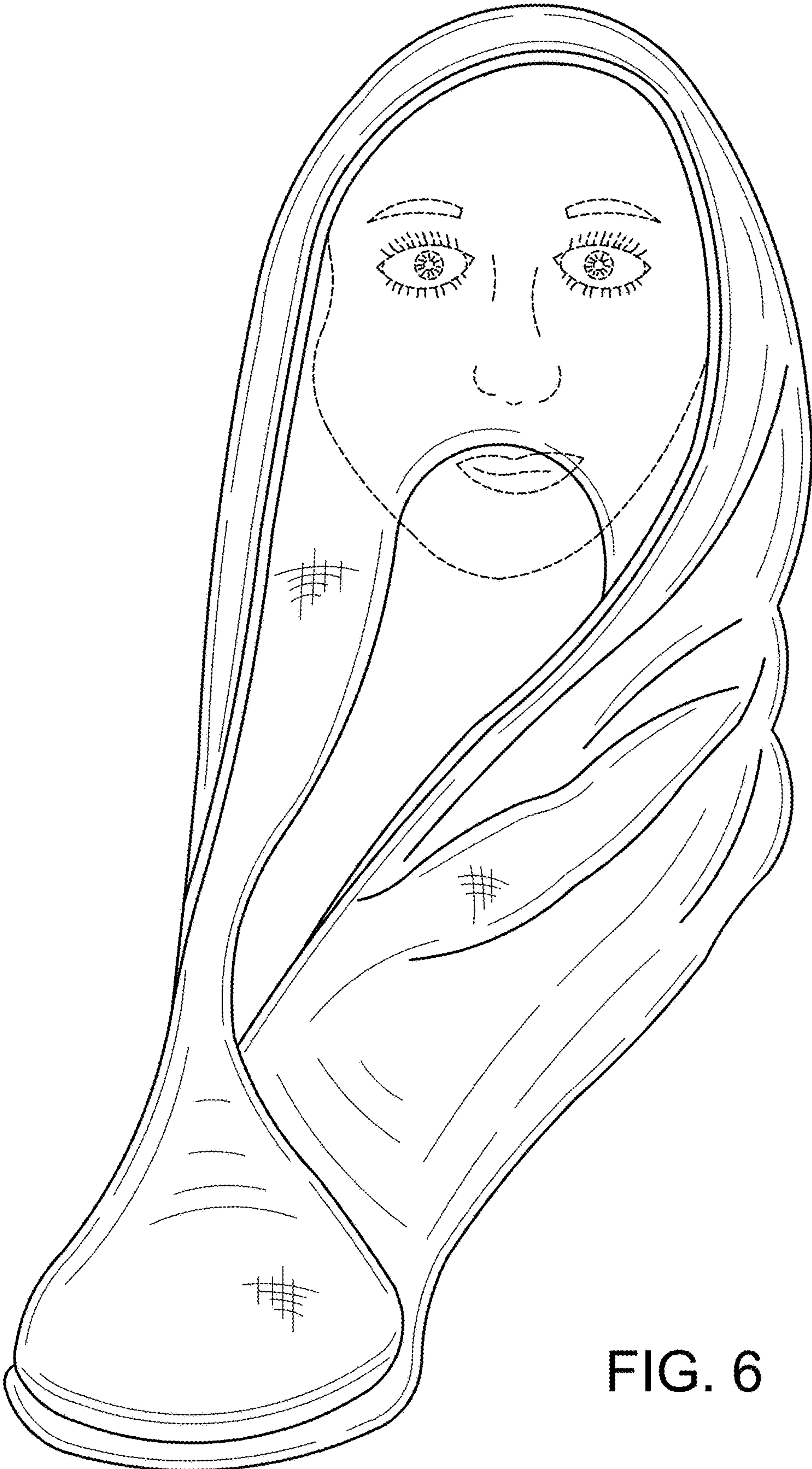


FIG. 6