

US00D807609S

(12) **United States Design Patent**
Babel et al.

(10) **Patent No.:** **US D807,609 S**
(45) **Date of Patent:** **** Jan. 9, 2018**

(54) **POWER UNIT COVER FOR AN INDUSTRIAL VEHICLE**

(71) Applicant: **Crown Equipment Corporation**, New Bremen, OH (US)

(72) Inventors: **Christoph Babel**, Tuerkenfeld (DE);
Christian Molnar, Forstinning (DE);
James Kraimer, Haimhausen (DE)

(73) Assignee: **Crown Equipment Corporation**, New Bremen, OH (US)

(**) Term: **15 Years**

(21) Appl. No.: **29/579,222**

(22) Filed: **Sep. 28, 2016**

(51) **LOC (11) Cl.** **12-05**

(52) **U.S. Cl.**
USPC **D34/35**

(58) **Field of Classification Search**
USPC D34/12, 16, 17, 21, 23, 24, 25, 28, 34,
D34/35, 38; 414/2, 7, 574, 592, 631,
414/642, 679, 685; 280/43.12, 87.041,
280/638; 187/222, 224, 231, 237, 238,
187/414; 180/89.12, 299, 315, 325
CPC B66F 5/02; B66F 13/00; B66F 3/22; B66F
3/24; B66F 3/30; B66F 5/04; B66F
7/246; B62B 3/02; B62B 3/0612
See application file for complete search history.

(56) **References Cited**

U.S. PATENT DOCUMENTS

D608,074 S * 1/2010 Berger D34/34
8,336,654 B1 * 12/2012 Licon B60K 1/00
180/65.1

D692,203 S * 10/2013 Feiquan D34/34
D692,204 S * 10/2013 Feiquan D34/34
D765,939 S * 9/2016 Liu D34/35
D767,236 S * 9/2016 Meng D34/35
D767,847 S * 9/2016 Liu D34/35
D770,720 S * 11/2016 He D34/34

OTHER PUBLICATIONS

Crown “WP Series Electric Pallet Jack”, <http://www.crown.com/en-us/forklifts/wp-pallet-truck.html>. 2017 shown in p. 1, Item # WP 3000.*

* cited by examiner

Primary Examiner — Cynthia Ramirez
Assistant Examiner — Michael Maharajh

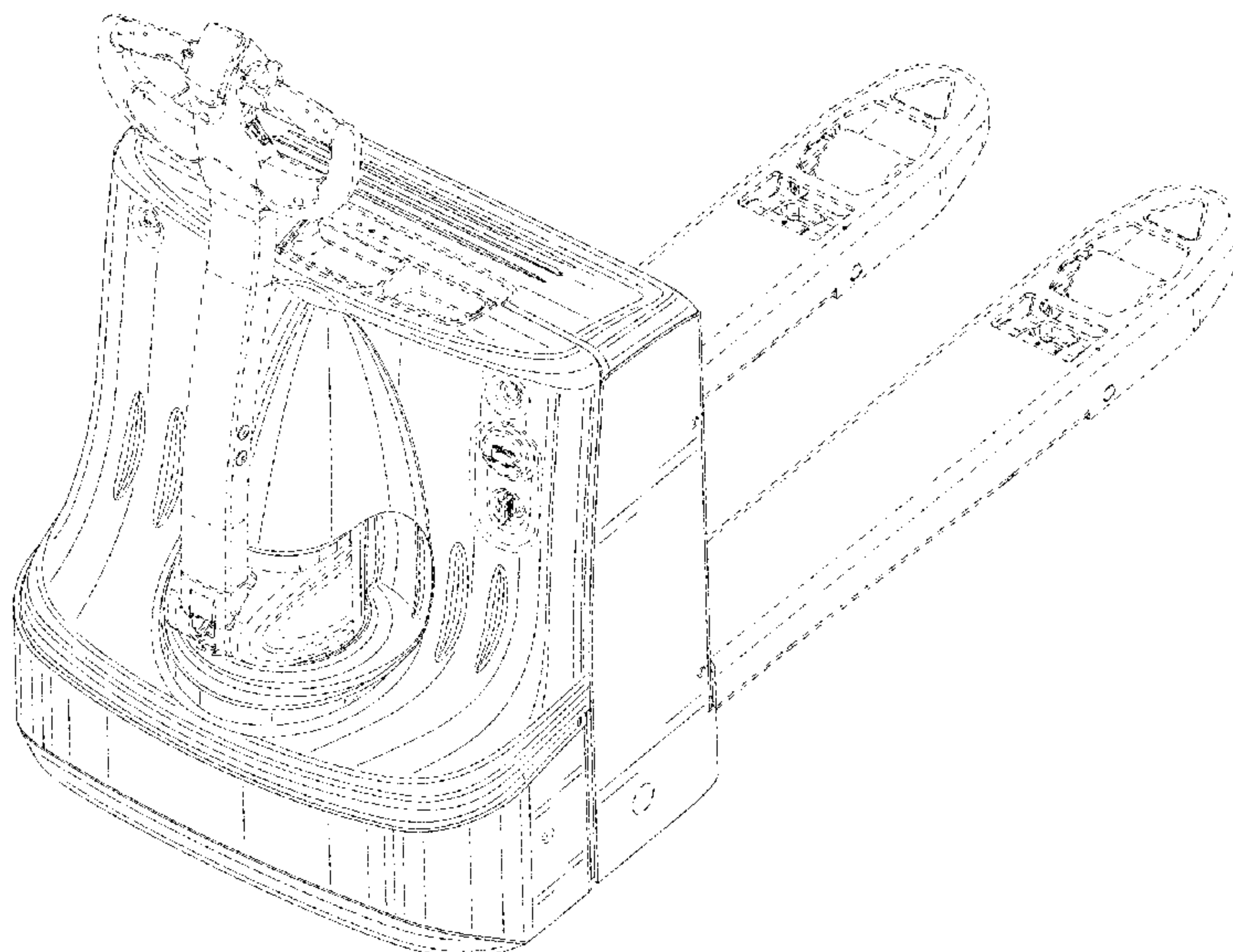
(57) **CLAIM**

The ornamental design for a power unit cover for an industrial vehicle, as shown and described.

DESCRIPTION

FIG. 1 is a back, top, left perspective view of a power unit cover for an industrial vehicle, showing our new design; FIG. 2 is a back, top, right perspective view thereof; FIG. 3 is a back, bottom, right perspective view thereof; FIG. 4 is a back, bottom, left perspective view thereof; FIG. 5 is a back elevational view thereof; FIG. 6 is a front elevational view thereof; FIG. 7 is a right side elevational view thereof; FIG. 8 is a left side elevational view thereof; FIG. 9 is a top plan view thereof; and, FIG. 10 is a bottom plan view thereof. The broken lines shown in the figures are for the purpose of illustrating the environmental structure and form no part of the claimed design.

1 Claim, 10 Drawing Sheets



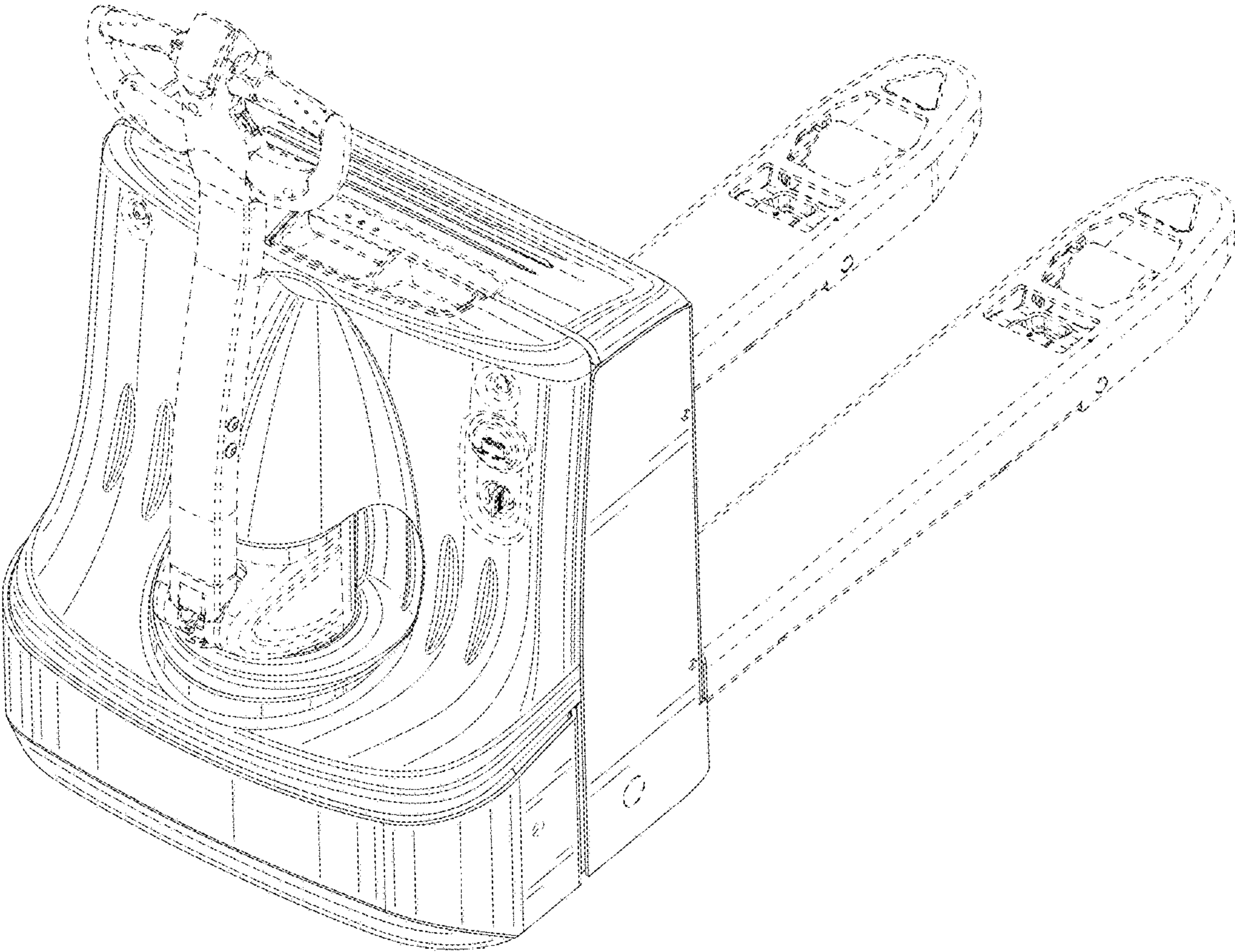


FIG. 1

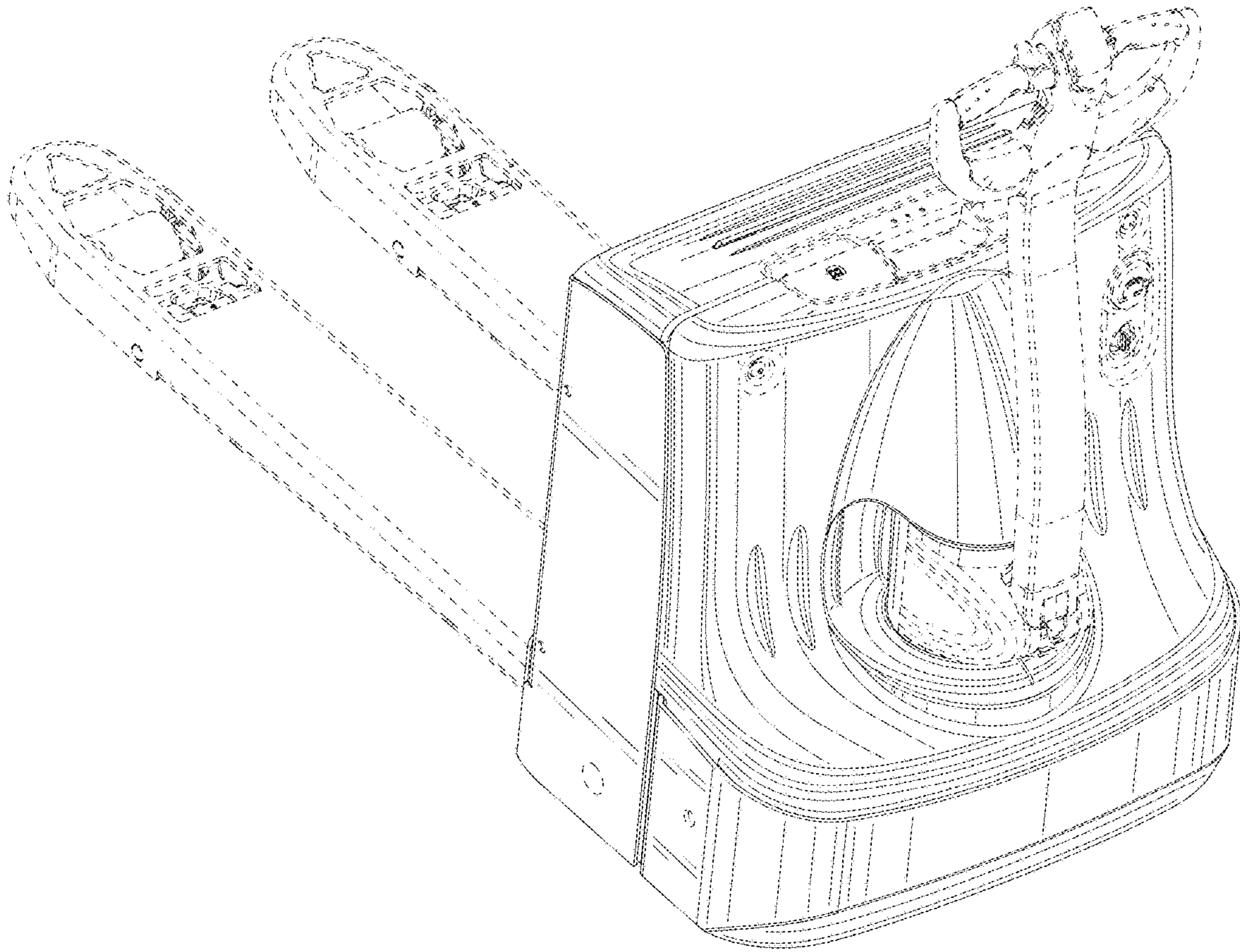


FIG. 2

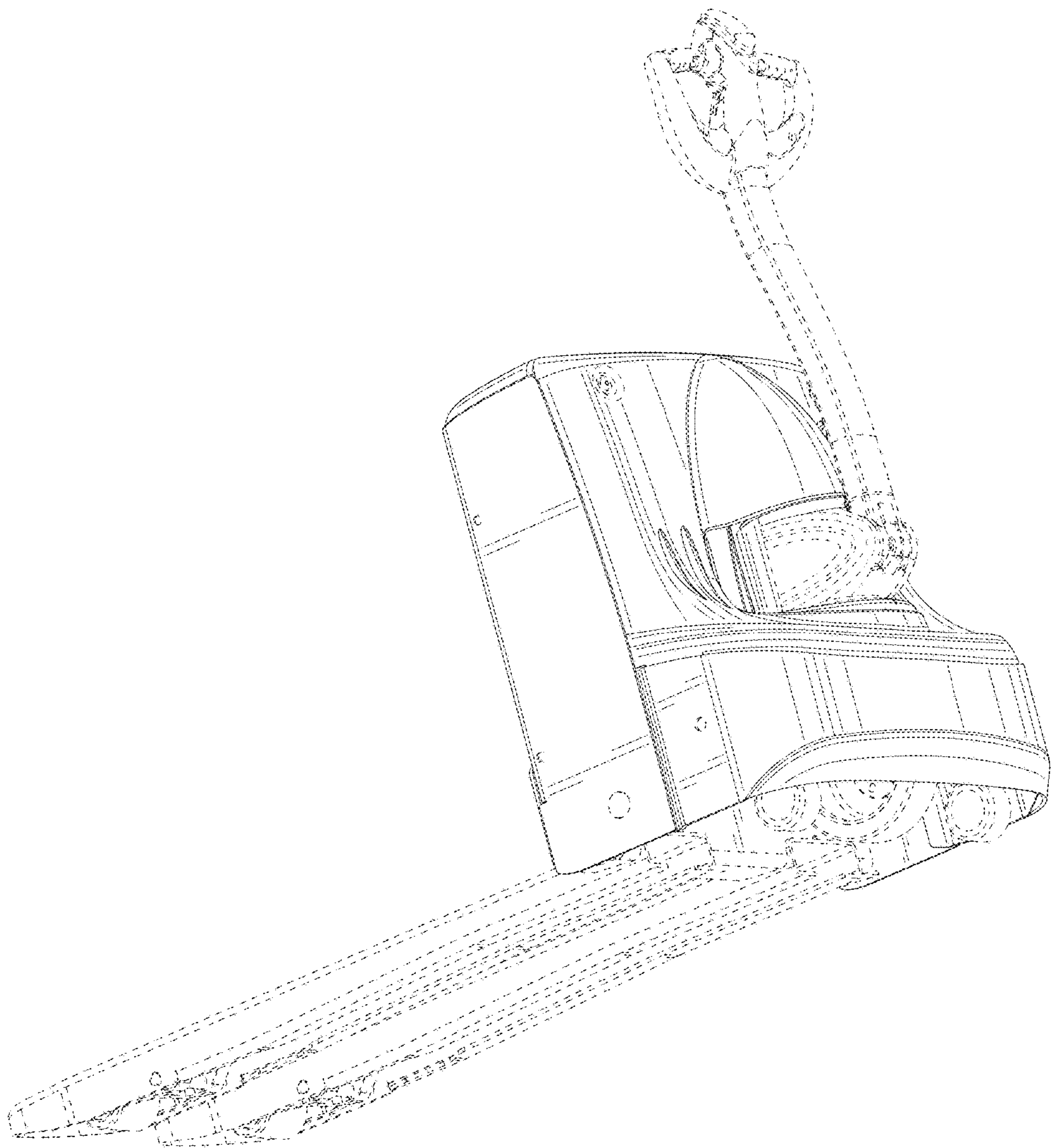


FIG. 3

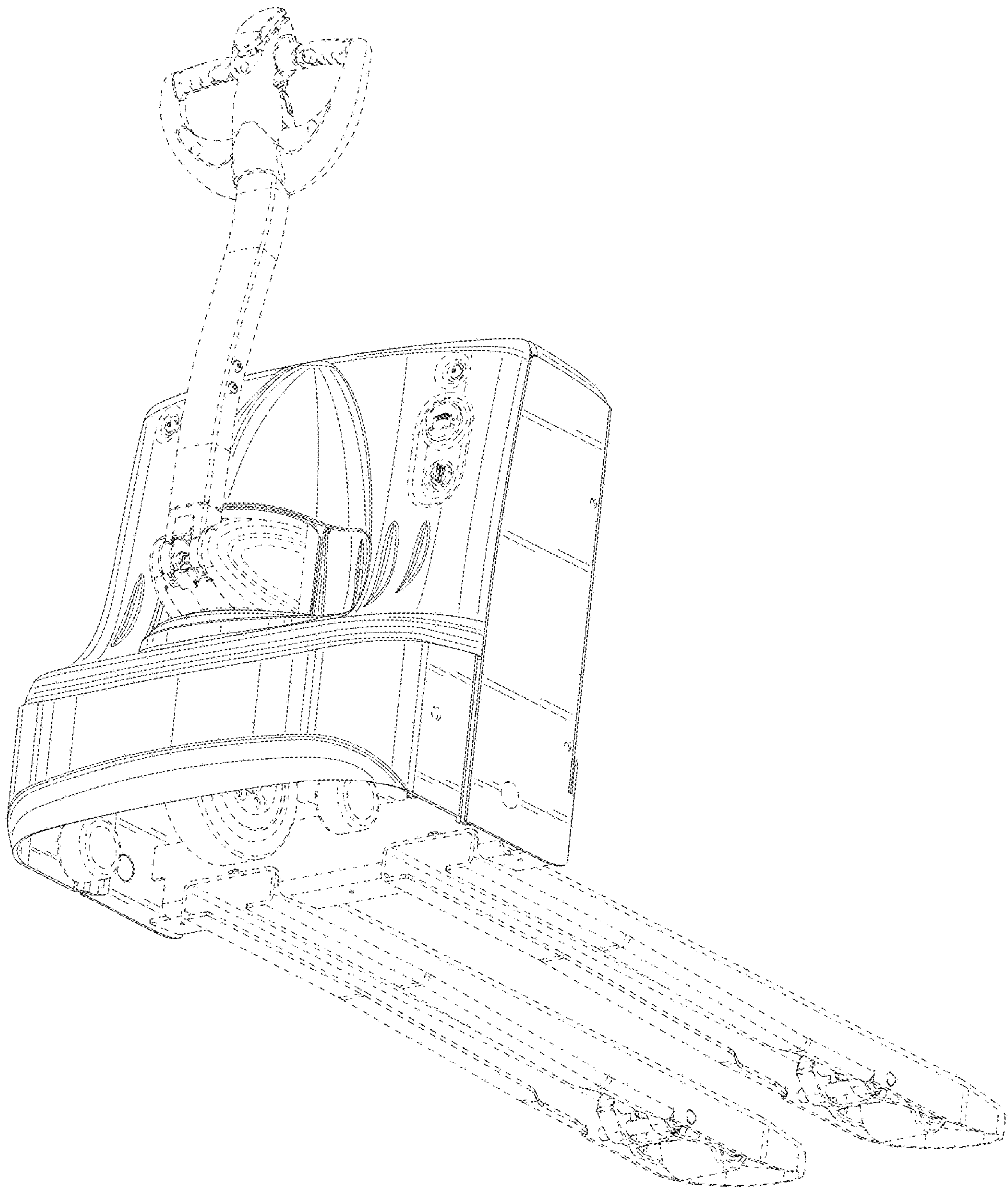


FIG. 4

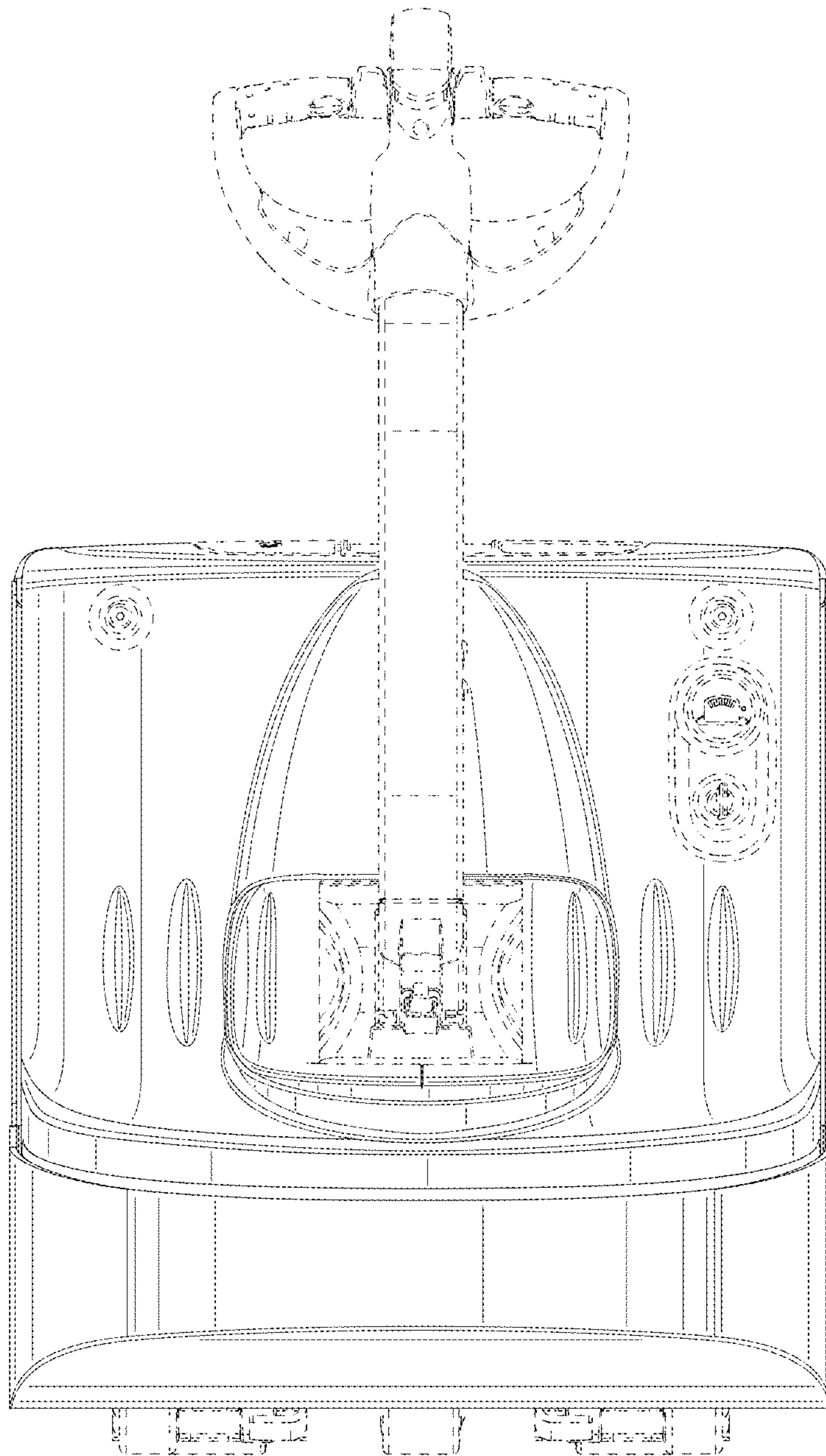


FIG. 5

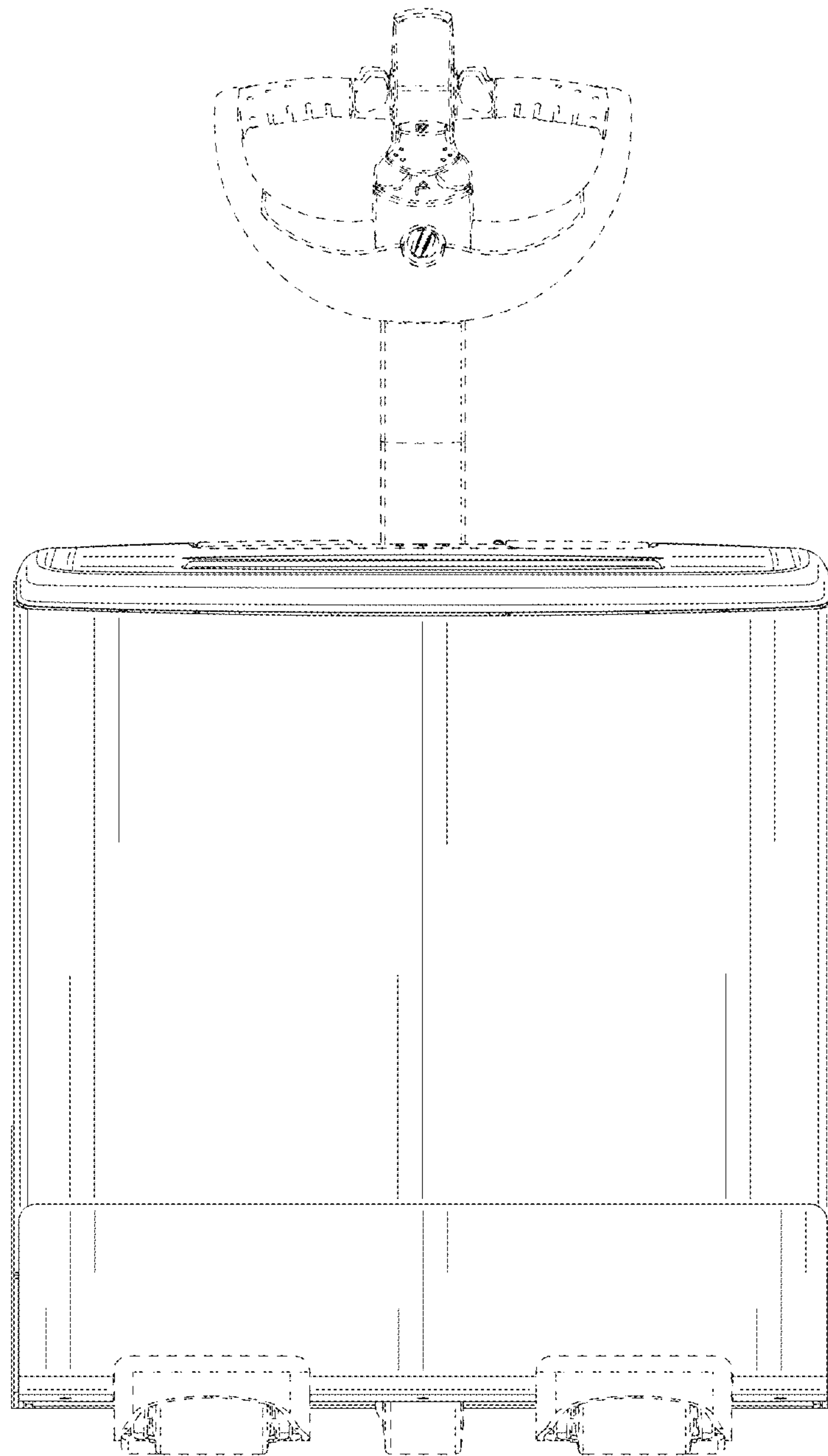


FIG. 6

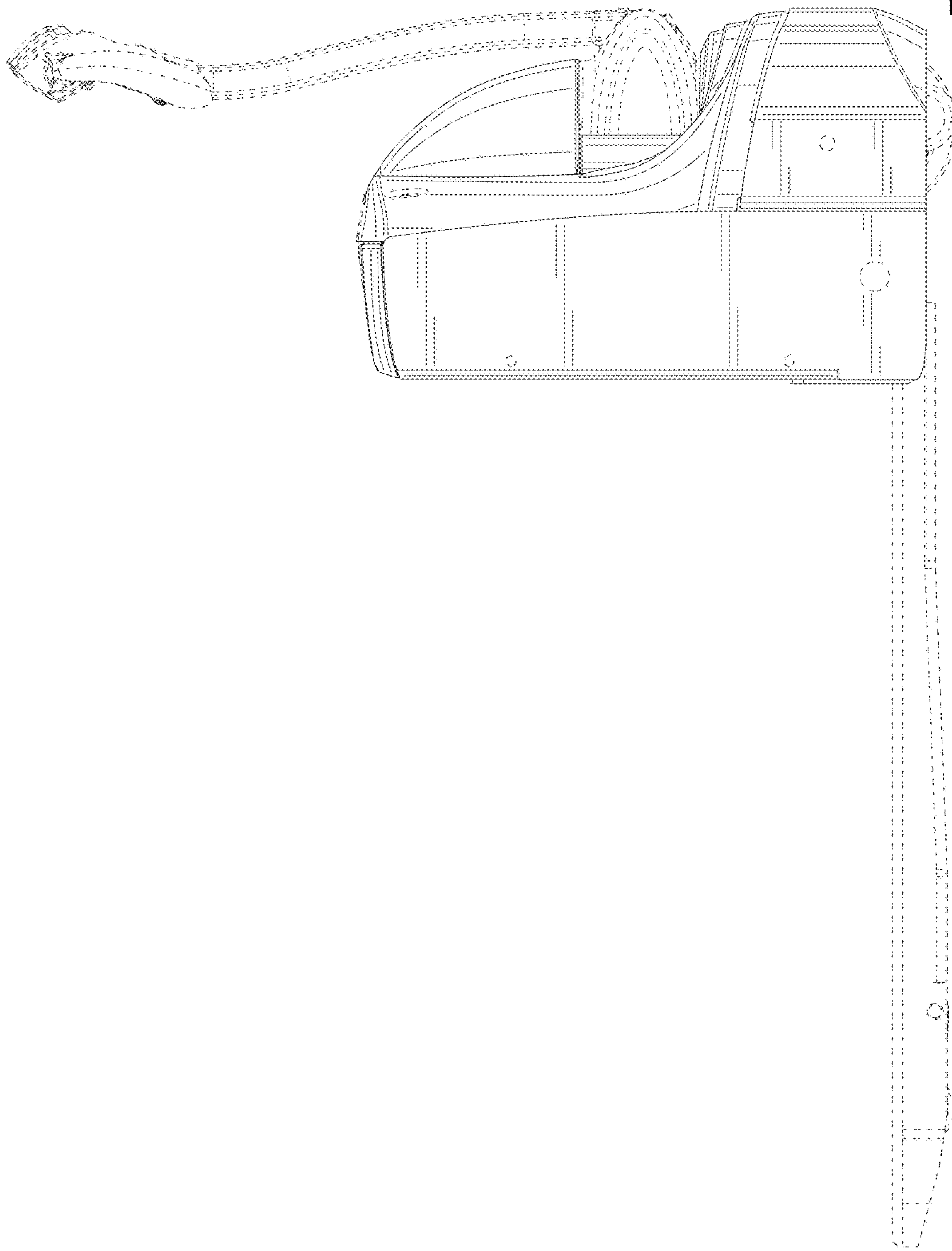


FIG. 7

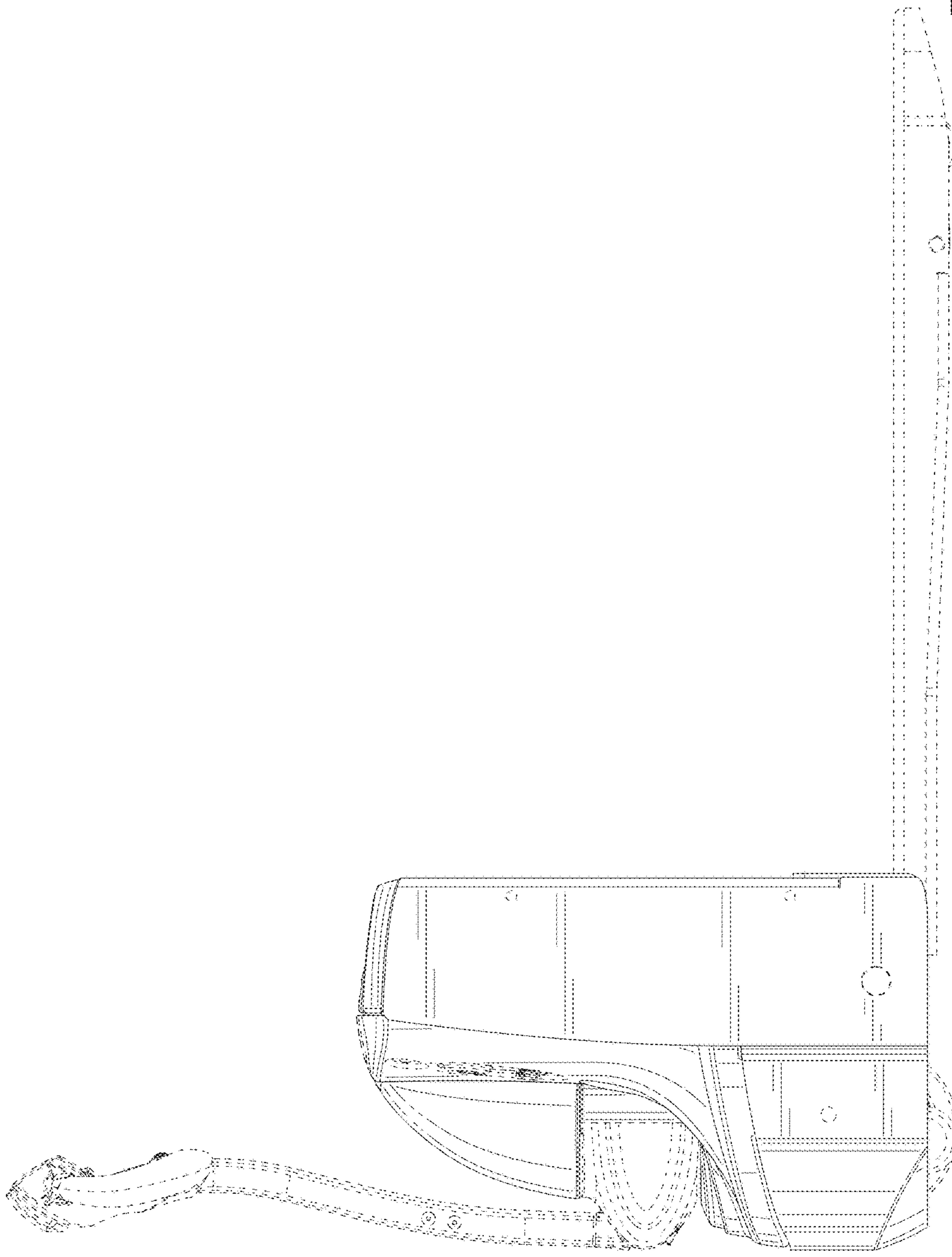


FIG. 8

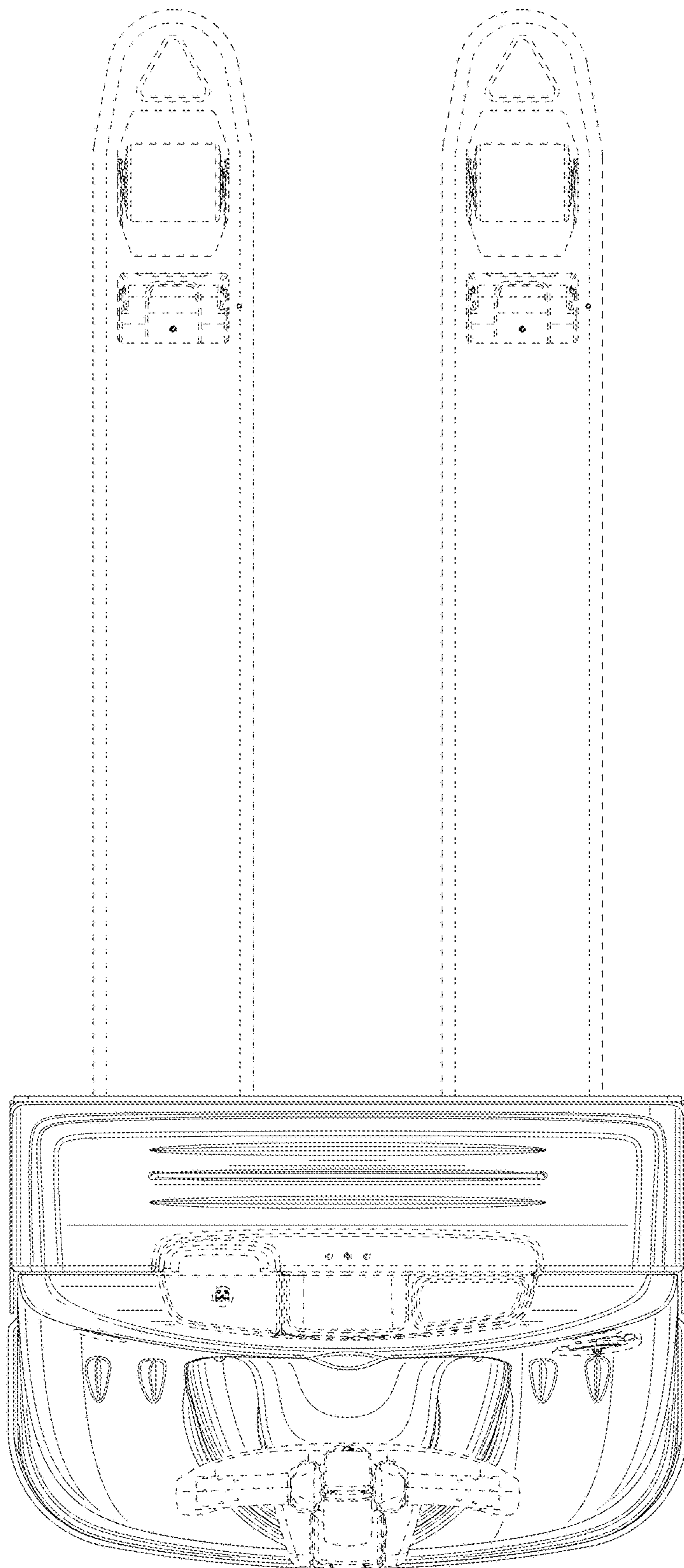


FIG. 9

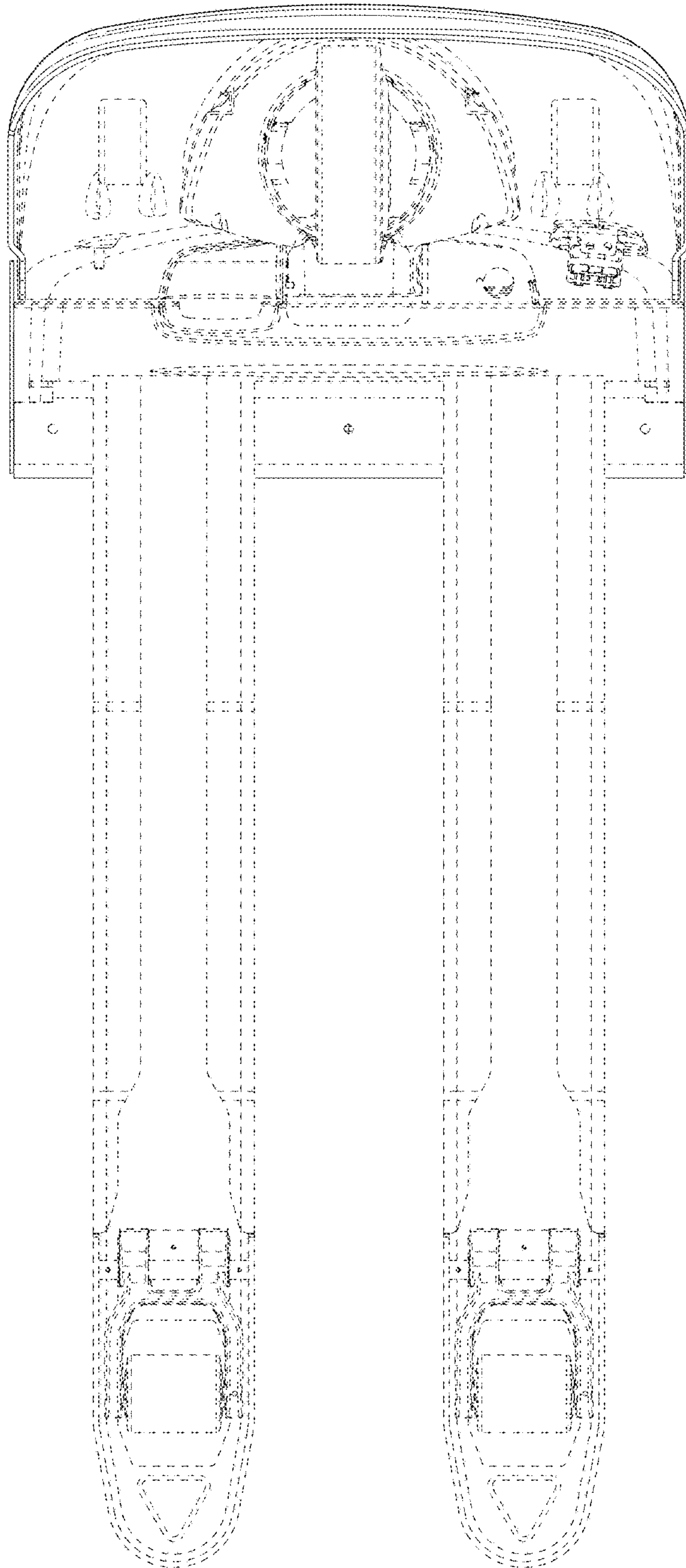


FIG. 10