



US00D807608S

(12) **United States Design Patent**
Katz et al.

(10) **Patent No.:** **US D807,608 S**
(45) **Date of Patent:** **** Jan. 9, 2018**

- (54) **SLUICE INSERT TRAY**
- (71) Applicants: **Dennis Katz**, North Bend, WA (US);
Kevin Bell, Galt, CA (US)
- (72) Inventors: **Dennis Katz**, North Bend, WA (US);
Kevin Bell, Galt, CA (US)
- (**) Term: **15 Years**
- (21) Appl. No.: **29/593,114**
- (22) Filed: **Feb. 6, 2017**
- (51) **LOC (11) Cl.** **12-05**
- (52) **U.S. Cl.**
USPC **D34/28; D34/32; D34/35**
- (58) **Field of Classification Search**
USPC D34/28, 29, 32, 33, 35; 414/537, 523
CPC . B65G 69/30; B60P 1/431; B60P 1/43; A61G
3/061
See application file for complete search history.

D783,923	S	*	4/2017	Bernart	D34/32
D793,024	S	*	7/2017	Bernart	D34/32
2003/0145398	A1	*	8/2003	Schomaker	B60P 1/43 14/69.5
2009/0300859	A1	*	12/2009	Lucht	B65G 69/30 14/69.5
2010/0242189	A1	*	9/2010	Goin	B60P 1/431 14/71.1
2015/0074924	A1	*	3/2015	Bernart	B65G 69/30 14/69.5

* cited by examiner

Primary Examiner — Cynthia Ramirez

(74) *Attorney, Agent, or Firm* — Dean A Craine; Marisa C. Whitaker

(57) **CLAIM**

The ornamental design for a sluice insert tray, as shown and described.

DESCRIPTION

FIG. 1 is a front perspective view of a sluice insert tray showing our new design.

FIG. 2 is a rear perspective view of the sluice insert tray shown in FIG. 1.

FIG. 3 is a top plan view of the sluice insert tray shown in FIGS. 1-2.

FIG. 4 is a left side elevational view of the sluice insert tray shown in FIGS. 1-3.

FIG. 5 is a bottom plan view of the sluice insert tray shown in FIGS. 1-4.

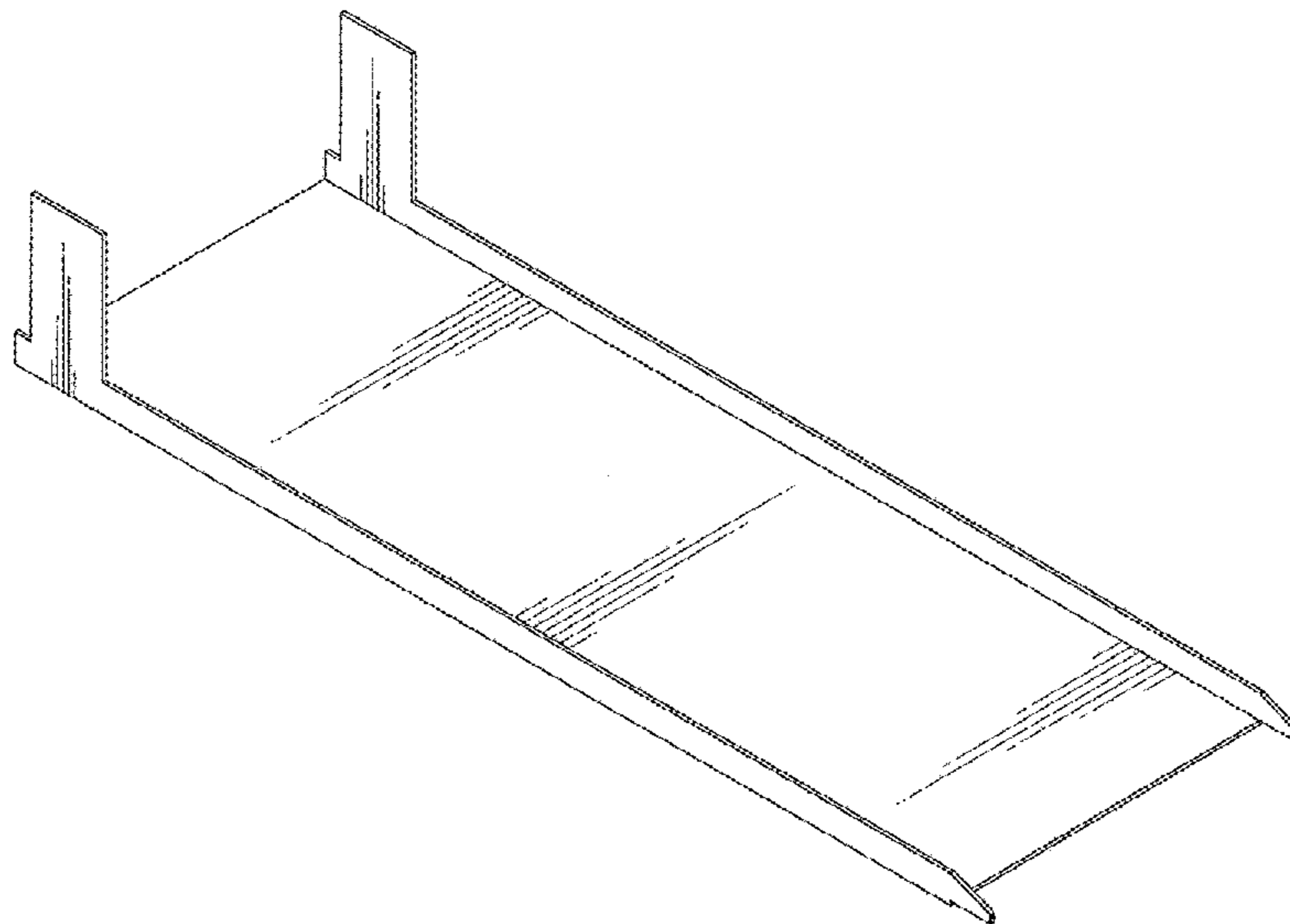
FIG. 6 is a right side elevational view of the sluice insert tray shown in FIGS. 1-5.

FIG. 7 is a rear elevational view of the sluice insert tray shown in FIGS. 1-6; and,

FIG. 8 is a front elevational view of the sluice insert tray shown in FIGS. 1-7.

1 Claim, 3 Drawing Sheets

- (56) **References Cited**
U.S. PATENT DOCUMENTS
- 860,752 A * 7/1907 Leach B60P 1/43
193/41
- 1,210,133 A * 12/1916 Baker B65G 69/30
14/69.5
- 1,348,142 A * 7/1920 Jaeger B65G 69/30
14/69.5
- 1,758,457 A * 5/1930 Miller B60P 1/43
280/847
- D248,225 S * 6/1978 Casteel D34/29
- D293,384 S * 12/1987 Brule D34/29
- D300,073 S * 2/1989 Crump D34/32
- D311,798 S * 10/1990 Boots D34/32
- D329,315 S * 9/1992 Loeffke D34/28
- D364,028 S * 11/1995 Rouleau D34/28
- D373,885 S * 9/1996 Holland, Jr. D34/32
- D617,972 S * 6/2010 Lucht D34/32
- D735,435 S * 7/2015 Guido, III D34/32



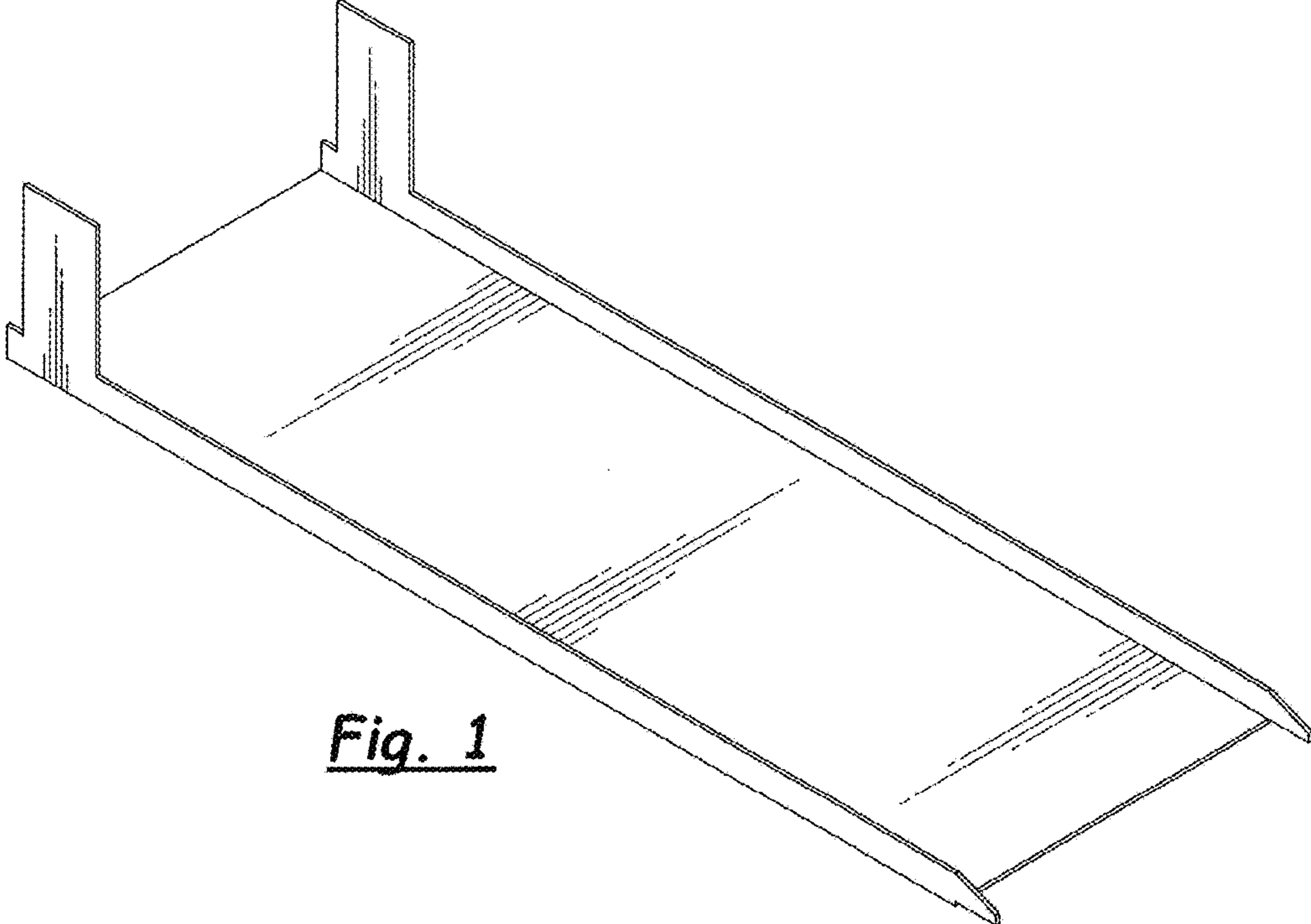


Fig. 1

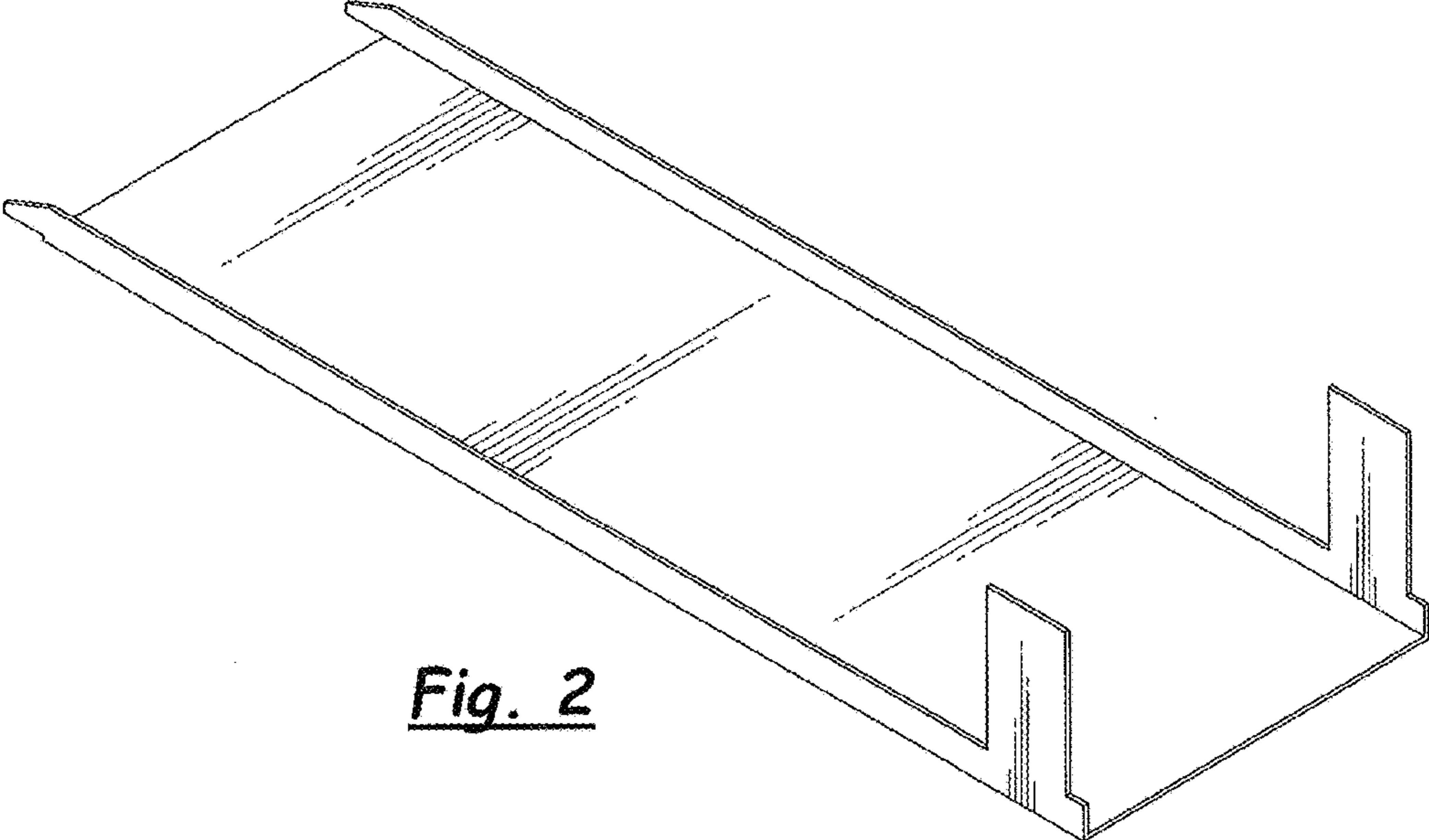


Fig. 2

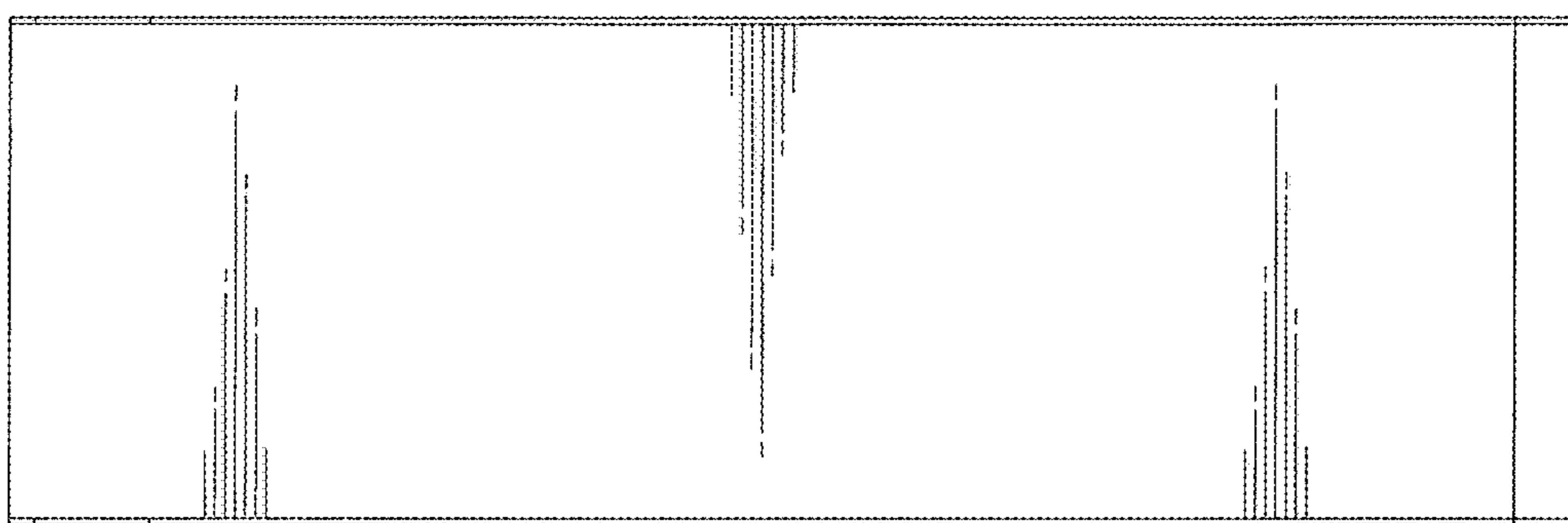


Fig. 3

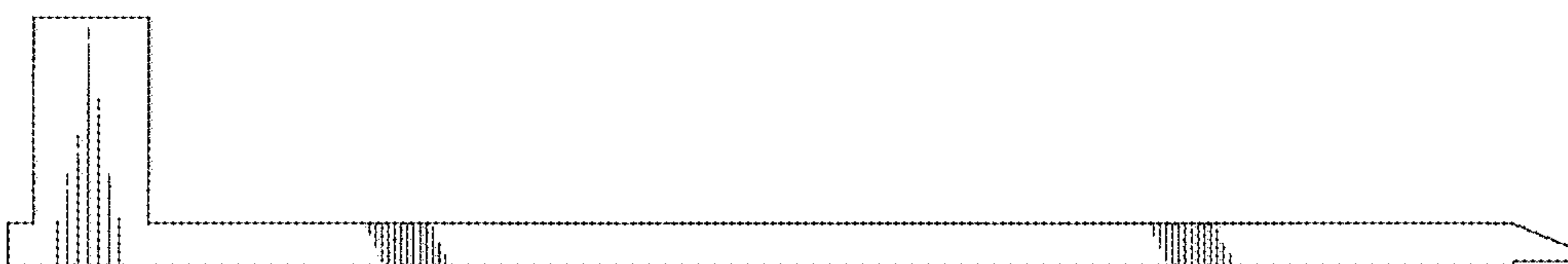


Fig. 4

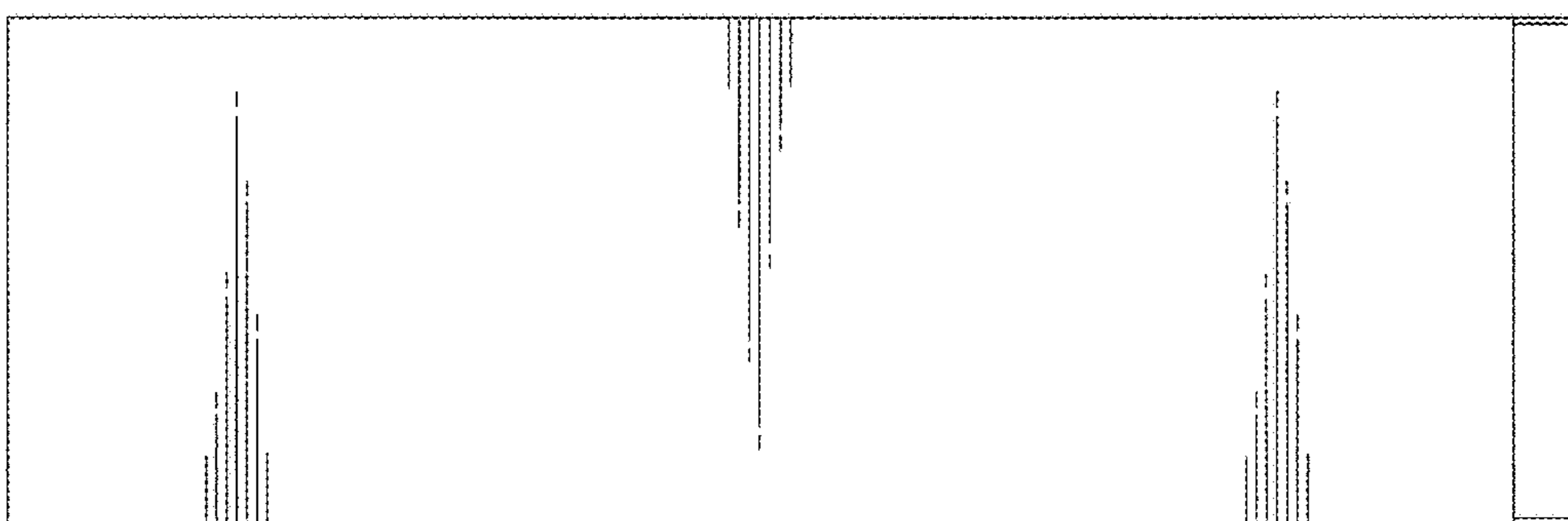


Fig. 5

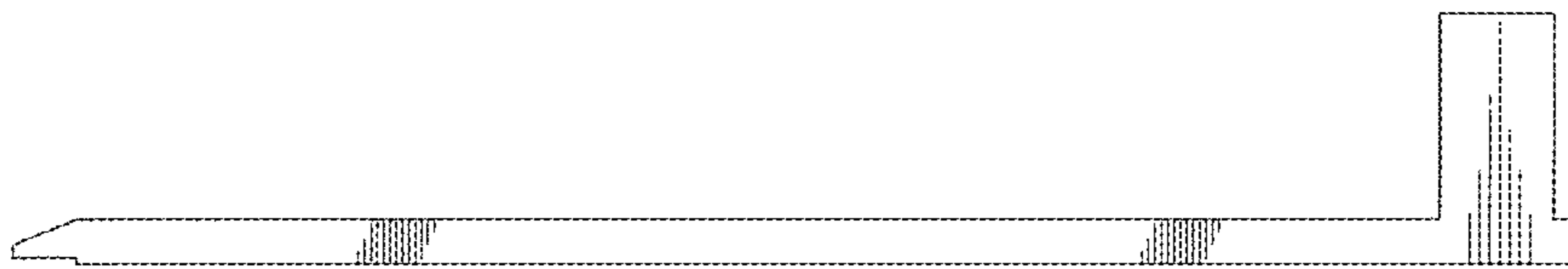


Fig. 6



Fig. 7



Fig. 8