

US00D807607S

(12) **United States Design Patent**  
**Mazur**

(10) **Patent No.:** **US D807,607 S**  
(45) **Date of Patent:** **\*\* Jan. 9, 2018**

(54) **PAINT SPRAYER APPARATUS FRAME**

(71) Applicant: **Wagner Spray Tech Corporation,**  
Plymouth, MN (US)

(72) Inventor: **Matthias Mazur,** Hamburg (DE)

(73) Assignee: **Wagner Spray Tech Corporation,**  
Plymouth, MN (US)

(\*\*) Term: **15 Years**

(21) Appl. No.: **29/565,301**

(22) Filed: **May 19, 2016**

(30) **Foreign Application Priority Data**

Nov. 24, 2015 (DE) ..... 40 2015 101 252

(51) **LOC (11) Cl.** ..... **12-02**

(52) **U.S. Cl.**  
USPC ..... **D34/12**

(58) **Field of Classification Search**  
USPC ..... D34/12-27; D23/225, 213; 239/308,  
239/146, 147, 722  
CPC .. B62B 1/10; B62B 1/264; B62B 1/14; B62B  
1/12; B62B 5/0083; B62B 5/14; B05B  
7/421; B05B 9/007

See application file for complete search history.

(56) **References Cited**

**U.S. PATENT DOCUMENTS**

D165,516 S \* 12/1951 Eging ..... D34/26  
D203,108 S \* 12/1965 Cohen ..... D34/26  
D268,960 S \* 5/1983 Havlick ..... D34/26  
D375,590 S \* 11/1996 Steinhart ..... D32/15

D399,031 S \* 9/1998 Prosper ..... D15/14  
D402,433 S \* 12/1998 Wells ..... D34/24  
D429,314 S \* 8/2000 Bower ..... D23/225  
D444,279 S \* 6/2001 Kristiansen ..... D34/12  
D451,257 S \* 11/2001 Moritsch ..... D34/20  
D455,882 S \* 4/2002 Ziolkowski ..... B62B 1/264  
D509,938 S \* 9/2005 Belmont ..... D34/12  
D590,110 S \* 4/2009 Hawkins ..... D32/25  
D622,471 S \* 8/2010 Hernandez ..... D34/12  
D688,841 S \* 8/2013 van Deursen ..... D32/25  
D733,373 S \* 6/2015 Kahan ..... D32/16  
D779,746 S \* 2/2017 Weinberg ..... D32/16

\* cited by examiner

*Primary Examiner* — Cynthia Ramirez

(74) *Attorney, Agent, or Firm* — Christopher J.  
Volkman; Kelly, Holt & Christenson, PLLC

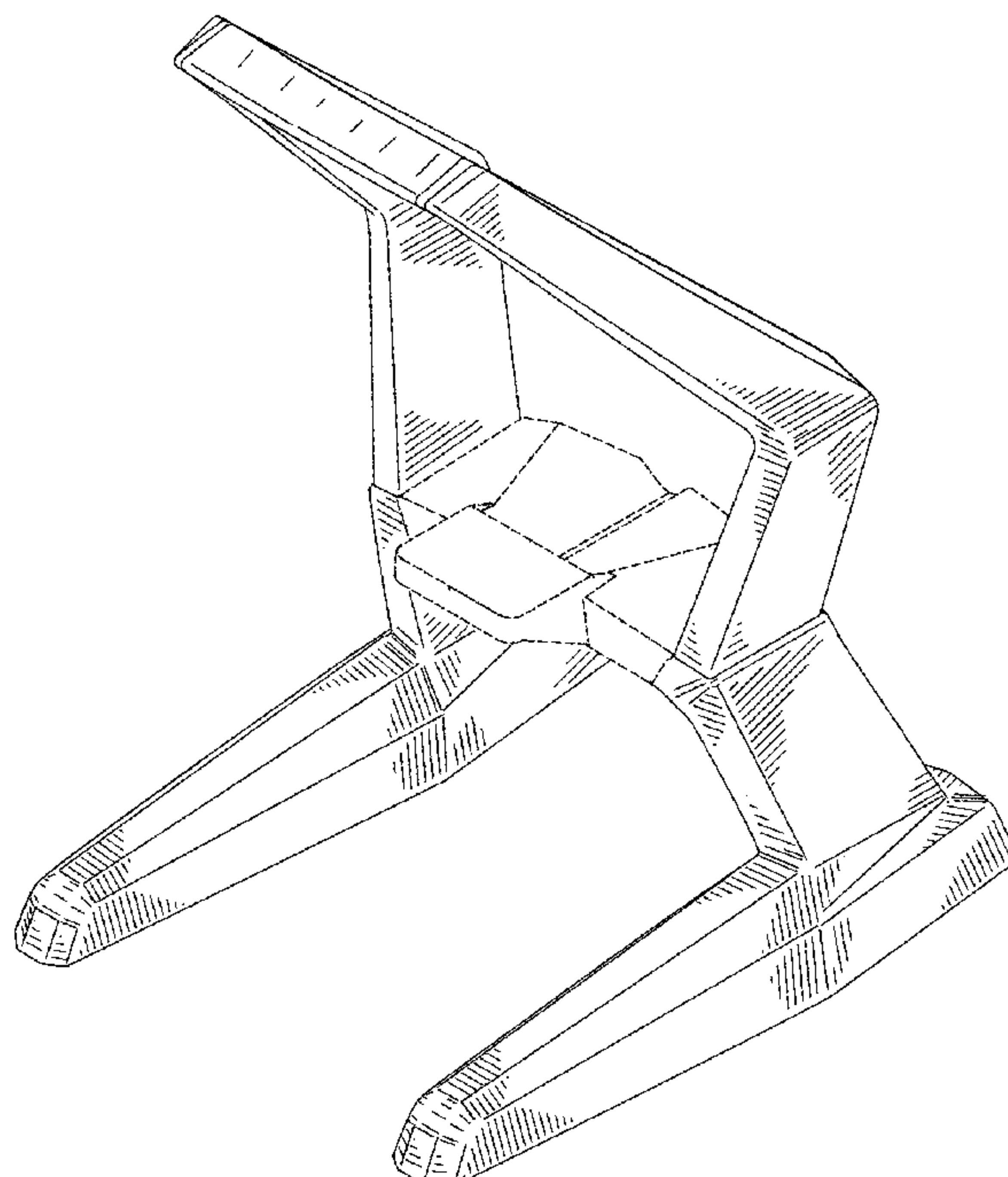
(57) **CLAIM**

The ornamental design for a paint sprayer apparatus frame,  
as shown and described.

**DESCRIPTION**

FIG. 1 is a perspective view of a paint sprayer apparatus  
frame showing my new design;  
FIG. 2 is a front view thereof;  
FIG. 3 is a back view thereof;  
FIG. 4 is a right side view thereof;  
FIG. 5 is a left side view thereof;  
FIG. 6 is a top plan view thereof; and,  
FIG. 7 is a bottom plan view thereof.  
The broken lines shown in the Figures are for the purpose of  
illustrating portions of the paint sprayer apparatus frame and  
form no part of the claimed design.

**1 Claim, 7 Drawing Sheets**



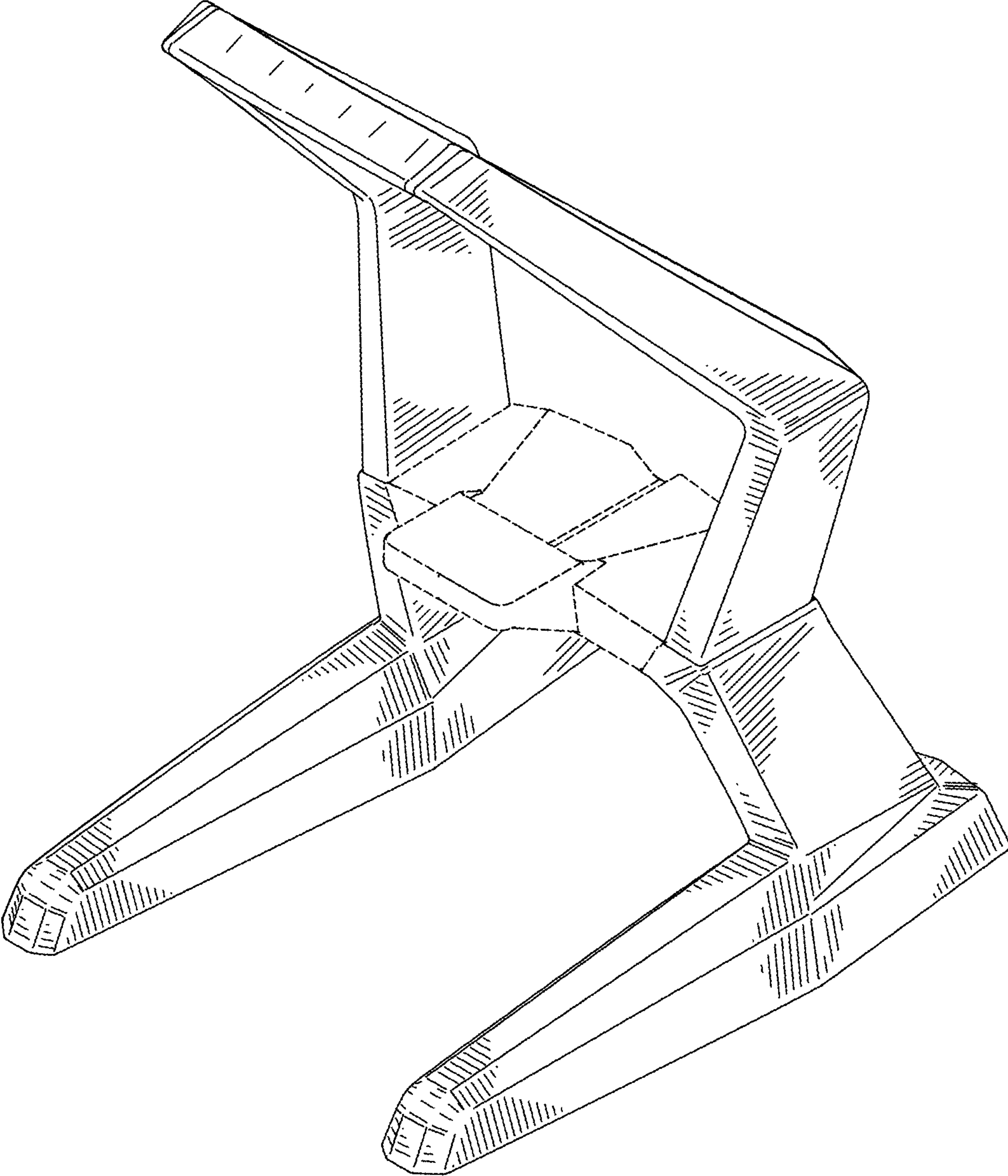


Fig. 1

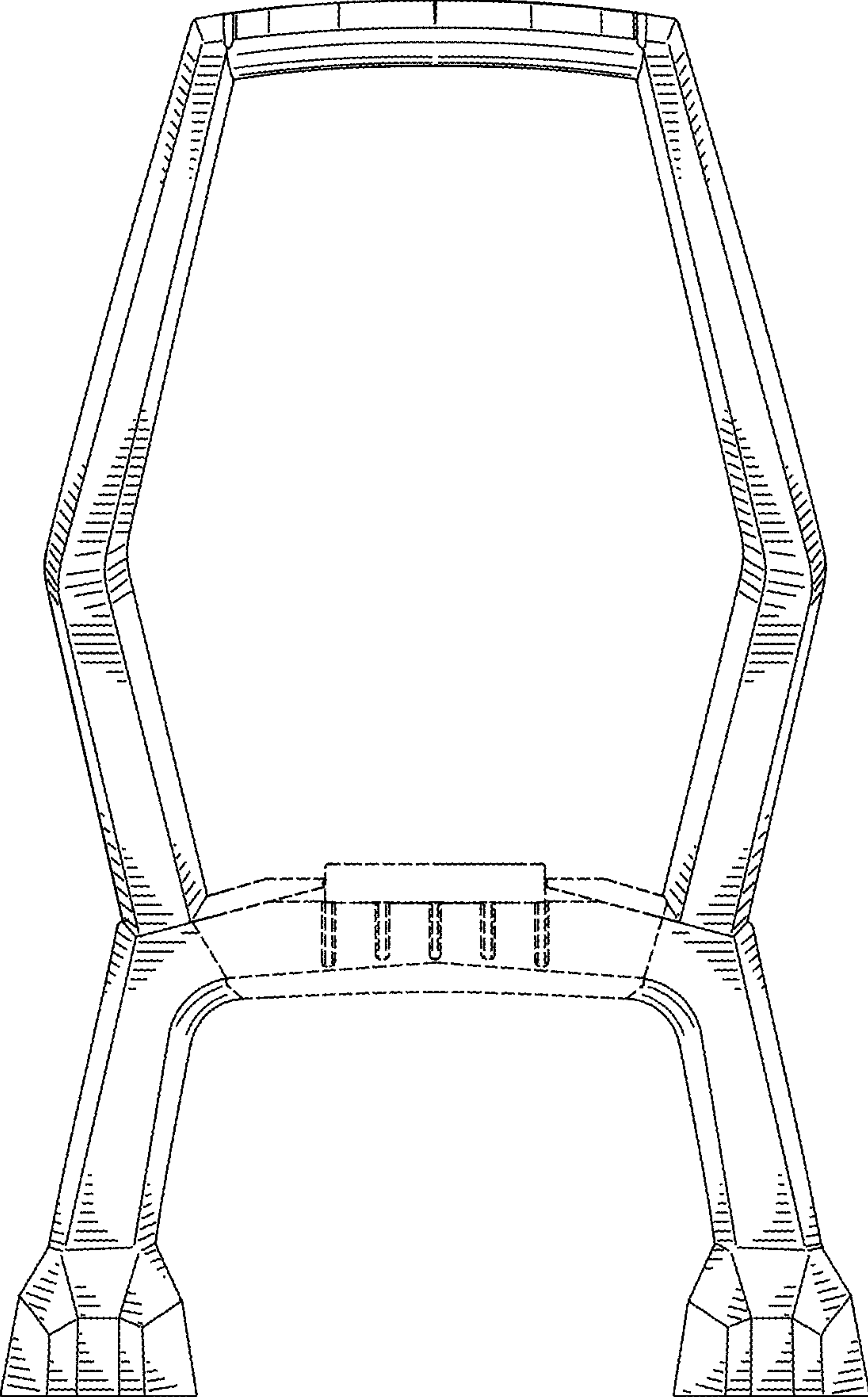


Fig. 2

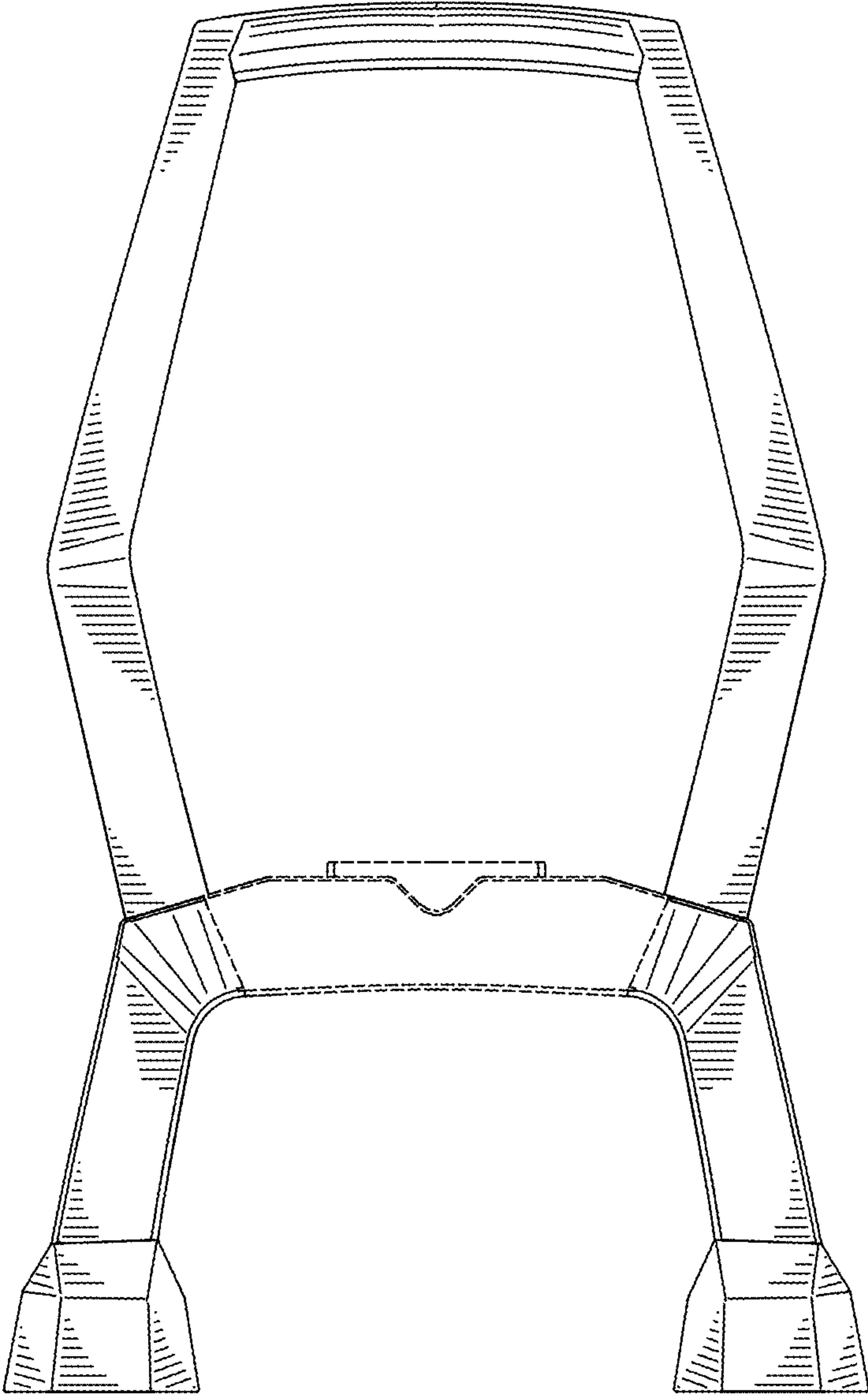


Fig. 3

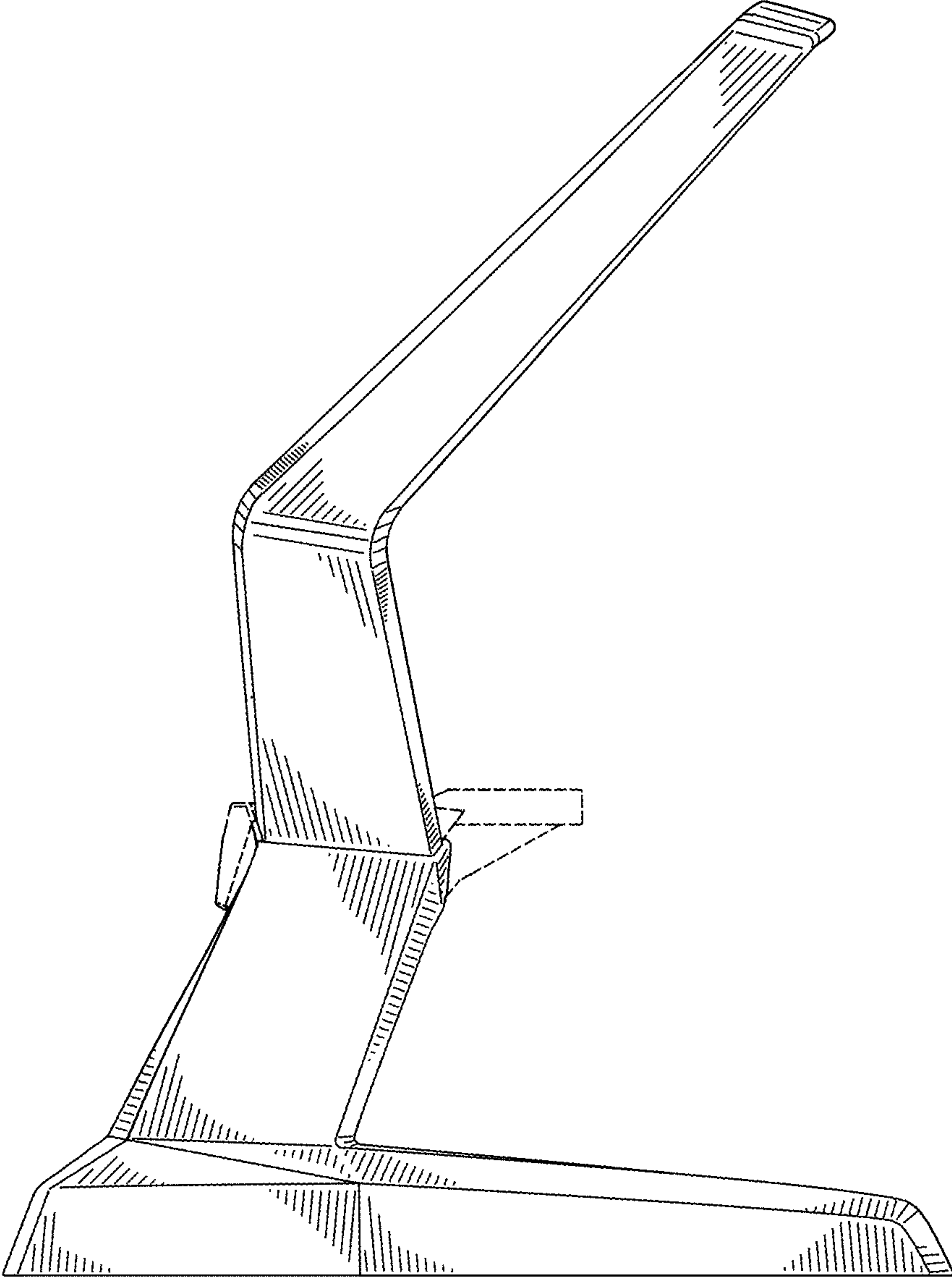


Fig. 4



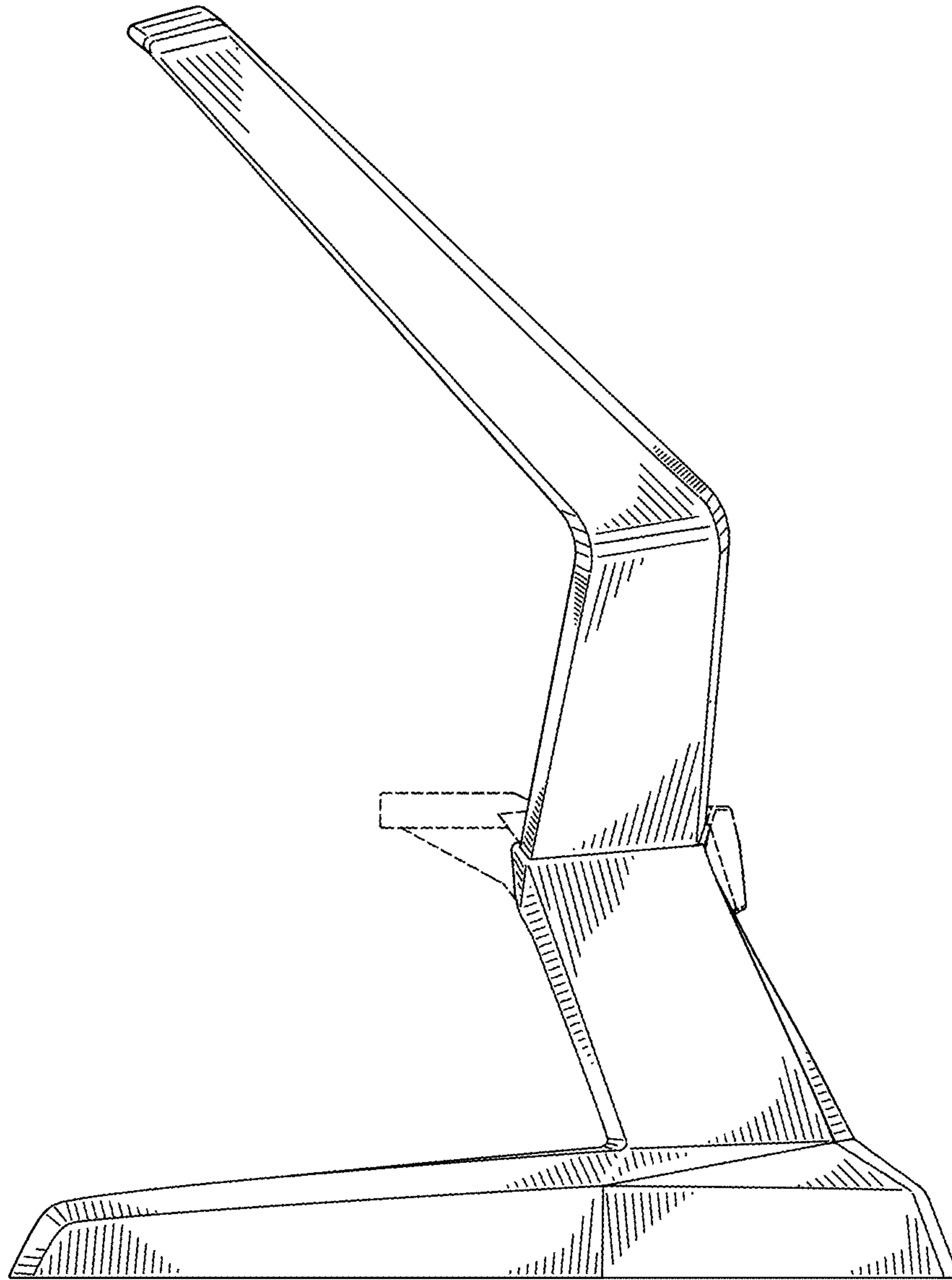


Fig. 5

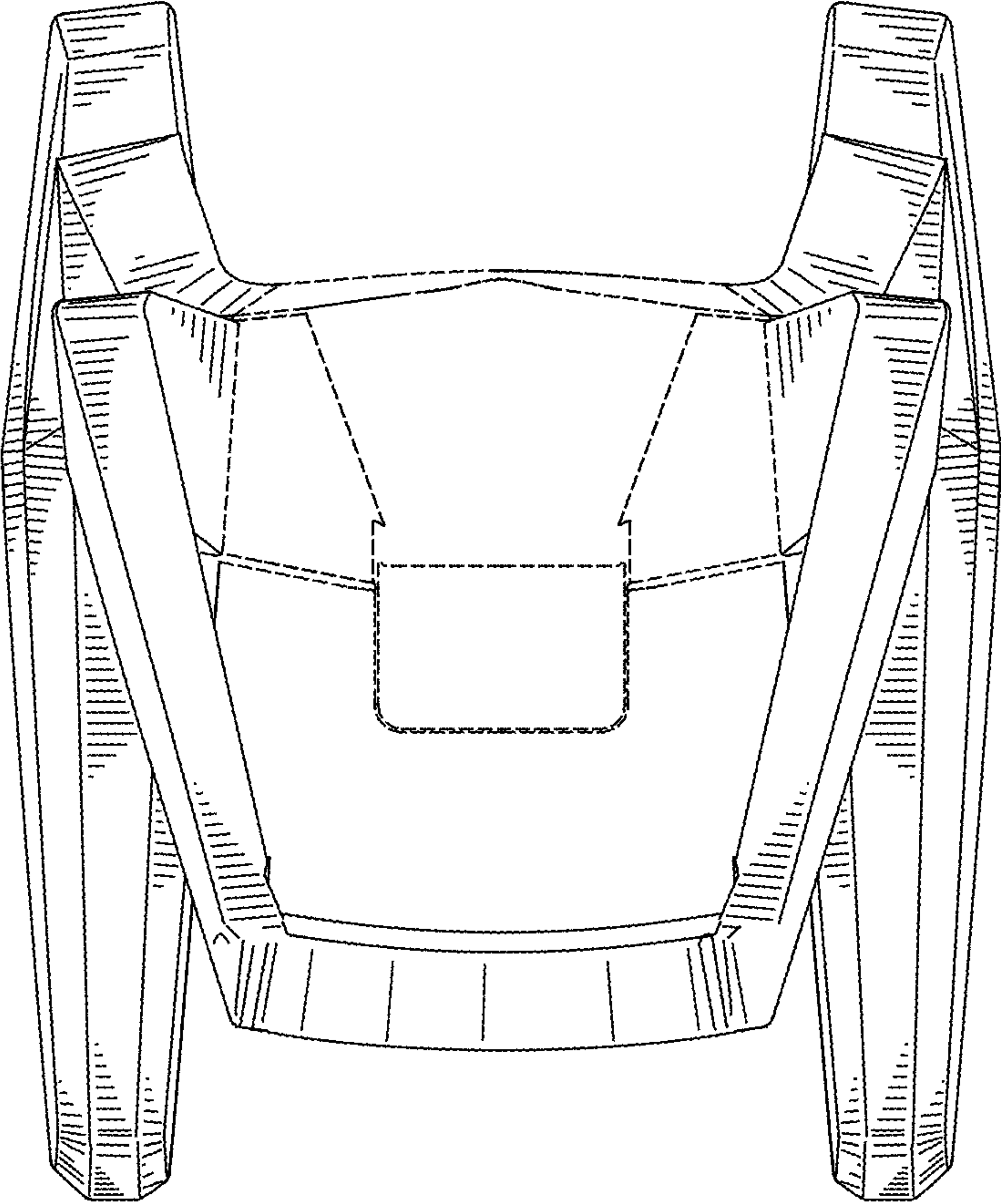


Fig. 6

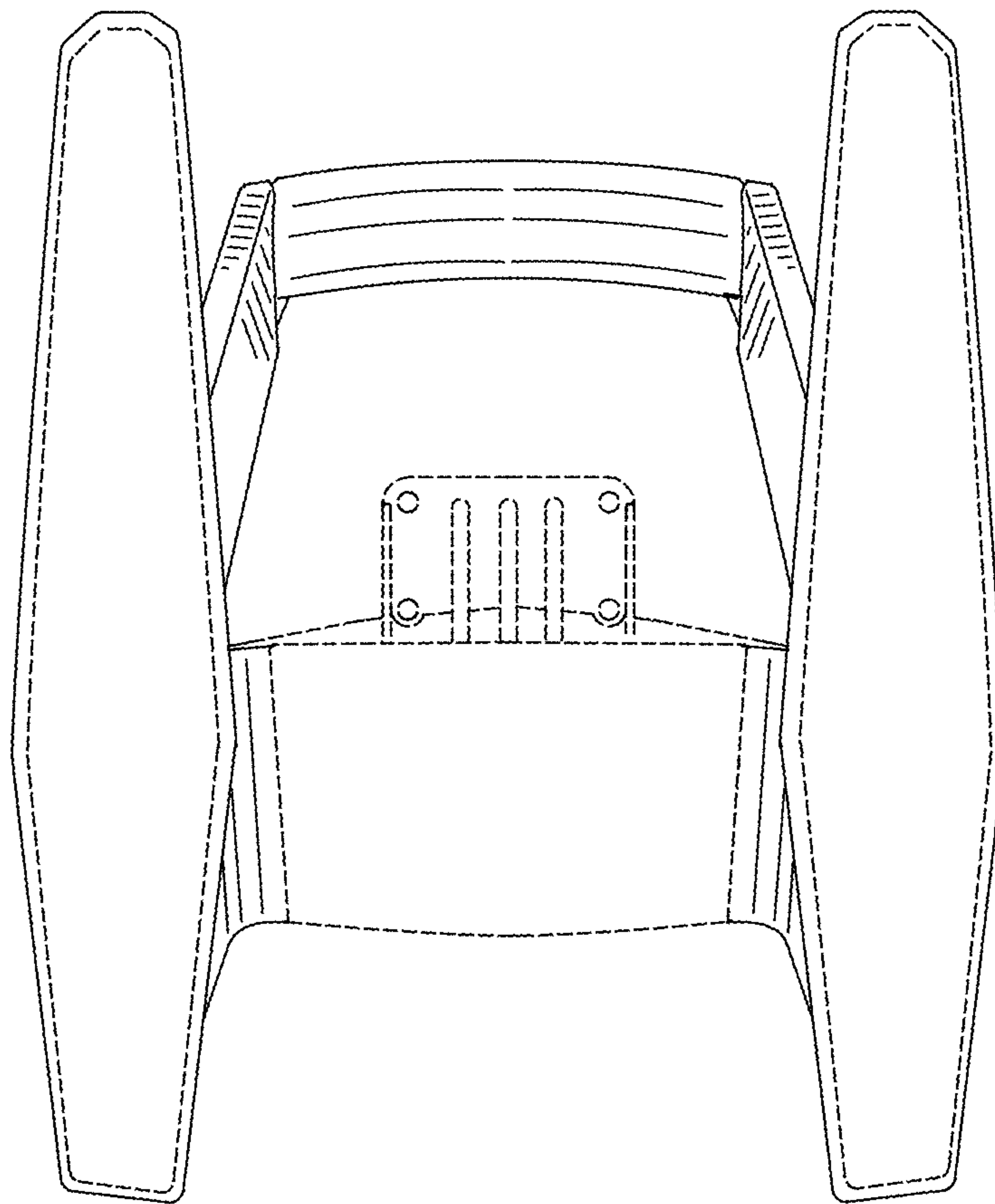


Fig. 7