



US00D807603S

(12) **United States Design Patent**
Roschi

(10) **Patent No.:** **US D807,603 S**
(45) **Date of Patent:** **** Jan. 9, 2018**

(54) **NOZZLE FOR A VACUUM CLEANER**

(56) **References Cited**

(71) Applicant: **NEW ERMIES EUROPE S.r.l.**, Crosio della Valle (VA) (IT)

U.S. PATENT DOCUMENTS

(72) Inventor: **Riccardo Roschi**, Crosio della Valle (IT)

D456,967 S *	5/2002	Santiago	D32/32
D457,696 S *	5/2002	Worwag	D32/32
D507,854 S *	7/2005	Kim	D32/32
D649,725 S *	11/2011	Fjellman	D32/32
D672,103 S *	12/2012	Dyson	D32/32
D741,559 S *	10/2015	Marsden	D32/32
D770,711 S *	11/2016	Okada	D32/32
D775,443 S *	12/2016	Kwon	D32/33
D787,766 S *	5/2017	Nam	D32/32
D789,007 S *	6/2017	Jang	D32/32
D796,136 S *	8/2017	Reynolds	D32/33

(73) Assignee: **NEW ERMES EUROPE S.R.L.**, Crosio Della Valle (VA) (IT)

(**) Term: **15 Years**

* cited by examiner

(21) Appl. No.: **29/588,973**

Primary Examiner — Ruth McInroy

(22) Filed: **Dec. 27, 2016**

(74) *Attorney, Agent, or Firm* — Nixon & Vanderhye P.C.

(30) **Foreign Application Priority Data**

(57) **CLAIM**

Sep. 6, 2016 (EM) 003367341

The ornamental design for a nozzle for a vacuum cleaner, as shown and described.

(51) **LOC (11) Cl.** **15-05**

DESCRIPTION

(52) **U.S. Cl.**

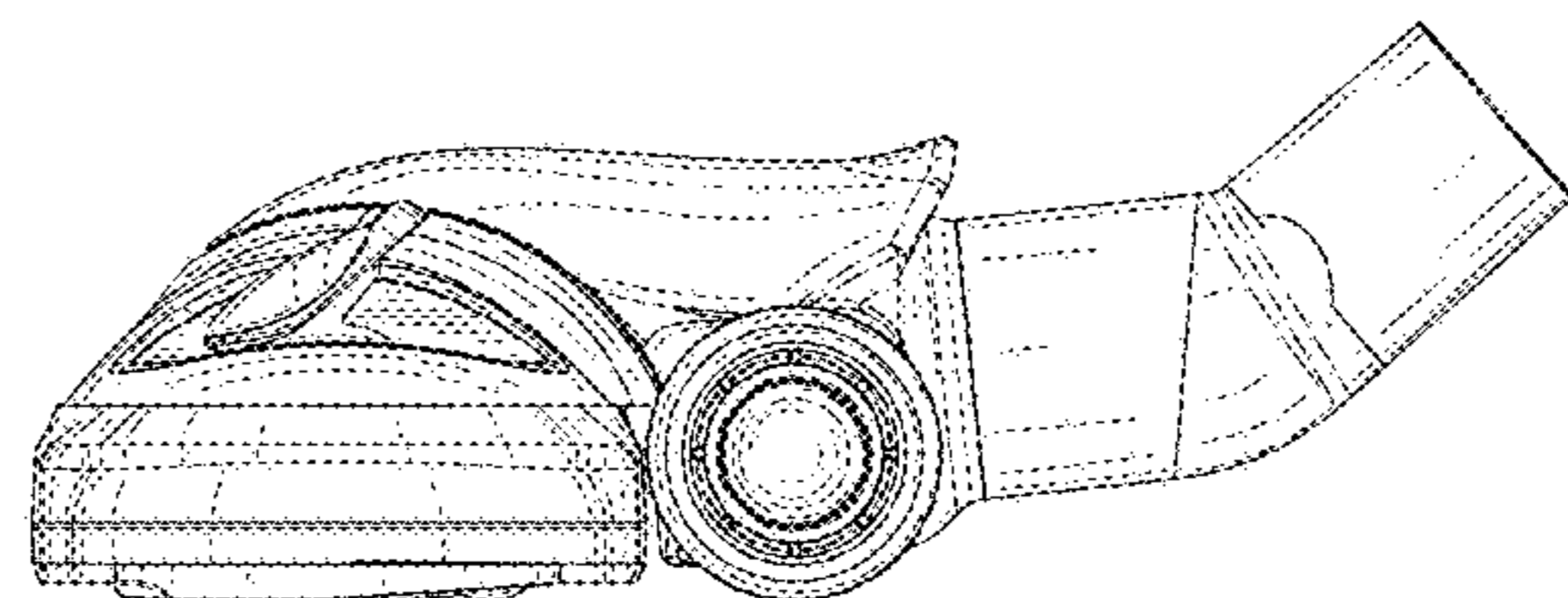
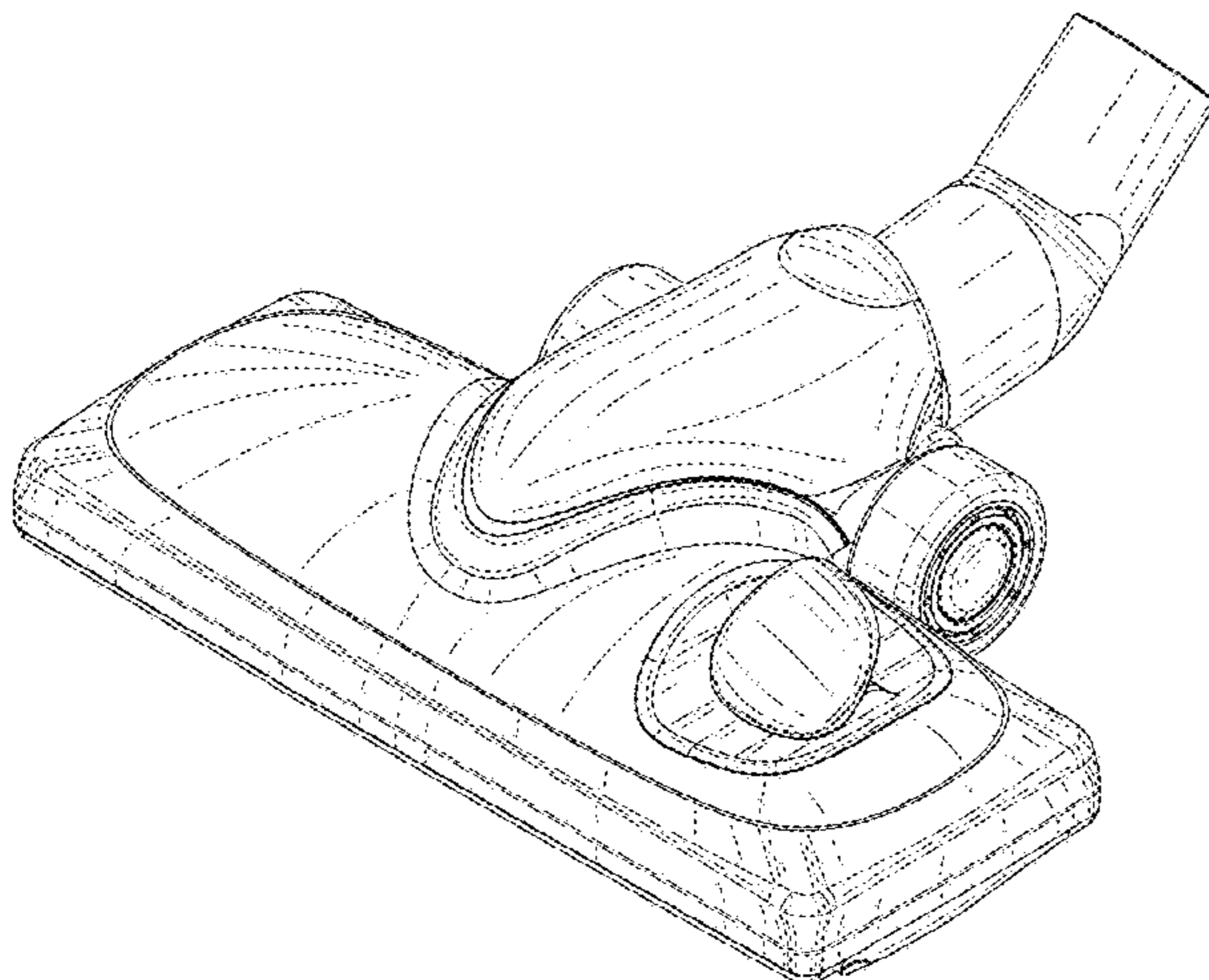
USPC **D32/32**

(58) **Field of Classification Search**

USPC D32/17-18, 21-22, 31, 34, 69-70, 72
CPC A47L 5/24; A47L 5/38; A47L 5/28; A47L 11/4044; A47L 11/34; A47L 7/0038; A47L 9/325; A47L 9/02; A47L 1/08; D01H 11/006; B60S 1/64; A46B 11/001; A46B 11/002; B08B 3/026; B08B 3/028
See application file for complete search history.

FIG. 1 is a front, right, top perspective view of a nozzle for a vacuum cleaner in accordance with my new design;
FIG. 2 is a front elevation view thereof;
FIG. 3 is a back elevation view thereof;
FIG. 4 is a top plan view thereof;
FIG. 5 is a bottom plan view thereof;
FIG. 6 is a right side elevation view thereof; and,
FIG. 7 is a left side elevation view thereof.

1 Claim, 7 Drawing Sheets



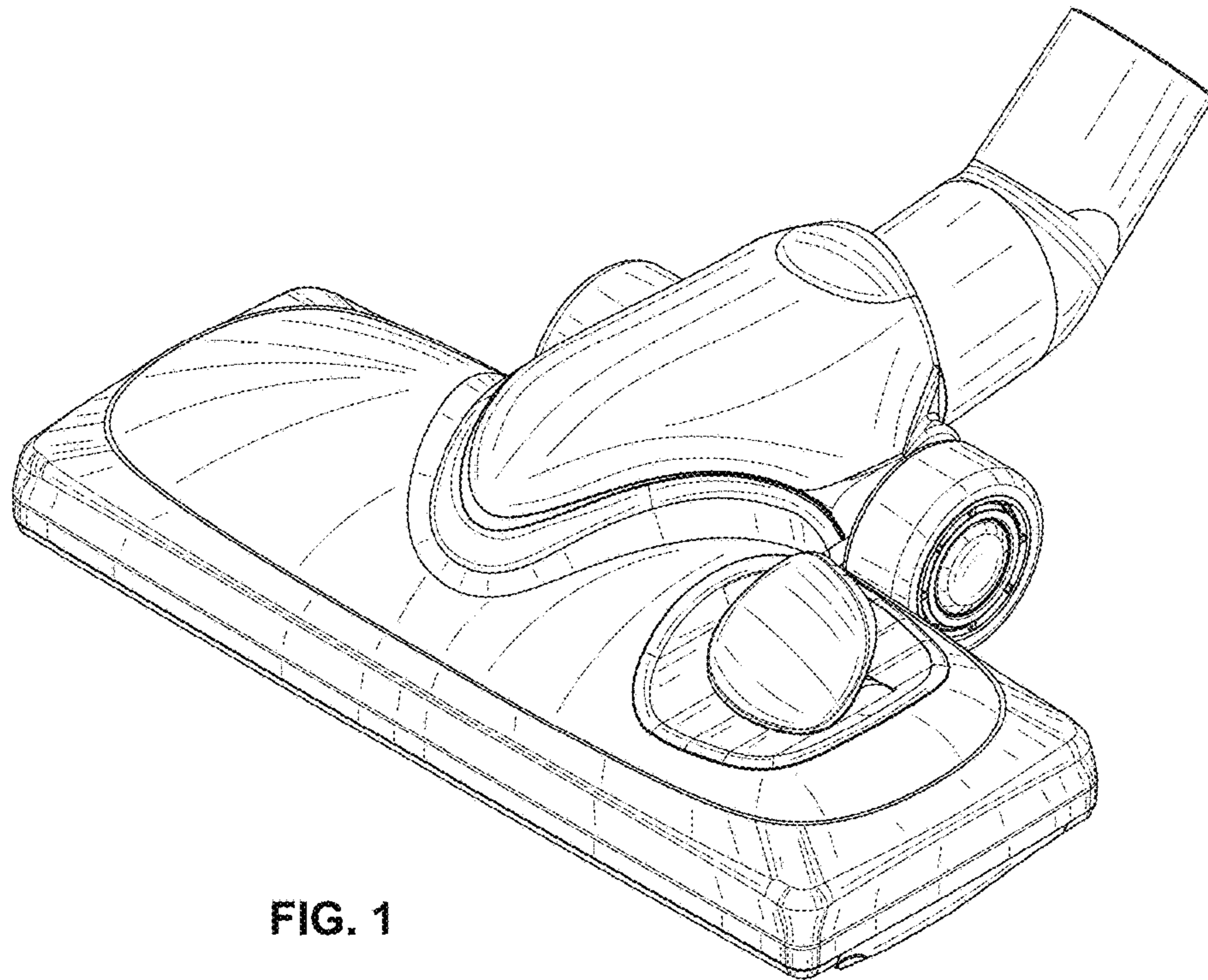


FIG. 1

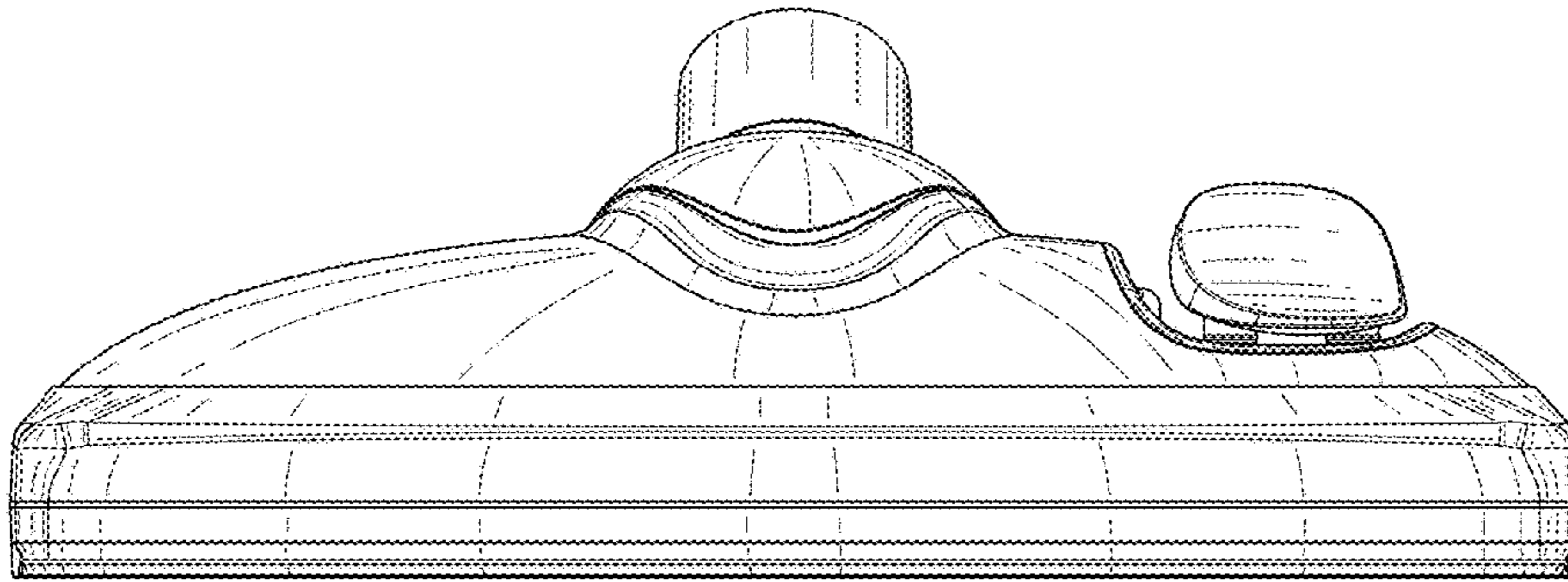


FIG. 2

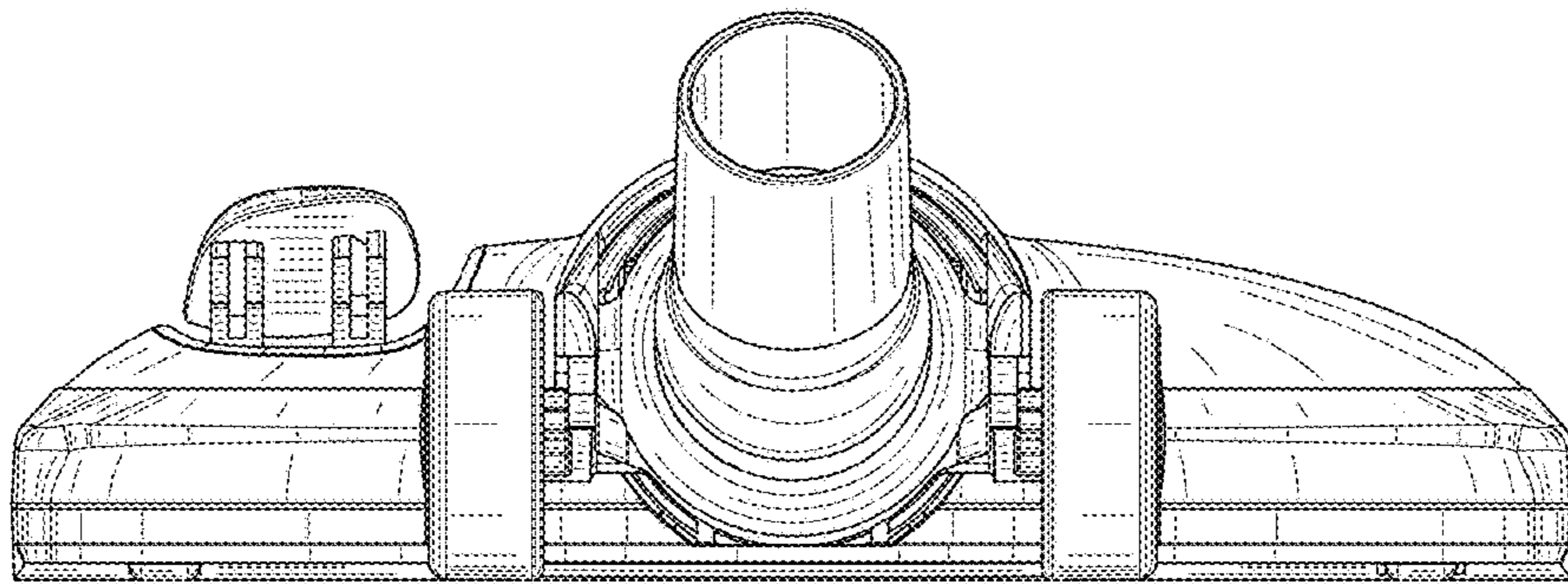


FIG. 3

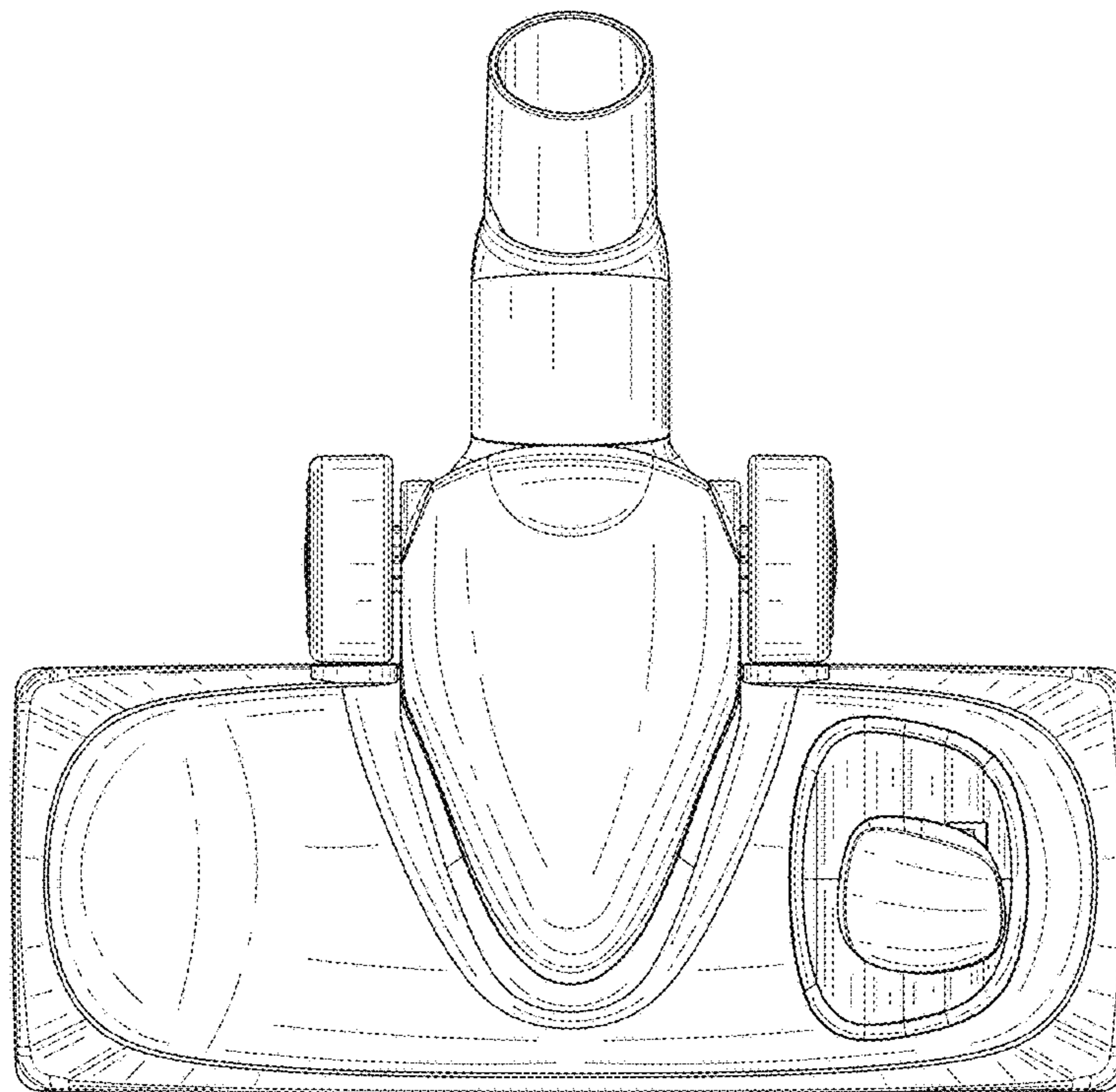


FIG. 4

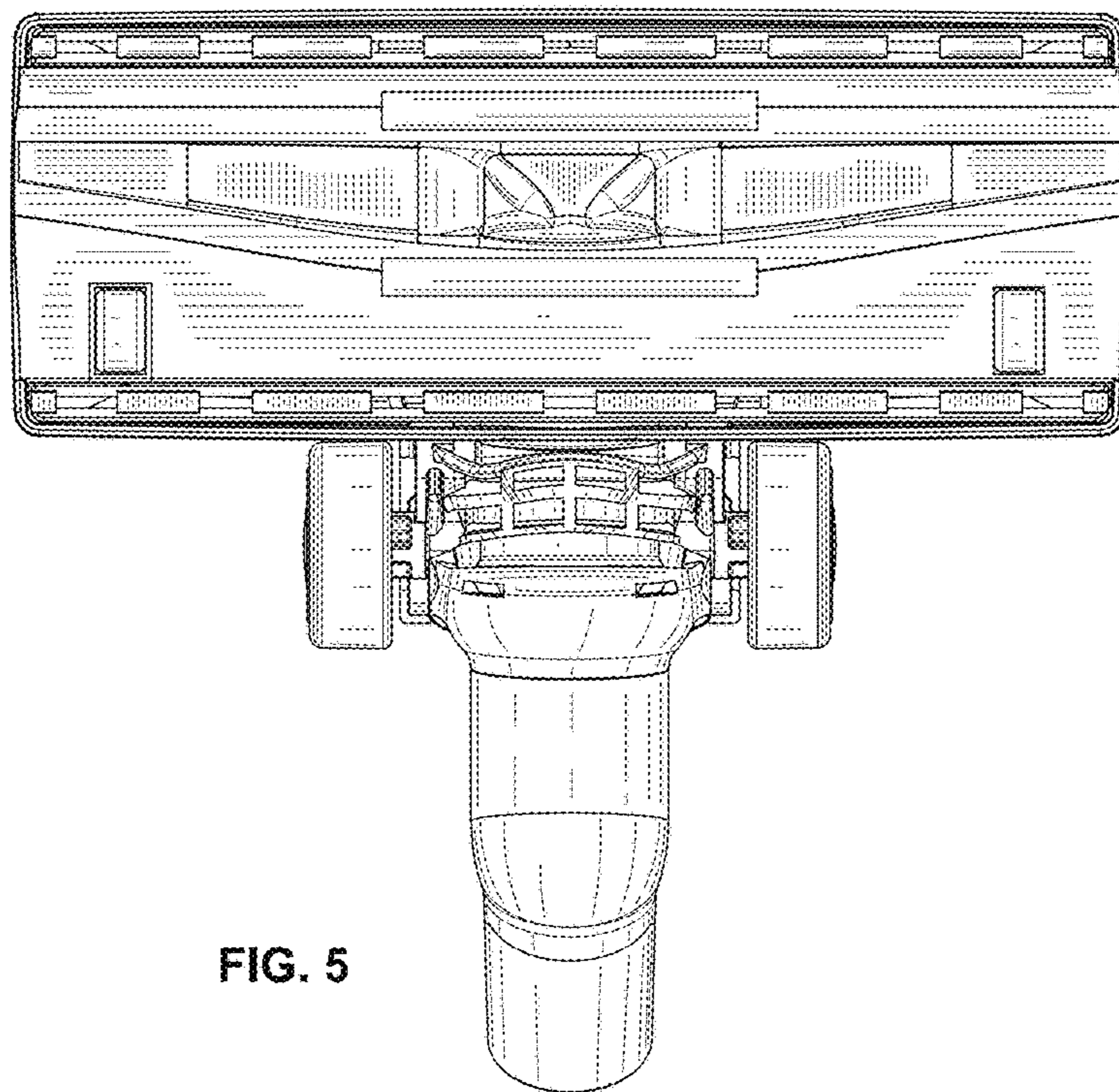


FIG. 5

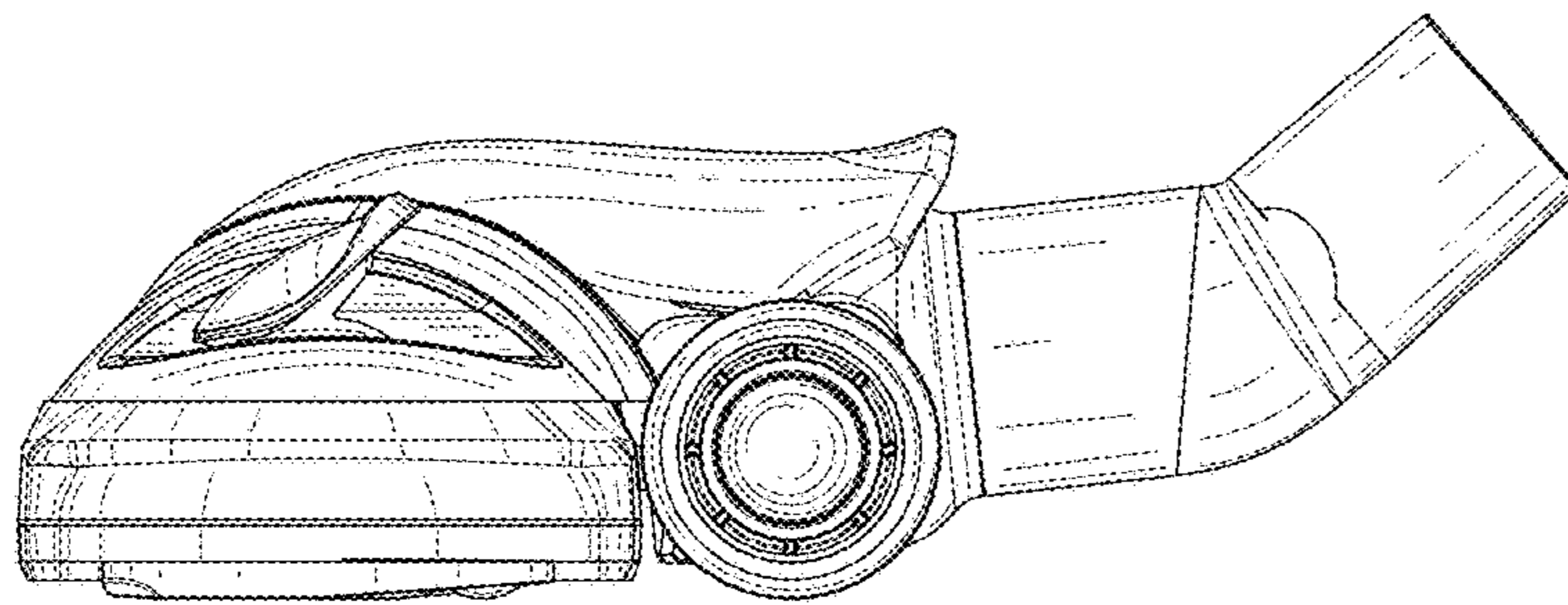


FIG. 6

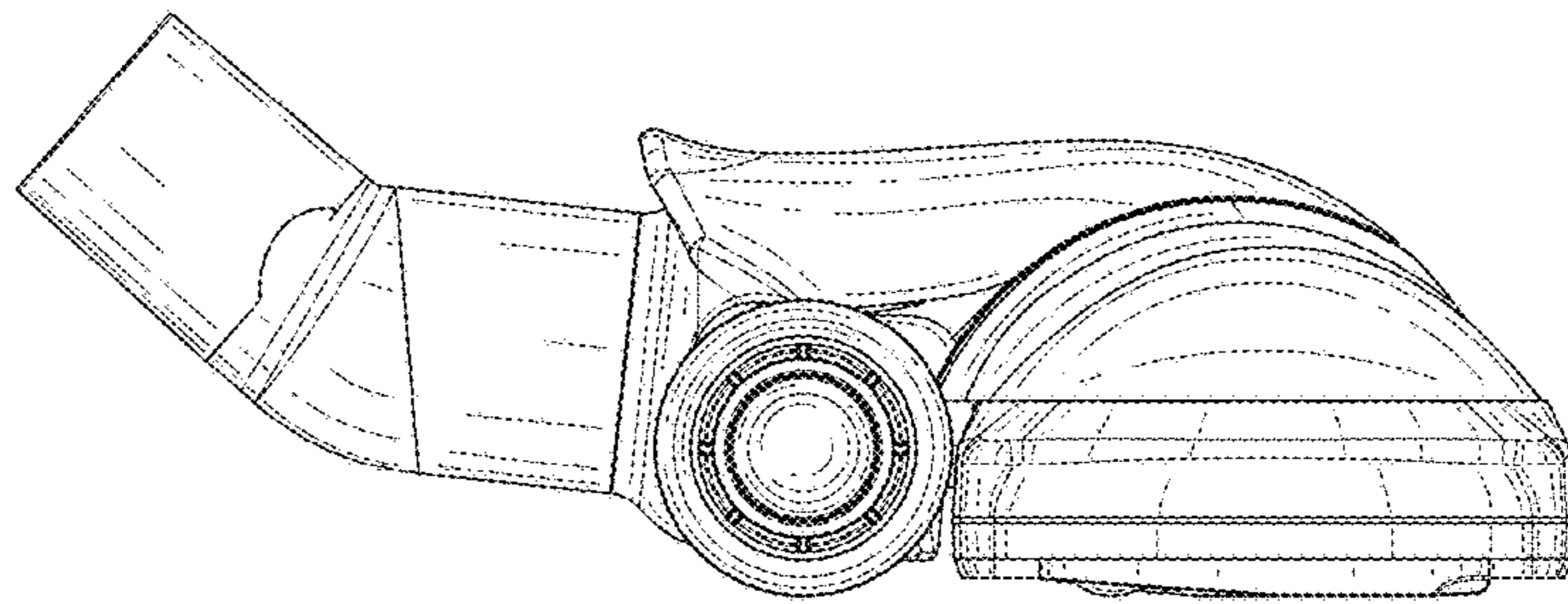


FIG. 7