



US00D807602S

(12) **United States Design Patent**
Yoo et al.

(10) **Patent No.:** **US D807,602 S**
(45) **Date of Patent:** **** Jan. 9, 2018**

(54) **HANDLE FOR VACUUM CLEANER**

(71) Applicant: **LG ELECTRONICS INC.**, Seoul (KR)

(72) Inventors: **Joonggil Yoo**, Seoul (KR); **Eugene Suh**, Seoul (KR)

(73) Assignee: **LG Electronics Inc.**, Seoul (KR)

(**) Term: **15 Years**

(21) Appl. No.: **35/501,242**

(22) Filed: **Jan. 18, 2016**

(80) **Hague Agreement Data**

Int. Filing Date: **Jan. 18, 2016**
Int. Reg. No.: **DM/090086**
Int. Reg. Date: **Jan. 18, 2016**
Int. Reg. Pub. Date: **Jul. 22, 2016**

(30) **Foreign Application Priority Data**

Aug. 12, 2015 (KR) 30-2015-0040754

(51) **LOC (11) Cl.** **15-05**

(52) **U.S. Cl.**
USPC **D32/23**

(58) **Field of Classification Search**

USPC D23/21, 22, 23, 25, 32, 33, 34; D32/21, D32/22, 23, 25, 32, 33, 34
CPC . A47L 9/16; A47L 9/20; A47L 9/1683; A47L 9/1666; A47L 9/1608; A47L 9/2857; A47L 9/2842; A47L 9/2836; A47L 9/2847; A47L 9/2852; A47L 5/28; A47L 7/0038; G06N 3/008; E04H 4/1654
See application file for complete search history.

(56) **References Cited**

U.S. PATENT DOCUMENTS

D614,370 S * 4/2010 Dyson D32/34
D641,112 S * 7/2011 Lee D32/34

D670,056 S * 10/2012 Ventress D32/34
D688,431 S * 8/2013 Luedke D32/32
D730,000 S * 5/2015 Cheon D32/22
D770,111 S * 10/2016 Lee D32/34
D770,112 S * 10/2016 Yoon D32/34
D770,709 S * 11/2016 Ogg D32/22
D772,512 S * 11/2016 Yoon D32/34

(Continued)

Primary Examiner — Michael A Pratt

(74) *Attorney, Agent, or Firm* — Birch, Stewart, Kolasch & Birch, LLP

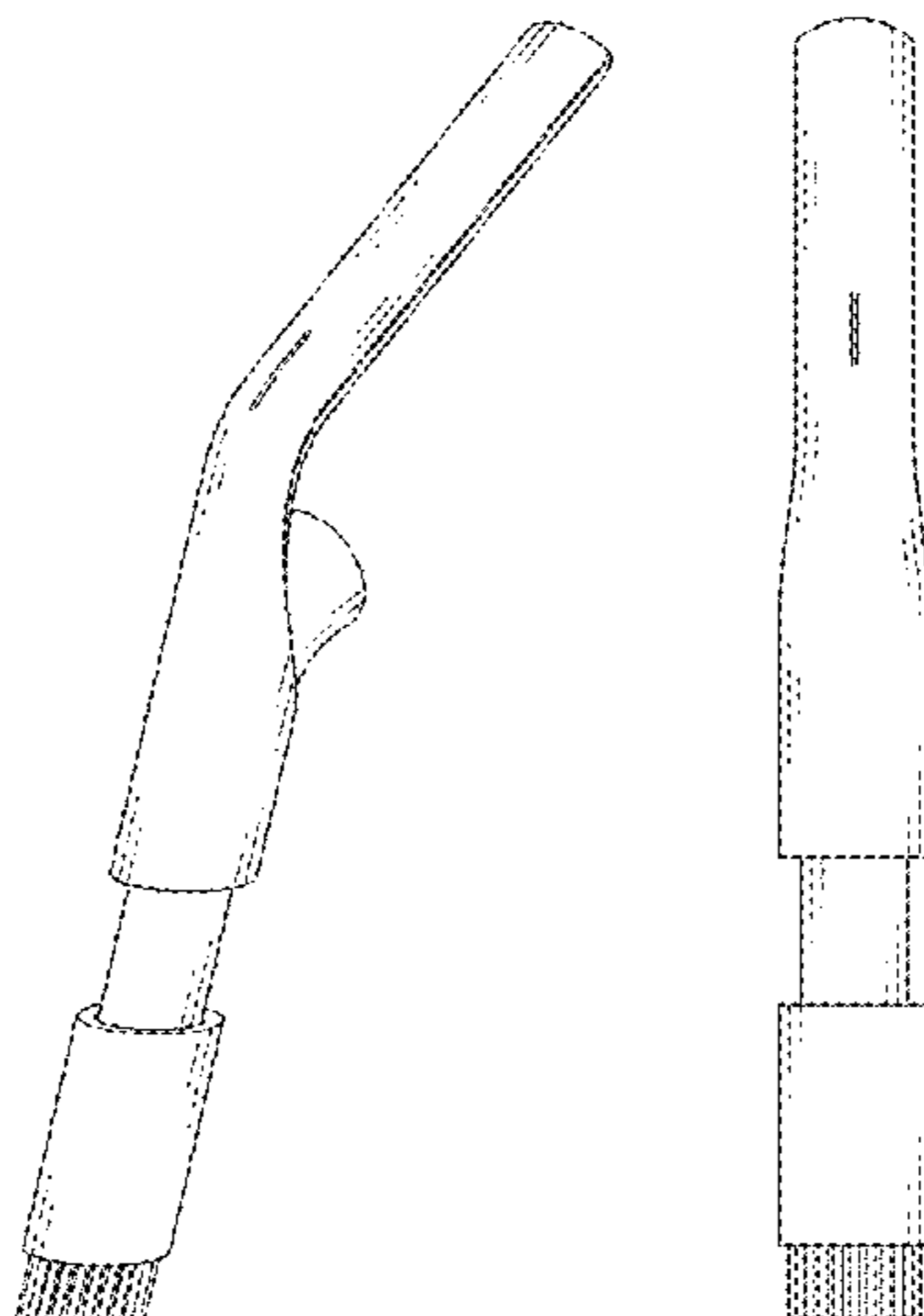
(57) **CLAIM**

The ornamental design for a handle for vacuum cleaner, as shown and described.

DESCRIPTION

1. Handle for vacuum cleaner
1.1 is a perspective view of a handle for vacuum cleaner showing our new design with its brush being slid forward;
1.2 is a front elevation view thereof;
1.3 is a rear elevation view thereof;
1.4 is a left-side elevation view thereof;
1.5 is a right-side elevation view thereof;
1.6 is a top plan view thereof;
1.7 is a bottom plan view thereof;
1.8 is a perspective view thereof with its brush being slid backward;
1.9 is a front elevation view thereof with its brush being slid backward;
1.10 is a left-side elevation view thereof with its brush being slid backward;
1.11 is a bottom plan view thereof with its brush being slid backward;
1.12 is a perspective view thereof with its brush being slid backward in a use condition; and
1.13 is a perspective view thereof with its brush being slid forward in another use condition.
The broken line showing of portions of the handle for vacuum cleaner is for the purpose of illustrating environment and forms no part of the claimed design.

1 Claim, 13 Drawing Sheets



(56)

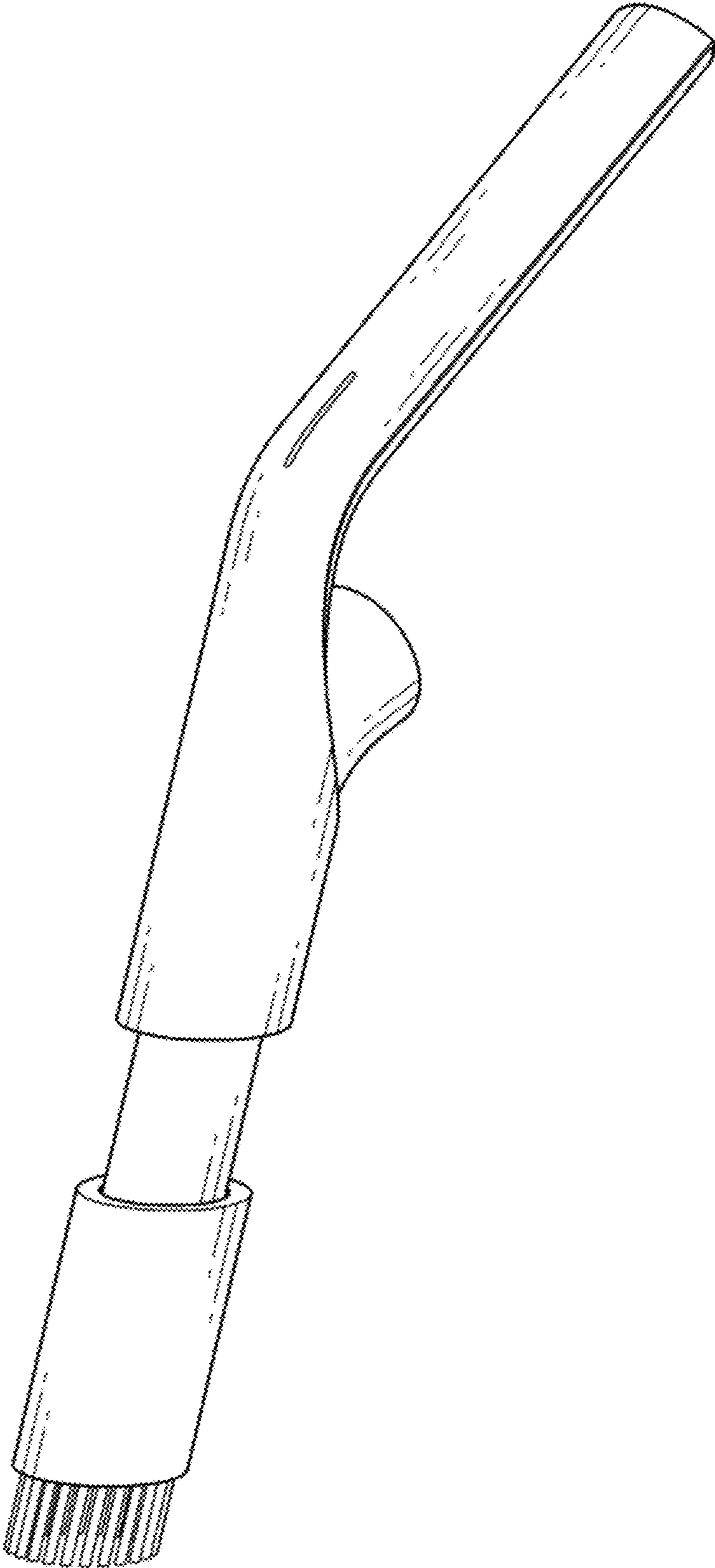
References Cited

U.S. PATENT DOCUMENTS

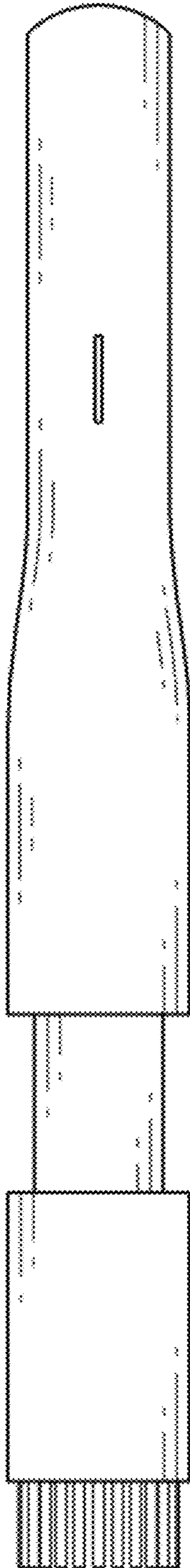
D779,753 S * 2/2017 Mikula D32/32
D779,754 S * 2/2017 Miyazaki D32/34
2012/0312409 A1* 12/2012 Yamashita A47L 9/242
138/109

* cited by examiner

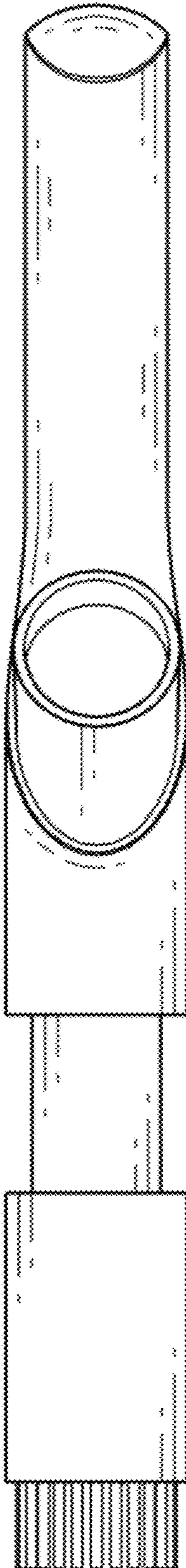
1.1



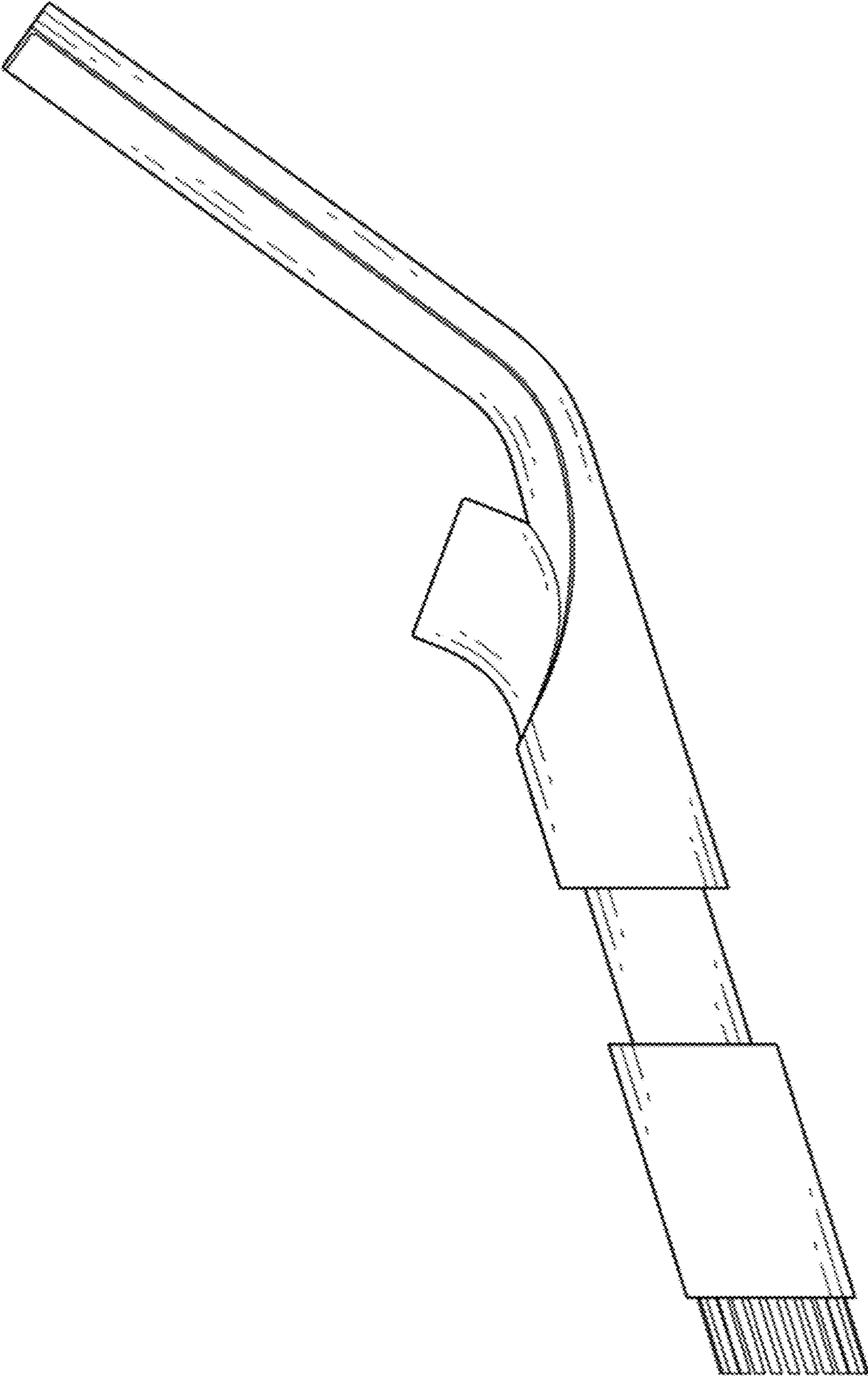
1.2



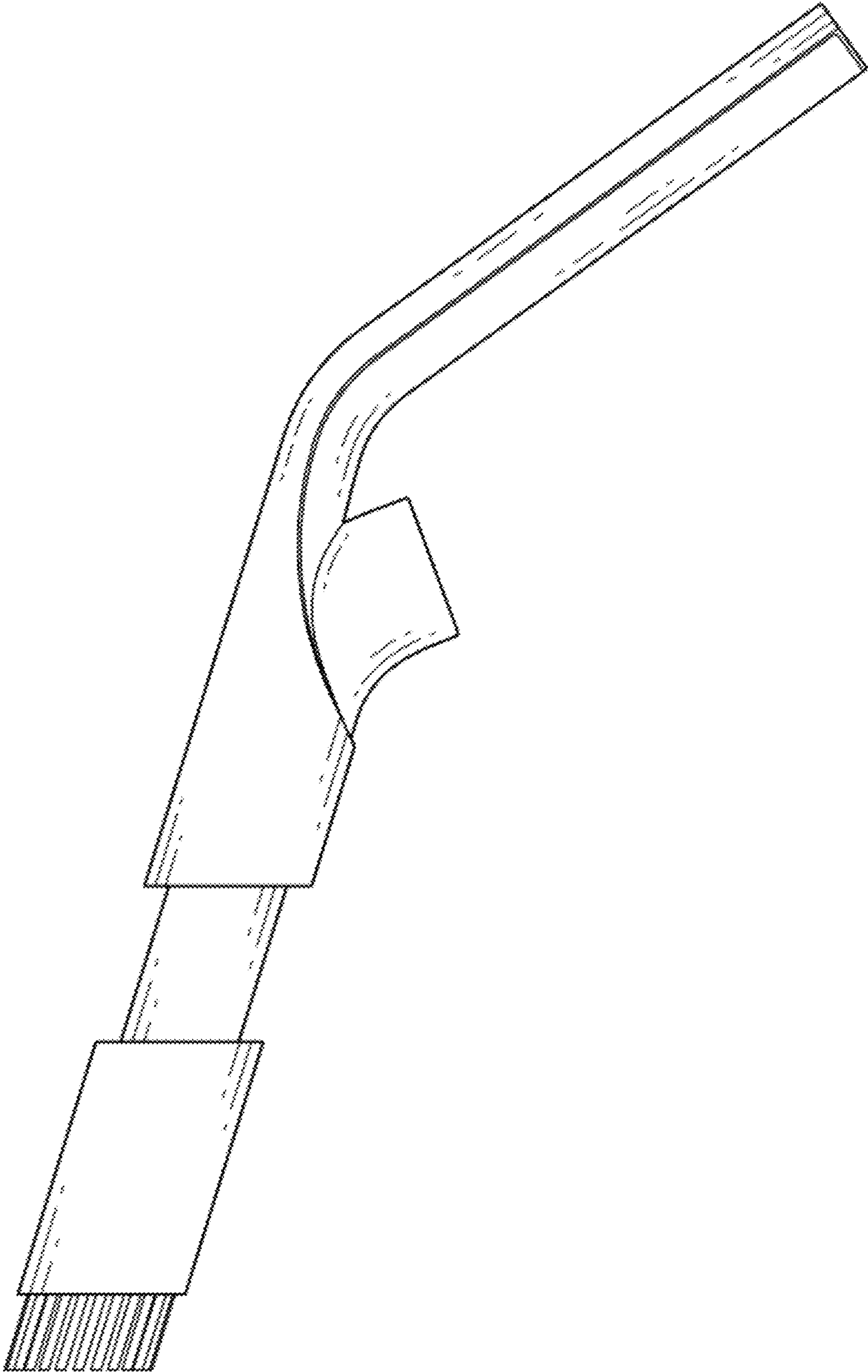
1.3



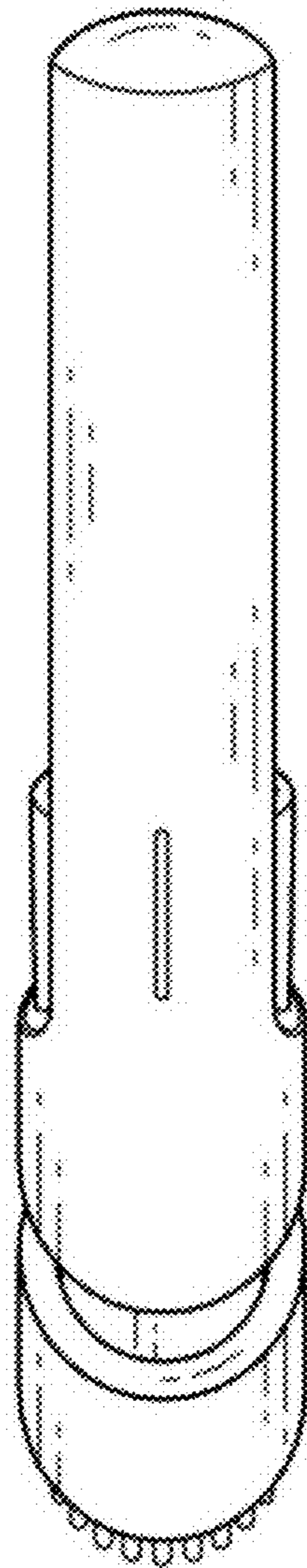
1.4



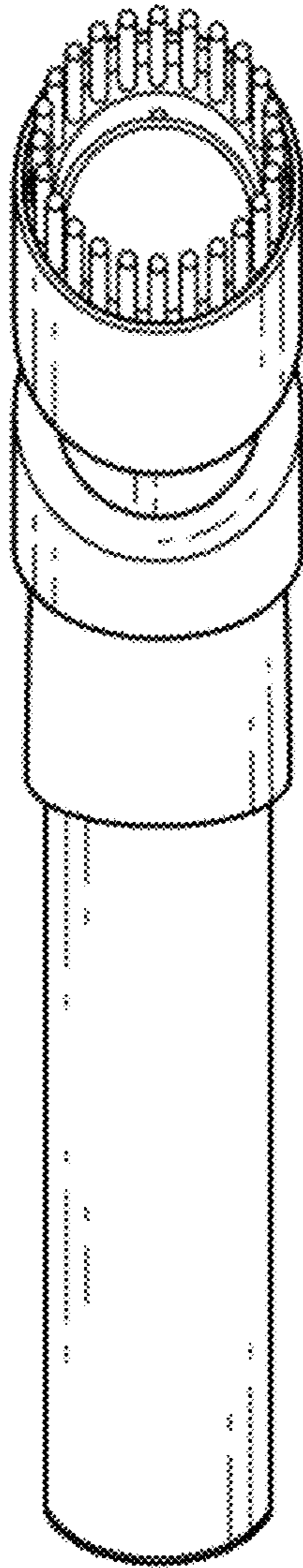
1.5



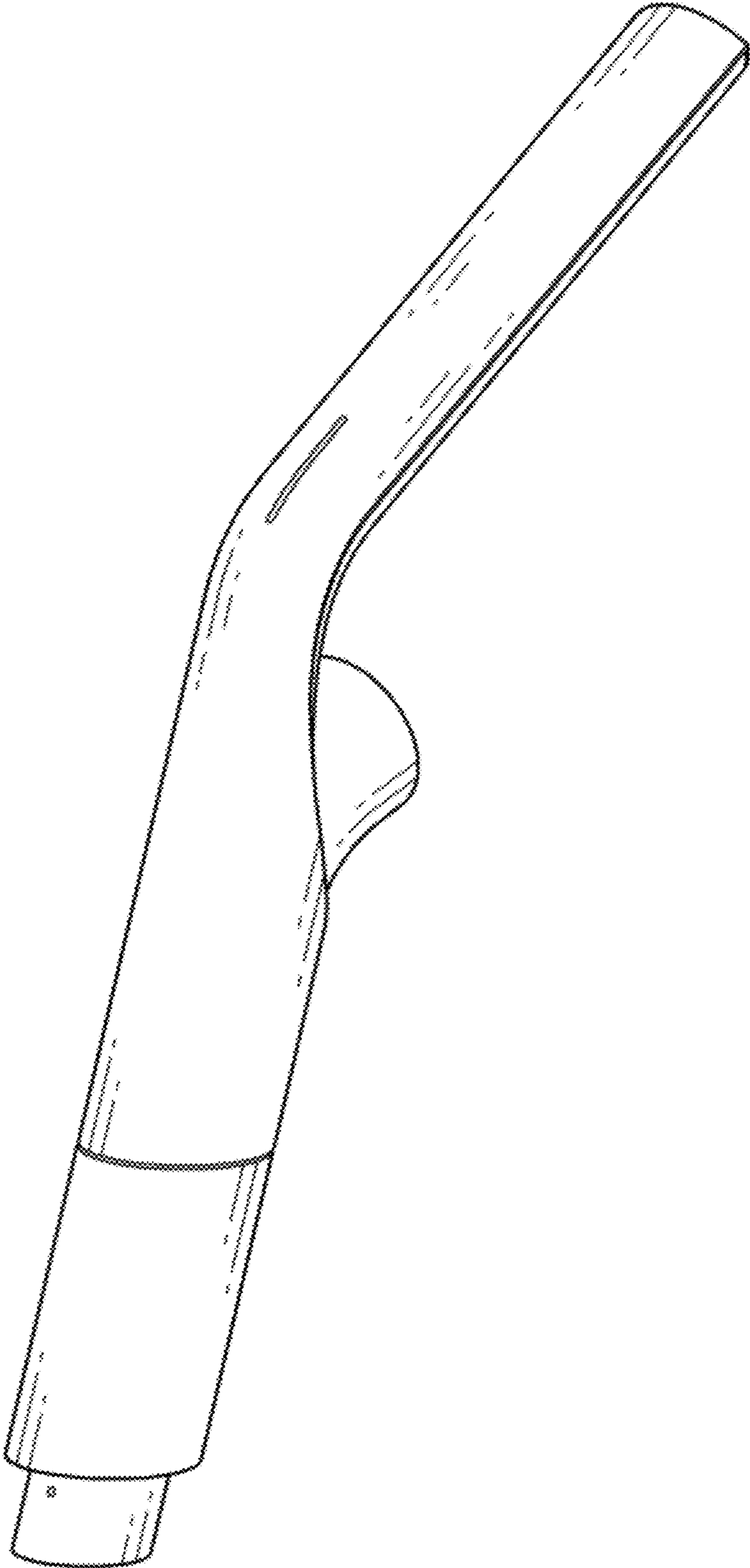
1.6



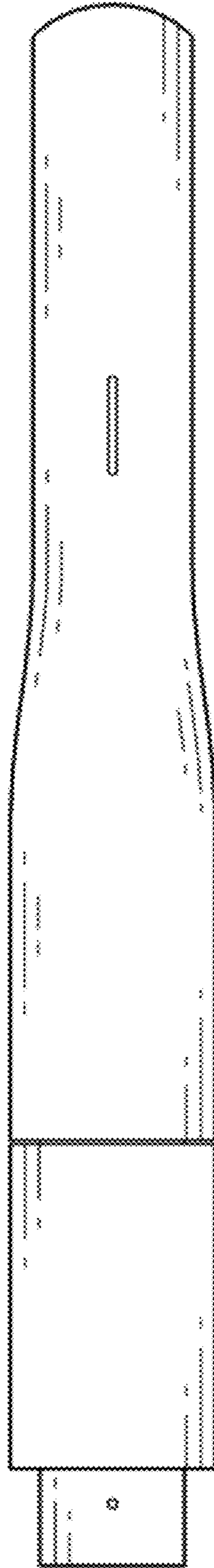
1.7



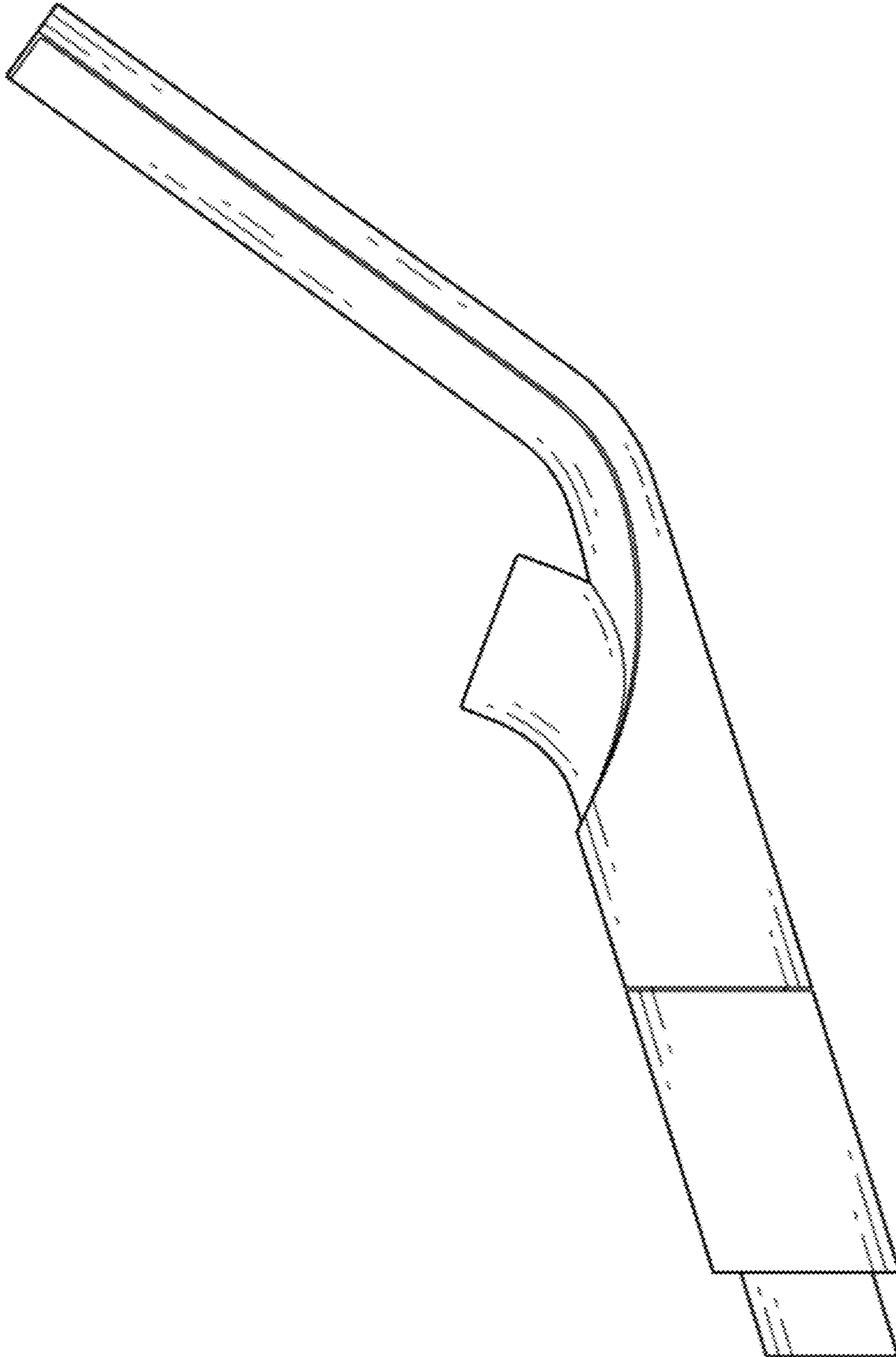
1.8



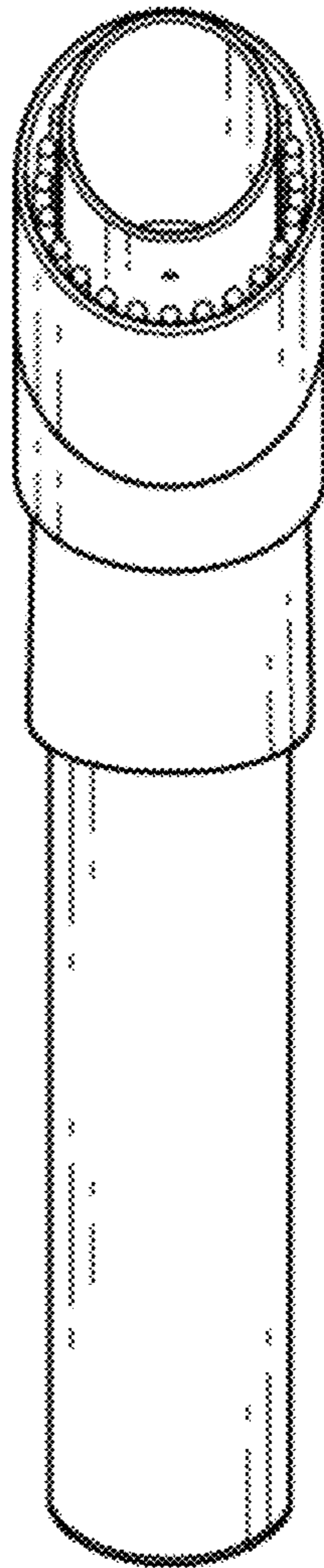
1.9



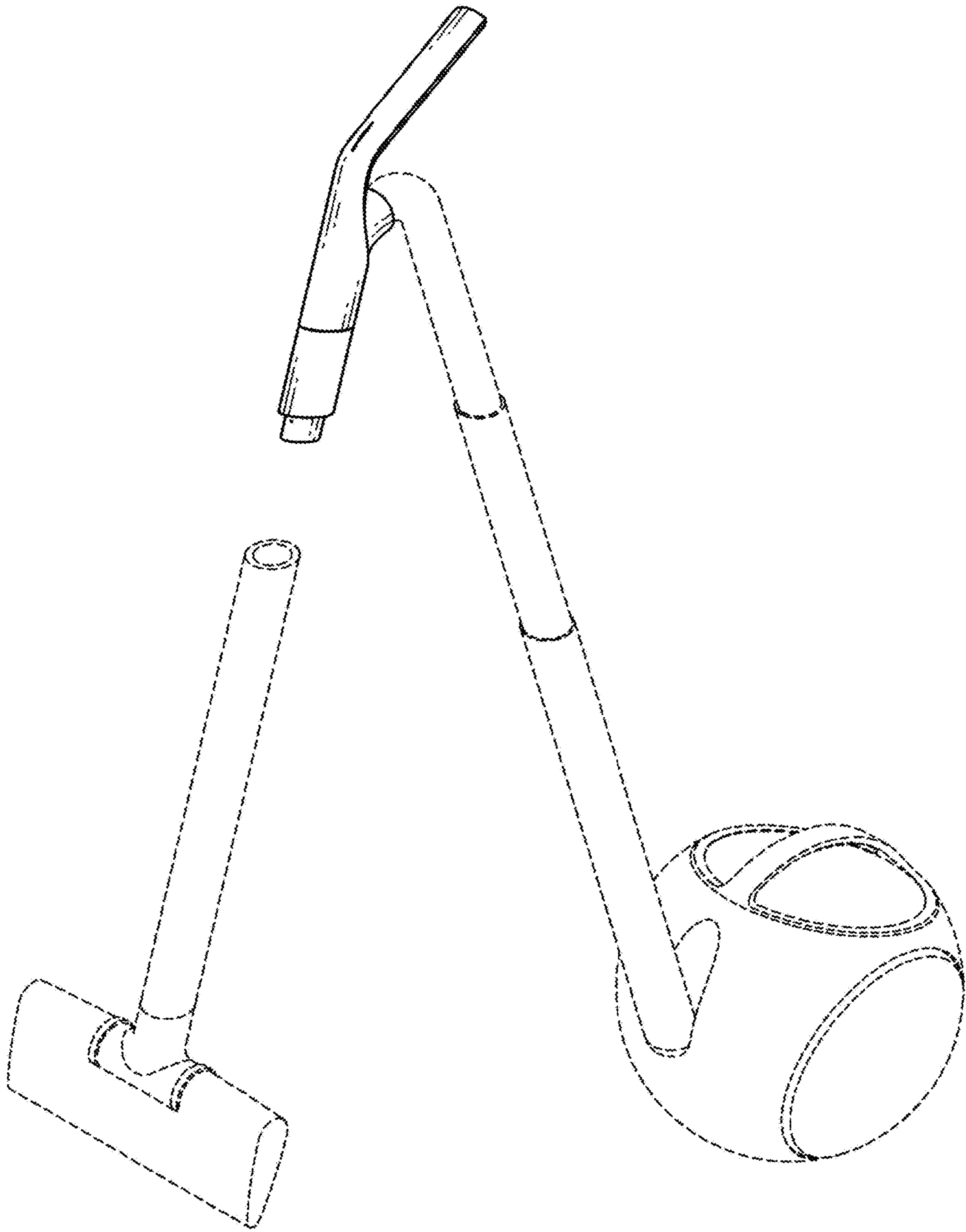
1.10



1.11



1.12



1.13

