



US00D807601S

(12) **United States Design Patent**
Suh

(10) **Patent No.:** **US D807,601 S**

(45) **Date of Patent:** **** Jan. 9, 2018**

(54) **VACUUM CLEANER**

(71) Applicant: **LG ELECTRONICS INC.**, Seoul (KR)

(72) Inventor: **Eugene Suh**, Seoul (KR)

(73) Assignee: **LG Electronics Inc.**, Seoul (KR)

(**) Term: **15 Years**

(21) Appl. No.: **35/501,241**

(22) Filed: **Jan. 18, 2016**

(80) **Hague Agreement Data**

Int. Filing Date: **Jan. 18, 2016**

Int. Reg. No.: **DM/090002**

Int. Reg. Date: **Jan. 18, 2016**

Int. Reg. Pub. Date: **Jul. 22, 2016**

(30) **Foreign Application Priority Data**

Aug. 12, 2015 (KR) 30-2015-0040755

(51) **LOC (11) Cl.** **15-05**

(52) **U.S. Cl.**
USPC **D32/23**

(58) **Field of Classification Search**

USPC D23/21, 22, 23, 25, 32, 33, 34; D32/21, D32/22, 23, 25, 32, 33, 34

CPC . A47L 9/16; A47L 9/20; A47L 9/1683; A47L 9/1666; A47L 9/1608; A47L 9/2857; A47L 9/2842; A47L 9/2836; A47L 9/2847; A47L 9/2852; A47L 5/28; A47L 7/0038; G06N 3/008; E04H 4/1654

See application file for complete search history.

(56) **References Cited**

U.S. PATENT DOCUMENTS

D556,398 S *	11/2007	Shin	D32/21
D556,399 S *	11/2007	Shin	D32/21
D768,343 S *	10/2016	Vanderstegen-Drake	D32/21
D780,389 S *	2/2017	Mitchell	D32/21
D785,263 S *	4/2017	Kim	D32/31

* cited by examiner

Primary Examiner — Michael A Pratt

(74) *Attorney, Agent, or Firm* — Birch, Stewart, Kolasch & Birch, LLP

(57) **CLAIM**

The ornamental design for a vacuum cleaner, as shown and described.

DESCRIPTION

1. Vacuum cleaner

1.1 is a perspective view of a vacuum cleaner showing our new design;

1.2 is a front elevation view thereof;

1.3 is a rear elevation view thereof;

1.4 is a left-side elevation view thereof;

1.5 is a right-side elevation view thereof;

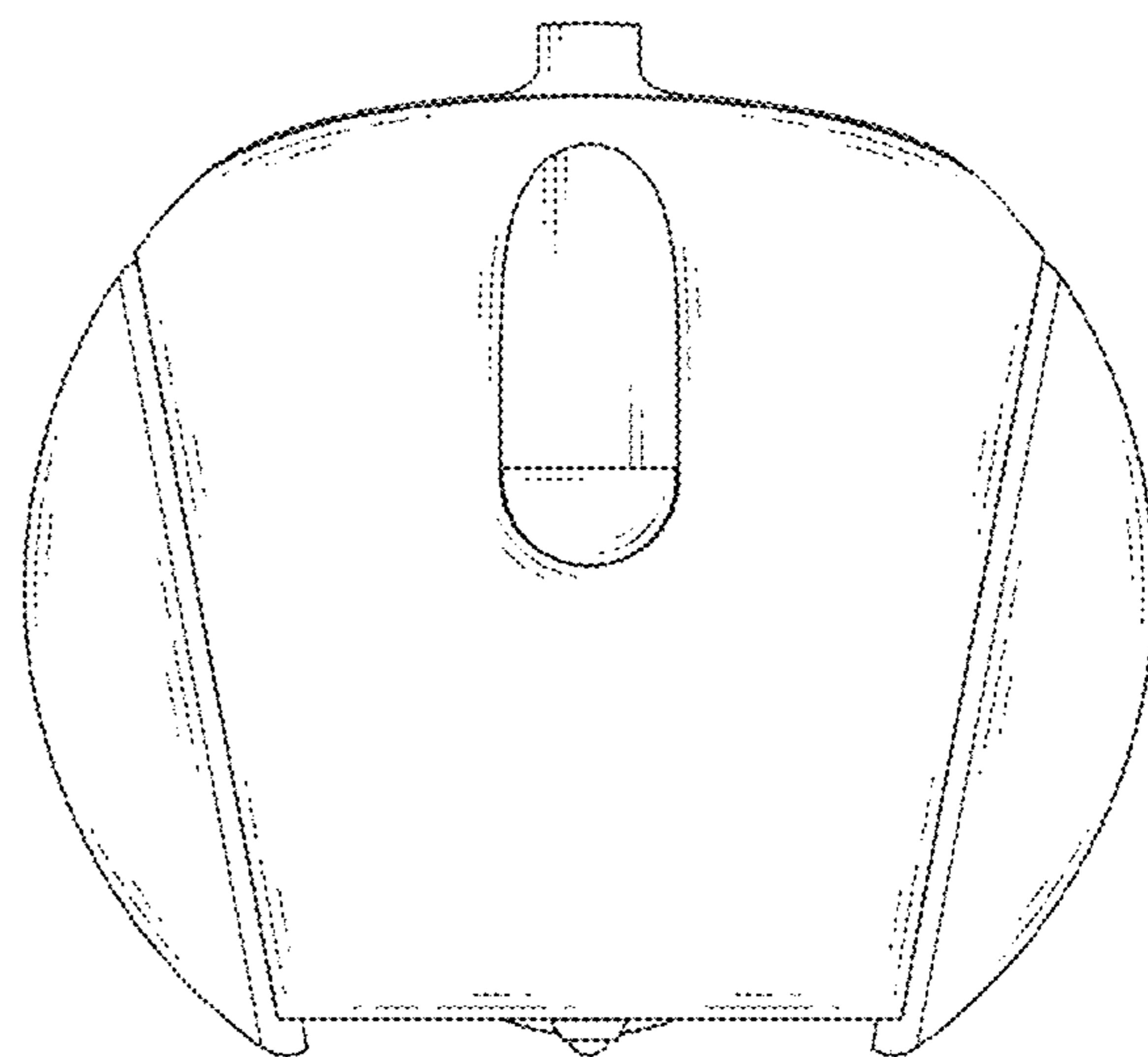
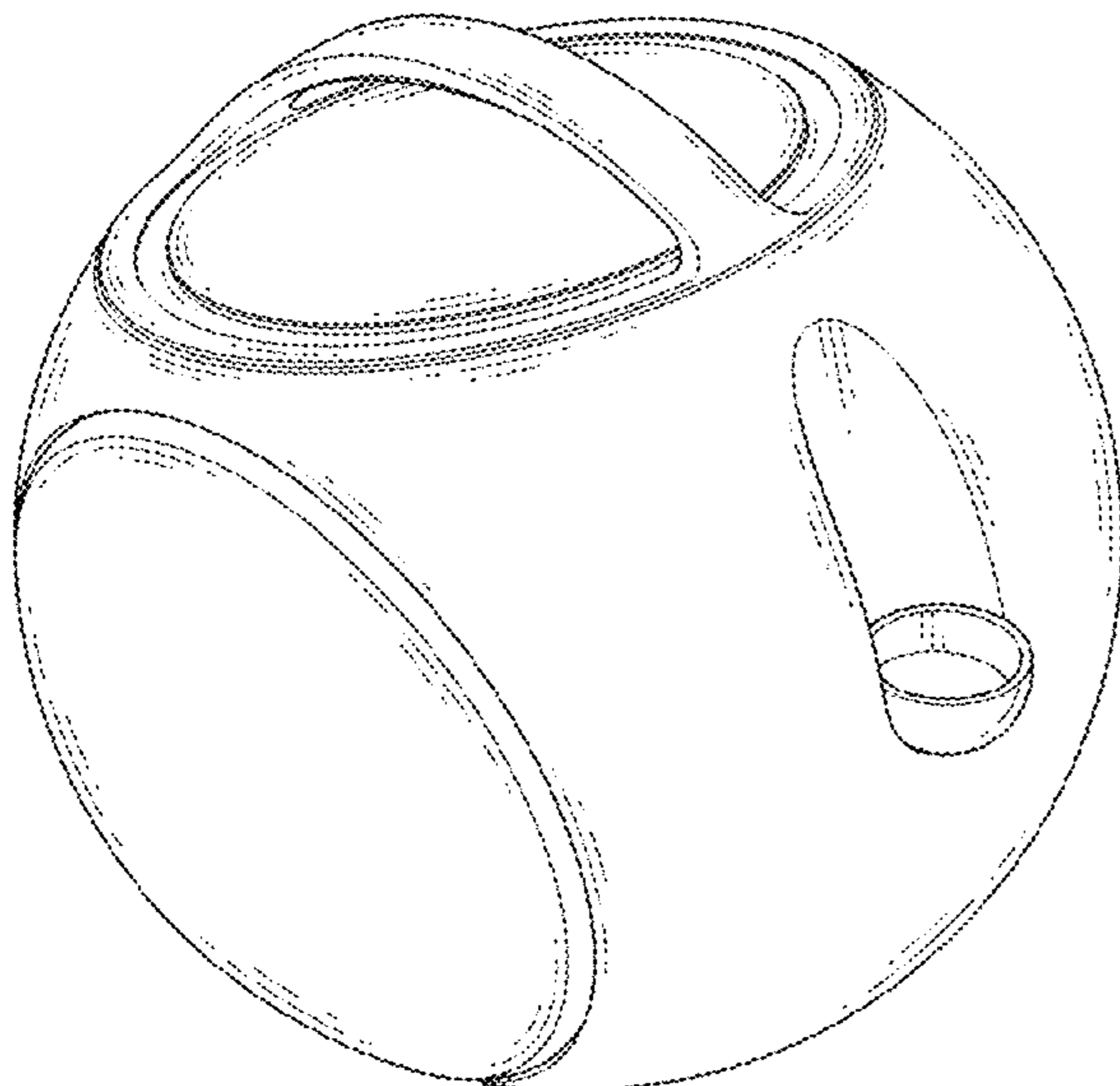
1.6 is a top plan view thereof;

1.7 is a bottom plan view thereof; and

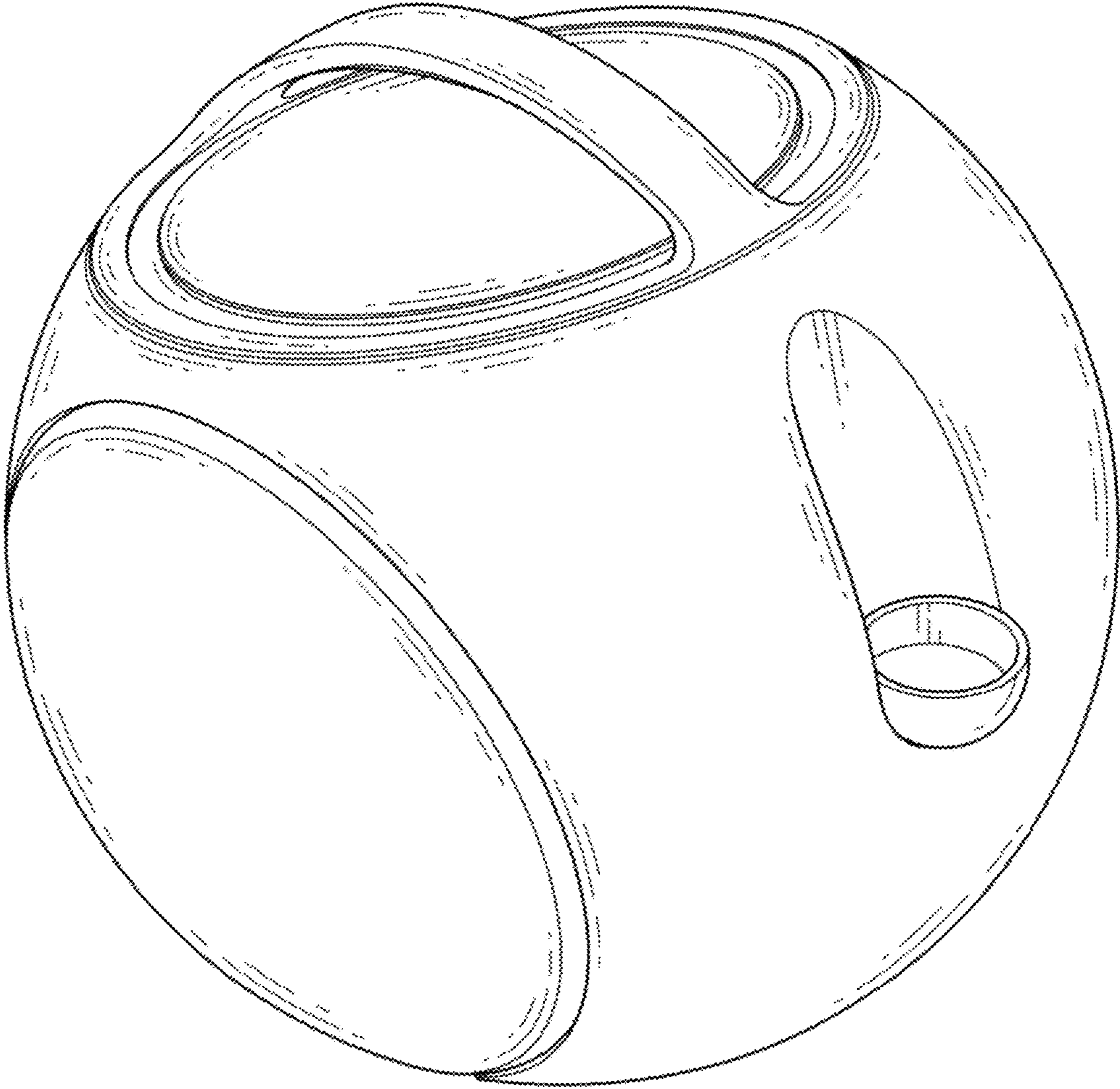
1.8 is a perspective view thereof in a use condition.

The broken line showing of portions of the vacuum cleaner is for the purpose of illustrating environment and forms no part of the claimed design.

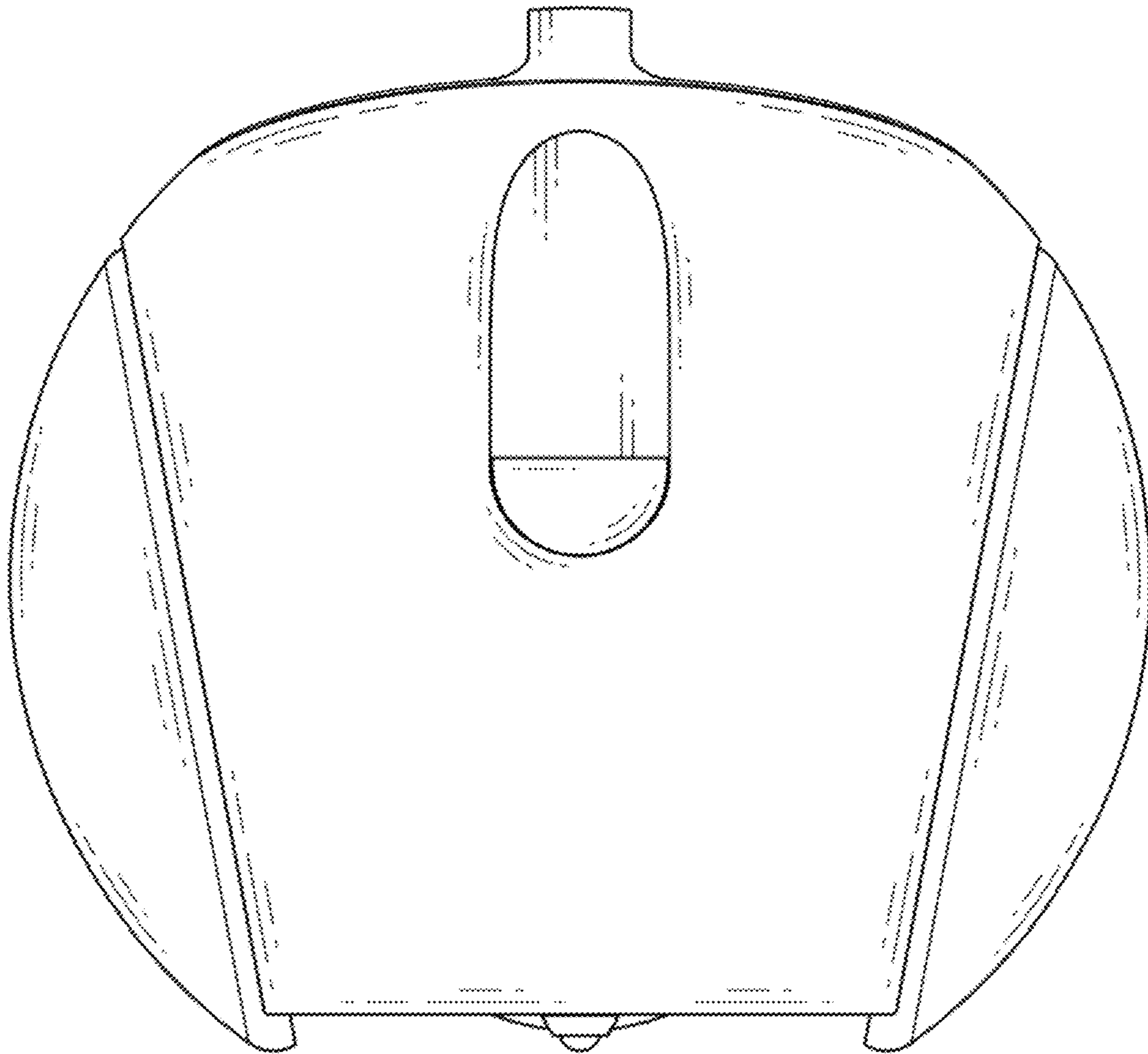
1 Claim, 8 Drawing Sheets



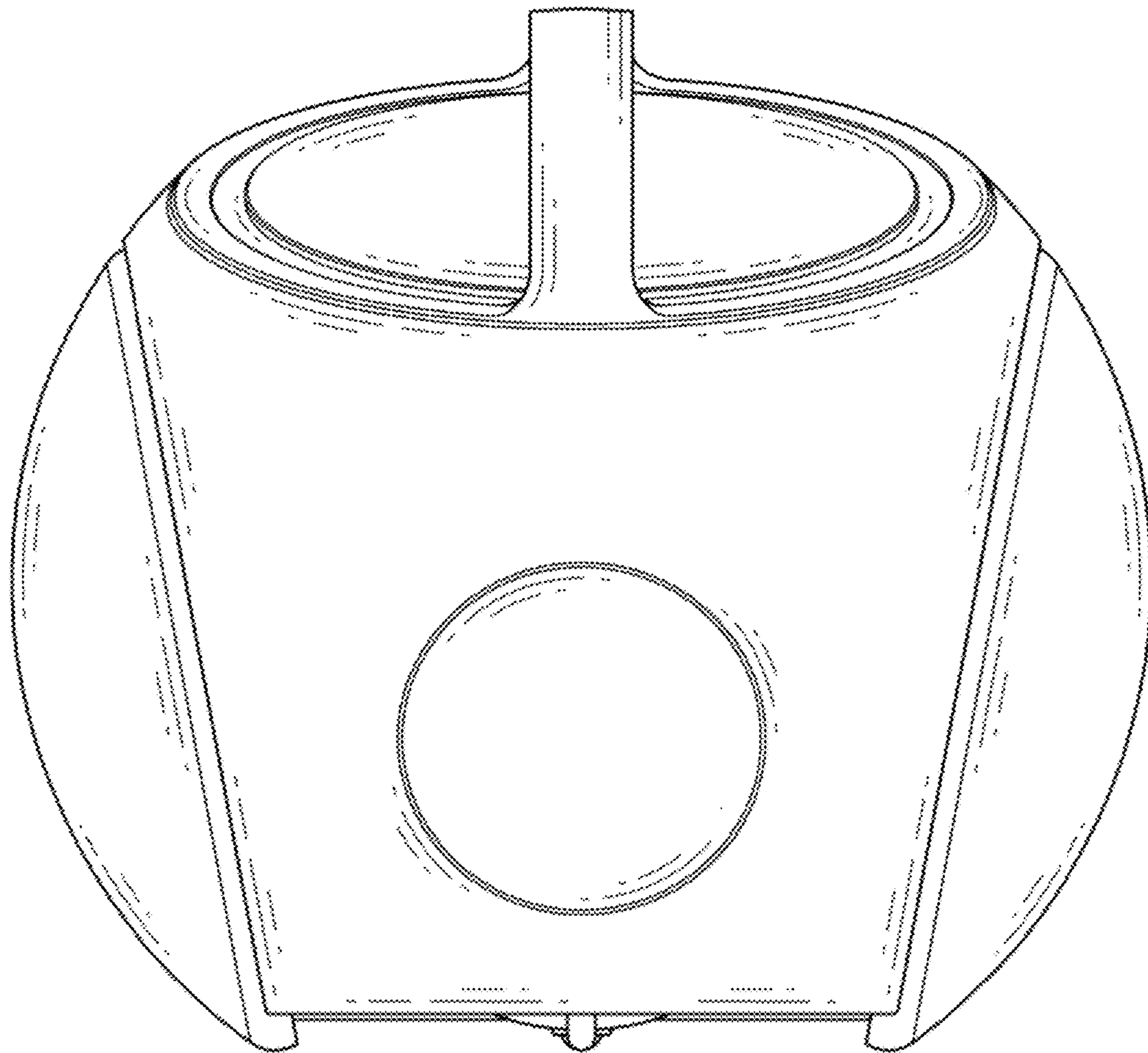
1.1



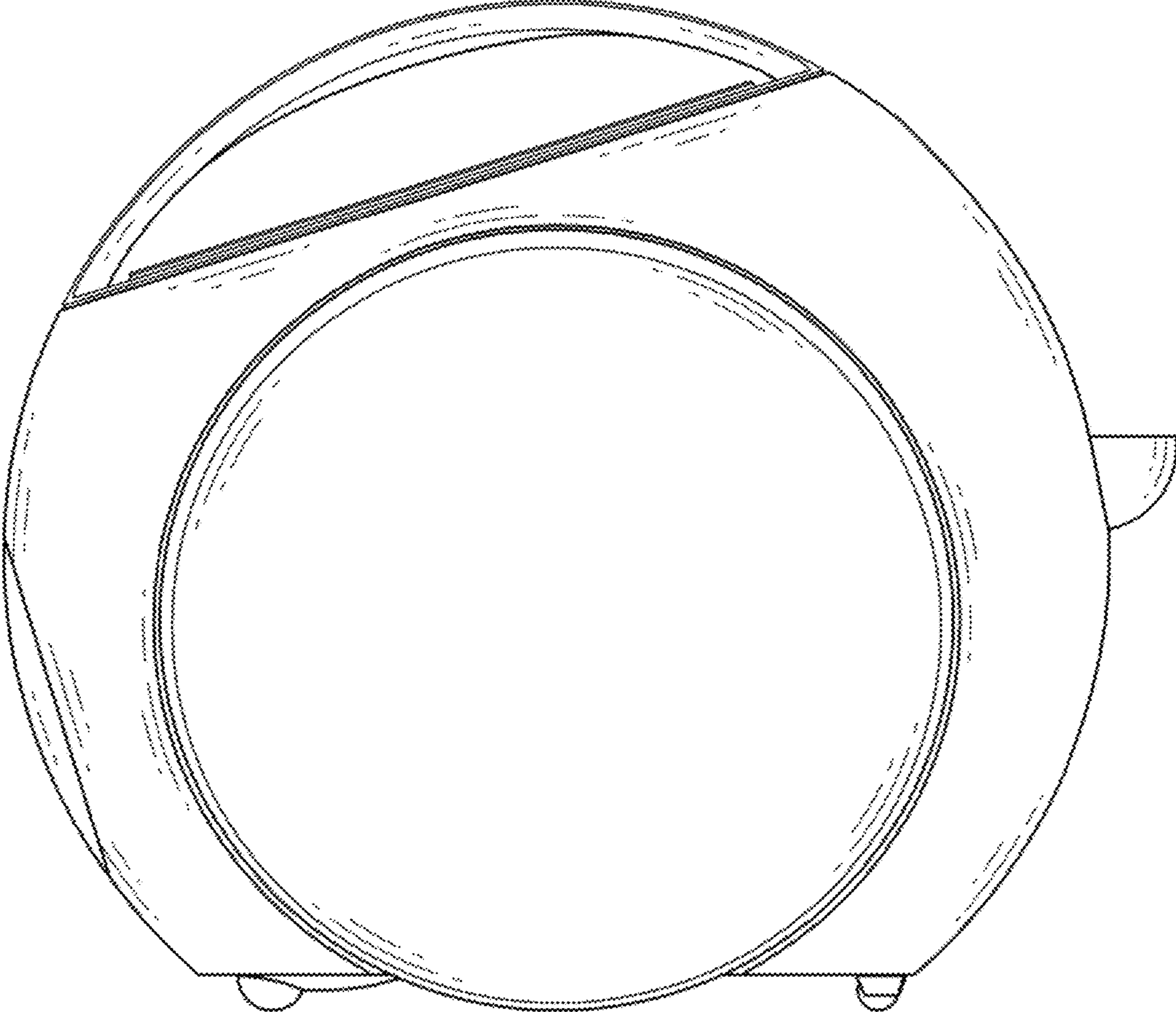
1.2



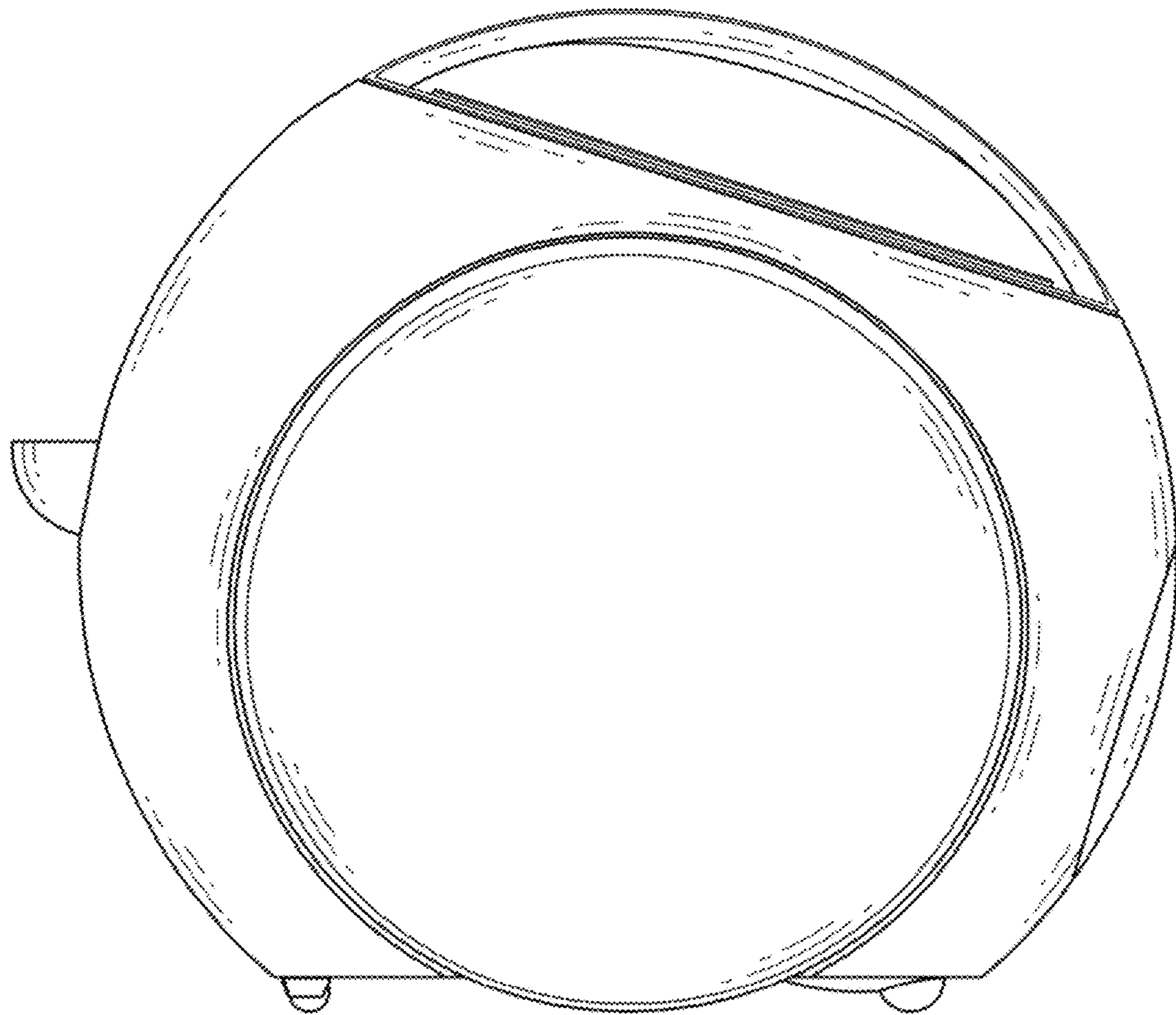
1.3



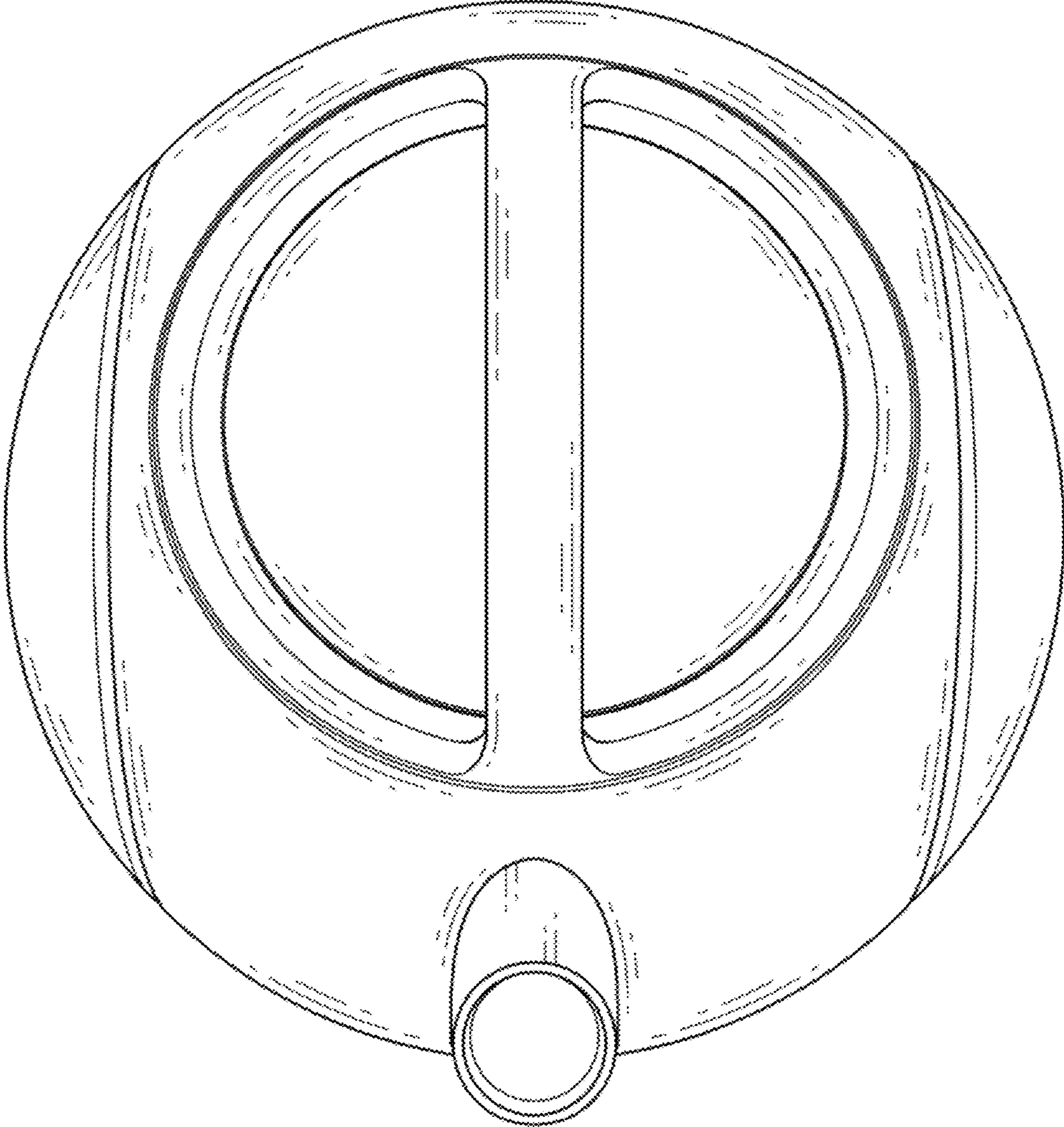
1.4



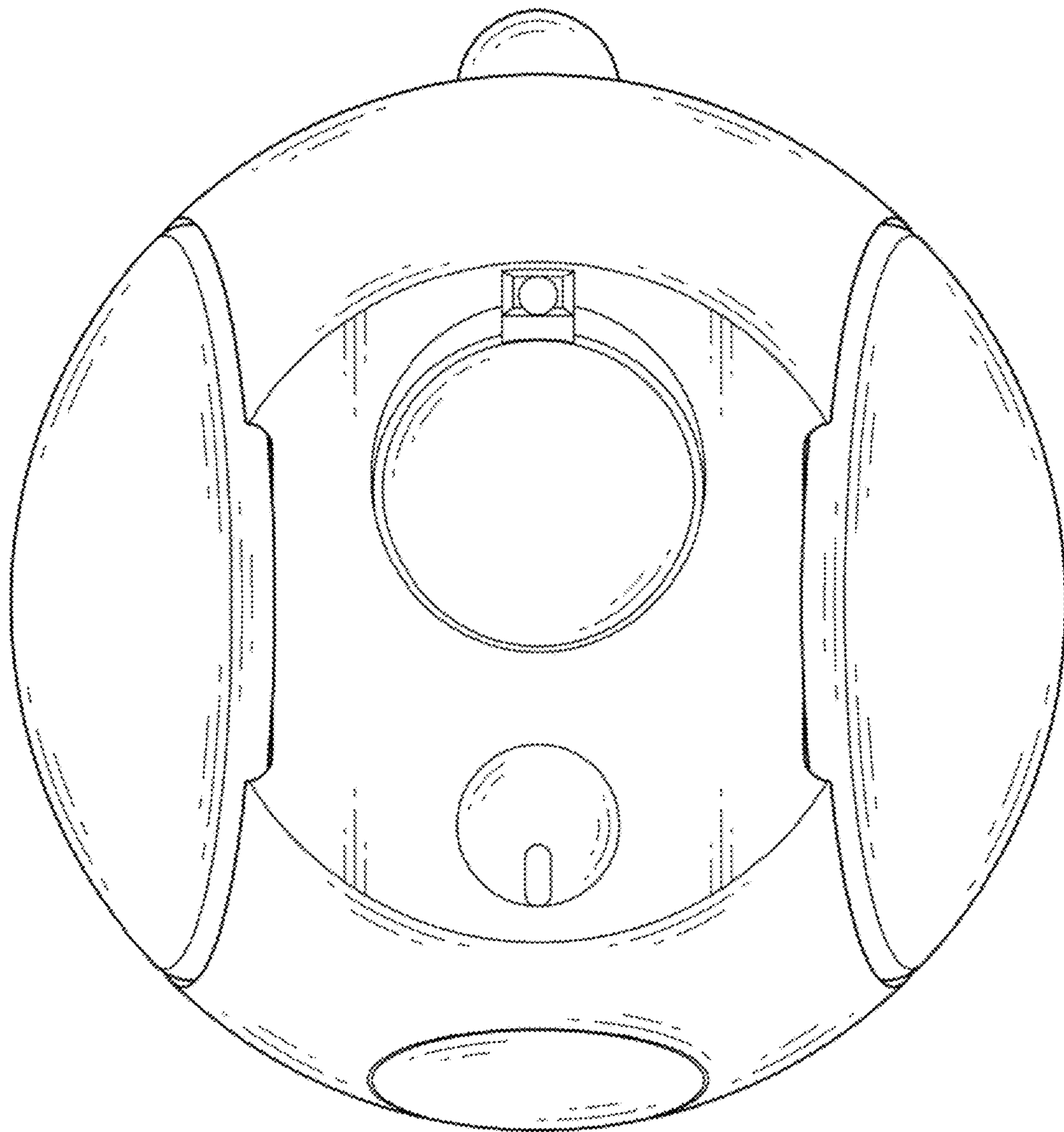
1.5



1.6



1.7



1.8

