



US00D807600S

(12) **United States Design Patent**  
**Yoo et al.**

(10) **Patent No.:** **US D807,600 S**  
(45) **Date of Patent:** **\*\* Jan. 9, 2018**

(54) **VACUUM CLEANER**  
(71) Applicant: **LG ELECTRONICS INC., Seoul (KR)**  
(72) Inventors: **Joonggil Yoo, Seoul (KR); Eugene Suh, Seoul (KR)**  
(73) Assignee: **LG Electronics Inc., Seoul (KR)**

D600,416 S \* 9/2009 Shin ..... D32/21  
D737,008 S \* 8/2015 Cheon ..... D32/31  
D768,343 S \* 10/2016 Vanderstegen-Drake ..... D32/21  
D780,389 S \* 2/2017 Mitchell ..... D32/21  
D785,261 S \* 4/2017 Choi ..... D32/31  
D785,262 S \* 4/2017 Choi ..... D32/31  
D785,263 S \* 4/2017 Kim ..... D32/31  
2012/0312409 A1 \* 12/2012 Yamashita ..... A47L 9/242  
138/109

(\*\*) Term: **15 Years**

\* cited by examiner

(21) Appl. No.: **35/501,232**

Primary Examiner — Michael A Pratt

(22) Filed: **Jan. 18, 2016**

(74) Attorney, Agent, or Firm — Birch, Stewart, Kolasch & Birch, LLP

(80) **Hague Agreement Data**

Int. Filing Date: **Jan. 18, 2016**  
Int. Reg. No.: **DM/089170**  
Int. Reg. Date: **Jan. 18, 2016**  
Int. Reg. Pub. Date: **Jul. 22, 2016**

(57) **CLAIM**

The ornamental design for a vacuum cleaner, as shown and described.

(30) **Foreign Application Priority Data**

Aug. 12, 2015 (KR) ..... 30-2015-0040750

(51) **LOC (11) Cl.** ..... **15-05**

(52) **U.S. Cl.**  
USPC ..... **D32/23**

(58) **Field of Classification Search**  
USPC ..... D23/21, 22, 23, 25, 32, 33, 34; D32/21, D32/22, 23, 25, 32, 33, 34  
CPC . A47L 9/16; A47L 9/20; A47L 9/1683; A47L 9/1666; A47L 9/1608; A47L 9/2857; A47L 9/2842; A47L 9/2836; A47L 9/2847; A47L 9/2852; A47L 5/28; A47L 7/0038; G06N 3/008; E04H 4/1654  
See application file for complete search history.

**DESCRIPTION**

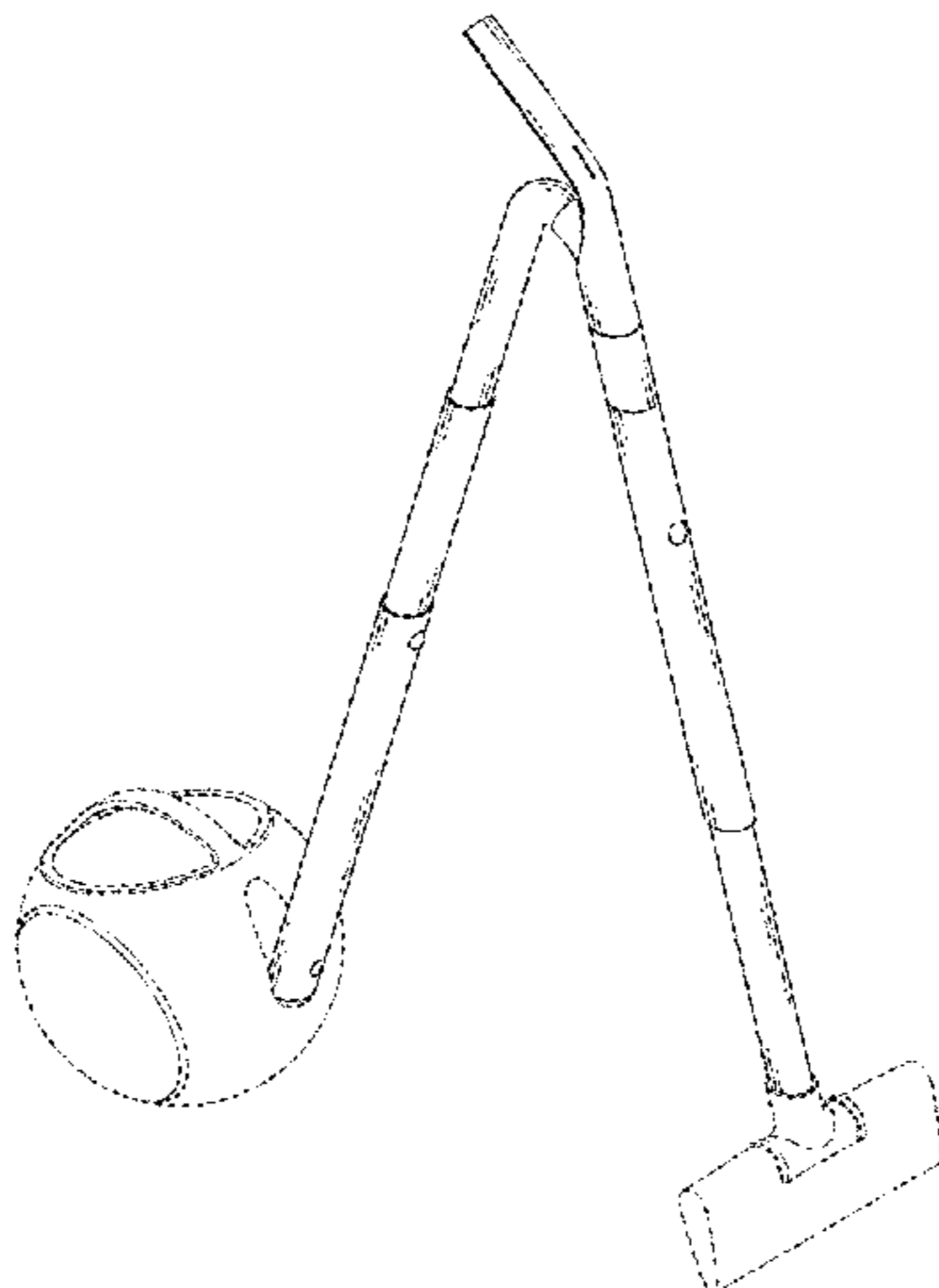
1. Vacuum cleaner  
1.1 is a perspective view of a vacuum cleaner showing our new design with its pipe being extended to a maximum;  
1.2 is a front elevation view thereof;  
1.3 is a rear elevation view thereof;  
1.4 is a left-side elevation view thereof;  
1.5 is a right-side elevation view thereof;  
1.6 is a top plan view thereof;  
1.7 is a bottom plan view thereof;  
1.8 is a perspective view thereof with its pipe being shortened to a minimum;  
1.9 is a front elevation view thereof;  
1.10 is a left-side elevation view thereof; and  
1.11 is a top plan view thereof.  
The broken line showing of portions of the vacuum cleaner is for the purpose of illustrating environment and forms no part of the claimed design.

(56) **References Cited**

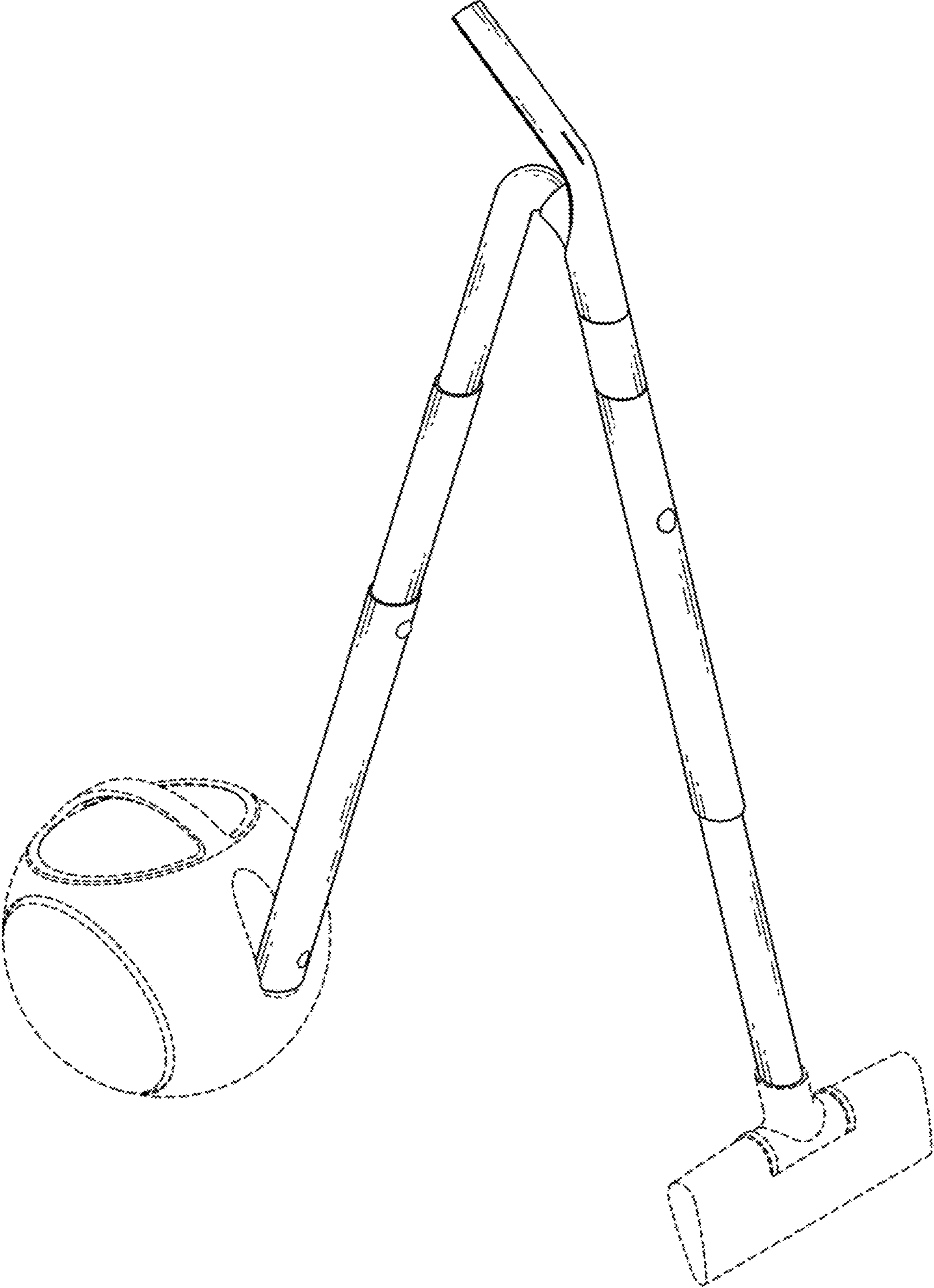
**U.S. PATENT DOCUMENTS**

D556,398 S \* 11/2007 Shin ..... D32/21  
D556,399 S \* 11/2007 Shin ..... D32/21

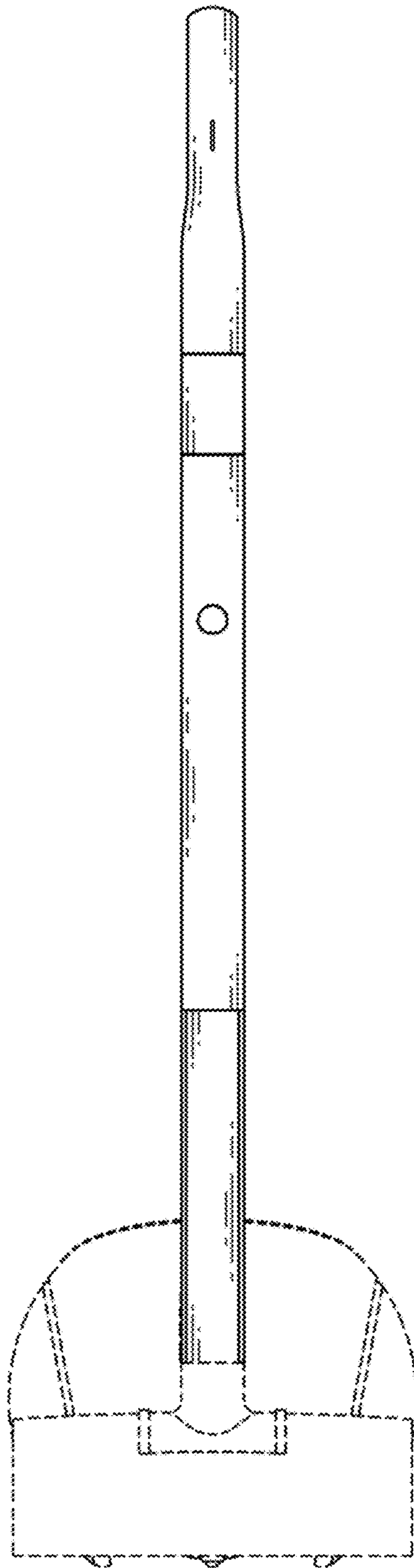
**1 Claim, 11 Drawing Sheets**



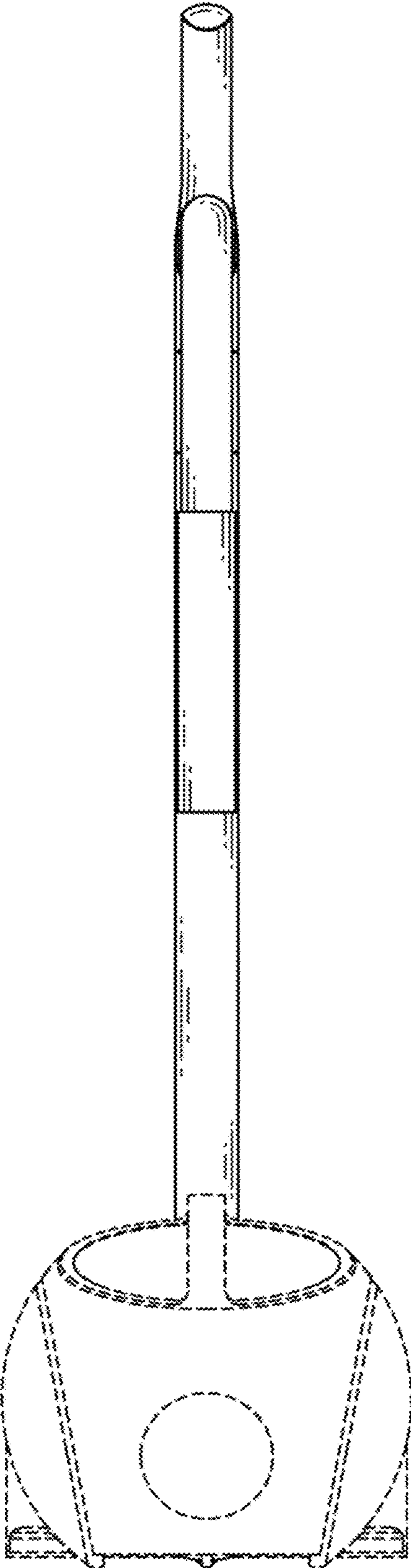
1.1



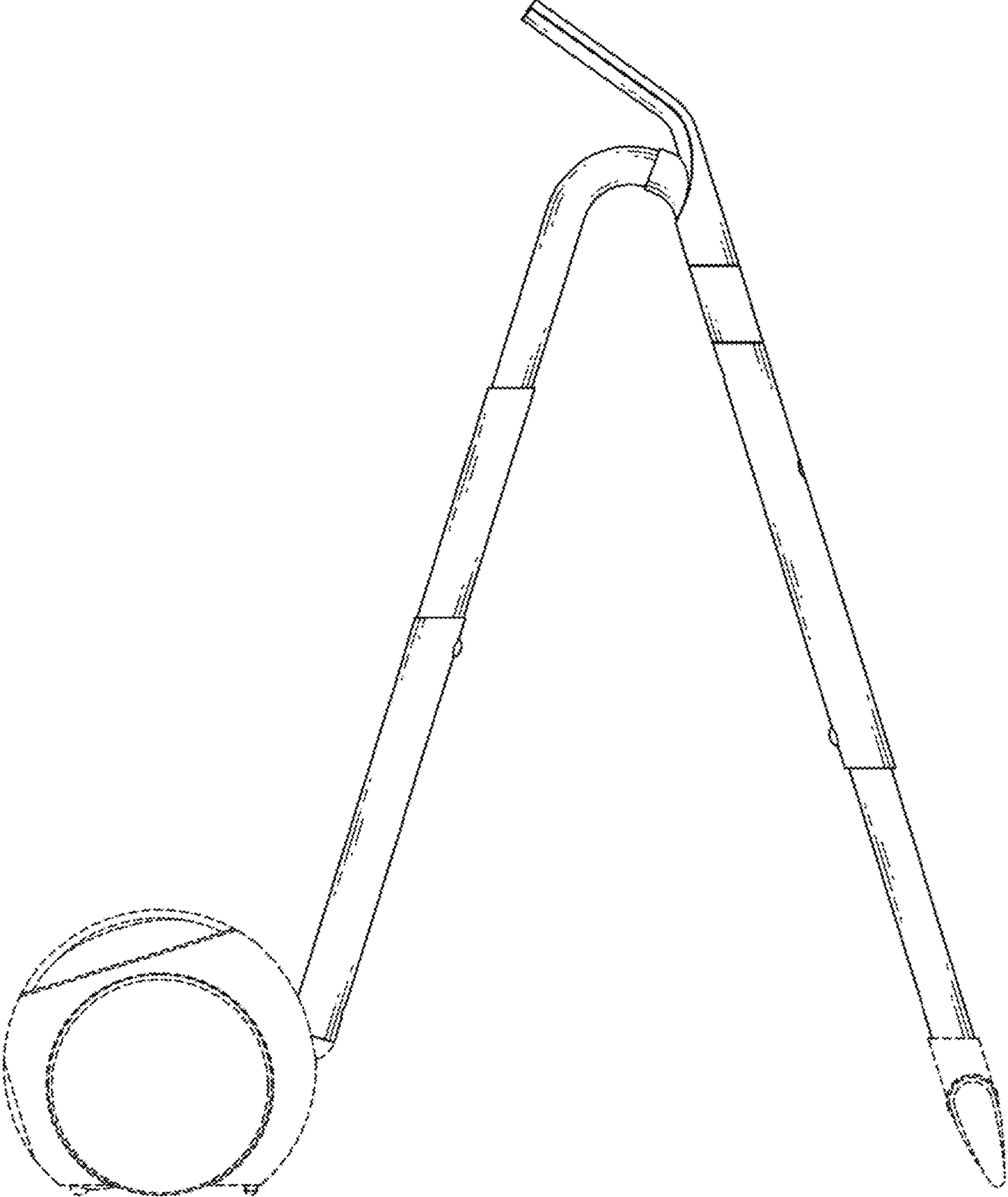
1.2



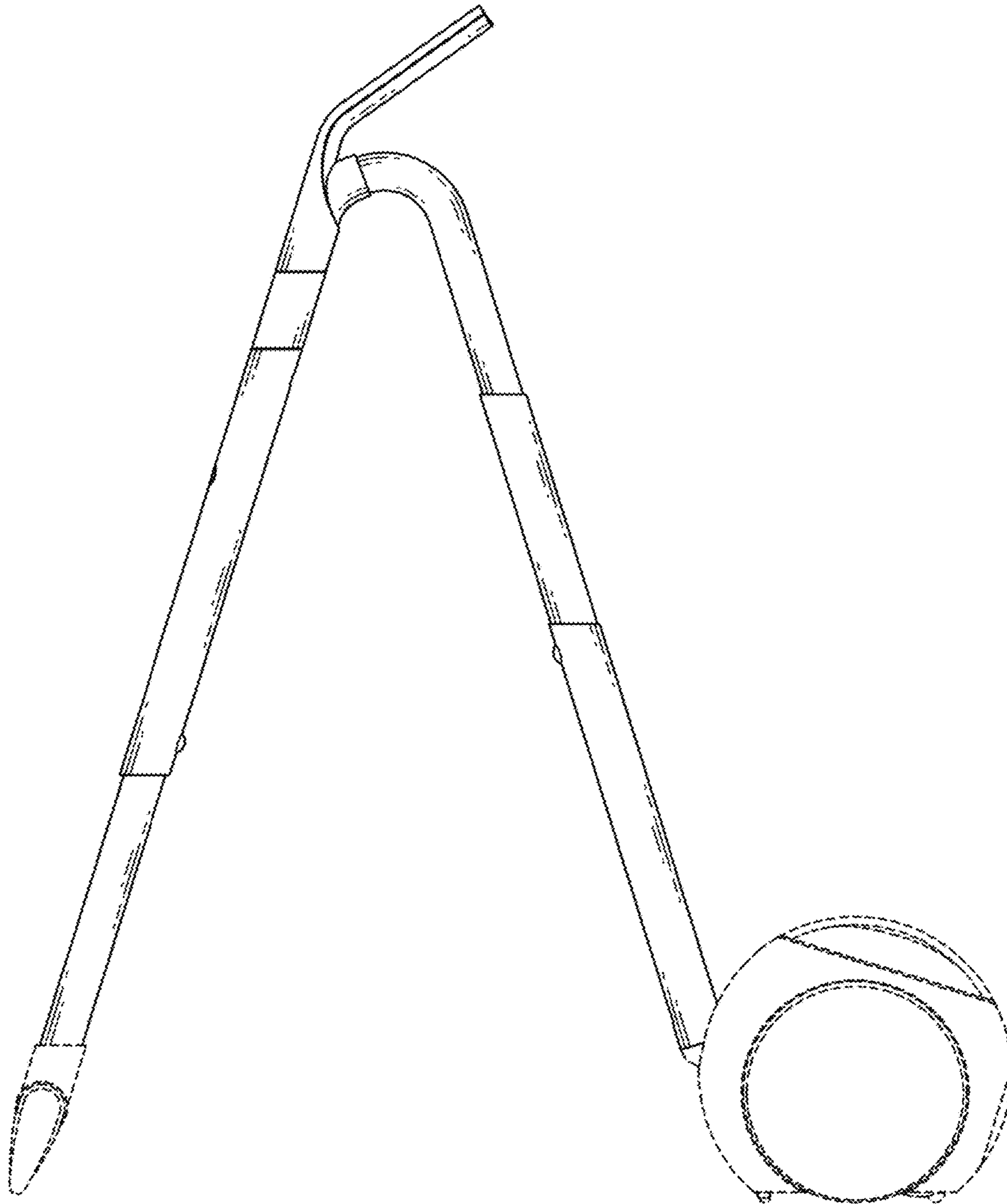
1.3



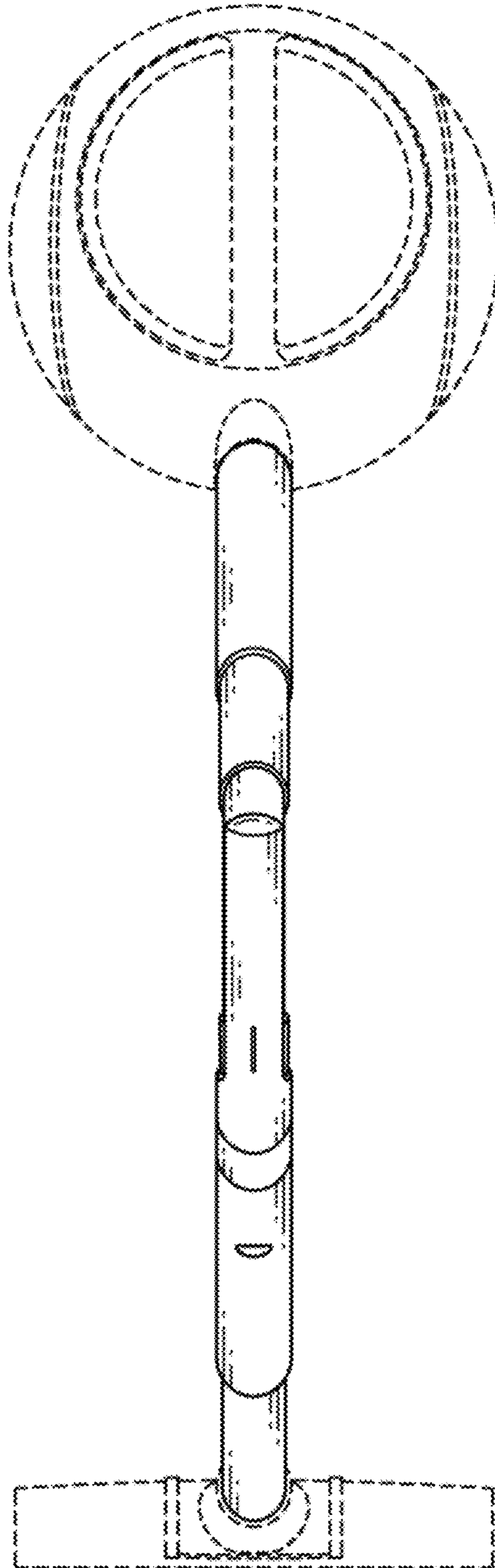
1.4



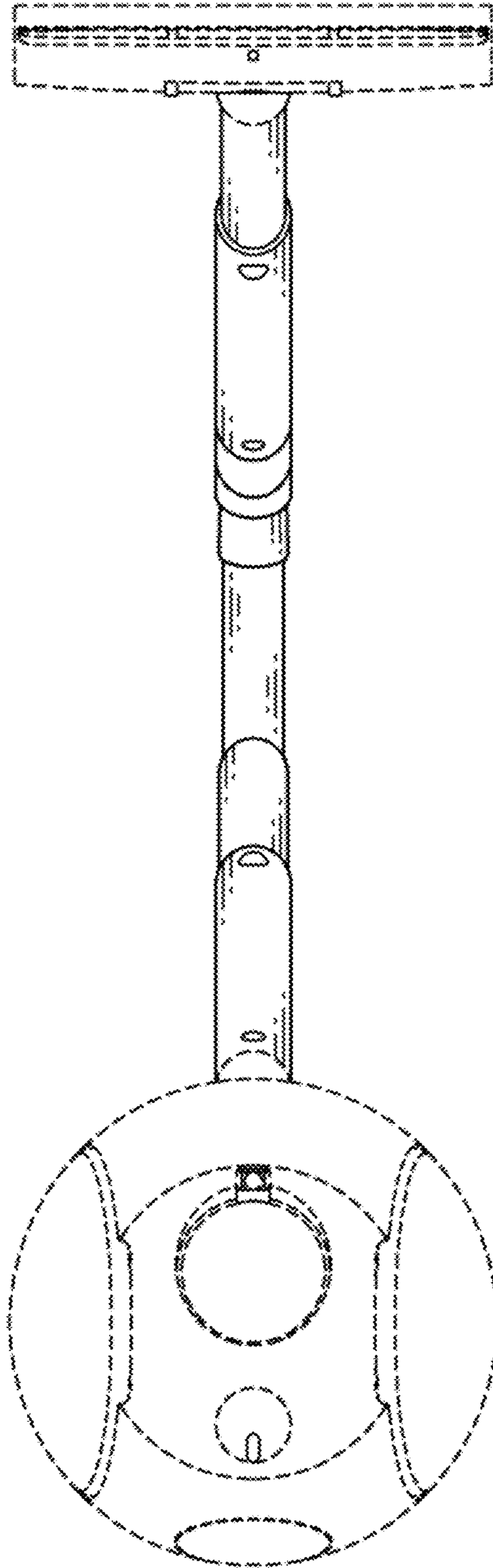
1.5



1.6

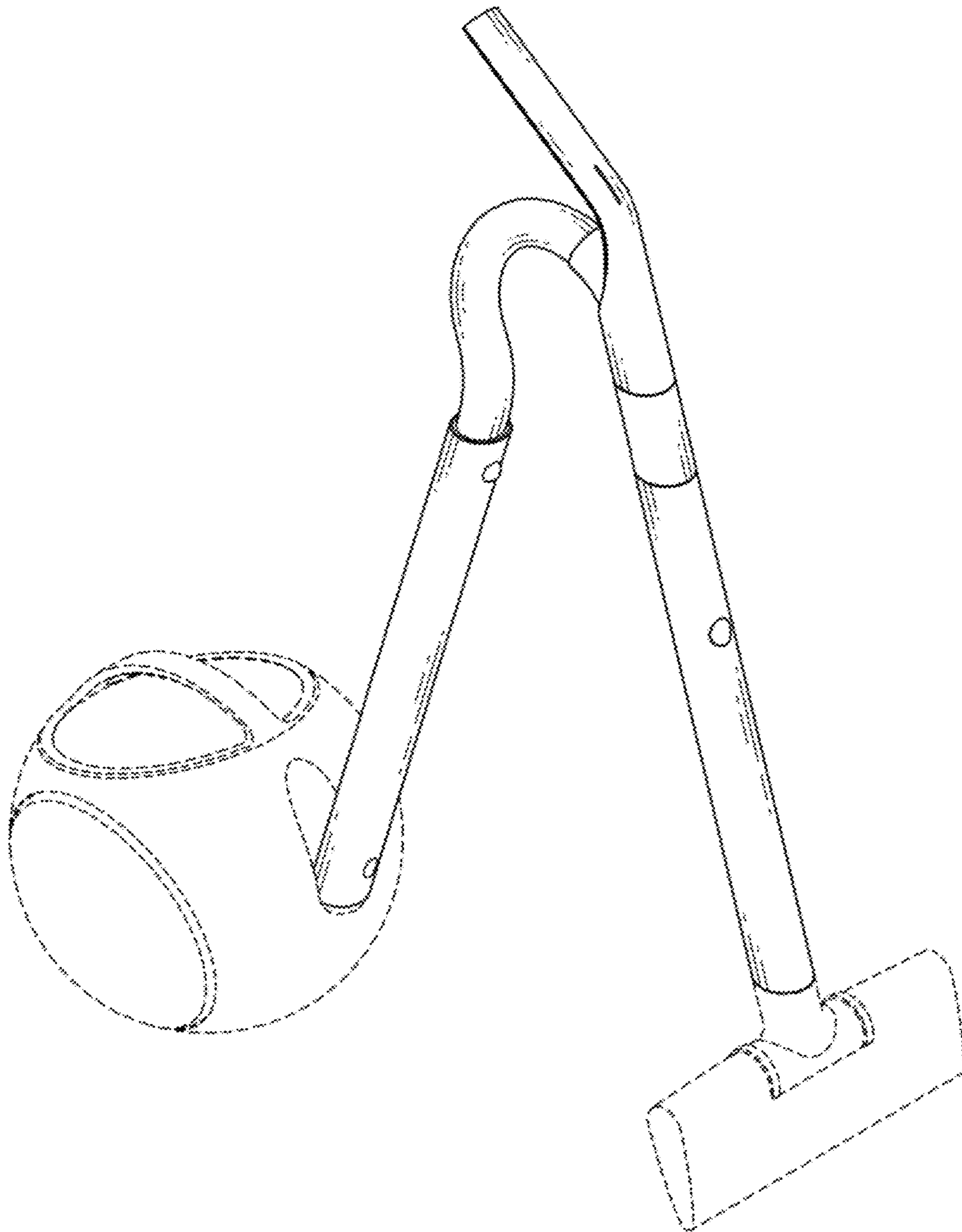


1.7

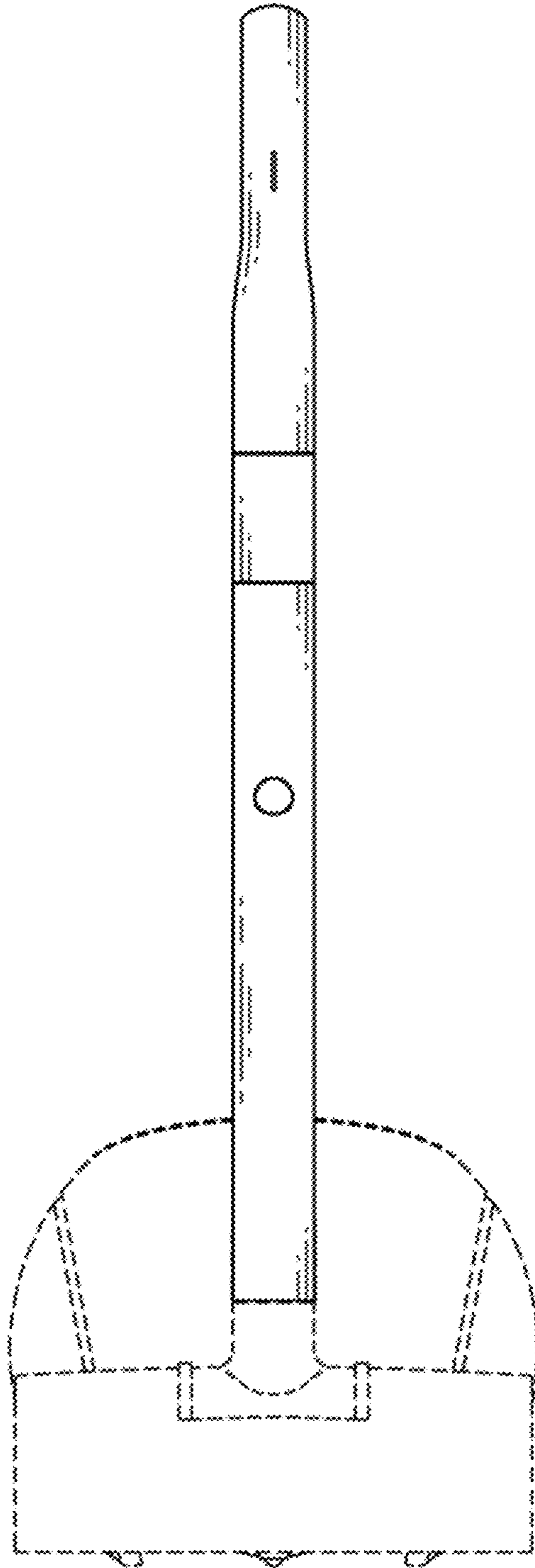




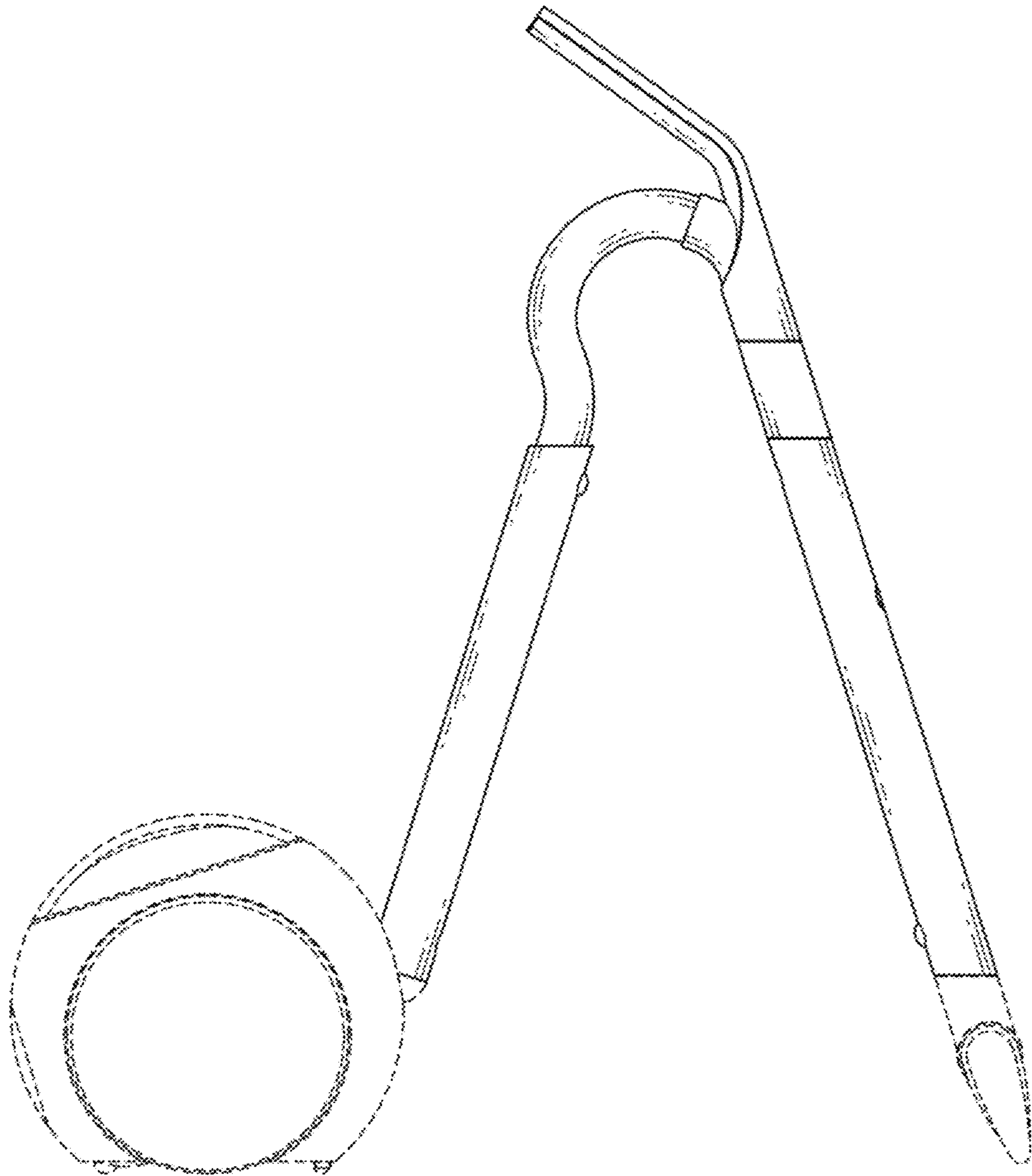
1.8



1.9



1.10



1.11

