



US00D807599S

(12) **United States Design Patent**  
**Nam et al.**

(10) **Patent No.:** **US D807,599 S**  
(45) **Date of Patent:** **\*\* Jan. 9, 2018**

(54) **ROBOT CLEANER**

(71) Applicant: **LG ELECTRONICS INC.**, Seoul (KR)

(72) Inventors: **Bohyun Nam**, Seoul (KR); **Sojin Park**, Seoul (KR); **Seunghyun Song**, Seoul (KR); **Jungkyu Son**, Seoul (KR); **Shwan Bae**, Seoul (KR)

(73) Assignee: **LG ELECTRONICS INC.**, Seoul (KR)

(\*\*) Term: **15 Years**

(21) Appl. No.: **29/566,114**

(22) Filed: **May 26, 2016**

(30) **Foreign Application Priority Data**

Dec. 1, 2015 (KR) ..... 30-2015-0060925

(51) **LOC (11) Cl.** ..... **15-05**

(52) **U.S. Cl.**  
USPC ..... **D32/21**

(58) **Field of Classification Search**  
USPC ..... D32/17, 21-24, 31  
CPC .... A04H 4/1636; A04H 4/1654; A04H 4/169;  
A47L 9/2842  
See application file for complete search history.

(56) **References Cited**

**U.S. PATENT DOCUMENTS**

D625,059 S \* 10/2010 Morenstein ..... D32/21  
D625,477 S \* 10/2010 Morenstein ..... D32/21  
D630,808 S \* 1/2011 Dye ..... D32/21  
D630,809 S \* 1/2011 Dye ..... D32/21  
D669,235 S \* 10/2012 Bassett ..... D32/21  
D684,738 S \* 6/2013 Richiuso ..... D32/21

D690,478 S \* 9/2013 Li ..... D32/21  
D690,887 S \* 10/2013 Lee ..... D32/21  
D691,337 S \* 10/2013 Kim ..... D32/21  
D709,255 S \* 7/2014 Wang ..... D32/21  
D714,002 S \* 9/2014 Casini ..... D32/21  
D715,504 S \* 10/2014 Deoksang ..... D32/21  
D718,911 S \* 12/2014 Vanderstegen-Drake ..... D32/21  
D720,103 S \* 12/2014 Haug ..... D32/21  
D721,460 S \* 1/2015 Hanan ..... D32/21  
D728,873 S \* 5/2015 Renaud ..... D32/21  
D745,757 S \* 12/2015 Choi ..... D32/21  
D746,005 S \* 12/2015 Cheon ..... D32/21  
D747,573 S \* 1/2016 Richiuso ..... D32/21  
D751,777 S \* 3/2016 Cheon ..... D32/21  
D771,884 S \* 11/2016 Ninomiya ..... D32/21  
D778,514 S \* 2/2017 Park ..... D32/21  
D778,515 S \* 2/2017 Choi ..... D32/21

\* cited by examiner

*Primary Examiner* — Ruth McInroy

(74) *Attorney, Agent, or Firm* — Dentons US LLP

(57) **CLAIM**

We claim the ornamental design for a robot cleaner, as shown and described.

**DESCRIPTION**

FIG. 1 is a perspective view of a robot cleaner showing our new design;  
FIG. 2 is a front elevation view thereof;  
FIG. 3 is a rear elevation view thereof;  
FIG. 4 is a left-side elevation view thereof;  
FIG. 5 is a right-side elevation view thereof;  
FIG. 6 is a top plan view thereof; and,  
FIG. 7 is a rear perspective view thereof showing the dust canister detached.

The broken lines represent unclaimed portions of the robot cleaner and form no part of the claimed design.

**1 Claim, 5 Drawing Sheets**

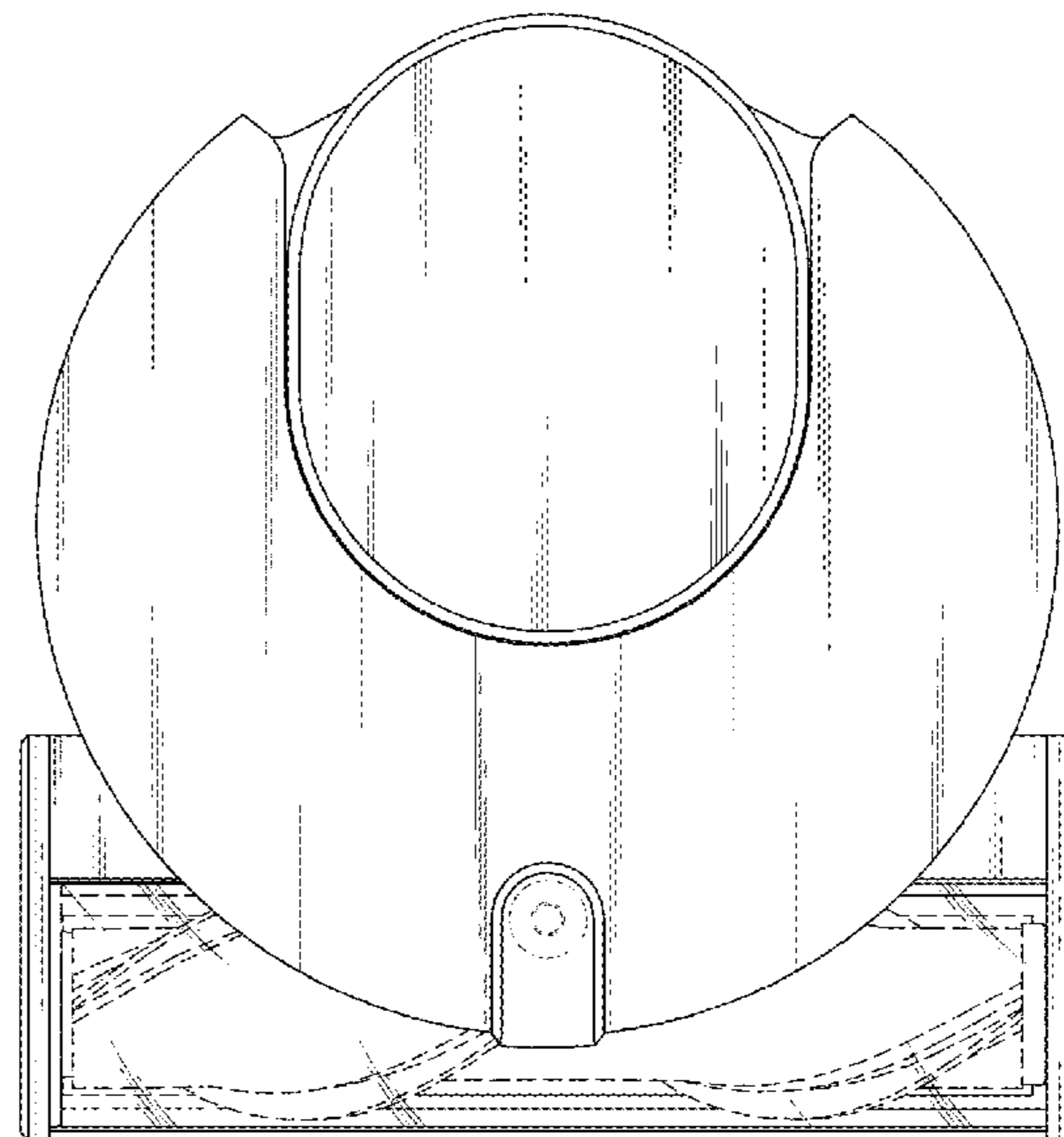
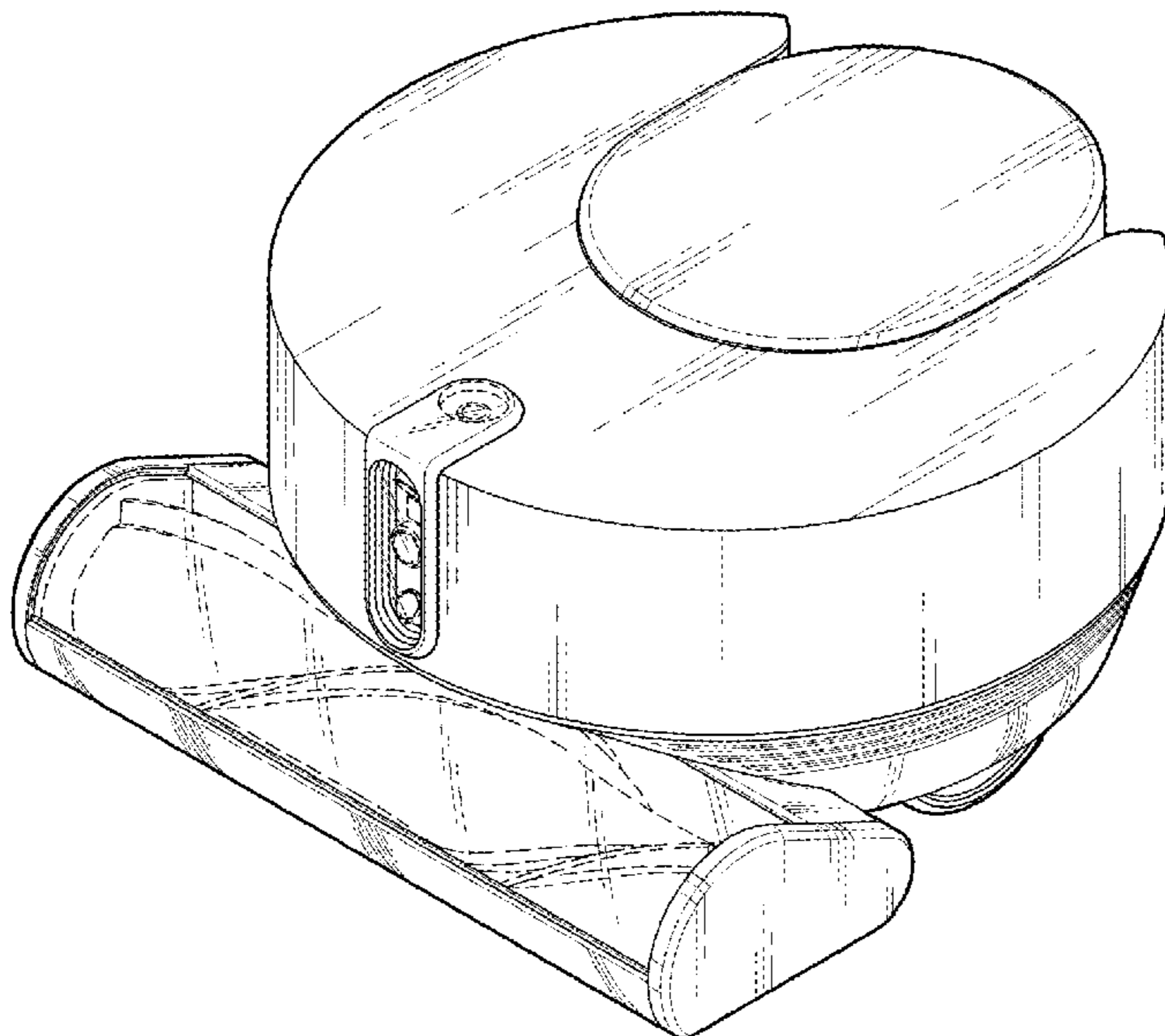


FIG. 1

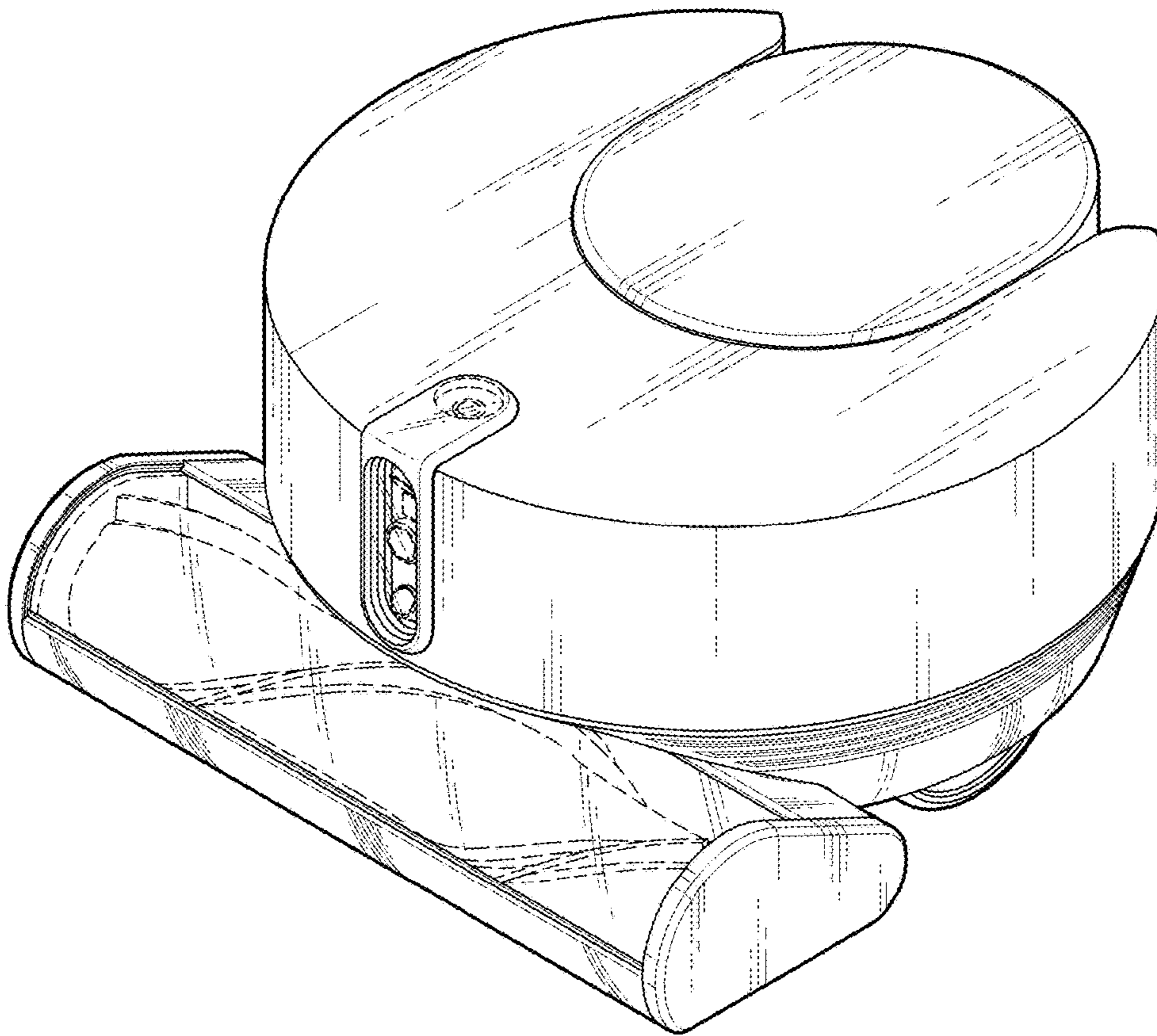


FIG. 2

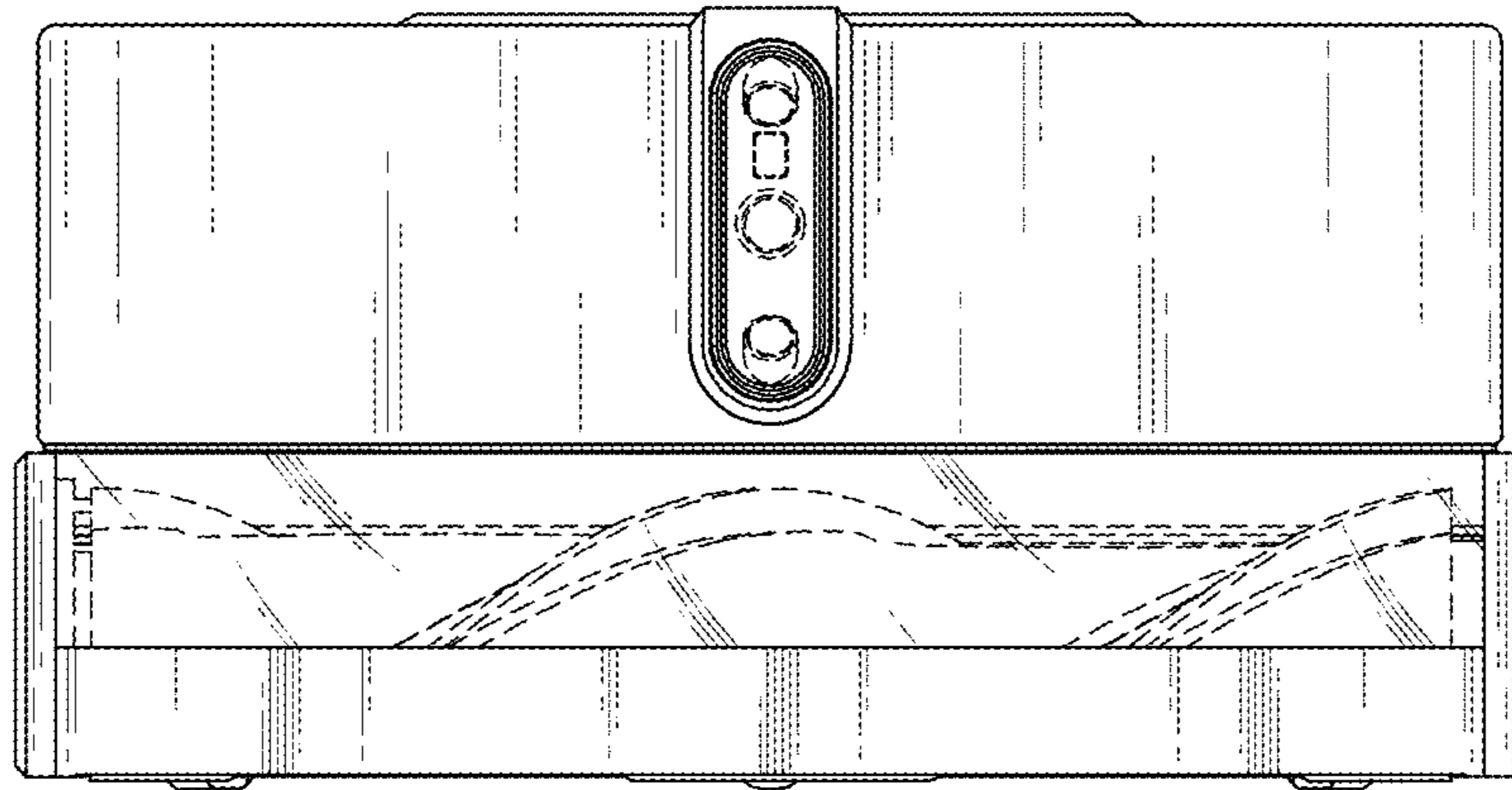


FIG. 3

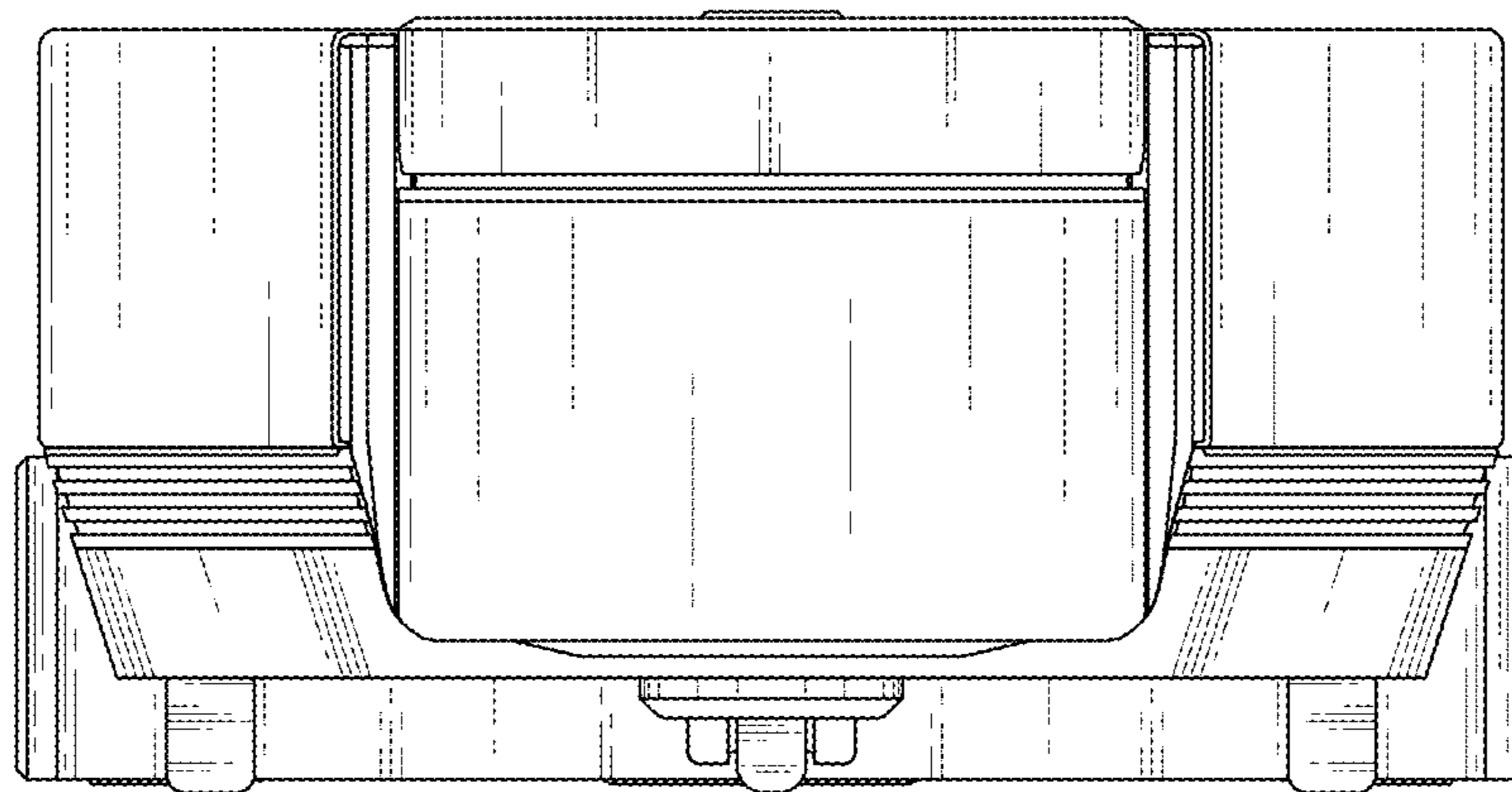


FIG. 4

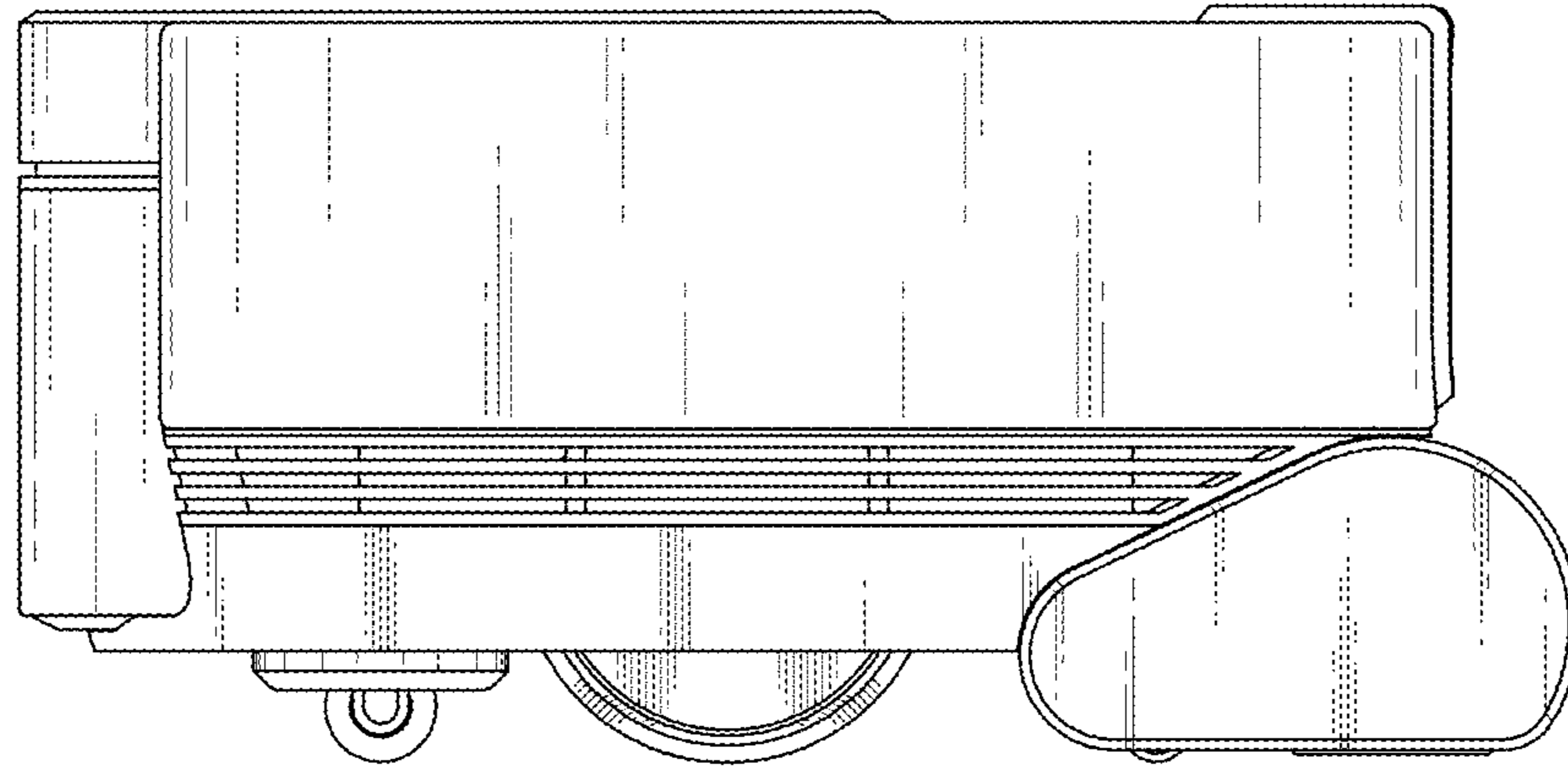


FIG. 5

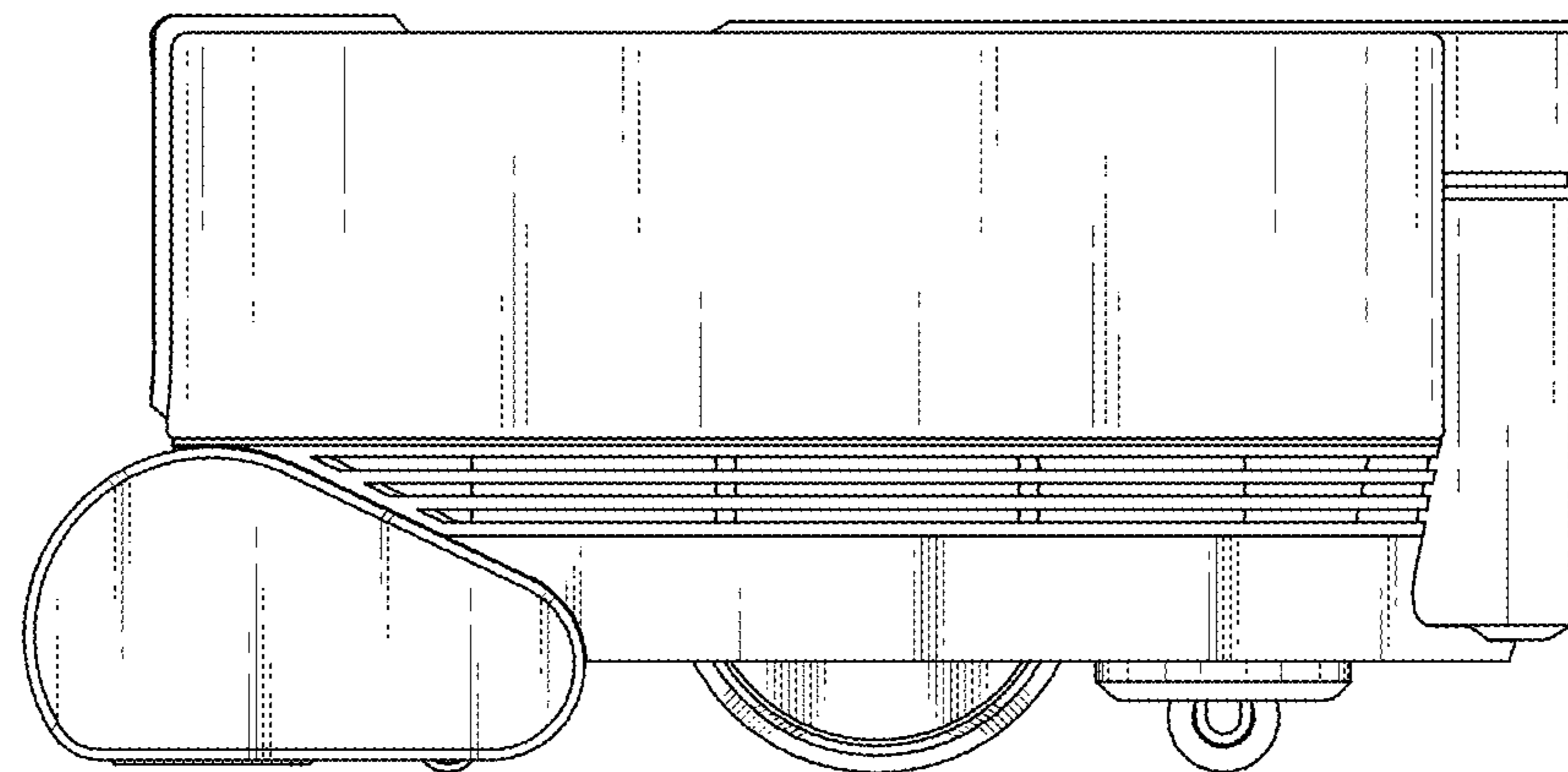


FIG. 6

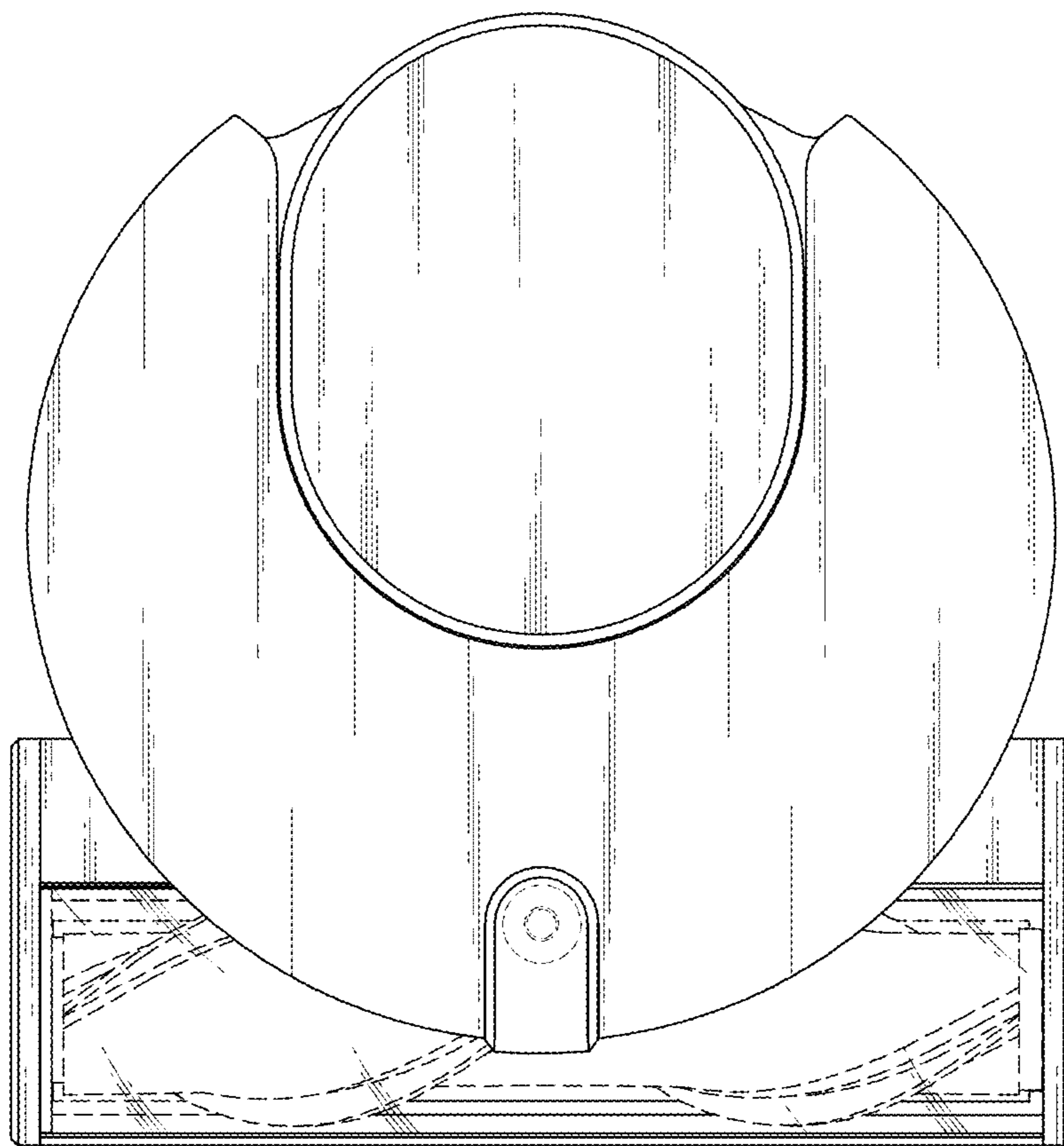


FIG. 7

