



US00D807598S

(12) **United States Design Patent**
Houghton

(10) **Patent No.:** **US D807,598 S**
(45) **Date of Patent:** **** Jan. 9, 2018**

(54) **VACUUM CLEANER**

(56) **References Cited**

(71) Applicant: **BLACK & DECKER INC.**, New Britain, CT (US)

U.S. PATENT DOCUMENTS

(72) Inventor: **Stephen Houghton**, Newcastle-upon-Tyne (GB)

| | | | | | |
|------------|---|---------|----------|-------|--------|
| D448,895 S | * | 10/2001 | Andreas | | D32/18 |
| D511,598 S | * | 11/2005 | Snowball | | D32/18 |
| D556,397 S | * | 11/2007 | Agren | | D32/18 |
| D564,149 S | * | 3/2008 | Fjellman | | D32/18 |
| D564,152 S | * | 3/2008 | Fjellman | | D32/18 |
| D564,156 S | * | 3/2008 | Agren | | D32/31 |
| D566,349 S | * | 4/2008 | Agren | | D32/18 |
| D578,259 S | * | 10/2008 | Agren | | D32/18 |
| D648,496 S | * | 11/2011 | Luyckx | | D32/18 |
| D759,920 S | * | 6/2016 | Gray | | D32/31 |
| D767,222 S | * | 9/2016 | Houghton | | D32/31 |
| D773,130 S | * | 11/2016 | Gray | | D32/18 |

(73) Assignee: **BLACK & DECKER INC.**, New Britain, CT (US)

(**) Term: **15 Years**

* cited by examiner

(21) Appl. No.: **29/545,482**

(22) Filed: **Nov. 13, 2015**

Primary Examiner — Ruth McInroy

(30) **Foreign Application Priority Data**

(74) *Attorney, Agent, or Firm* — John Yun

May 14, 2015 (EM) 002700872-0001
May 14, 2015 (EM) 002700872-0002

(57) **CLAIM**

The ornamental design for a vacuum cleaner, as shown and described.

(51) **LOC (11) Cl.** **15-05**

DESCRIPTION

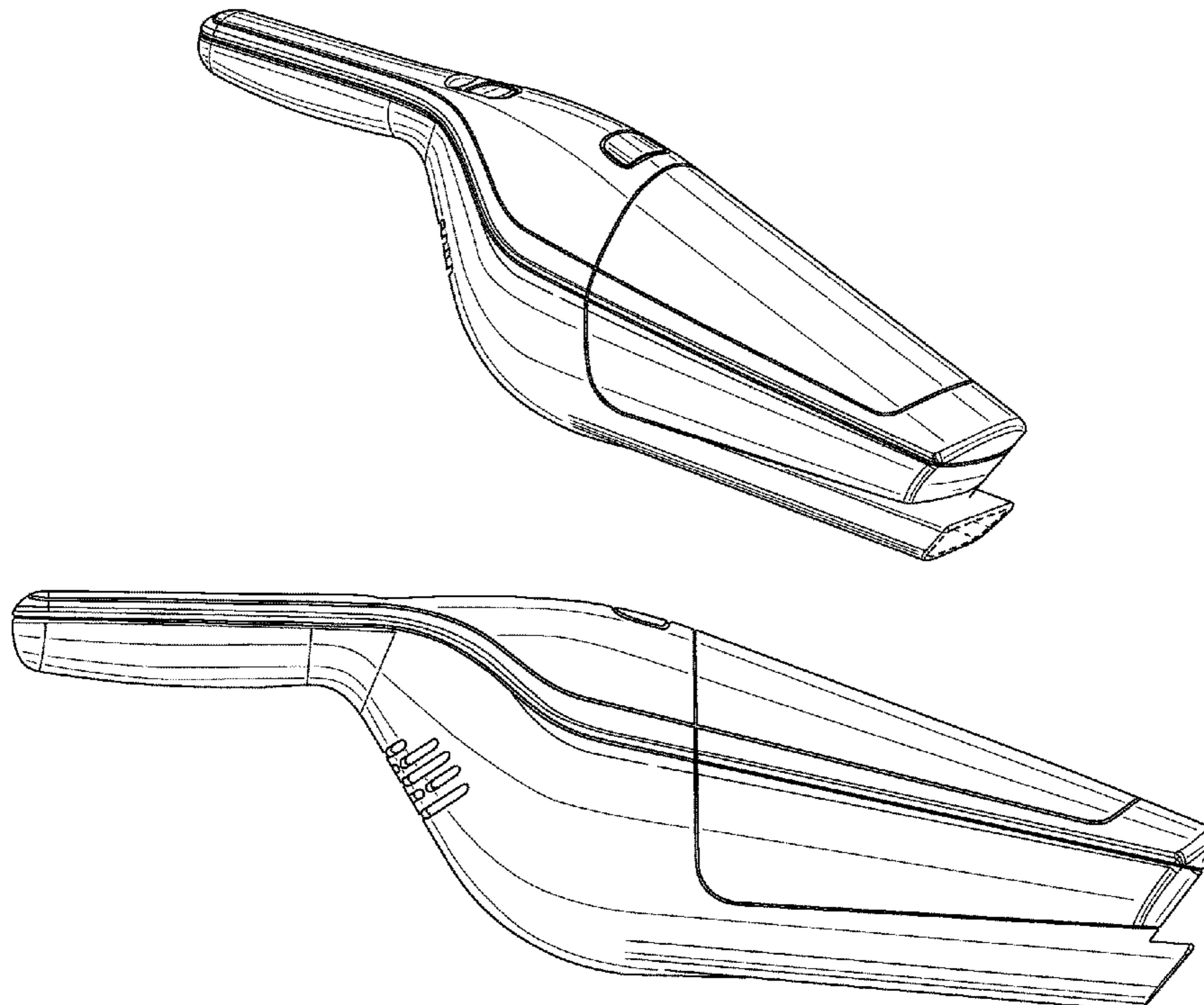
(52) **U.S. Cl.**
USPC **D32/18**

(58) **Field of Classification Search**
USPC D32/17-18, 21-22, 31, 34
CPC A47L 5/24; A47L 5/28; A47L 5/34; A47L 5/362; A47L 5/36; A47L 11/34; A47L 9/325; A47L 9/20; A47L 9/02; A47L 9/32; A47L 9/322; A47L 9/327; A47L 7/0038

FIG. 1 is a perspective view of a vacuum cleaner showing my new design;
FIG. 2 is a left side view thereof
FIG. 3 is a right side view thereof;
FIG. 4 is a front view thereof;
FIG. 5 is a rear view thereof;
FIG. 6 is a bottom plan view thereof; and,
FIG. 7 is a top plan view thereof.

See application file for complete search history.

1 Claim, 7 Drawing Sheets



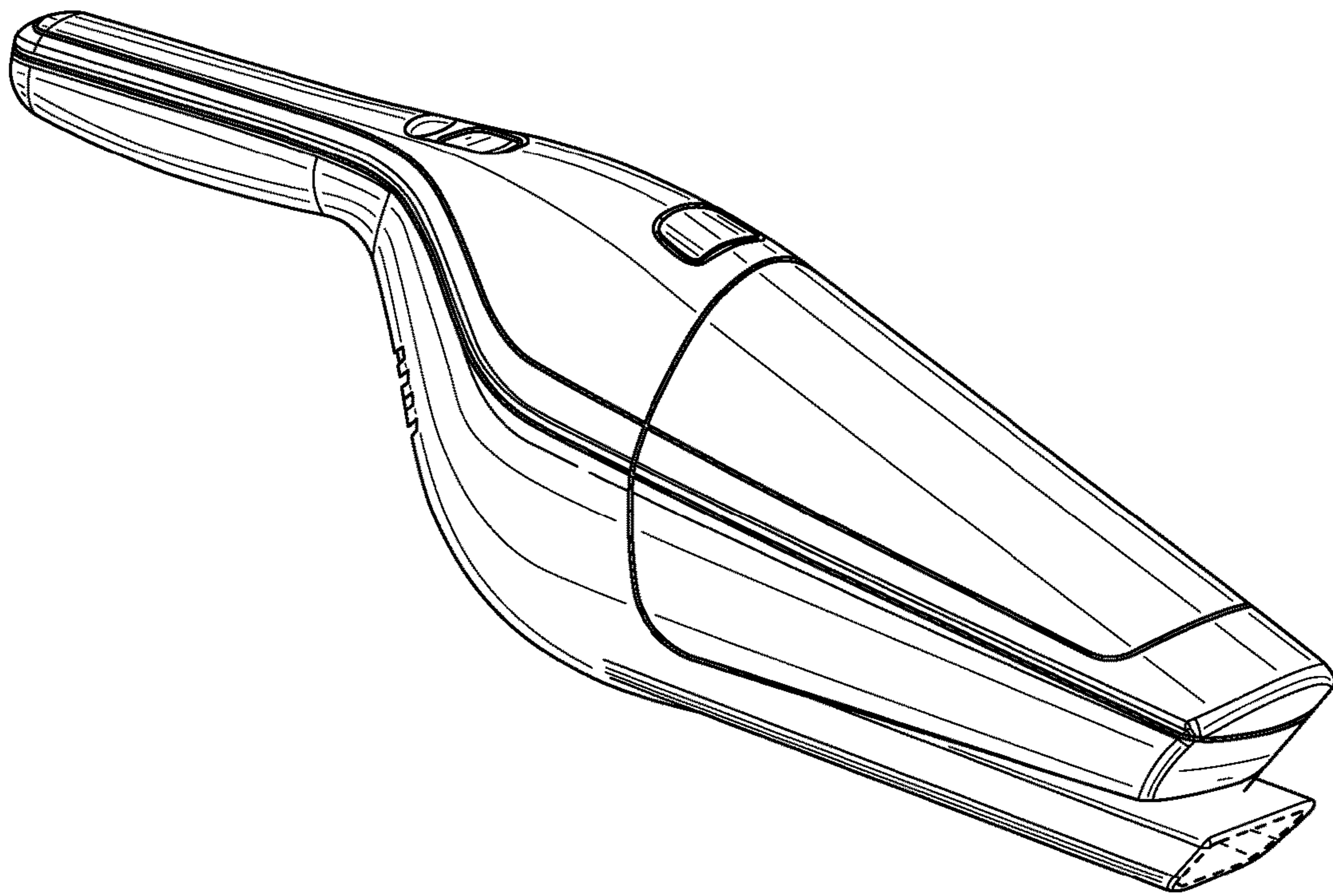


FIG. 1

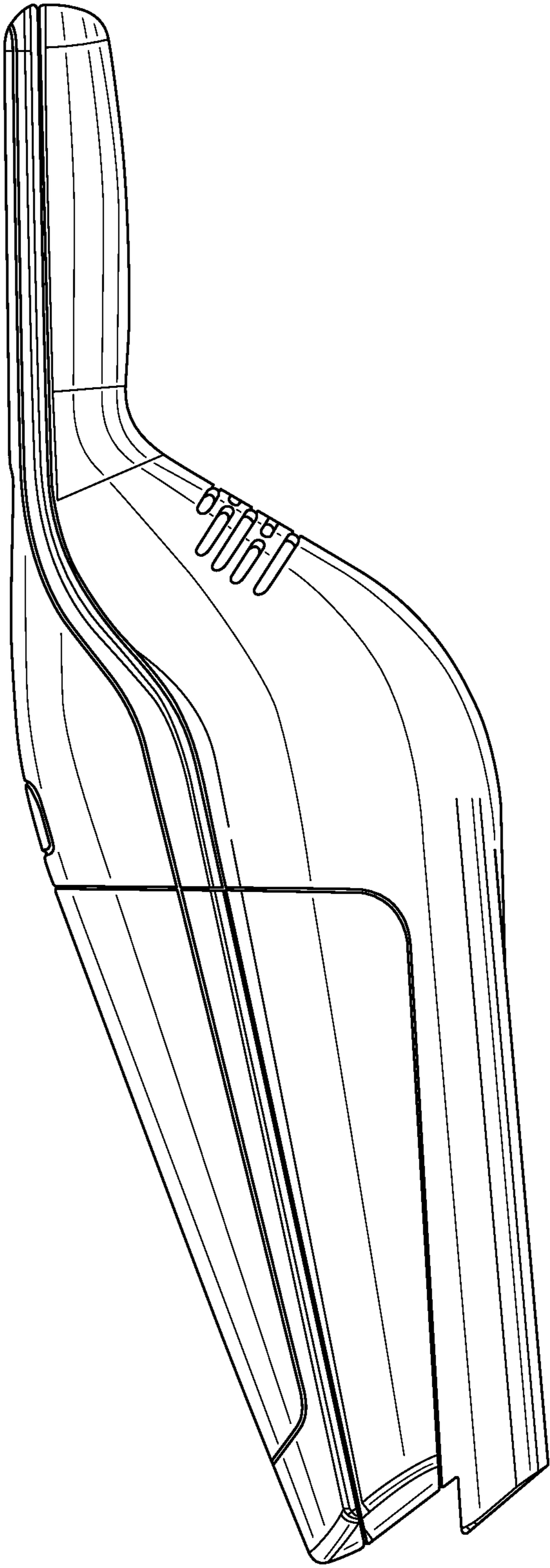


FIG. 2

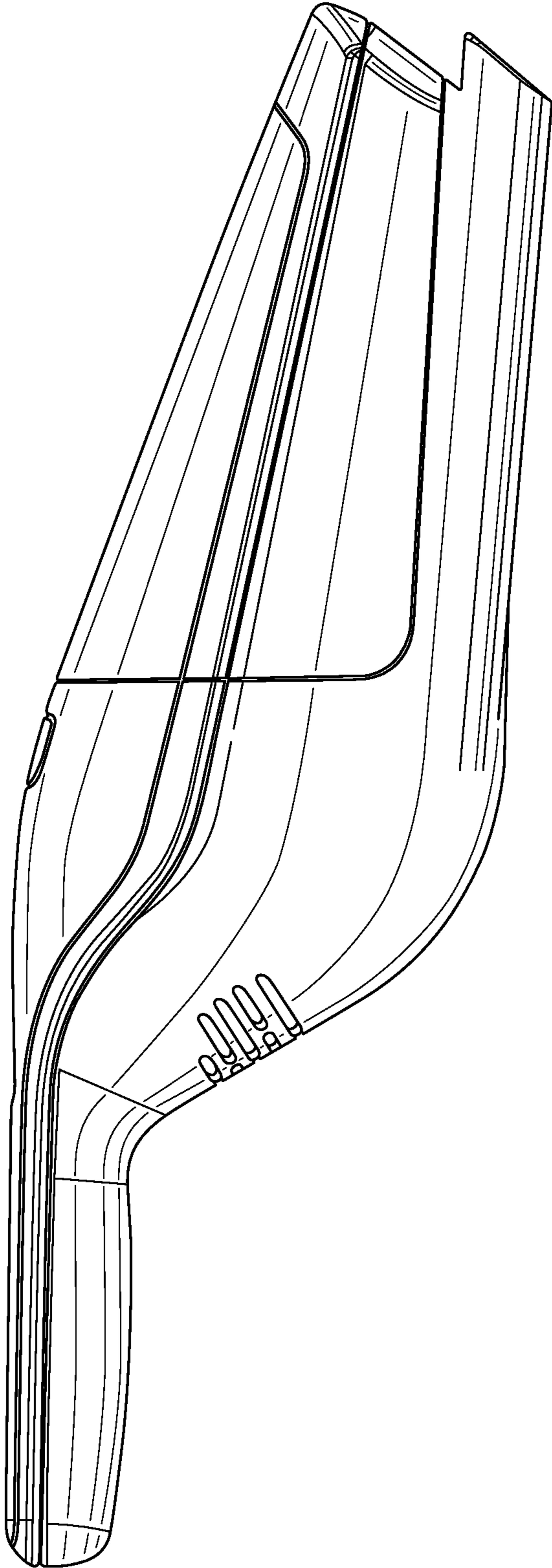


FIG. 3

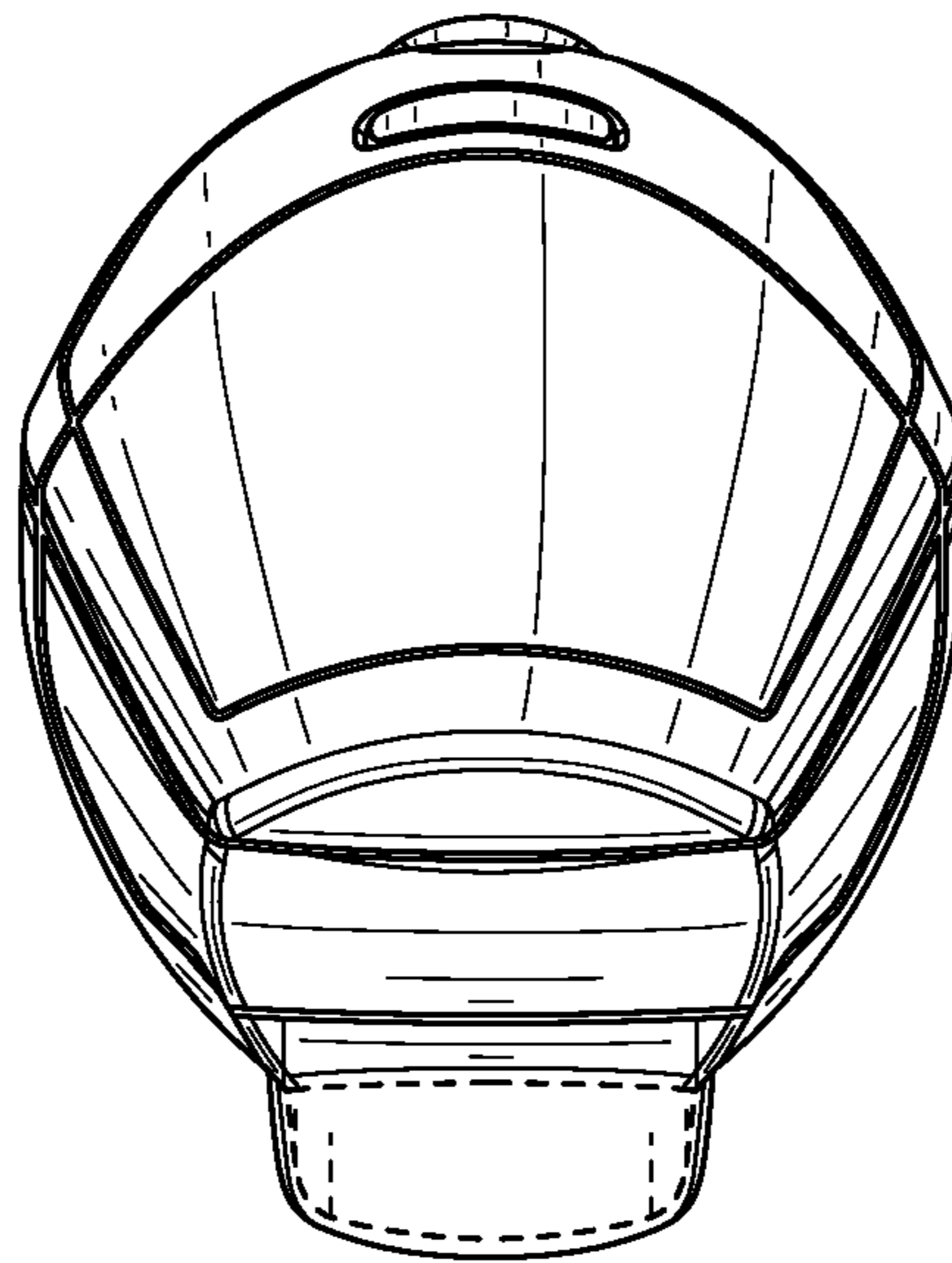


FIG. 4

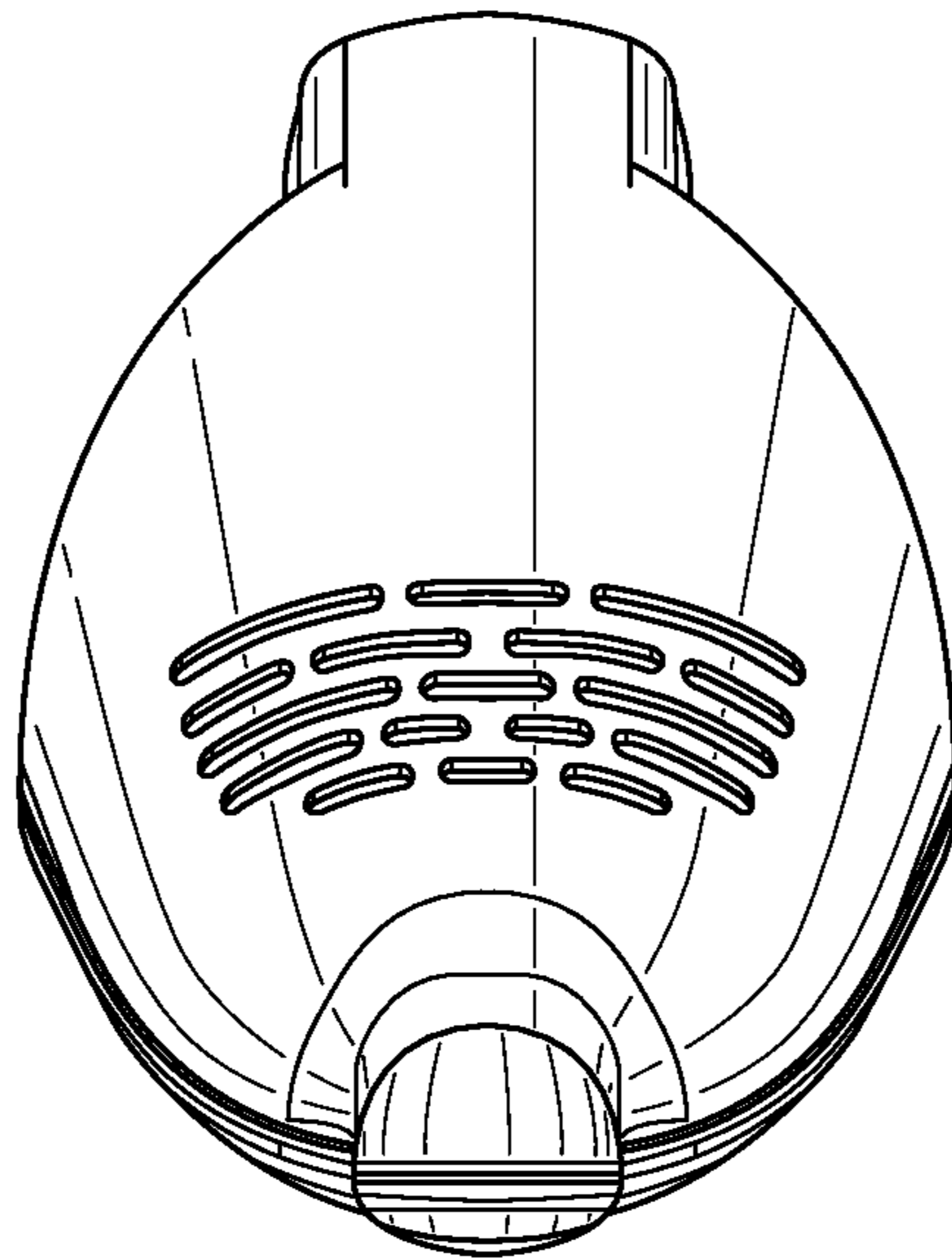


FIG. 5

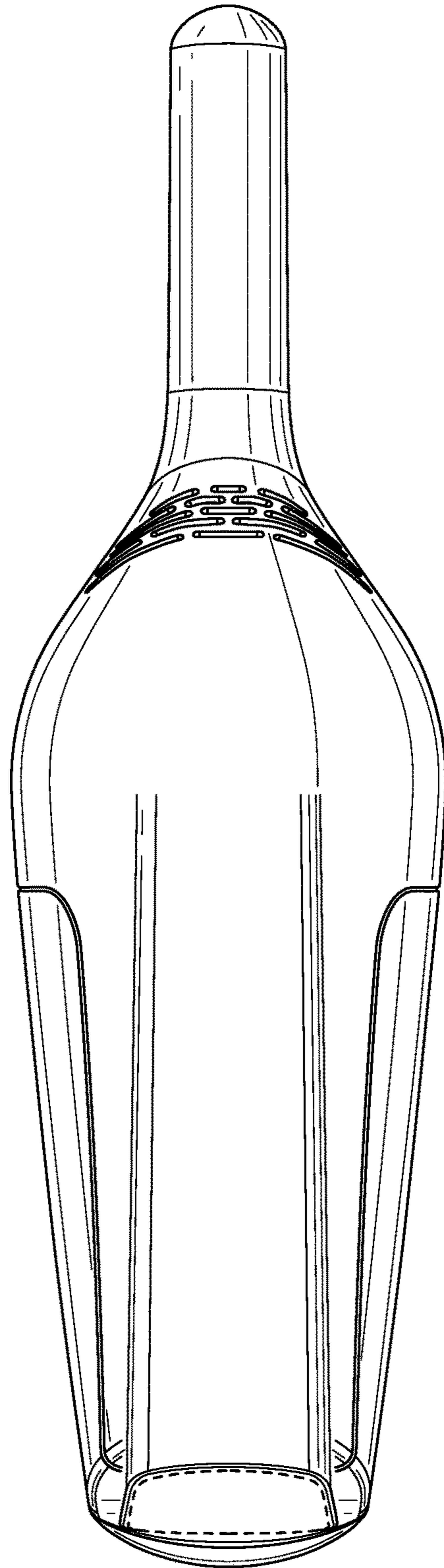


FIG. 6

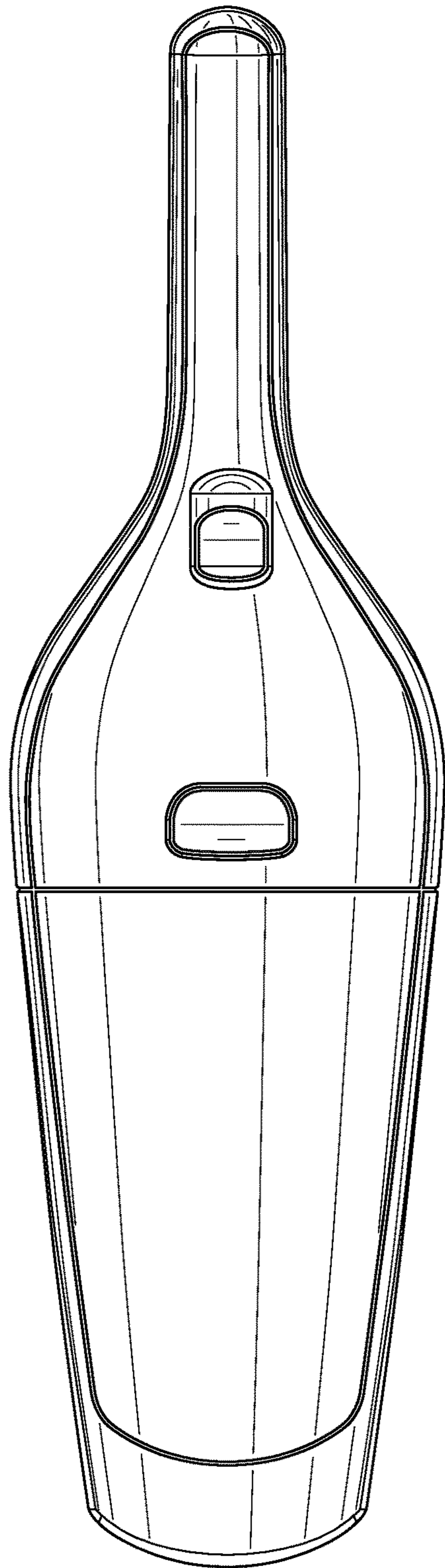


FIG. 7