



US00D807597S

(12) **United States Design Patent** (10) **Patent No.:** **US D807,597 S**
Antal et al. (45) **Date of Patent:** **** Jan. 9, 2018**

- (54) **DART HAVING BLADES FOR CLEANING TUBES**
- (71) Applicant: **National Heat Exchange Cleaning Corporation**, Youngstown, OH (US)
- (72) Inventors: **Brian D. Antal**, Fombell, PA (US);
Carroll E. Joseph, Leetonia, OH (US)
- (73) Assignee: **National Heat Exchange Cleaning Corporation**, Youngstown, OH (US)
- (**) Term: **14 Years**
- (21) Appl. No.: **29/516,588**
- (22) Filed: **Feb. 4, 2015**
- (51) **LOC (11) Cl.** **15-05**
- (52) **U.S. Cl.**
USPC **D32/14**
- (58) **Field of Classification Search**
USPC D32/14, 25, 35
CPC ... B08B 9/0557; B08B 9/0553; B08B 9/0436;
B08B 9/0555; G01W 1/14; F28G 1/12;
F28G 1/08; F41A 29/02
See application file for complete search history.

4,416,703 A *	11/1983	Scott	B08B 9/0555
				134/22.11
4,937,907 A *	7/1990	Antal	F28G 1/12
				15/104.061
4,962,607 A *	10/1990	Baldwin	F41A 29/02
				15/104.165
D315,621 S *	3/1991	Laymon	D32/14
5,153,963 A	10/1992	Saxon et al.		
5,528,790 A *	6/1996	Curran	F28G 1/08
				15/104.061
D391,705 S *	3/1998	Good	D32/35
D393,115 S *	3/1998	Bell	D22/108
5,960,505 A *	10/1999	Sanghoon	B08B 9/0557
				15/104.061
6,085,376 A *	7/2000	Antal	B08B 9/0557
				15/104.061
D454,003 S *	3/2002	Saxon	D4/102
D491,325 S *	6/2004	Hawkins	D32/14

(Continued)

Primary Examiner — Michael A. Pratt
Assistant Examiner — Michelle E Wilson
(74) *Attorney, Agent, or Firm* — The Webb Law Firm

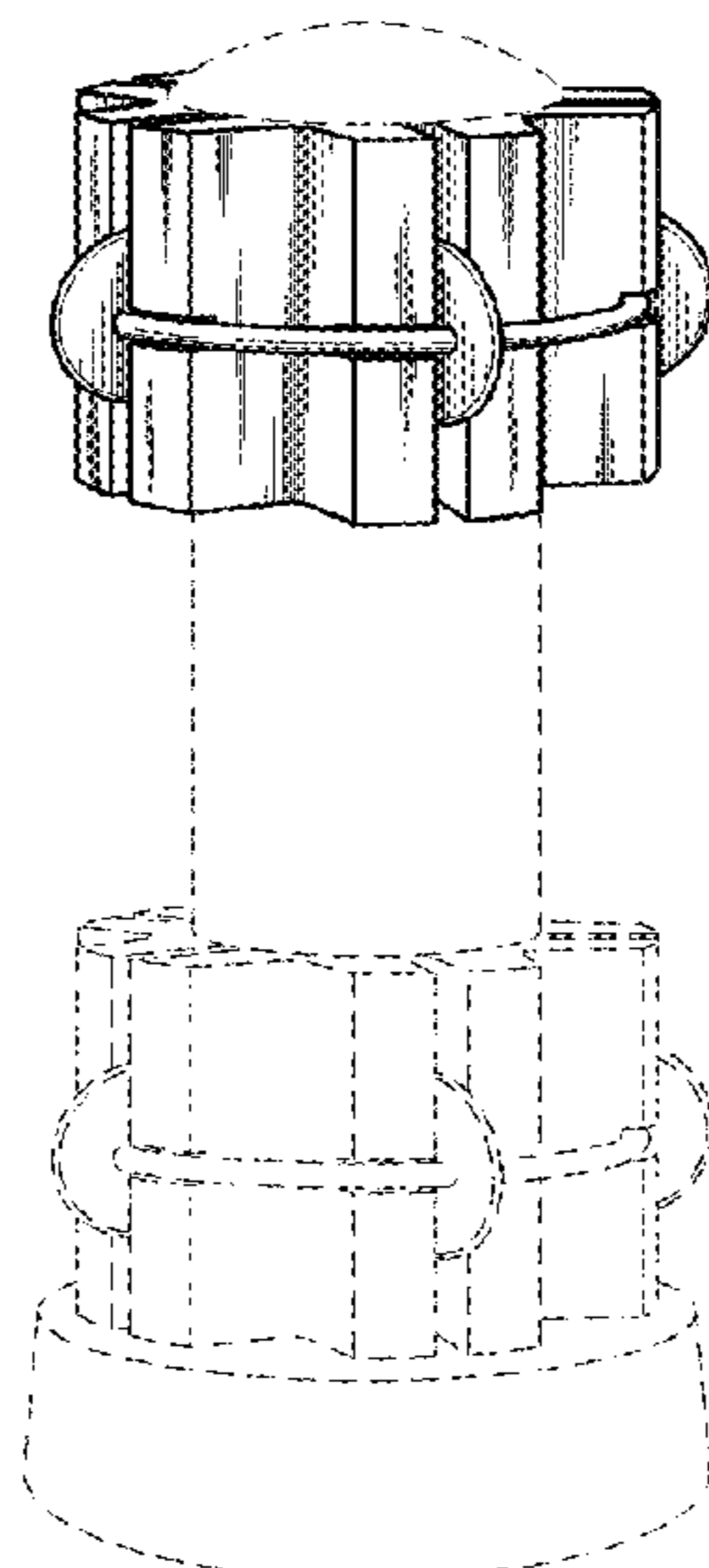
(57) **CLAIM**

The ornamental design for a dart having blades for cleaning tubes, as shown and described.

DESCRIPTION

FIG. 1 is a front view of a dart having blades for cleaning tubes showing our new design in accordance with one embodiment of the present invention;
FIG. 2 is a rear view thereof;
FIG. 3 is a right side view thereof;
FIG. 4 is a left side view thereof;
FIG. 5 is a top view thereof;
FIG. 6 is a bottom view thereof; and,
FIG. 7 is an upper left bottom perspective view thereof.
The broken line shown in the drawings are included for the purpose of illustrating portions of the dart that form no part of the claimed design.

1 Claim, 2 Drawing Sheets



(56)

References Cited

U.S. PATENT DOCUMENTS

7,454,812 B1 * 11/2008 Lyle B08B 9/0557
15/104.05
D601,688 S * 10/2009 Abe D23/386
8,051,523 B1 * 11/2011 Franzino B08B 9/0557
15/104.05
D651,773 S * 1/2012 Antal D32/14
2010/0294316 A1 * 11/2010 Antal B08B 9/0436
134/22.12

* cited by examiner

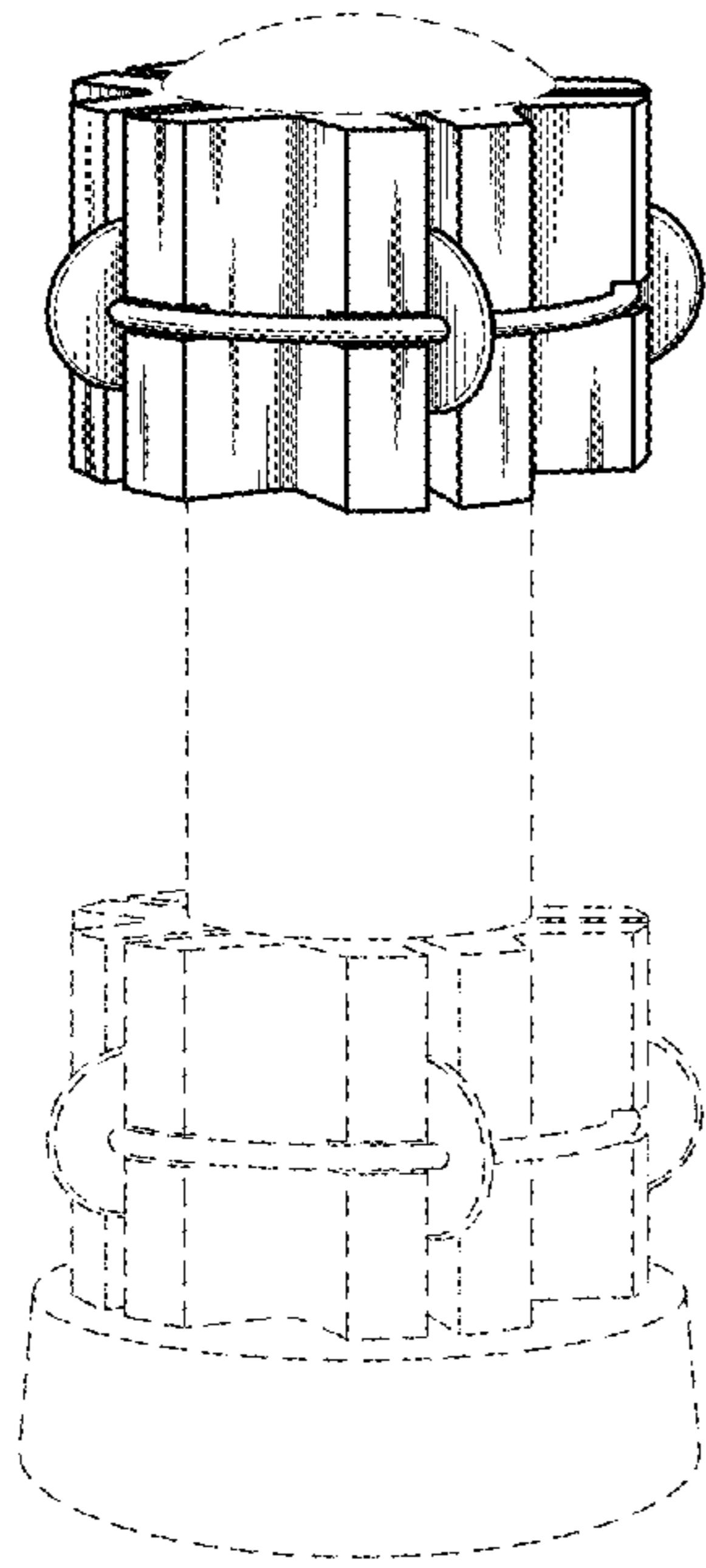


FIG. 1

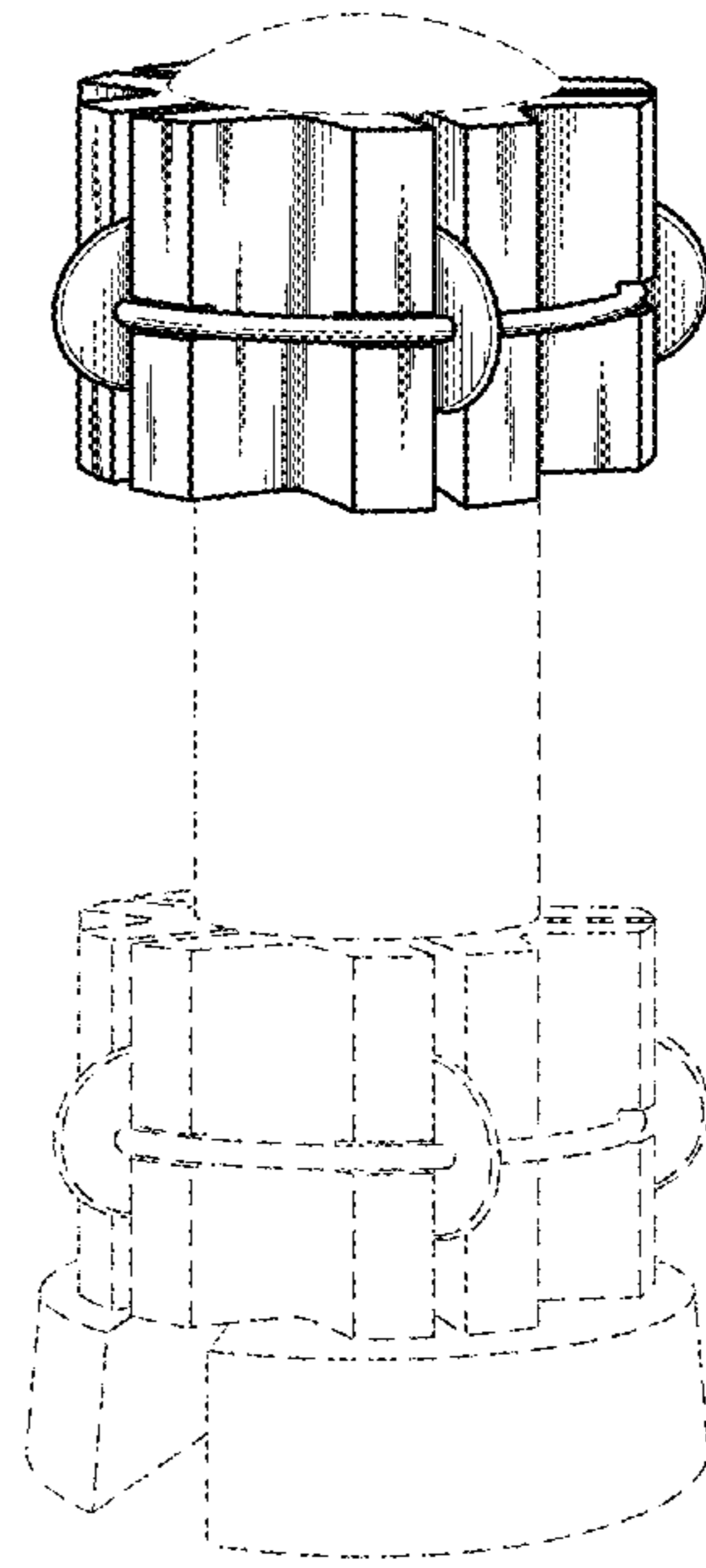


FIG. 2

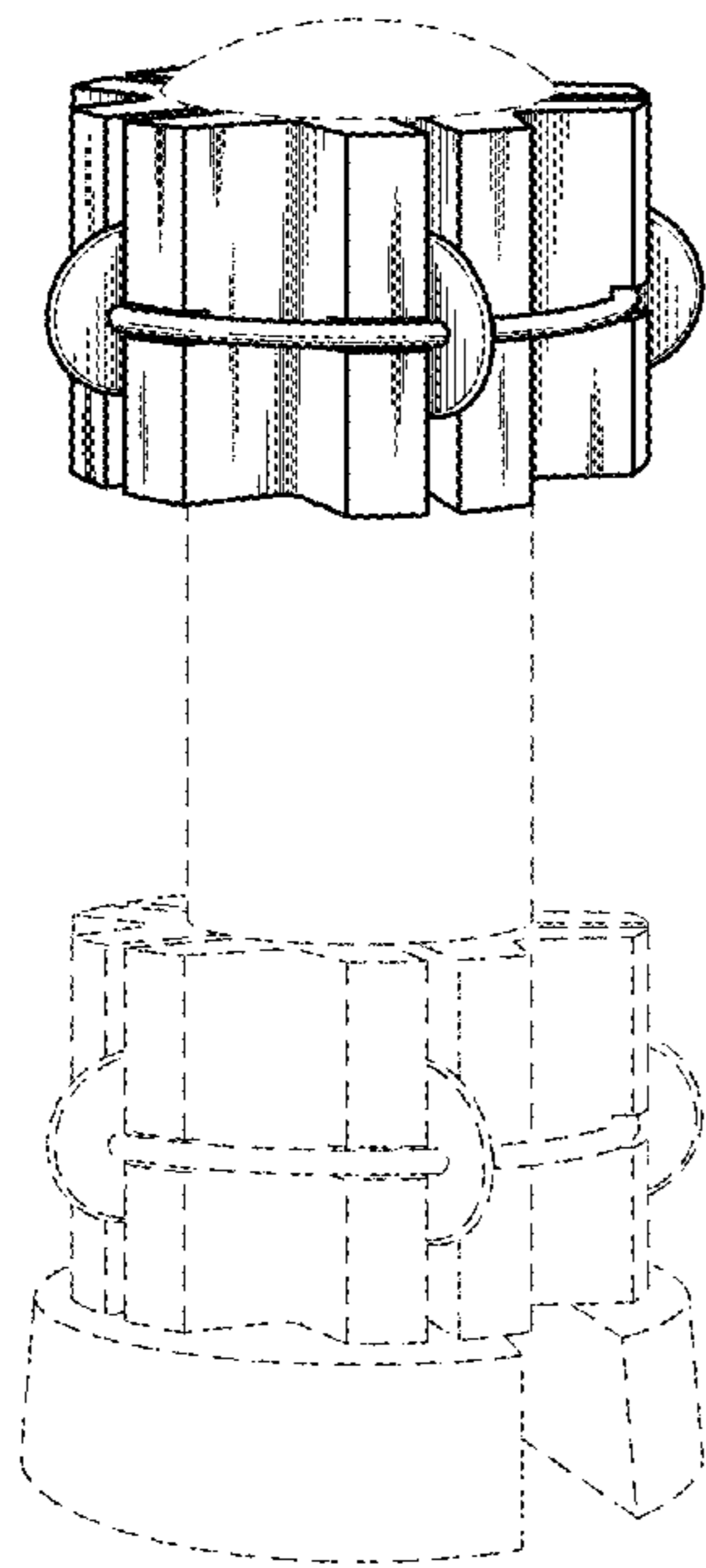


FIG. 3

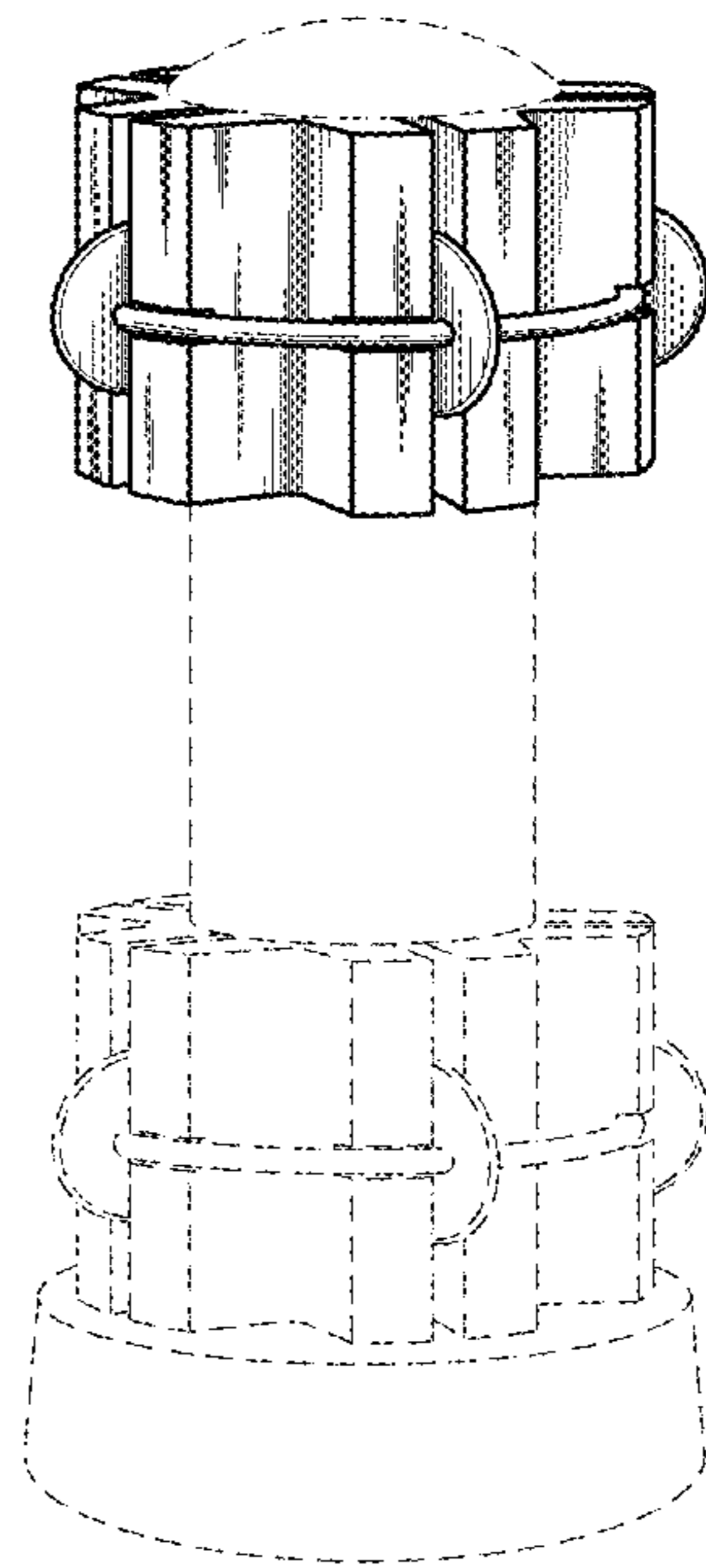


FIG. 4

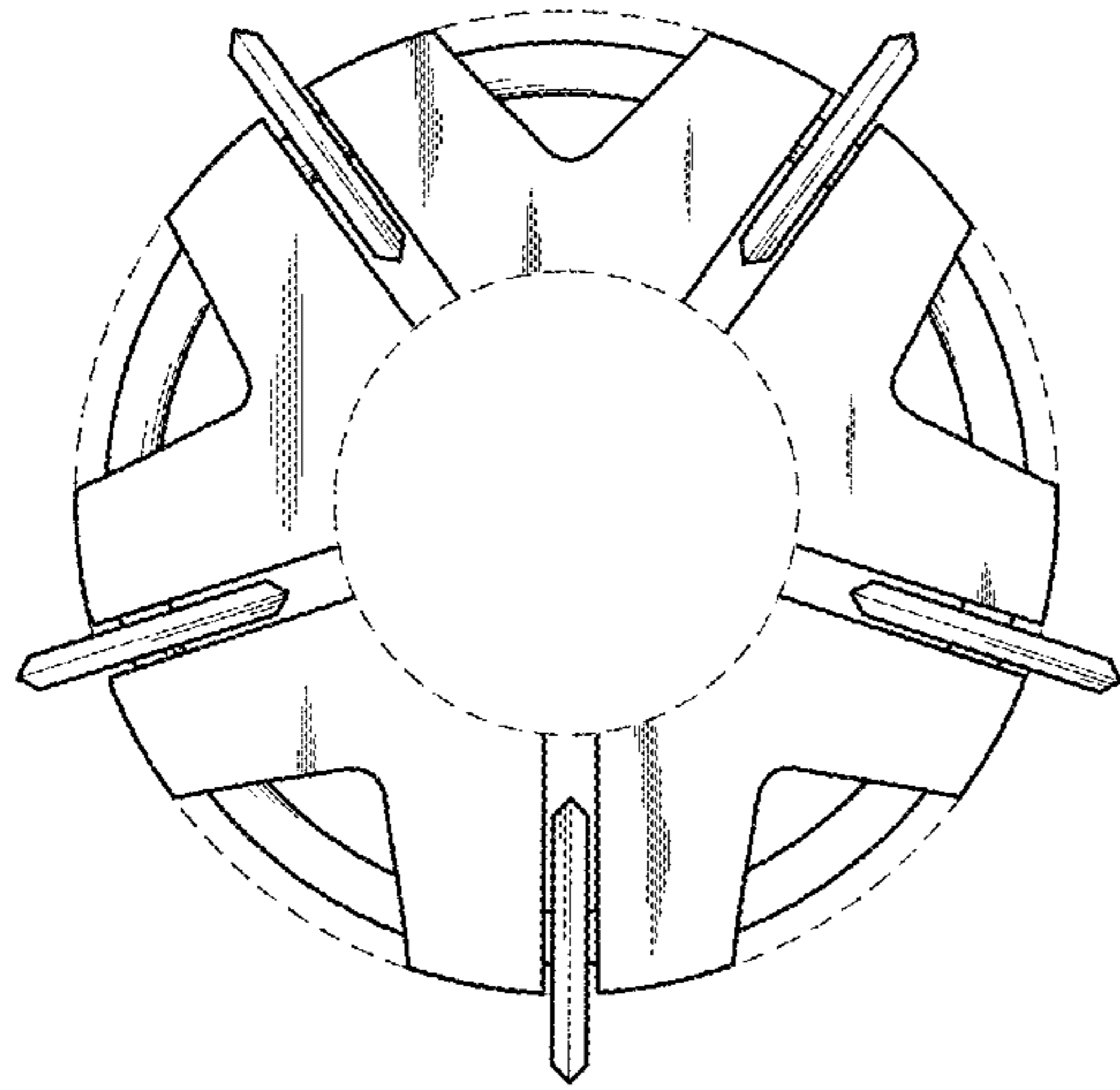


FIG. 5

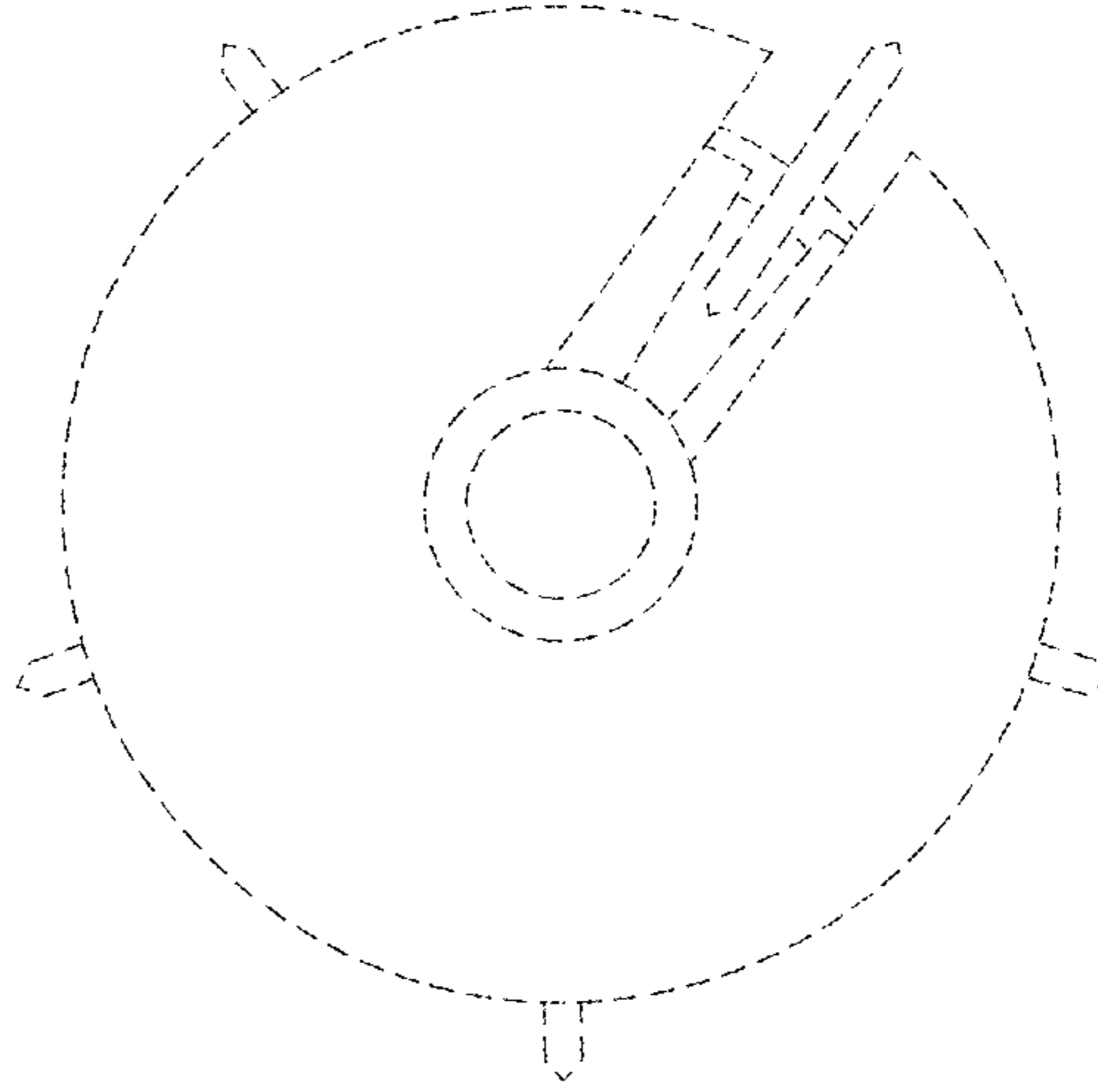


FIG. 6

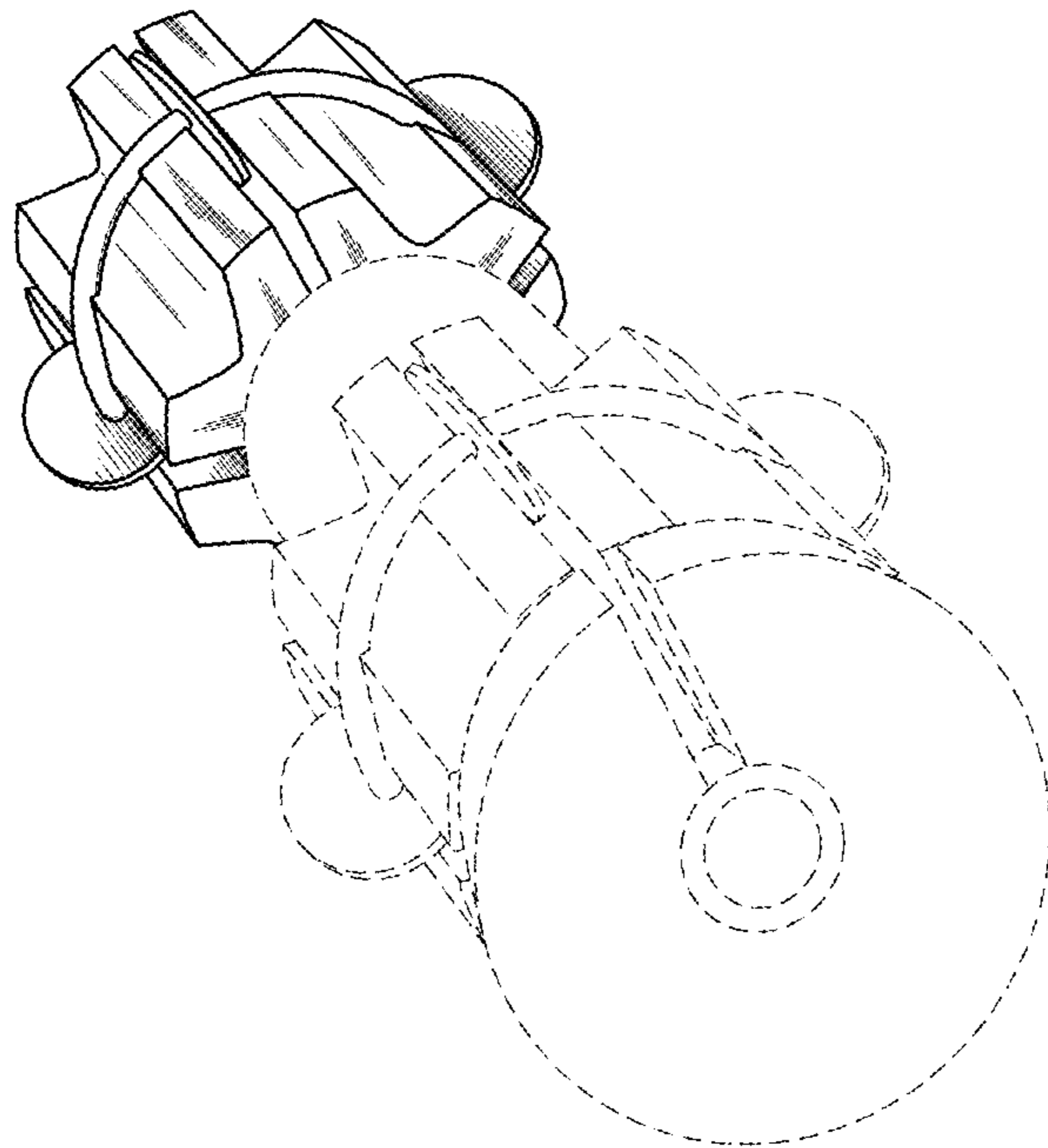


FIG. 7