



US00D807595S

(12) **United States Design Patent**
Valle

(10) **Patent No.:** **US D807,595 S**
(45) **Date of Patent:** **** Jan. 9, 2018**

(54) **PET TOY MARINATOR**

(71) Applicant: **Doskocil Manufacturing Company, Inc.**, Arlington, TX (US)

(72) Inventor: **Andrea Valle**, Stanhope, NJ (US)

(73) Assignee: **LITTLE BIG CAT, INC.**, Beverly Hills, CA (US)

(**) Term: **15 Years**

(21) Appl. No.: **29/558,060**

(22) Filed: **Mar. 15, 2016**

(51) **LOC (11) Cl.** **30-99**

(52) **U.S. Cl.**
USPC **D30/199**

(58) **Field of Classification Search**
USPC D30/199, 160; 119/174, 702, 707-711, 119/51.01; D7/507-511, 533, 536, 543, D7/399, 400, 397, 900, 598, 317, 316, D7/321, 300.1, 300, 523, 529, 532, 601, D7/602, 619.1, 629, 608, 630, 368; D9/500-505, 529, 449, 454, 542, 558, D9/574, 516, 520, 530, 549, 428, 682, D9/686, 688, 715, 719, 523, 716, D9/434-440, 453, 544-546, 552, 575, D9/444, 445, 537, 539, 442, 420, 624, D9/625, 554; D6/512, 518; D34/2; D24/224, 197, 196; D19/162; D28/73, D28/76, 82, 85, 91.1, 197; 99/323, 99/323.3, 467, 485, 494, 646 R, 646 C; 222/556, 547, 563, 544; 220/825, 828, 220/719, 254.3, 203.19, 203.2, 703, 827, 220/200, 707, 705, 592.17; 215/21, 23, 215/24, 312, 313
CPC A01K 29/00; A01K 15/02; A01K 15/025; B65D 43/18; B65D 51/10; B65D 1/00; B65D 1/02; B65D 1/0223; B65D 23/00; B65D 81/00; B65D 81/38; B65D 81/3837; B65D 2501/00; B65D 2501/0009; B65D 2501/0081; A47G

19/12; A47G 19/22; A47G 19/2205; A47G 19/2211; A47G 19/2266; A47J 41/005; A47J 41/0011; A47J 41/0027; F25D 31/007; F25D 31/002; F25D 2331/803; F25D 2303/0841; F16K 17/36; F16K 17/363; F42B 30/02; F42B 5/02; B21K 1/025; A23P 30/00; A23P 20/18; A23L 5/00; A23L 27/00

See application file for complete search history.

(56) **References Cited**

U.S. PATENT DOCUMENTS

317,364 A *	5/1885	Ireland	A61J 19/00 4/258
D19,418 S *	11/1889	Estes	D9/504
D28,842 S *	6/1898	Griffith	D9/500
674,143 A *	5/1901	Vogel	A61J 19/00 4/258
1,013,775 A *	1/1912	Hoffman	A47G 29/06 220/503

(Continued)

Primary Examiner — Susan Moon Lee
(74) *Attorney, Agent, or Firm* — Global IP Counselors, LLP

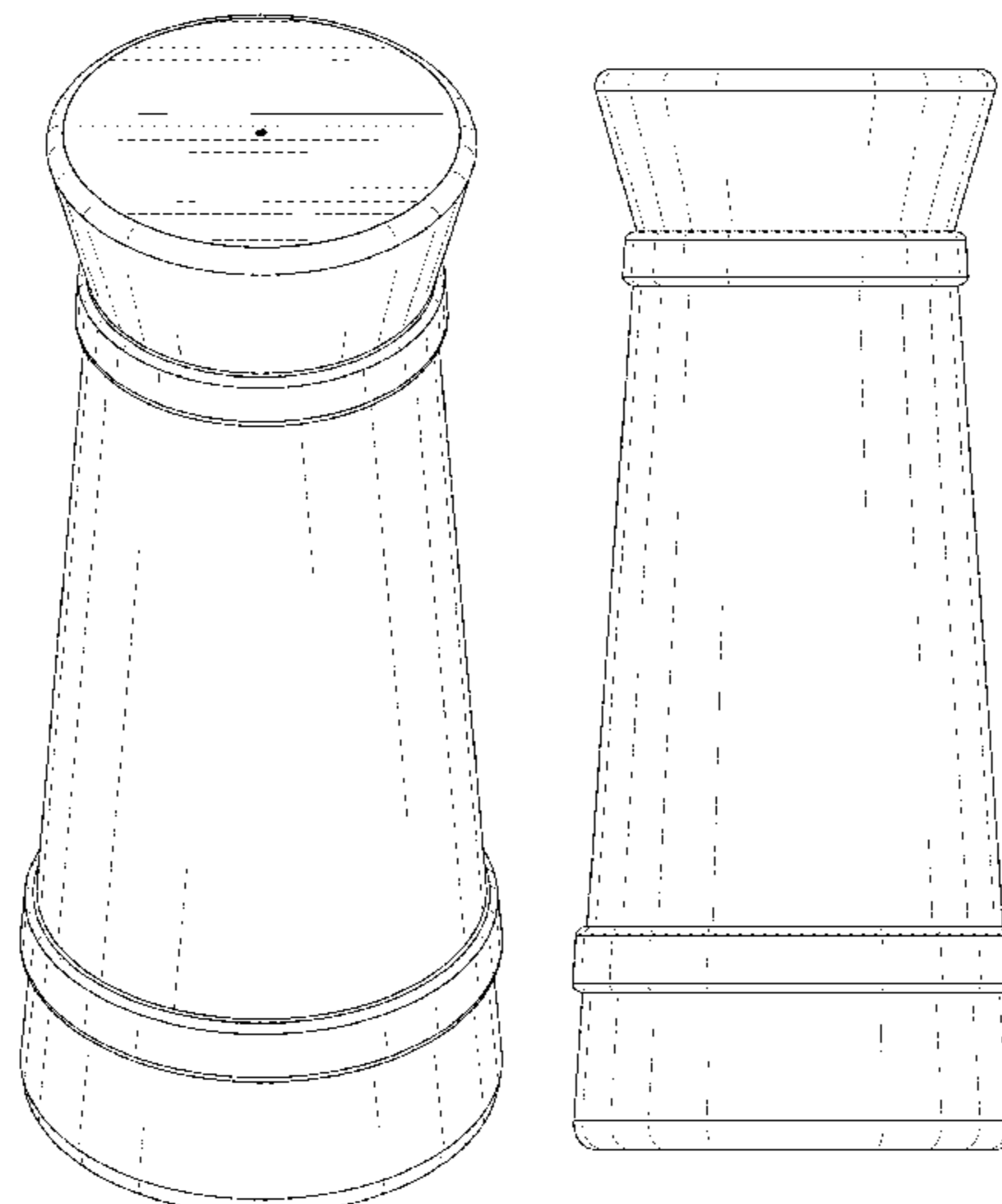
(57) **CLAIM**

The ornamental design for a pet toy marinator, as shown and described.

DESCRIPTION

FIG. 1 is a front, top, side perspective view of a pet toy marinator in accordance with my new design; FIG. 2 is a front elevation view thereof; FIG. 3 is a rear elevation view thereof; FIG. 4 is a left side elevation view thereof; FIG. 5 is a right side elevation view thereof; FIG. 6 is a top plan view thereof; and, FIG. 7 is a bottom plan view thereof.

1 Claim, 4 Drawing Sheets



(56)

References Cited

U.S. PATENT DOCUMENTS

- 1,245,013 A * 10/1917 Nowakowski A61J 19/00
4/283
D84,767 S * 7/1931 Tassie D7/300
1,832,806 A * 11/1931 Dawson B65D 1/0223
215/43
D98,763 S * 3/1936 Guild D7/300.1
D114,442 S * 4/1939 Dexter D28/88
D124,645 S * 1/1941 Palmer D9/777
D124,880 S * 1/1941 Teunisz 229/4.5
D136,174 S * 8/1943 Adams D7/596
D139,381 S * 11/1944 Harris D19/901
2,404,286 A * 7/1946 Graham A61G 9/02
134/104.4
D147,113 S * 7/1947 Cravaritis 220/568
D162,679 S * 3/1951 Munnecke D23/366
D175,254 S * 8/1955 Hansen D6/545
2,782,614 A * 2/1957 Currie B65D 25/20
220/718
D181,714 S * 12/1957 Du Pree et al. D7/317
2,824,208 A * 2/1958 Bauer F21V 33/00
219/473
D183,168 S * 7/1958 Herber D7/316
D188,137 S * 6/1960 Thompson, Jr. D9/502
D189,374 S * 11/1960 Harris D9/504
D189,393 S * 12/1960 Schlumbohm D23/356
D189,938 S * 3/1961 Heintze D9/741
2,982,458 A * 5/1961 Hennion B65D 3/02
229/117.23
2,990,076 A * 6/1961 Stull B65D 51/32
206/15.2
3,002,722 A * 10/1961 Cote B65D 71/007
206/499
D195,787 S * 7/1963 Thompson D9/522
3,130,877 A * 4/1964 Miller A45D 34/00
222/207
3,163,318 A * 12/1964 Frank B65D 83/40
220/780
D199,994 S * 1/1965 Knodt 222/196.1
D202,387 S * 9/1965 Wagner D23/225
3,257,025 A * 6/1966 Jolly B65D 81/3876
220/739
D205,248 S * 7/1966 Zona D9/504
D205,552 S * 8/1966 Meyers D9/529
D206,453 S * 12/1966 Phillips D7/317
D207,863 S * 6/1967 Knodt D7/316
D207,925 S * 6/1967 Koenigsberg D9/529
D210,571 S * 3/1968 Vanderhyde D9/538
D212,589 S * 11/1968 Roberts D7/597
3,415,376 A * 12/1968 Smith A47J 43/22
209/236
3,451,540 A * 6/1969 Kulischenko A61C 5/66
206/220
D218,147 S * 7/1970 Jordan D9/523
D223,437 S * 4/1972 Lurch D9/504
D223,691 S * 5/1972 Newman D28/76
3,677,524 A * 7/1972 Douglas A47J 43/27
215/13.1
D230,689 S * 3/1974 Schweitzer D7/300
D240,887 S * 8/1976 Daenen D7/316
D245,670 S * 9/1977 Clover, Jr. D24/224
4,054,205 A * 10/1977 Blow, Jr. B65D 25/20
206/217
D249,708 S * 9/1978 Smith 24/55
D251,950 S * 5/1979 McGowen D9/716
D252,796 S * 9/1979 Fortuna D9/549
D255,648 S * 7/1980 Bolter D9/716
D263,807 S * 4/1982 Kingsford D9/504
D267,461 S * 1/1983 Crisman D7/507
D271,215 S * 11/1983 Hinkle D19/66
D274,209 S * 6/1984 Kikuchi D7/608
D274,222 S * 6/1984 Markis D9/504
D282,152 S * 1/1986 Mendenhall D11/146
D284,451 S * 7/1986 Fortuna D9/443
D288,527 S * 3/1987 Maguire D9/431
- D299,954 S * 2/1989 Baxter D24/224
D300,107 S * 3/1989 Trombly D7/317
4,858,250 A * 8/1989 Lee A61J 19/00
4/258
D304,972 S * 12/1989 Baxter D24/224
D307,053 S * 4/1990 Muller D24/223
D307,238 S * 4/1990 May D9/538
D307,646 S * 5/1990 Kingsford D28/76
D309,553 S * 7/1990 Daenen D7/591
D313,098 S * 12/1990 Boyd D34/2
5,078,695 A * 1/1992 Farrar, Jr. A61M 5/3213
128/919
5,219,339 A * 6/1993 Saito A61M 25/0631
604/177
D344,212 S * 2/1994 Morgan D7/608
D359,654 S * 6/1995 Westgerdes D7/510
D368,629 S * 4/1996 Verbovszky D7/608
D371,195 S * 6/1996 Krebs D24/112
D373,084 S * 8/1996 Choi D9/504
D375,655 S * 11/1996 King D7/510
D376,979 S * 12/1996 Davidson, III D9/504
5,597,096 A * 1/1997 Jeppesen B65D 43/0212
215/317
5,632,490 A * 5/1997 Brown A63F 7/048
273/138.3
D380,351 S * 7/1997 Jeppesen D7/597
5,865,147 A * 2/1999 Rubin A01K 5/0114
119/711
D409,051 S * 5/1999 Huang D7/598
5,913,964 A * 6/1999 Melton A47G 19/16
99/279
D415,319 S * 10/1999 Bakic D28/76
D418,358 S * 1/2000 Huang D7/300
D418,917 S * 1/2000 Duchon D24/113
D419,719 S * 1/2000 Garcia D28/7
D419,868 S * 2/2000 DeVore D9/716
D426,789 S * 6/2000 Joergensen D11/149
D427,691 S * 7/2000 Asselta D24/224
D438,116 S * 2/2001 Nosella D9/500
D445,337 S * 7/2001 Croft D9/450
D450,223 S * 11/2001 J.o slashed.rgensen D7/608
D456,265 S * 4/2002 Spear D9/502
D458,081 S * 6/2002 Bodum D7/316
D462,615 S * 9/2002 Weil D9/428
6,472,007 B2 * 10/2002 Bezek B65D 1/165
206/497
D471,458 S * 3/2003 Booth D9/504
D471,767 S * 3/2003 Ucar Cortes D7/598
D472,107 S * 3/2003 Short D7/608
D472,147 S * 3/2003 Herrmann D9/504
D472,148 S * 3/2003 Dowd D9/504
6,539,991 B1 * 4/2003 Ackerman B44D 3/128
141/311 A
D480,272 S * 10/2003 Yang D7/598
D481,949 S * 11/2003 Pinnavaia D9/500
D487,594 S * 3/2004 Alscher D24/224
D493,338 S * 7/2004 Scott D7/682
D495,186 S * 8/2004 Poupel D7/300.1
6,817,351 B2 * 11/2004 Keller F41B 3/04
124/6
D499,336 S * 12/2004 Flecheux D9/500
D505,074 S * 5/2005 Bakic D9/504
D519,040 S * 4/2006 Bertulis D10/46.2
D526,901 S * 8/2006 Ruiz D9/503
D528,920 S * 9/2006 Priestman D28/76
D530,968 S * 10/2006 Bodum D7/300.1
D535,563 S * 1/2007 Martin D9/500
7,175,069 B1 * 2/2007 Tsengas A01K 5/0114
119/51.01
D538,474 S * 3/2007 Sheppard D28/7
7,217,434 B1 * 5/2007 Loh B65D 81/3205
206/217
D544,754 S * 6/2007 Lion D7/598
D546,697 S * 7/2007 Schnipper D9/529
D548,508 S * 8/2007 Tonelli D7/316
D548,601 S * 8/2007 Mongeon D9/435
D554,505 S * 11/2007 Gilbert D9/503
D555,416 S * 11/2007 Bodum D7/316

(56)

References Cited

U.S. PATENT DOCUMENTS

D566,559	S *	4/2008	Swint	D9/504	D683,184	S *	5/2013	Lin	D7/316
D567,089	S *	4/2008	Glydon	D9/504	D684,274	S *	6/2013	Hosoya	D24/224
D567,091	S *	4/2008	Glydon	D9/447	D684,312	S *	6/2013	Badawi	D27/162
D568,155	S *	5/2008	Glydon	D9/500	D685,638	S *	7/2013	Demarco	D4/116
D571,153	S *	6/2008	Lopez	D7/510	D686,186	S *	7/2013	Kaneko	D14/168
D574,072	S *	7/2008	Carlson	D23/364	D689,664	S *	9/2013	Dietvorst	D32/75
D574,190	S *	8/2008	Homma	D7/510	D691,889	S *	10/2013	Mettler	D9/454
D582,215	S *	12/2008	Yang	D7/598	8,544,684	B2 *	10/2013	Perez	G01F 13/00 222/39
D582,278	S *	12/2008	Bourne	D9/504	D693,628	S *	11/2013	Tavenner	D7/392.1
D582,534	S *	12/2008	Conway	D11/152	D694,057	S *	11/2013	Shoshan	D7/354
D583,240	S *	12/2008	Bourne	D9/500	8,590,730	B2 *	11/2013	Buck	B65D 21/0237 220/23.83
D585,706	S *	2/2009	Cooper	D7/612	D695,138	S *	12/2013	Ball	D9/435
D593,365	S *	6/2009	Miller	D7/510	D697,205	S *	1/2014	Schneider	D24/113
D596,744	S *	7/2009	Hull, Jr.	D24/133	D698,250	S *	1/2014	Wade	D9/435
D598,234	S *	8/2009	Bodum	D7/317	D698,251	S *	1/2014	Wade	D9/435
D603,708	S *	11/2009	Handy	D9/435	D698,265	S *	1/2014	Flynn	D9/734
D604,277	S *	11/2009	Benedetti	D14/230	D702,086	S *	4/2014	Thurlow	D7/510
D605,945	S *	12/2009	Macaulay	D9/529	D703,054	S *	4/2014	DeMarco	D9/454
D609,536	S *	2/2010	Tang	D7/679	D708,317	S *	7/2014	Schneider	D24/113
D609,571	S *	2/2010	Butler	D9/504	D710,743	S *	8/2014	Bartter	D11/146
D611,814	S *	3/2010	Marotti	D9/454	D710,744	S *	8/2014	Bartter	D11/146
D612,487	S *	3/2010	Hunter	D24/114	D711,180	S *	8/2014	Villa	D7/300.1
D613,399	S *	4/2010	Hunter	D24/130	D712,267	S *	9/2014	Handy	D9/500
D613,400	S *	4/2010	Hunter	D24/130	D713,195	S *	9/2014	Hu	D7/354
D613,401	S *	4/2010	Hunter	D24/130	D714,162	S *	9/2014	Kang	D9/504
D613,861	S *	4/2010	Hunter	D24/130	D714,932	S *	10/2014	Hall	D24/112
D614,032	S *	4/2010	Handy	D9/503	D716,660	S *	11/2014	Quinones	D9/449
D614,033	S *	4/2010	Hassamanci	D9/504	D717,115	S *	11/2014	Lane	D7/511
D615,352	S *	5/2010	Alviar	D7/396.2	D717,610	S *	11/2014	Lin	D7/608
D616,261	S *	5/2010	Lundstrom	D7/679	D717,664	S *	11/2014	Van Handel	D9/682
D616,262	S *	5/2010	Lundstrom	D7/679	D718,581	S *	12/2014	Exley	D7/695
D620,742	S *	8/2010	Lion	D7/300	D719,448	S *	12/2014	Pires	D9/504
D620,800	S *	8/2010	Thielman	D9/504	D719,706	S *	12/2014	Hamill	D30/160
D621,648	S *	8/2010	Lown	D7/300.1	D720,462	S *	12/2014	Lura	D24/185
D621,949	S *	8/2010	Seki	D24/107	D720,574	S *	1/2015	Boroski	D7/510
D622,547	S *	8/2010	Carreno	D7/510	D720,962	S *	1/2015	Coon	D7/510
D624,363	S *	9/2010	Alviar	D7/396.2	D721,966	S *	2/2015	Mathiez	D9/504
D629,252	S *	12/2010	Alviar	D7/510	D723,922	S *	3/2015	Albuquerque	D9/500
D632,525	S *	2/2011	George	D7/396.2	D725,425	S *	3/2015	Wittke	D7/317
D635,403	S *	4/2011	Conway	D11/152	D725,427	S *	3/2015	Wittke	D7/321
D635,653	S *	4/2011	Conway	D11/152	D725,955	S *	4/2015	Wittke	D7/321
D639,166	S *	6/2011	Carreno	D9/504	D728,297	S *	5/2015	Melzer	D7/300.1
D639,660	S *	6/2011	Carreno	D9/449	D728,316	S *	5/2015	Breit	D7/598
D639,662	S *	6/2011	Riguzzi	D9/504	D729,584	S *	5/2015	Weston	D7/510
D640,084	S *	6/2011	Sheppard	D7/316	D729,585	S *	5/2015	Boroski	D7/511
D640,091	S *	6/2011	Sheppard	D7/316	D732,964	S *	6/2015	Dyer	D7/392.1
D641,255	S *	7/2011	Williams	D9/719	D733,382	S *	6/2015	Bos	D32/75
D642,852	S *	8/2011	Sheppard	D7/316	D735,323	S *	7/2015	Burke	D24/119
D646,920	S *	10/2011	Sheppard	D7/316	D737,432	S *	8/2015	Burke	D24/119
D646,932	S *	10/2011	Melms, Jr.	D7/598	D741,655	S *	10/2015	Whelan	D7/300.1
D651,518	S *	1/2012	Padain	D9/435	D742,506	S *	11/2015	Burke	D24/119
D652,682	S *	1/2012	Eyal	D7/510	D743,257	S *	11/2015	Van Handel	D9/447
D653,112	S *	1/2012	White	D9/529	D744,781	S *	12/2015	Rummel	D7/511
D653,989	S *	2/2012	Falduto	D11/146	D744,845	S *	12/2015	O'Donahue	D9/542
D654,795	S *	2/2012	Handy	D9/503	D745,407	S *	12/2015	O'Donahue	D9/530
D655,134	S *	3/2012	Gilbert	D7/510	D746,691	S *	1/2016	Uchida	D9/504
D656,840	S *	4/2012	Tacconi	D9/443	D748,813	S *	2/2016	Ishiguro	D24/224
D660,655	S *	5/2012	Wahl	D7/608	D751,331	S *	3/2016	Rashid	D7/316
D661,939	S *	6/2012	Kern	D7/316	D751,404	S *	3/2016	Li	D9/500
D662,237	S *	6/2012	Baraky	D26/22	D752,982	S *	4/2016	Sawicki	D24/119
D662,422	S *	6/2012	Avakian	D9/435	D757,255	S *	5/2016	Wohlfahrt	D24/113
D665,136	S *	8/2012	Day	D30/160	D760,027	S *	6/2016	Meyers	D7/510
D666,101	S *	8/2012	Handy	D9/503	D760,912	S *	7/2016	Sedic	D24/209
D668,509	S *	10/2012	Beugelsdijk	D7/400	D761,624	S *	7/2016	McLean	D7/507
D671,786	S *	12/2012	Lin	D7/300.1	D762,476	S *	8/2016	Velmer	D9/445
D671,787	S *	12/2012	Lin	D7/300.1	D764,301	S *	8/2016	House	D9/559
D673,452	S *	1/2013	Handy	D9/500	D764,923	S *	8/2016	House	D9/559
D675,485	S *	2/2013	Frank	D7/629	D766,652	S *	9/2016	Joseph	D7/392.1
D676,280	S *	2/2013	Wong	D7/510	D770,100	S *	10/2016	Burroughs	D30/121
D677,382	S *	3/2013	Foley	D24/114	9,462,904	B2 *	10/2016	Coon	A45F 3/18
D678,514	S *	3/2013	Foley	D24/114	D773,648	S *	12/2016	Wohlfahrt	D24/113
8,387,566	B2 *	3/2013	Graves	A01K 7/005 119/51.01	D777,296	S *	1/2017	Huang	D23/225
D679,411	S *	4/2013	Hosoya	D24/224	D777,309	S *	1/2017	Skoda	D23/362
D682,605	S *	5/2013	Krus	D7/376	D777,577	S *	1/2017	Kim	D9/449
					D777,912	S *	1/2017	Wohlfahrt	D24/130
					D779,272	S *	2/2017	Lee	D7/510
					D779,277	S *	2/2017	Muller	D7/589

(56)

References Cited

U.S. PATENT DOCUMENTS

D781,524 S * 3/2017 Bhandula D99/5
 D782,125 S * 3/2017 Tseng D30/121
 D783,581 S * 4/2017 Kim D14/240
 D783,816 S * 4/2017 Wohlfahrt D24/130
 D784,814 S * 4/2017 Rodriguez D9/500
 D786,079 S * 5/2017 Ibanez D9/529
 D786,080 S * 5/2017 Ibanez D9/529
 D786,679 S * 5/2017 Barroso Miana D9/504
 D786,684 S * 5/2017 McGreevy D9/449
 D788,897 S * 6/2017 Lee D23/356
 D789,134 S * 6/2017 Lin D7/316
 D789,528 S * 6/2017 Wohlfahrt D24/130
 D793,547 S * 8/2017 Burkett D24/112
 2006/0086755 A1* 4/2006 Roth B65D 21/0204
 222/129
 2006/0086756 A1* 4/2006 Roth B65D 21/0204
 222/129
 2008/0101850 A1* 5/2008 Wojcik A45D 34/04
 401/265
 2008/0115732 A1* 5/2008 Stenberg A01K 7/02
 119/74
 2008/0228147 A1* 9/2008 David-Hegerich ... A61M 5/326
 604/198
 2008/0269692 A1* 10/2008 James A61M 5/3202
 604/198
 2010/0005977 A1* 1/2010 Menashes A47J 43/06
 99/510
 2010/0083904 A1* 4/2010 Pu A01K 15/025
 119/51.03
 2010/0200602 A1* 8/2010 Chan A47G 19/2272
 220/714

2010/0263549 A1* 10/2010 Lee A47J 31/18
 99/319
 2011/0198352 A1* 8/2011 Lown A47G 19/12
 220/254.8
 2012/0210885 A1* 8/2012 Kay A23P 20/25
 99/494
 2012/0292283 A1* 11/2012 Kornbrust B65D 41/26
 215/228
 2012/0298045 A1* 11/2012 Wechsler A01K 7/00
 119/52.1
 2012/0298049 A1* 11/2012 Cook A01K 15/025
 119/707
 2013/0228486 A1* 9/2013 Buck B65D 21/0238
 206/459.1
 2013/0274668 A1* 10/2013 Barrow-Williams A61M 5/2033
 604/136
 2013/0320029 A1* 12/2013 Yourist B65D 15/18
 220/646
 2014/0048017 A1* 2/2014 Mainini A01K 5/00
 119/51.01
 2014/0060337 A1* 3/2014 Varnum A47J 31/38
 99/297
 2014/0147559 A1* 5/2014 Aidan B65D 23/12
 426/115
 2014/0151390 A1* 6/2014 Kohler A47G 19/12
 220/825
 2014/0217056 A1* 8/2014 Parekh A45F 3/16
 215/228
 2014/0221943 A1* 8/2014 Carrara A61K 9/0014
 604/310
 2014/0361011 A1* 12/2014 Dyer B65D 47/20
 220/253
 2015/0374151 A1* 12/2015 Lin A47G 19/127
 222/545

* cited by examiner

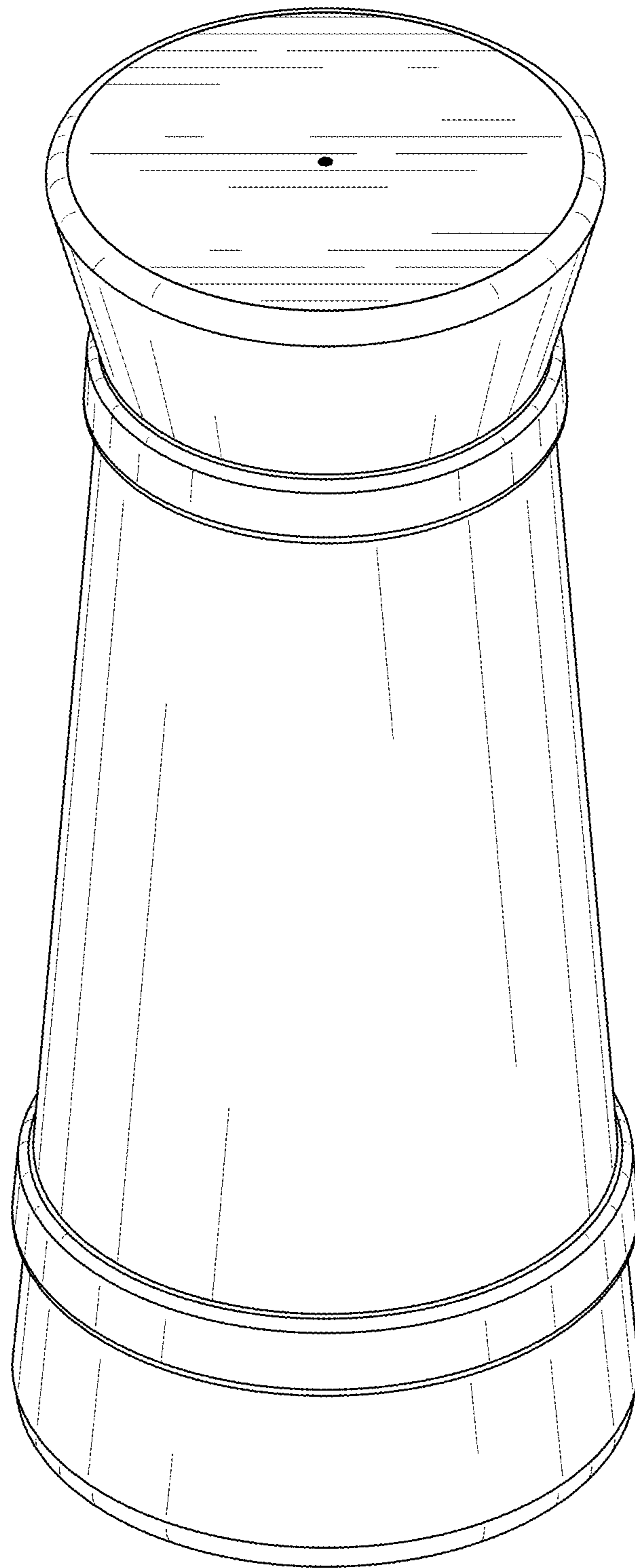


FIG. 1

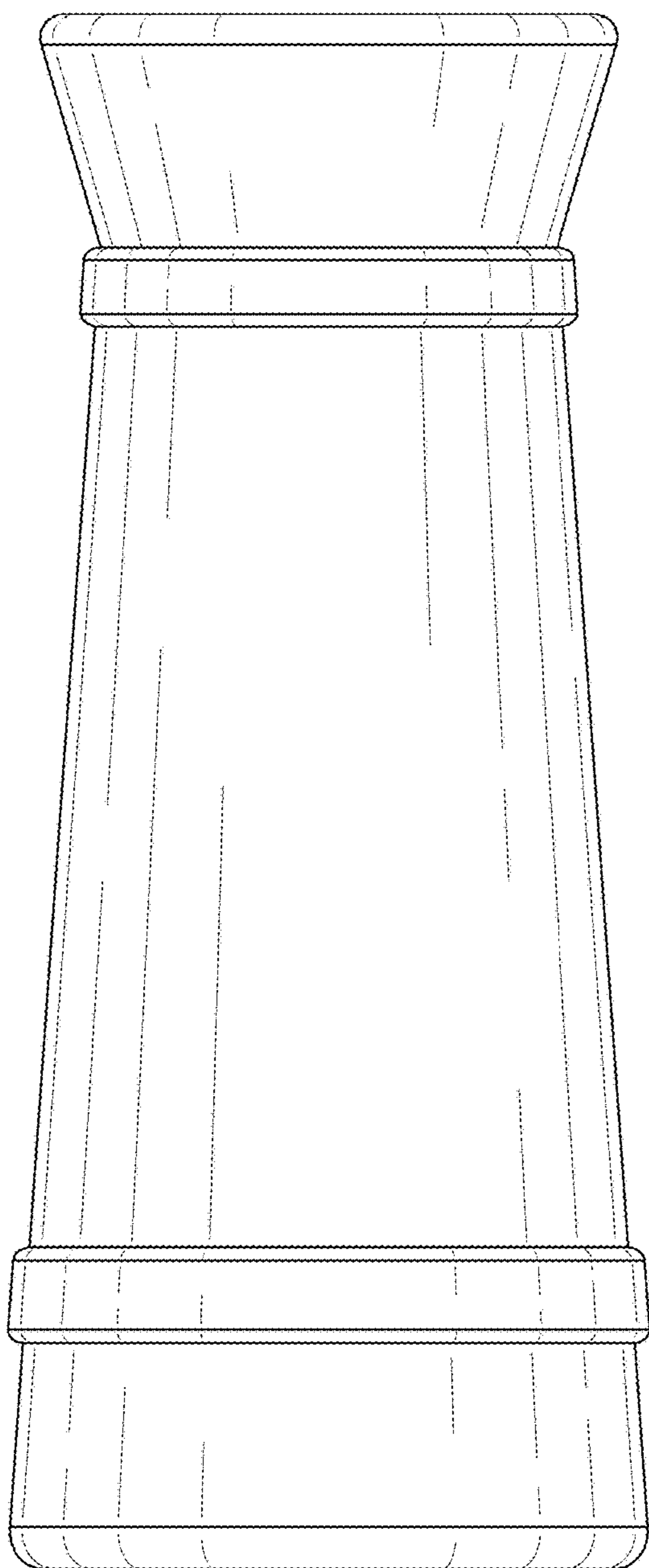


FIG. 2

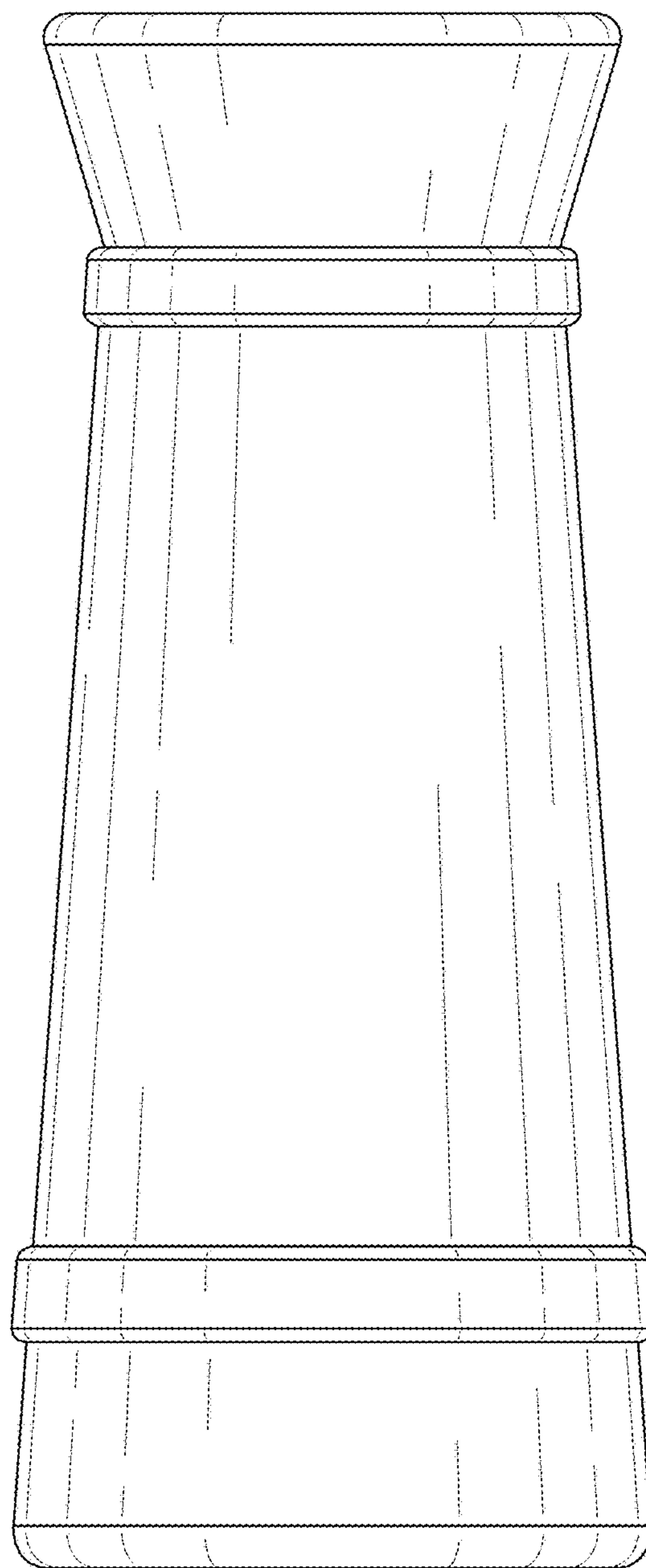


FIG. 3

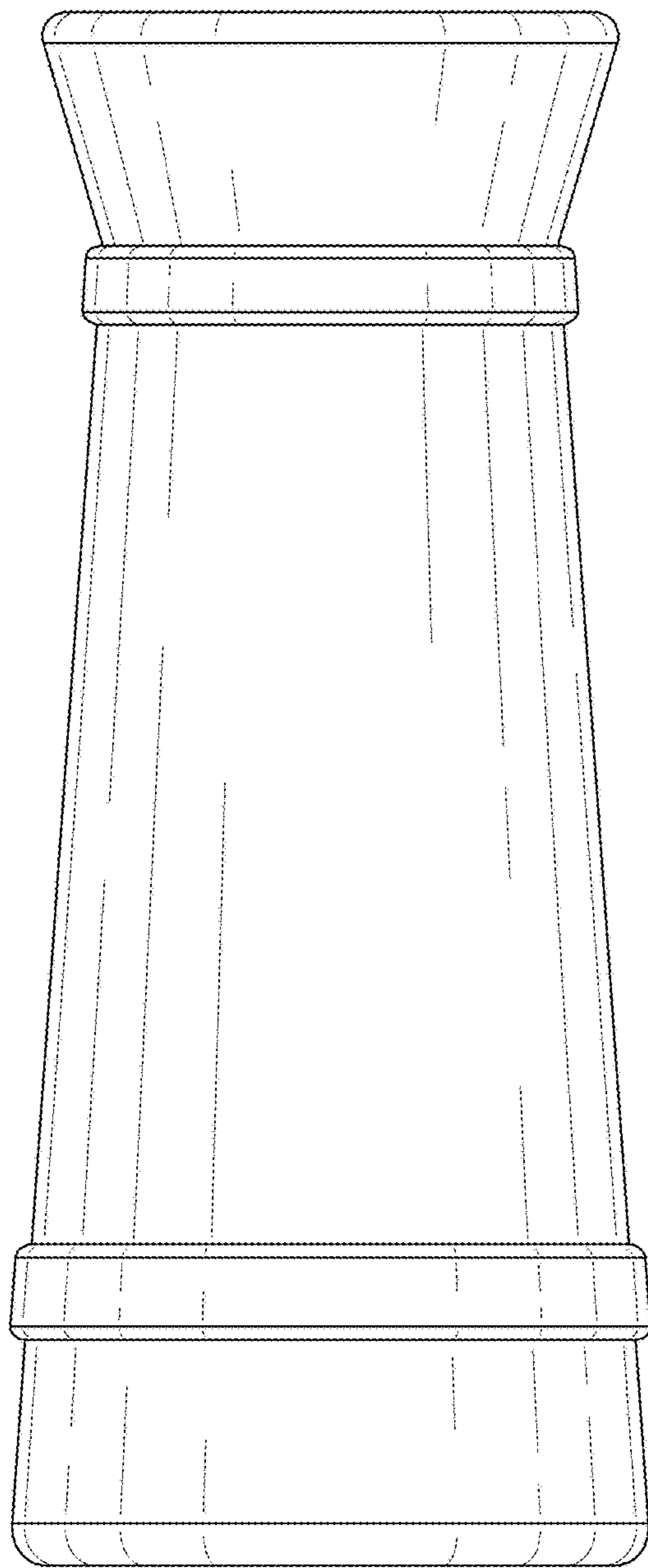


FIG. 4

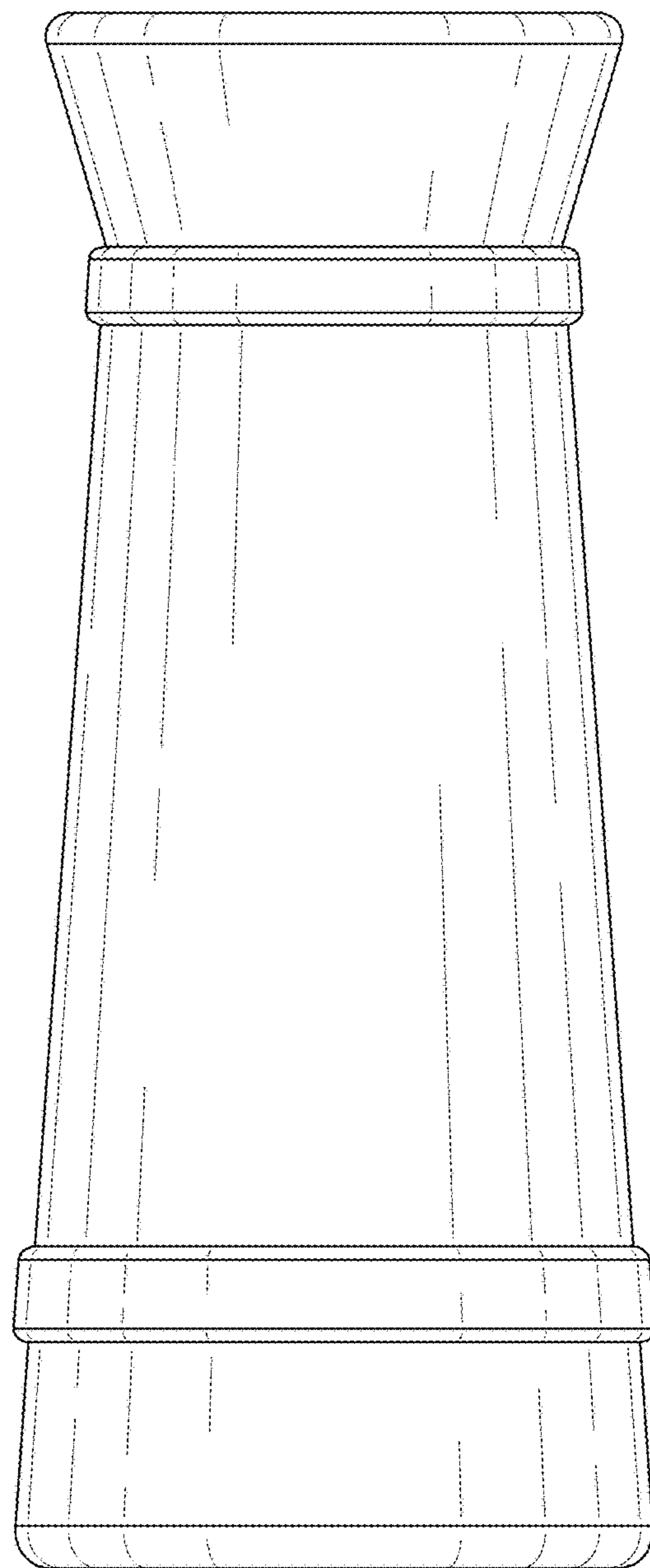


FIG. 5

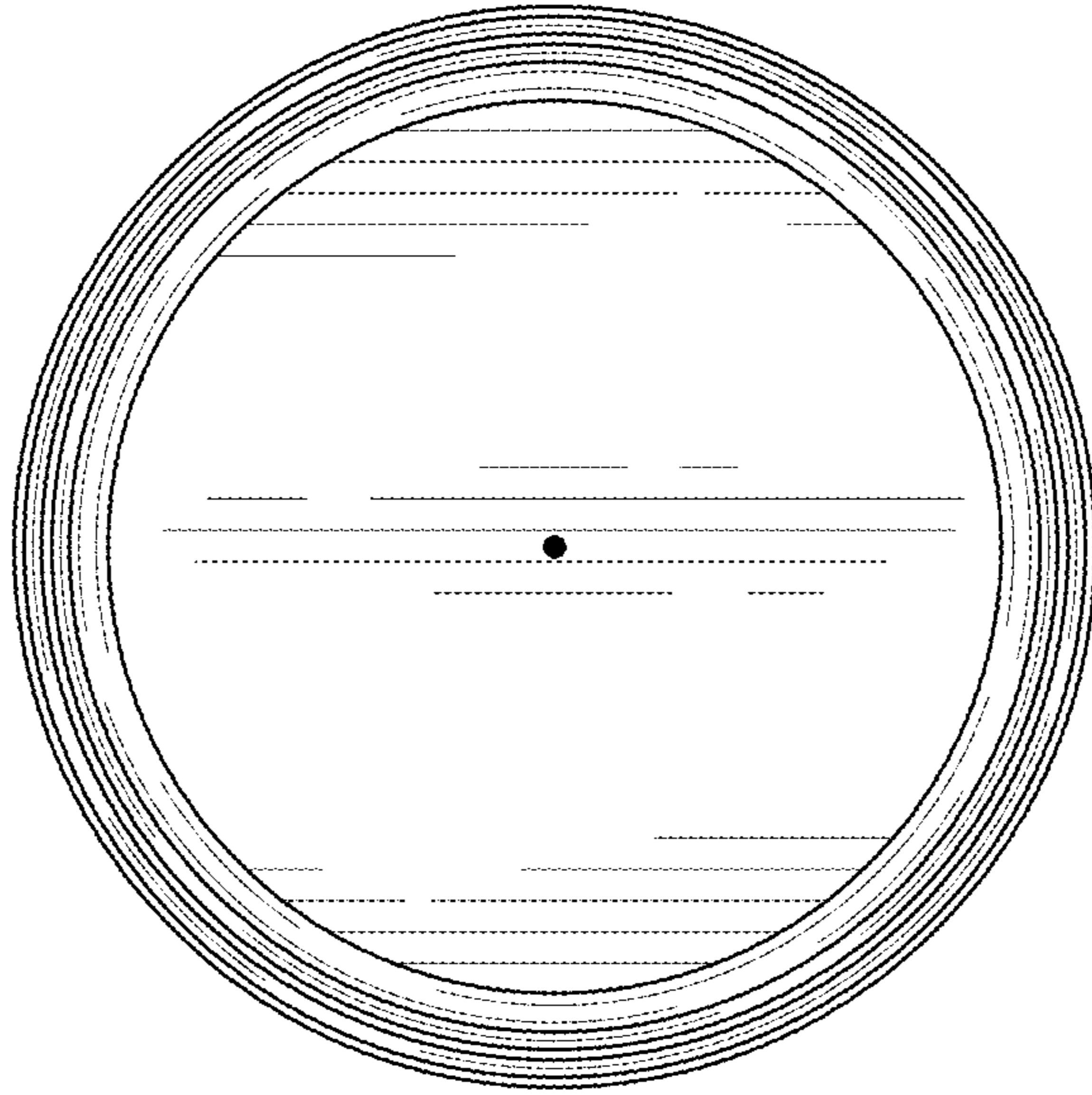


FIG. 6

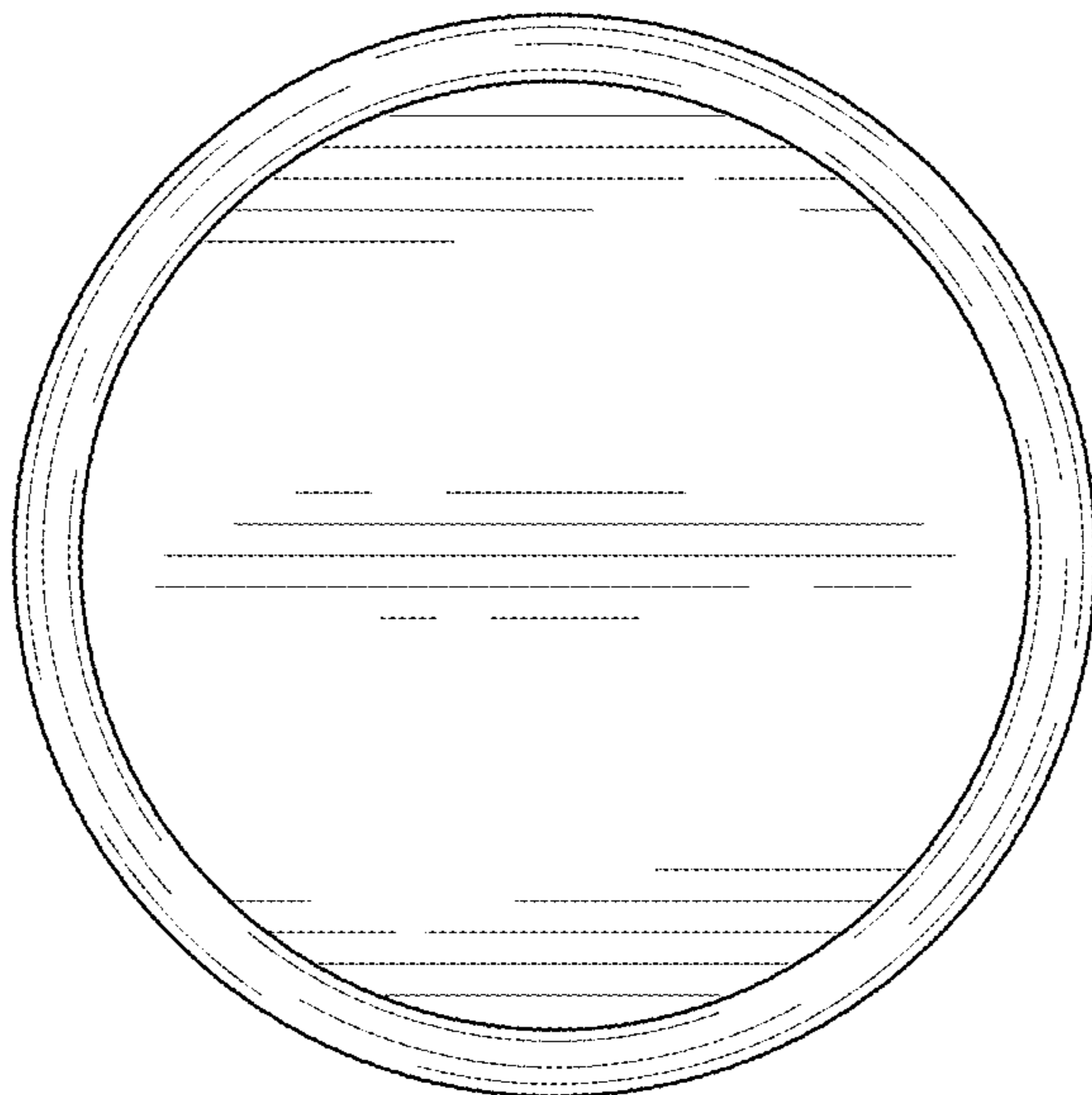


FIG. 7