



US00D807593S

(12) **United States Design Patent**
Floyd et al.

(10) **Patent No.:** **US D807,593 S**
(45) **Date of Patent:** **** Jan. 9, 2018**

(54) **CAT SCRATCHER**
(71) Applicant: **Worldwise, Inc.**, Novato, CA (US)
(72) Inventors: **Charles Floyd**, Oakland, CA (US);
Michael Rizzo, Napa, CA (US); **Aimee Diskin**, Napa, CA (US); **Hannah Rosenberg**, San Francisco, CA (US)

D635,307 S * 3/2011 Harmon D30/160
D661,849 S * 6/2012 Soto D30/160
8,327,806 B2 * 12/2012 Haaf A01K 15/024
119/706
8,336,501 B2 * 12/2012 Haaf A01K 15/025
119/621
D693,526 S * 11/2013 Harmon D30/160
D723,752 S * 3/2015 Davis-David et al. D30/160
D774,709 S * 12/2016 Kellogg D30/160

(73) Assignee: **Worldwise, Inc.**, Novato, CA (US)

* cited by examiner

(**) Term: **15 Years**

Primary Examiner — Cathy Anne MacCormac

(21) Appl. No.: **29/560,569**

(74) *Attorney, Agent, or Firm* — Bay Area Technology Law Group PC

(22) Filed: **Apr. 7, 2016**

(57) **CLAIM**

Related U.S. Application Data

The ornamental design for a cat scratcher, as shown and described.

(63) Continuation of application No. 14/686,213, filed on Apr. 14, 2015.

(51) **LOC (11) Cl.** **30-99**

DESCRIPTION

(52) **U.S. Cl.**
USPC **D30/160**

(58) **Field of Classification Search**
USPC D30/160; D24/133, 215
CPC .. A01K 15/024; A01K 15/025; A01K 15/026;
A01K 15/027
See application file for complete search history.

FIG. 1 is a perspective view of a cat scratcher showing our new design;
FIG. 2 is a front view of FIG. 1;
FIG. 3 is a back plan view of FIG. 1;
FIG. 4 is a right side view of FIG. 1;
FIG. 5 is a left side view of FIG. 1;
FIG. 6 is a top view of FIG. 1; and,
FIG. 7 is a bottom view of FIG. 1.

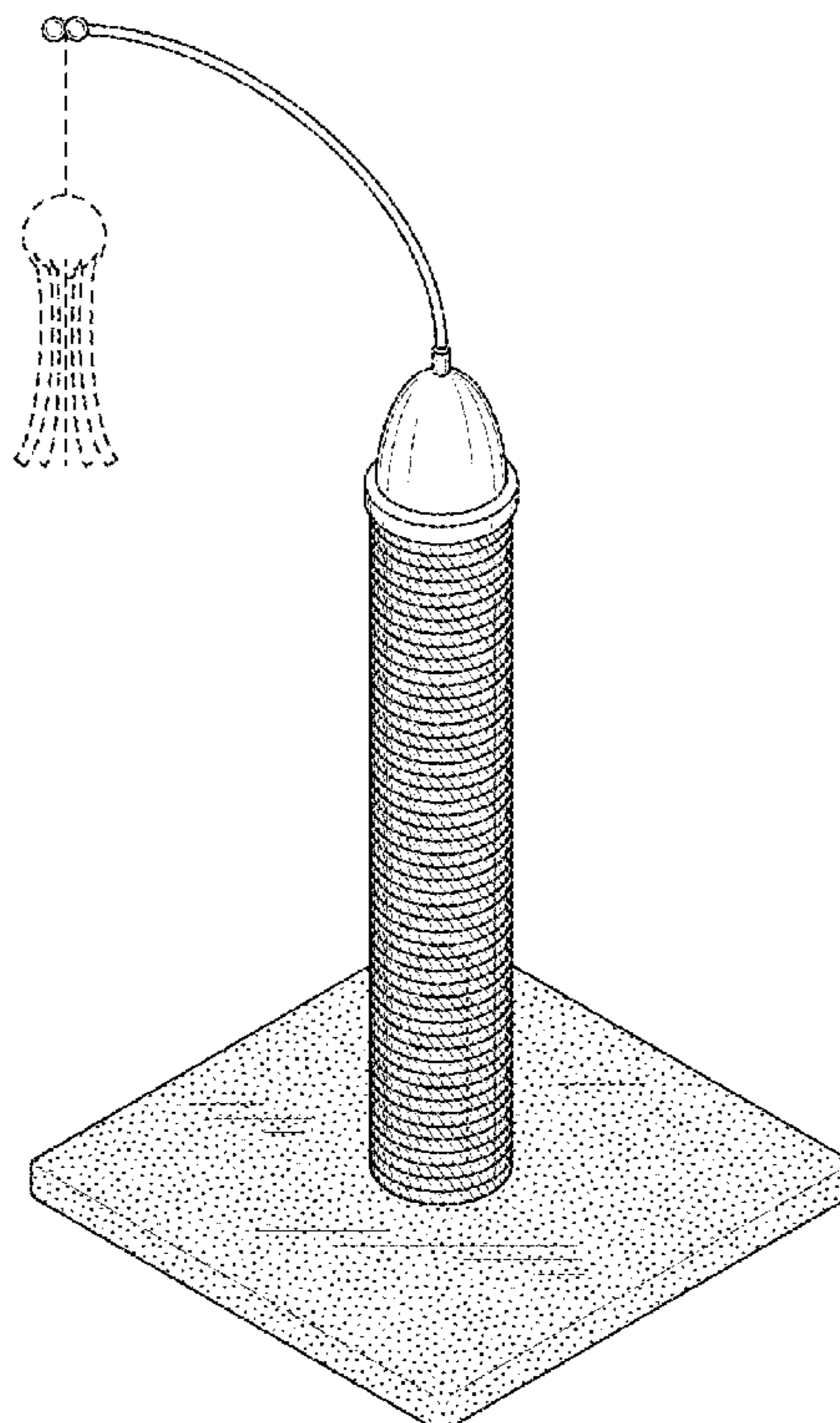
The broken lines depict environmental subject matter and form no part of the claimed design.

(56) **References Cited**

U.S. PATENT DOCUMENTS

D406,678 S * 3/1999 Rittenhouse D30/108
D614,364 S * 4/2010 Kellogg et al. D30/160

1 Claim, 4 Drawing Sheets



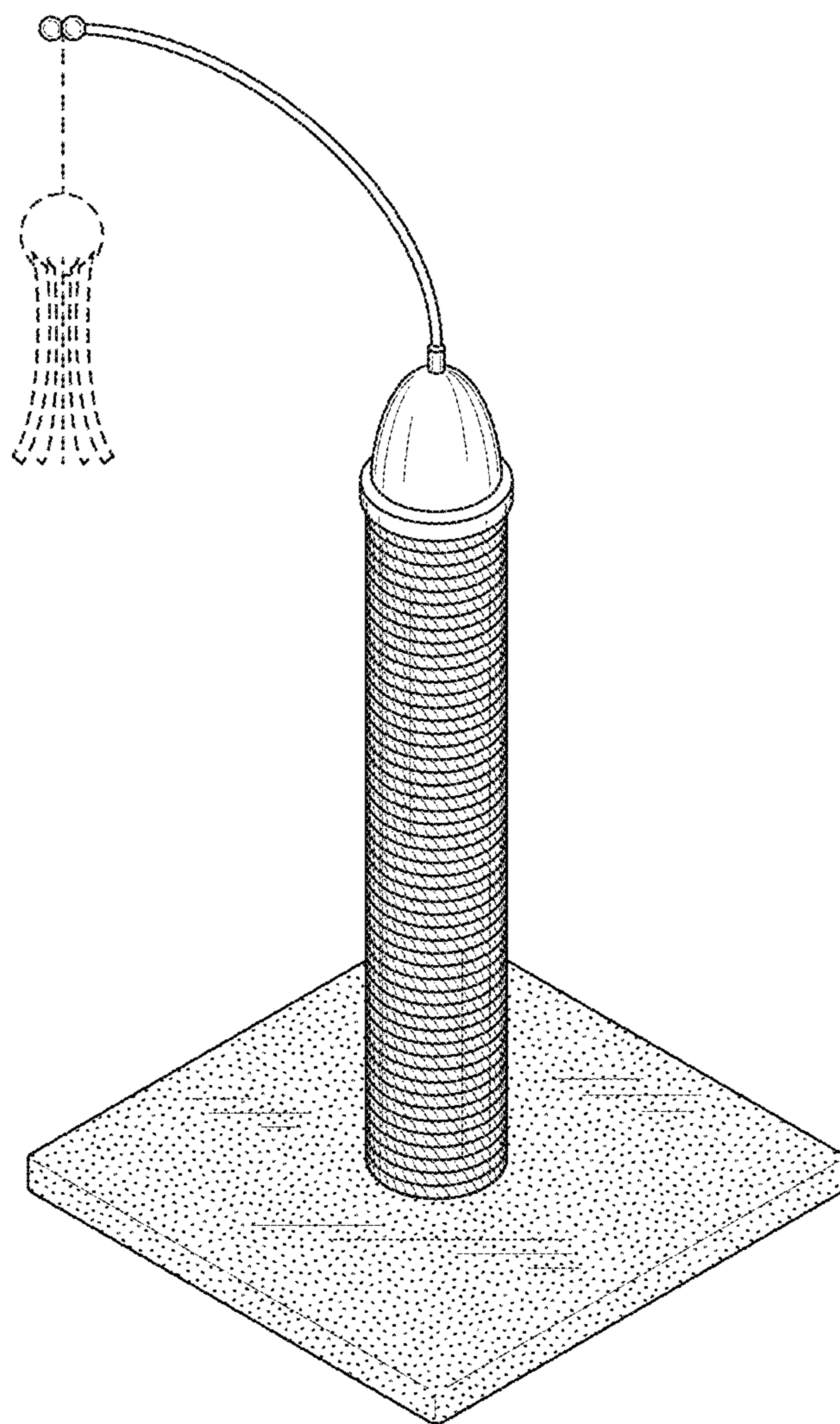


FIG. 1

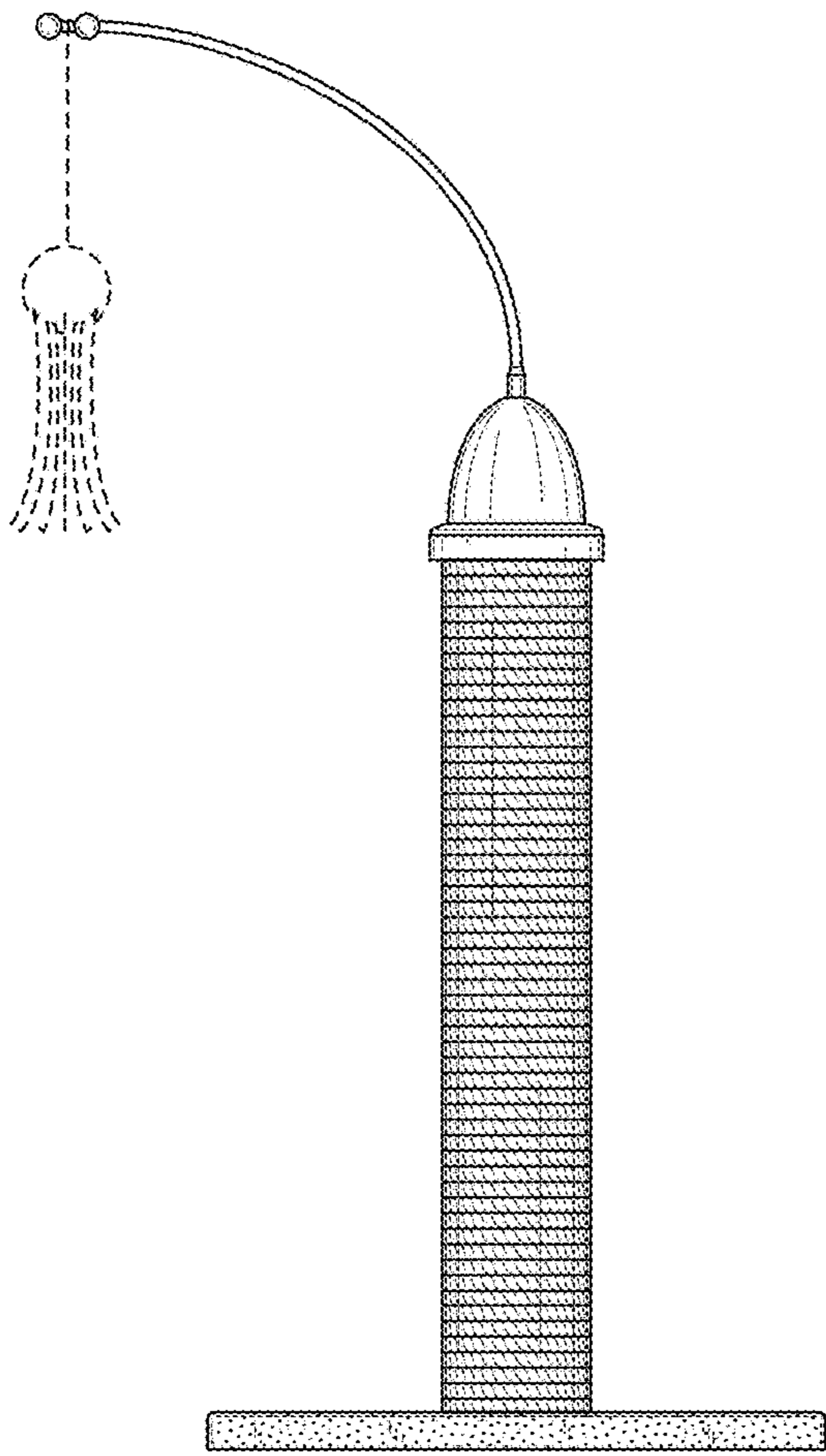


FIG. 2

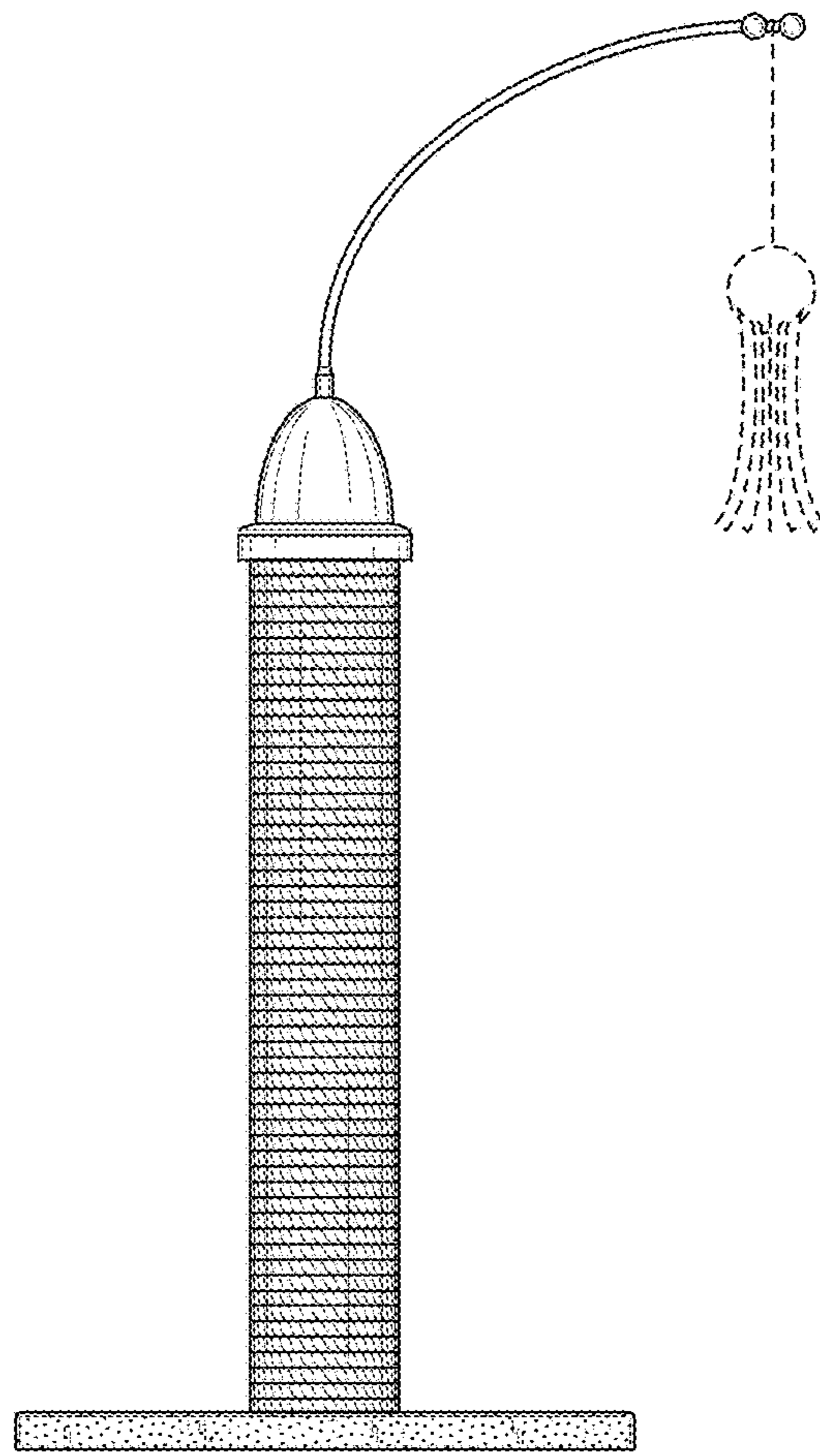


FIG. 3

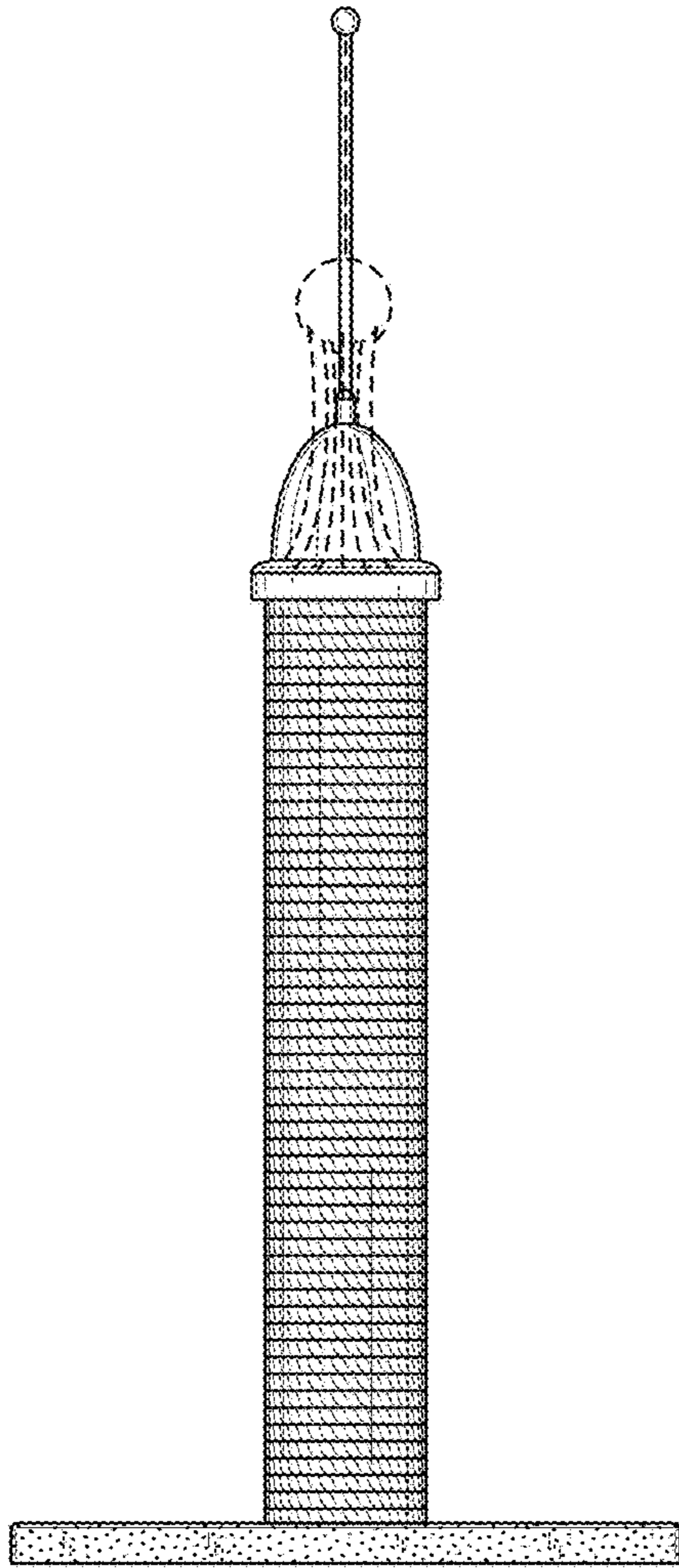


FIG. 4

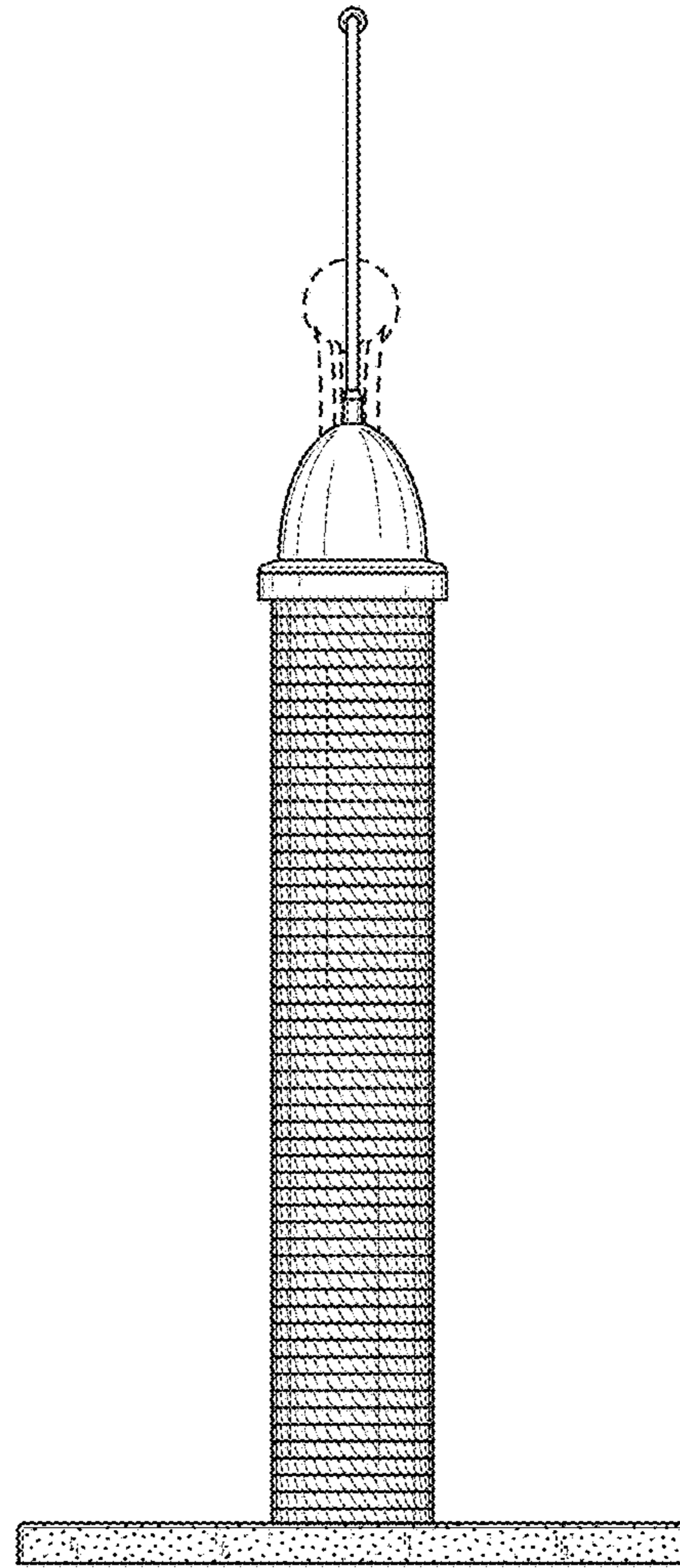


FIG. 5

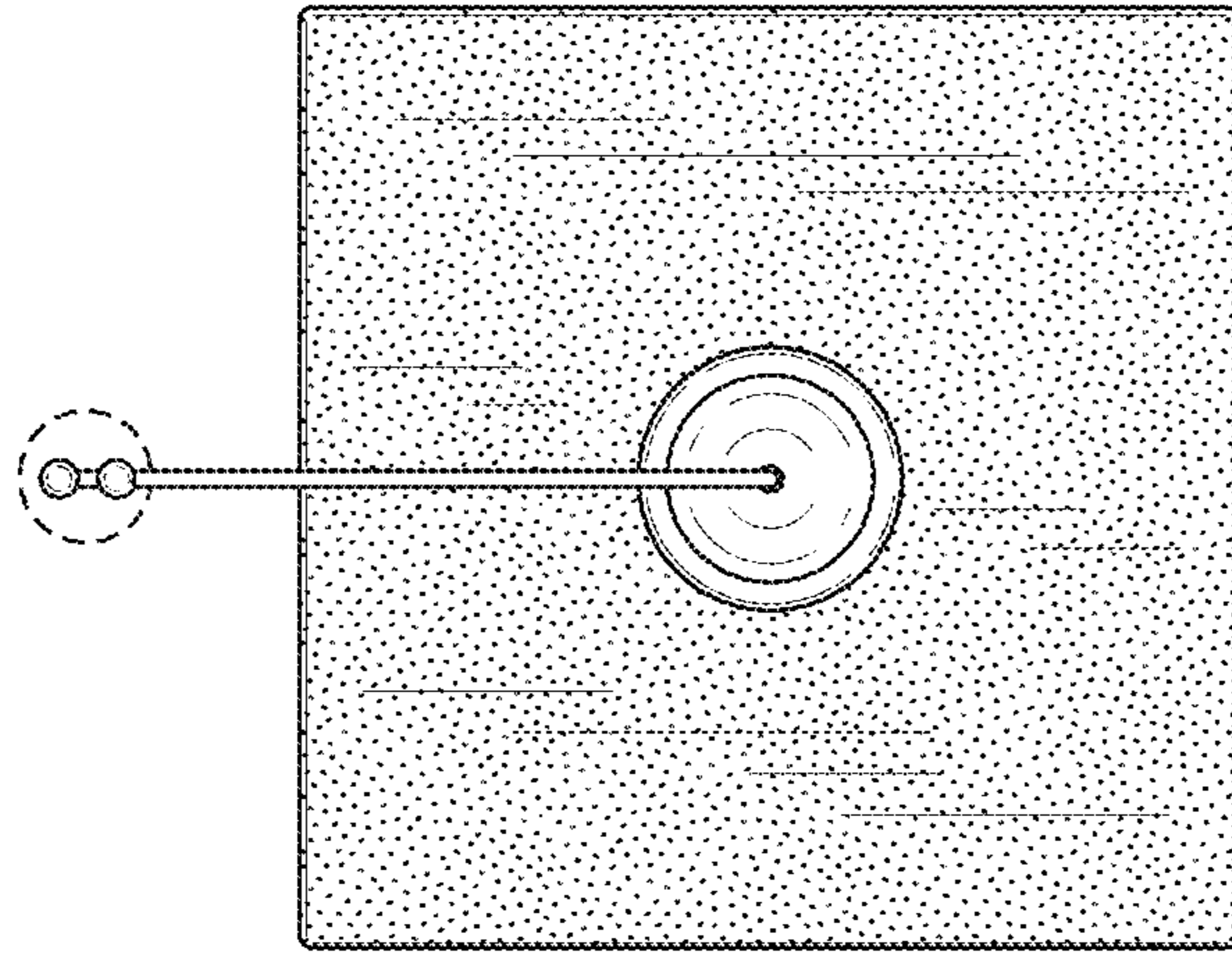


FIG. 6

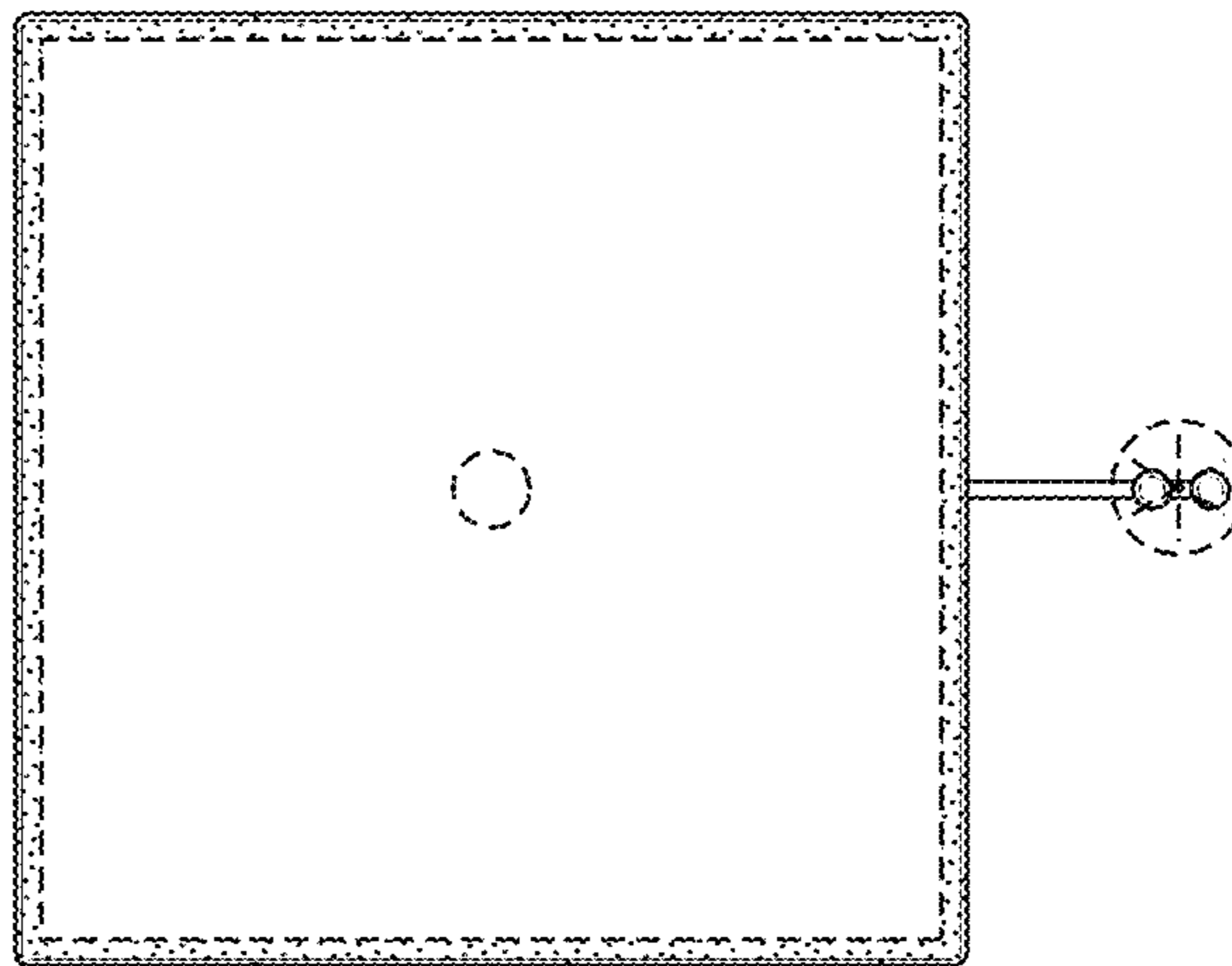


FIG. 7