



US00D807589S

(12) **United States Design Patent** (10) **Patent No.:** **US D807,589 S**  
**Penn** (45) **Date of Patent:** **\*\* Jan. 9, 2018**

(54) **PET BOWL**

(71) Applicant: **Gated Distribution, Inc.**, Long Beach, CA (US)

(72) Inventor: **Daniel J. Penn**, Long Beach, CA (US)

(73) Assignees: **Daniel J. Penn**, Long Beach, CA (US);  
**Tanya S. Penn**, Long Beach, CA (US)

(\*\*) Term: **14 Years**

(21) Appl. No.: **29/491,130**

(22) Filed: **May 16, 2014**

(51) **LOC (11) Cl.** ..... **30-03**

(52) **U.S. Cl.**  
USPC ..... **D30/129**

(58) **Field of Classification Search**

USPC .... D30/121, 122, 129-133; 119/61.5, 51.01, 119/61.56, 51.03, 59, 62, 63, 51.5, 57.8, 119/74, 61.54, 61.55; 312/204, 234, 290; 248/151, 188; 108/156, 153.1-157; 220/23.87, 630, 737, 743, 9.4, 495.01, 220/574, 212, 255, 23.83, 606, 657, 8, 6, 220/4.28, 4.29, 4.31, 4.32, 9.1-9.3, 656, 220/665; 206/515, 514, 503-509, 524.3, 206/557, 563, 566, 567, 424, 771; D7/586, 543, 550.1, 587, 505, 584, 545, D7/500, 553.1-553.8, 546, 555, 556, 504, D7/565, 562, 602, 676, 544, 548, 675, D7/554.2, 551.1, 672, 677, 560; D9/429, D9/425, 603, 432, 433, 414, 419, 424, D9/423, 431, 418, 416, 760, 761, 632; 43/109; D22/122; 99/430, DIG. 15;

(Continued)

(56) **References Cited**

U.S. PATENT DOCUMENTS

147,548 A \* 2/1874 Beecher ..... B65D 5/62  
229/182  
170,991 A \* 12/1875 Conover ..... B65D 5/241  
229/186

(Continued)

Primary Examiner — Susan Moon Lee

(74) Attorney, Agent, or Firm — Brinks Gilson & Lione

(57) **CLAIM**

I claim the ornamental design for a pet bowl, as shown and described.

**DESCRIPTION**

FIG. 1 is a front, side perspective view of a pet bowl of the present design, shown in a collapsed state;

FIG. 2 is a side view thereof, the opposite side being substantially a mirror image;

FIG. 3 is a front view thereof;

FIG. 4 is a top view of the pet bowl, shown in an expanded state;

FIG. 5 is a bottom view thereof;

FIG. 6 is a side view thereof;

FIG. 7 is accurately a front view for both the pet bowl of the first embodiment, when in an expanded state, as well as for the pet bowl of the second embodiment, when in an expanded state;

FIG. 8 is a front perspective view of the pet bowl according to a second embodiment, shown in an expanded state;

FIG. 9 is a top view thereof;

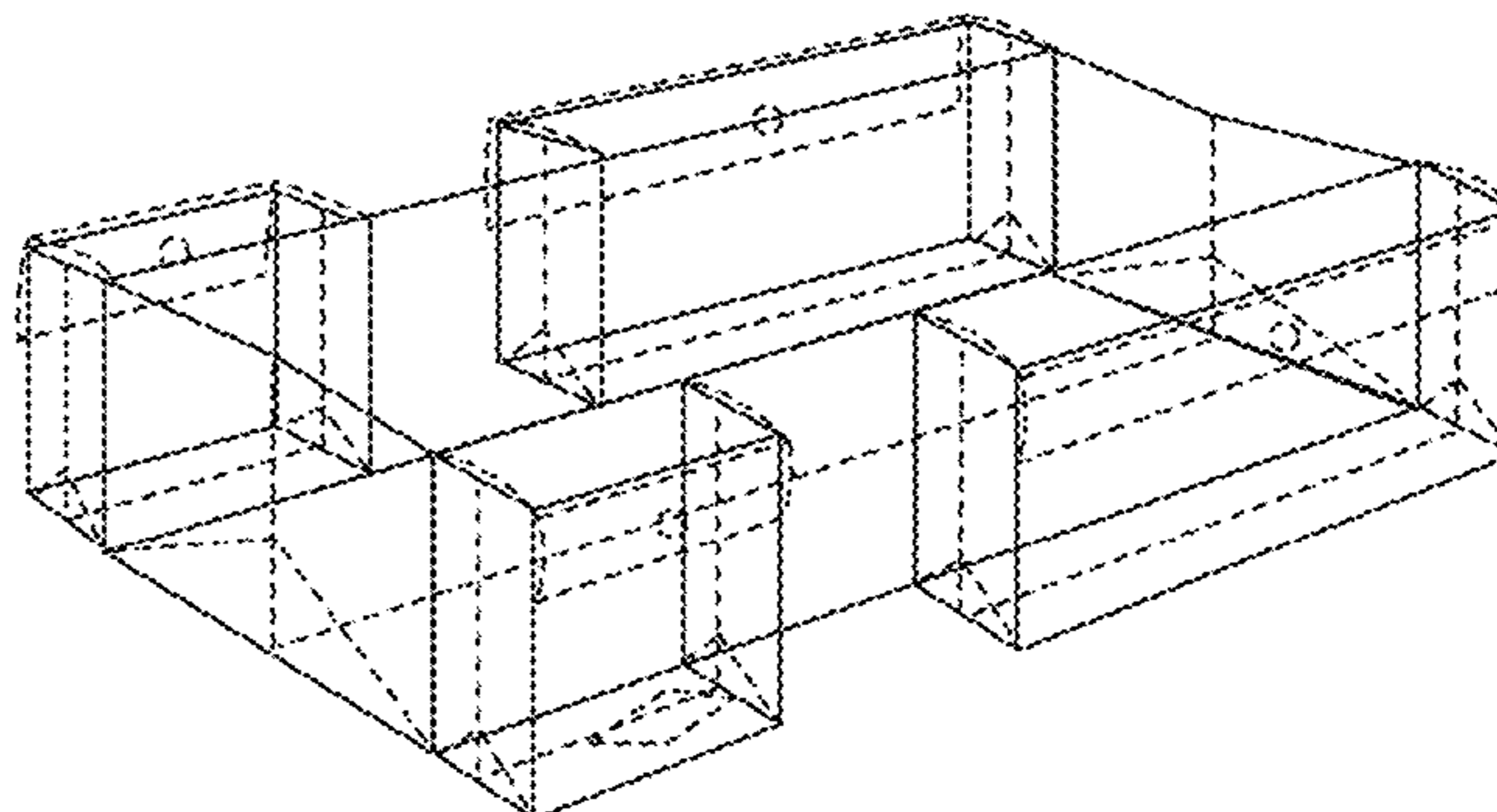
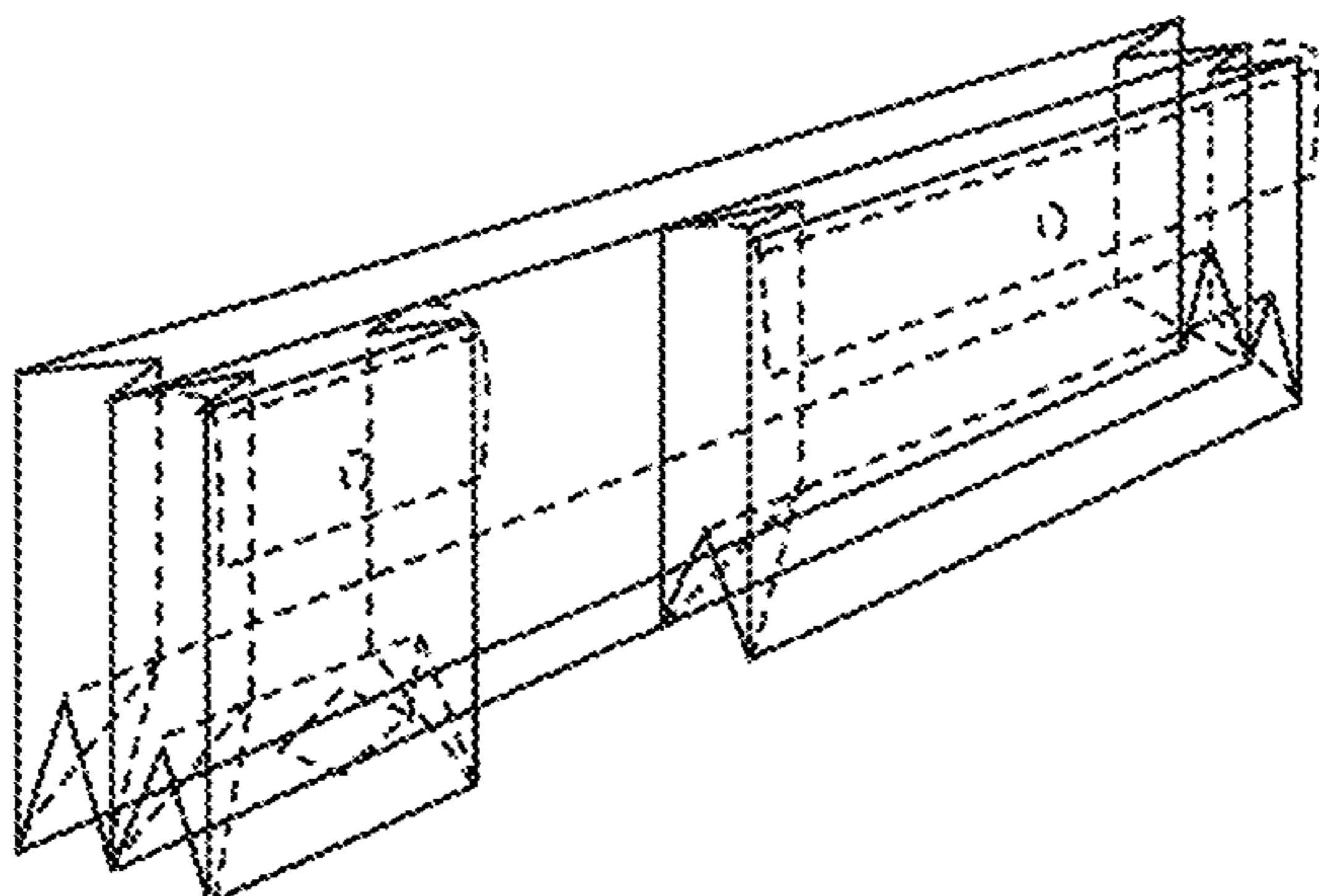
FIG. 10 is a bottom view thereof;

FIG. 11 is a side view thereof; and,

FIG. 12 is a back view thereof.

The broken lines throughout the drawings form no part of the design claim, but are employed to depict, in some instances, exemplary elements of the pet bowl that form no part of the claimed design but that are shown for purposes of illustration, or in other instances, to illustrate what would be the lines of crease along which folding of the bowl occurs when in a collapsed state.

**1 Claim, 12 Drawing Sheets**



(58) **Field of Classification Search**

USPC ..... D27/106, 113, 114; 229/406, 185.1, 120,  
 229/171, 114, 193, 198, 175, 172, 182,  
 229/186, 933, 176, 178, 116, 125.19,  
 229/125.33, 5.82, 166, 198.1, 199, 5.7,  
 229/162.1, 174, 931, 117.07, 122.27,  
 229/162.4, 162.6, 125.08, 920, 930;  
 426/104, 106, 126, 398; D6/510, 475;  
 D34/1, 38; D3/302-314, 276, 273, 201,  
 D3/901, 903, 319; D19/75, 90;  
 D12/424, 425; 493/82, 183, 89, 110,  
 493/133, 167, 137; 217/122, 125, 40;  
 D11/155, 156; 47/904, 65.7, 65.8, 66.3,  
 47/79; 53/477; 383/106, 105, 121, 39,  
 383/40; 281/20; 73/323  
 CPC ..... A01K 5/0114-5/0142; A01K 7/005; B65D  
 5/3607; B65D 5/3635; B65D 5/42; B65D  
 5/365

See application file for complete search history.

(56) **References Cited**

U.S. PATENT DOCUMENTS

269,682 A \* 12/1882 Linnett ..... B65D 5/62  
 229/182  
 356,522 A \* 1/1887 Buckingham ..... B65D 5/0055  
 229/192  
 873,335 A \* 12/1907 Wyman ..... B65D 5/62  
 229/176  
 877,757 A \* 1/1908 Comings ..... B65D 5/248  
 229/122.34  
 1,356,895 A \* 10/1920 Wagoner ..... B65D 5/62  
 229/182  
 1,365,351 A \* 1/1921 Smith ..... B65D 5/62  
 229/122.33  
 1,666,704 A 3/1922 Hunter  
 1,413,750 A \* 4/1922 McCollough ..... A01K 7/00  
 119/61.54  
 1,437,151 A \* 11/1922 Riley ..... B65D 5/3642  
 229/117.08  
 1,737,771 A \* 12/1929 Podell ..... B65D 5/365  
 229/117.08  
 1,926,366 A \* 9/1933 Bergstein ..... B65D 5/3642  
 229/117.07  
 1,929,459 A \* 10/1933 Wellman ..... B65D 5/28  
 229/175  
 1,942,771 A \* 1/1934 Phillips ..... B65D 25/24  
 220/9.2  
 2,303,996 A \* 12/1942 Hirsch ..... B65D 5/365  
 229/117.04  
 2,649,379 A \* 8/1953 Woods ..... A21B 3/131  
 220/62  
 2,654,527 A 10/1953 Geckler et al.  
 2,702,663 A \* 2/1955 Klein ..... B65D 5/248  
 229/172  
 2,760,669 A \* 8/1956 Kreutzer ..... A45C 11/20  
 220/6  
 2,791,367 A \* 5/1957 Mefford ..... B65D 5/0005  
 206/216  
 2,958,357 A \* 11/1960 Vorgan ..... A47G 19/26  
 150/165  
 3,034,698 A \* 5/1962 Forrer ..... B65D 5/002  
 229/117.04  
 3,115,291 A \* 12/1963 Kotowick ..... B65D 5/3628  
 229/117  
 3,180,555 A \* 4/1965 Barrett ..... B65D 5/0005  
 229/101  
 3,227,137 A \* 1/1966 Goldman ..... A01K 1/0125  
 119/170  
 3,376,994 A \* 4/1968 Flinn, Jr. .... B65D 9/14  
 217/14

3,386,644 A \* 6/1968 Zackheim ..... A61B 10/0045  
 229/117.03  
 3,684,155 A \* 8/1972 Smith ..... A01K 1/0125  
 119/168  
 3,987,945 A \* 10/1976 McDowell ..... B60R 7/043  
 220/7  
 4,014,496 A \* 3/1977 Christensson ..... B65D 5/2019  
 229/106  
 4,193,533 A \* 3/1980 Schulman ..... B65D 5/22  
 229/176  
 4,244,508 A \* 1/1981 Schulman ..... B65D 5/22  
 229/182  
 4,331,231 A \* 5/1982 Boyle ..... B65D 5/3642  
 206/45.25  
 4,373,637 A \* 2/1983 Shippell ..... B65D 19/06  
 206/600  
 4,441,451 A \* 4/1984 Neal ..... A01K 1/0125  
 119/168  
 4,534,315 A \* 8/1985 Sweeney ..... A01K 1/0107  
 119/161  
 4,628,863 A \* 12/1986 Eichenauer ..... A01K 1/0125  
 119/168  
 4,804,518 A \* 2/1989 Levine ..... G01N 33/528  
 422/401  
 D311,452 S \* 10/1990 Ehret ..... D3/286  
 5,046,860 A 9/1991 Brennan  
 D370,412 S \* 6/1996 Rohrer ..... D7/602  
 5,630,544 A \* 5/1997 Shane ..... B65D 31/12  
 229/114  
 D383,255 S \* 9/1997 Caditz ..... D30/145  
 5,887,772 A \* 3/1999 Dooley ..... A01K 1/0263  
 119/858  
 6,016,772 A 1/2000 Noyes  
 D425,303 S \* 5/2000 Klonowski ..... D3/201  
 6,213,298 B1 \* 4/2001 Nguyen ..... B65D 5/422  
 206/459.1  
 D443,417 S \* 6/2001 Hillman ..... D3/276  
 6,655,526 B2 12/2003 Urman et al.  
 D486,388 S \* 2/2004 Rauen ..... D9/702  
 6,719,140 B1 4/2004 Rinsler  
 D557,045 S \* 12/2007 Faber ..... D3/274  
 D584,053 S \* 1/2009 Abdo ..... D3/302  
 D607,281 S \* 1/2010 Meyers ..... D30/129  
 D634,123 S \* 3/2011 Williams ..... D3/318  
 8,016,485 B2 9/2011 McCann  
 D655,601 S \* 3/2012 Daley ..... D9/432  
 D659,390 S 5/2012 Guertin et al.  
 D673,056 S 12/2012 Gallas  
 8,613,262 B1 12/2013 Mergard  
 8,746,495 B2 6/2014 Turvey et al.  
 9,010,565 B2 4/2015 Warner  
 D747,217 S \* 1/2016 Glass ..... D9/703  
 9,617,031 B1 \* 4/2017 Piechocinski ..... B65D 5/18  
 9,701,435 B2 \* 7/2017 Piechocinski ..... B65D 5/3685  
 2002/0066413 A1 \* 6/2002 Prezant ..... A01K 5/0114  
 119/61.57  
 2005/0061811 A1 \* 3/2005 Wang ..... B65D 5/3614  
 220/6  
 2005/0279816 A1 \* 12/2005 Kao ..... B65D 5/3657  
 229/186  
 2006/0119007 A1 \* 6/2006 Hoogland ..... B29C 45/0081  
 264/328.1  
 2006/0237519 A1 \* 10/2006 Hui ..... B65D 5/241  
 229/117.08  
 2007/0039840 A1 \* 2/2007 Mu ..... B65D 5/38  
 206/278  
 2007/0051785 A1 \* 3/2007 Roessiger ..... B65D 5/0227  
 229/117  
 2007/0223843 A1 9/2007 Frohwein  
 2009/0250009 A1 \* 10/2009 Warner ..... A01K 7/00  
 119/61.5  
 2010/0025456 A1 \* 2/2010 McCann ..... B65D 31/10  
 229/117.06

(56)

**References Cited**

U.S. PATENT DOCUMENTS

2010/0027917 A1\* 2/2010 McCann ..... B65D 31/10  
383/10  
2013/0152863 A1\* 6/2013 Peterson ..... A01K 1/0125  
119/168  
2014/0202391 A1\* 7/2014 Penn ..... A01K 7/00  
119/61.5

\* cited by examiner

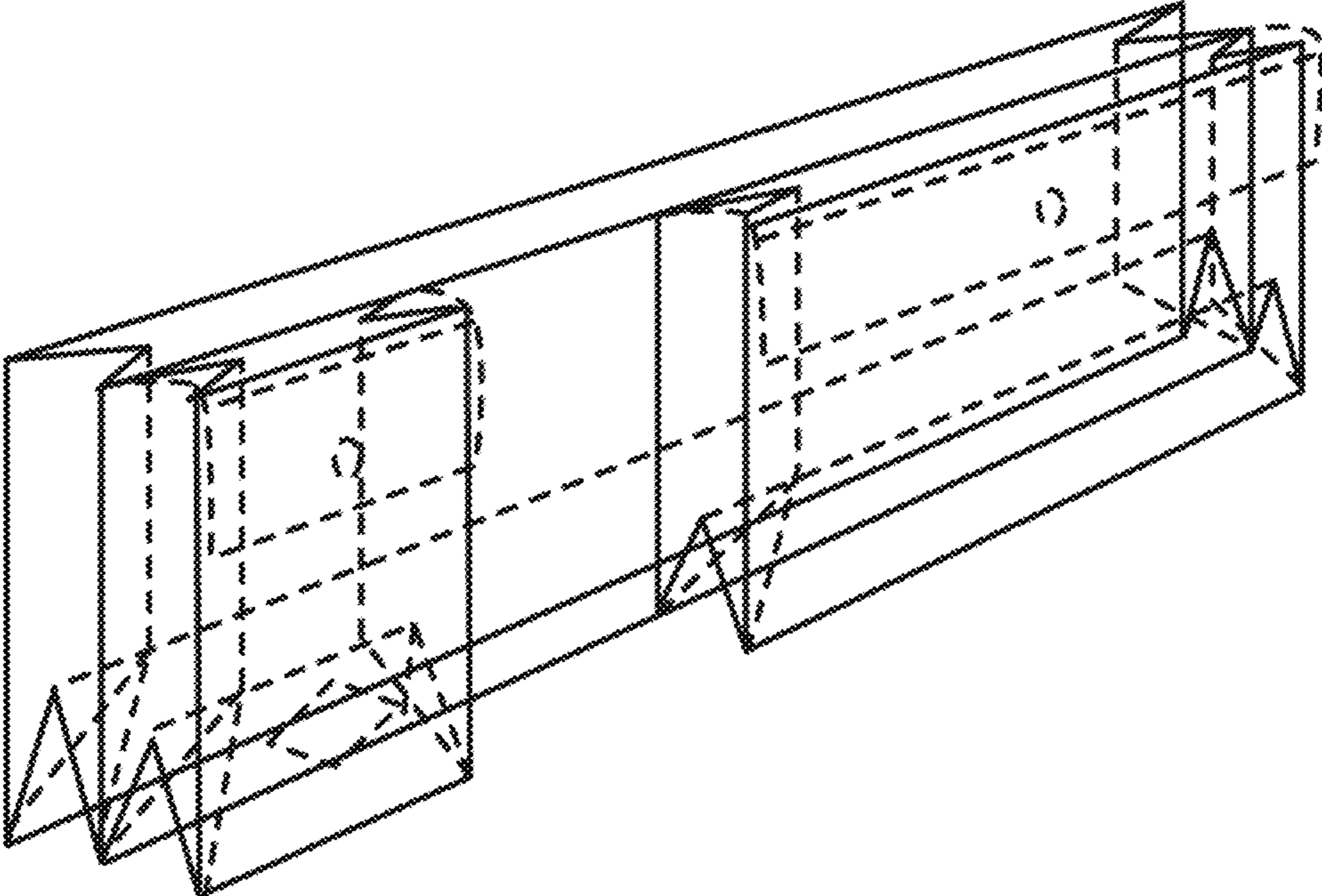


Fig. 1

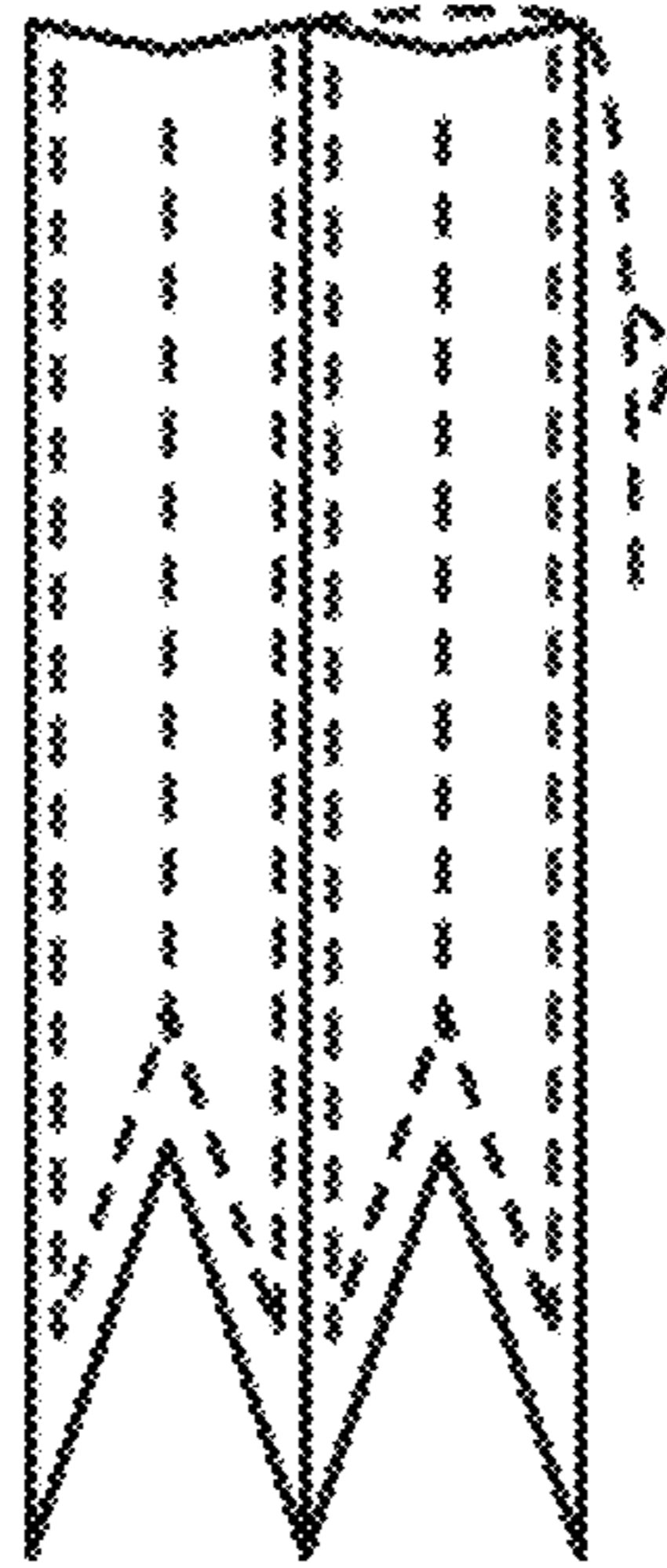


Fig. 2

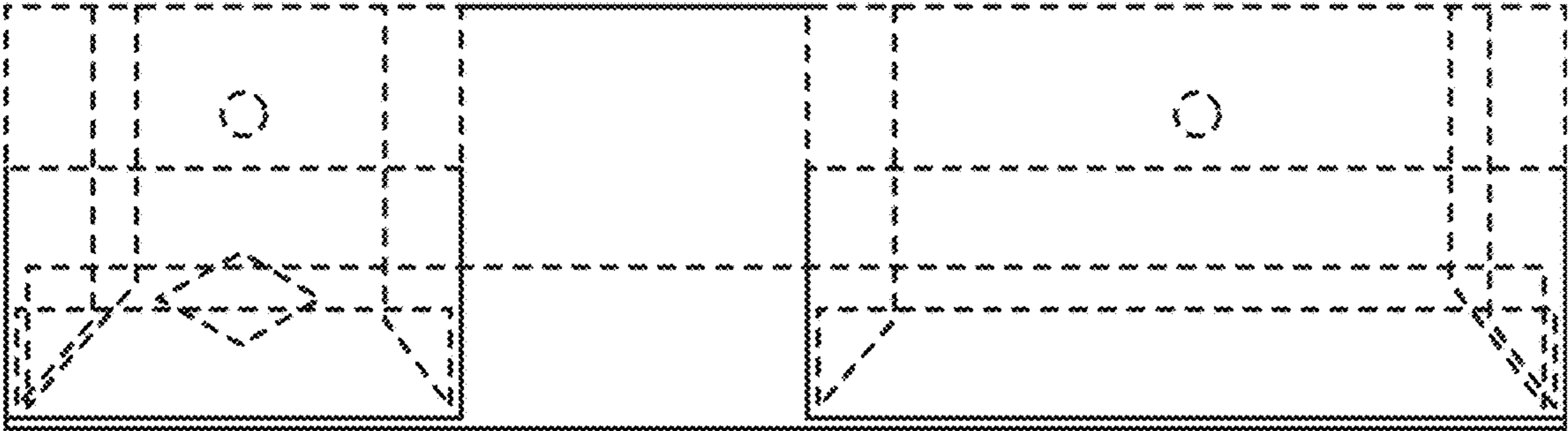


Fig. 3

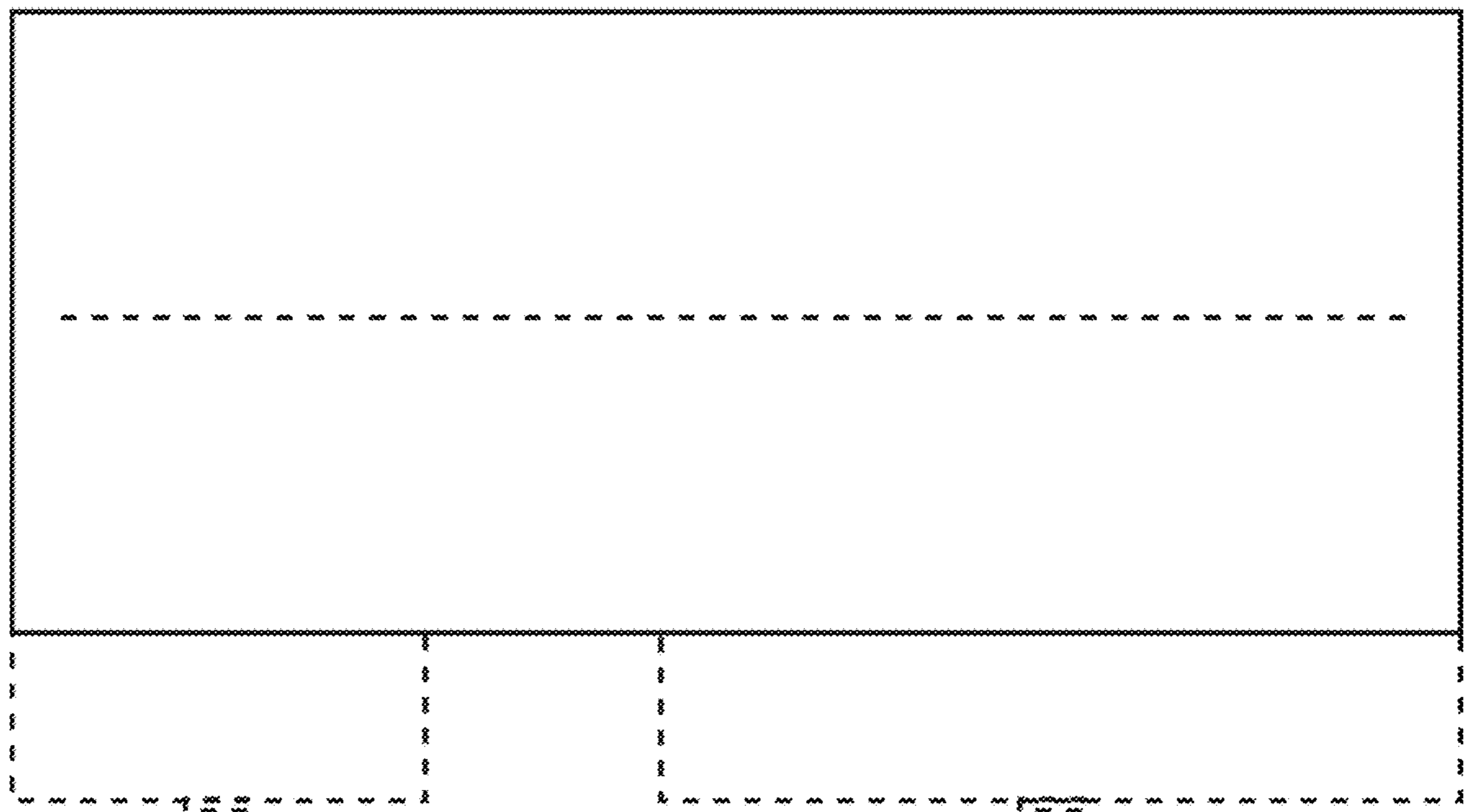


Fig. 4

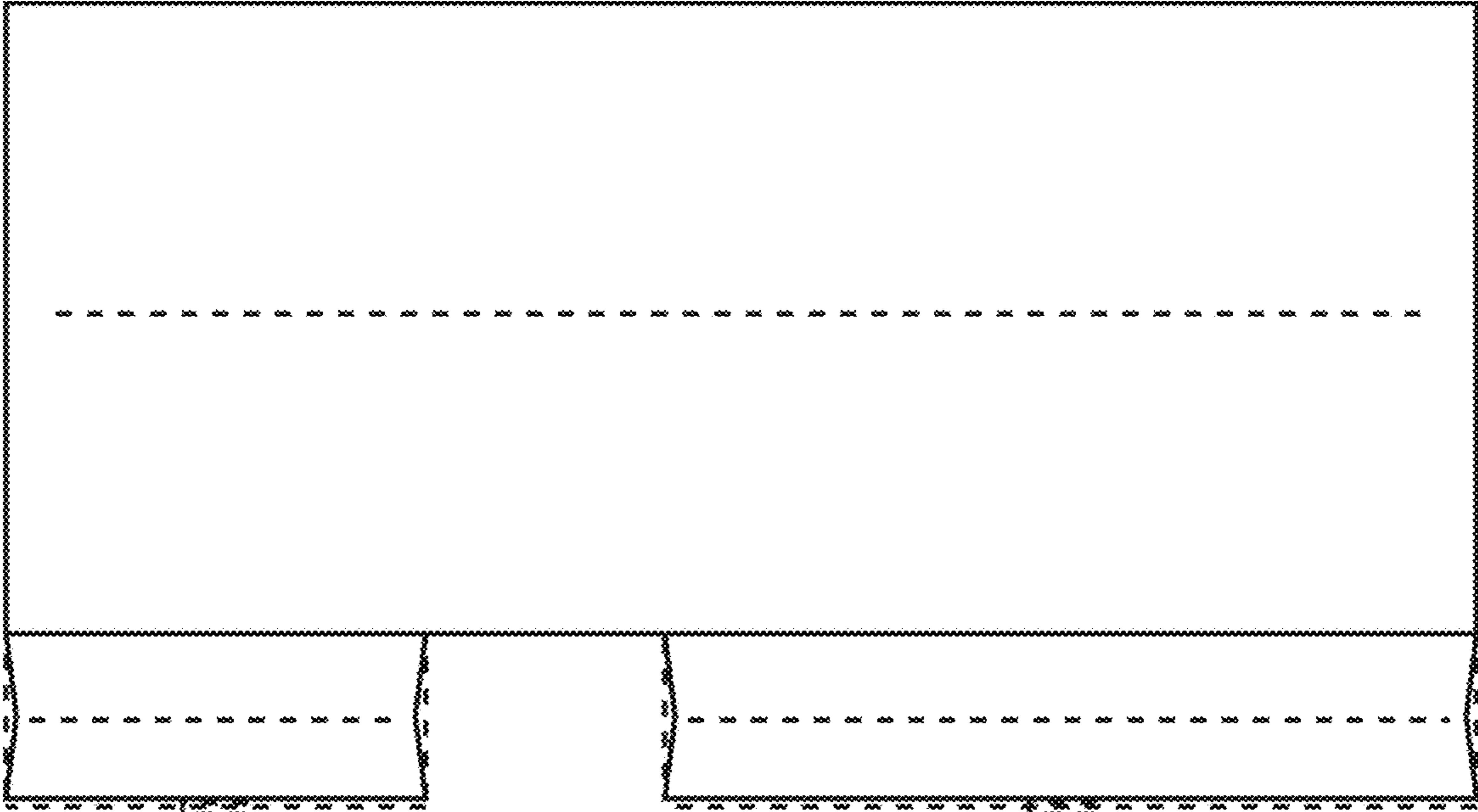


Fig. 5



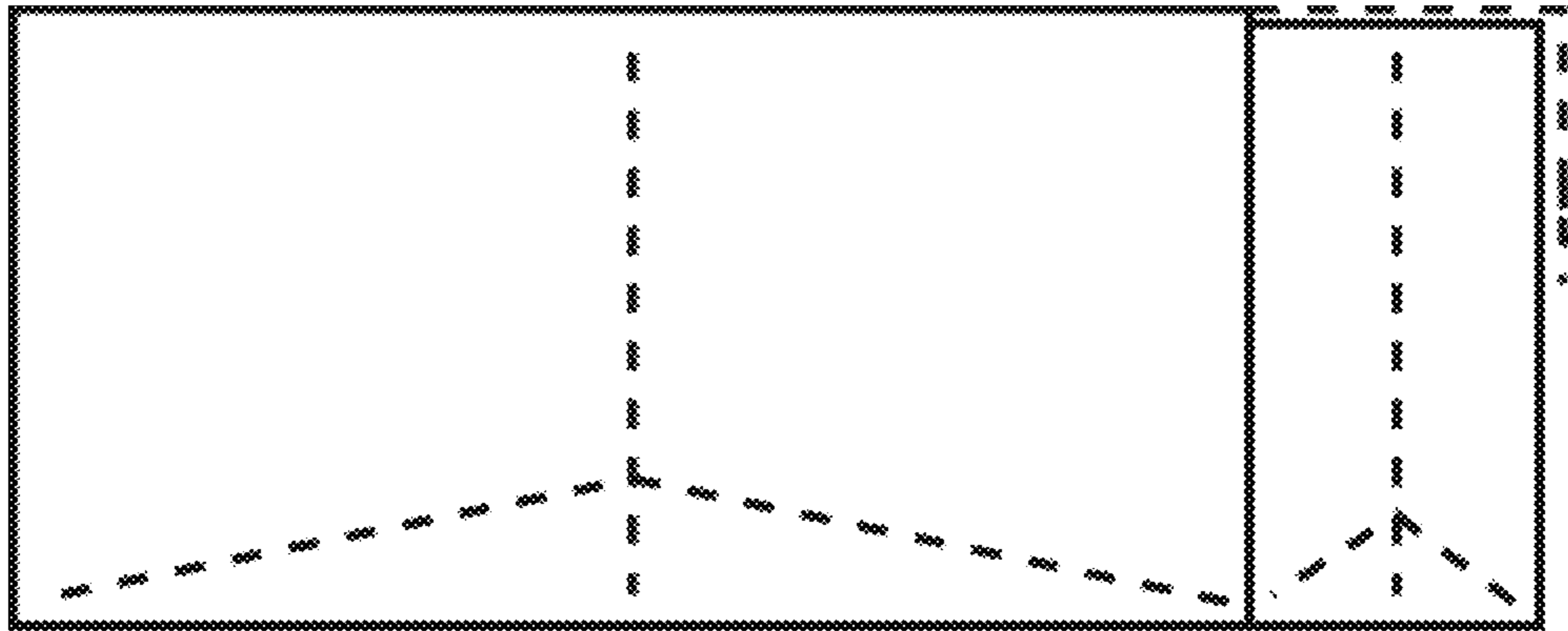


Fig. 6

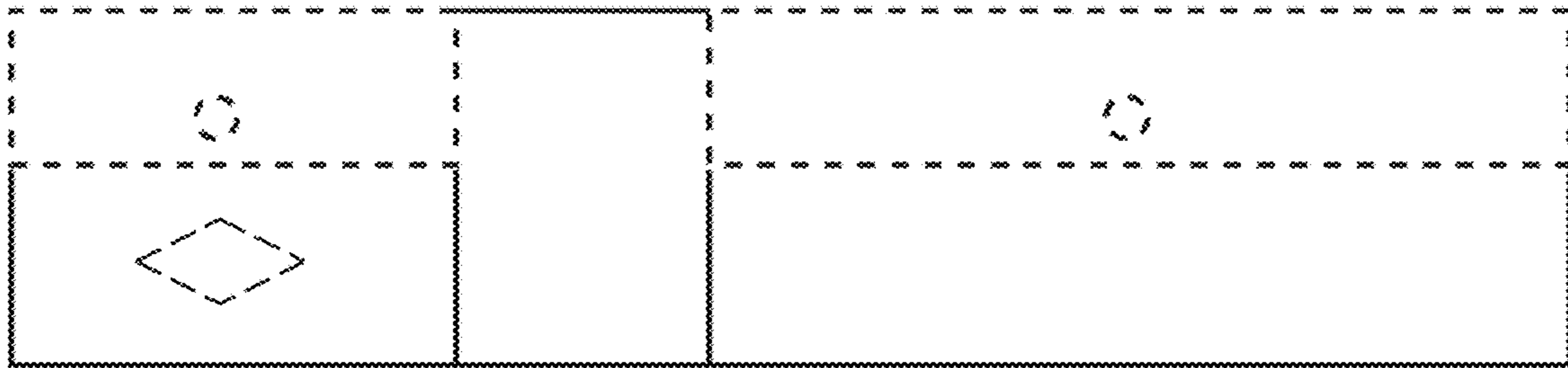


Fig. 7

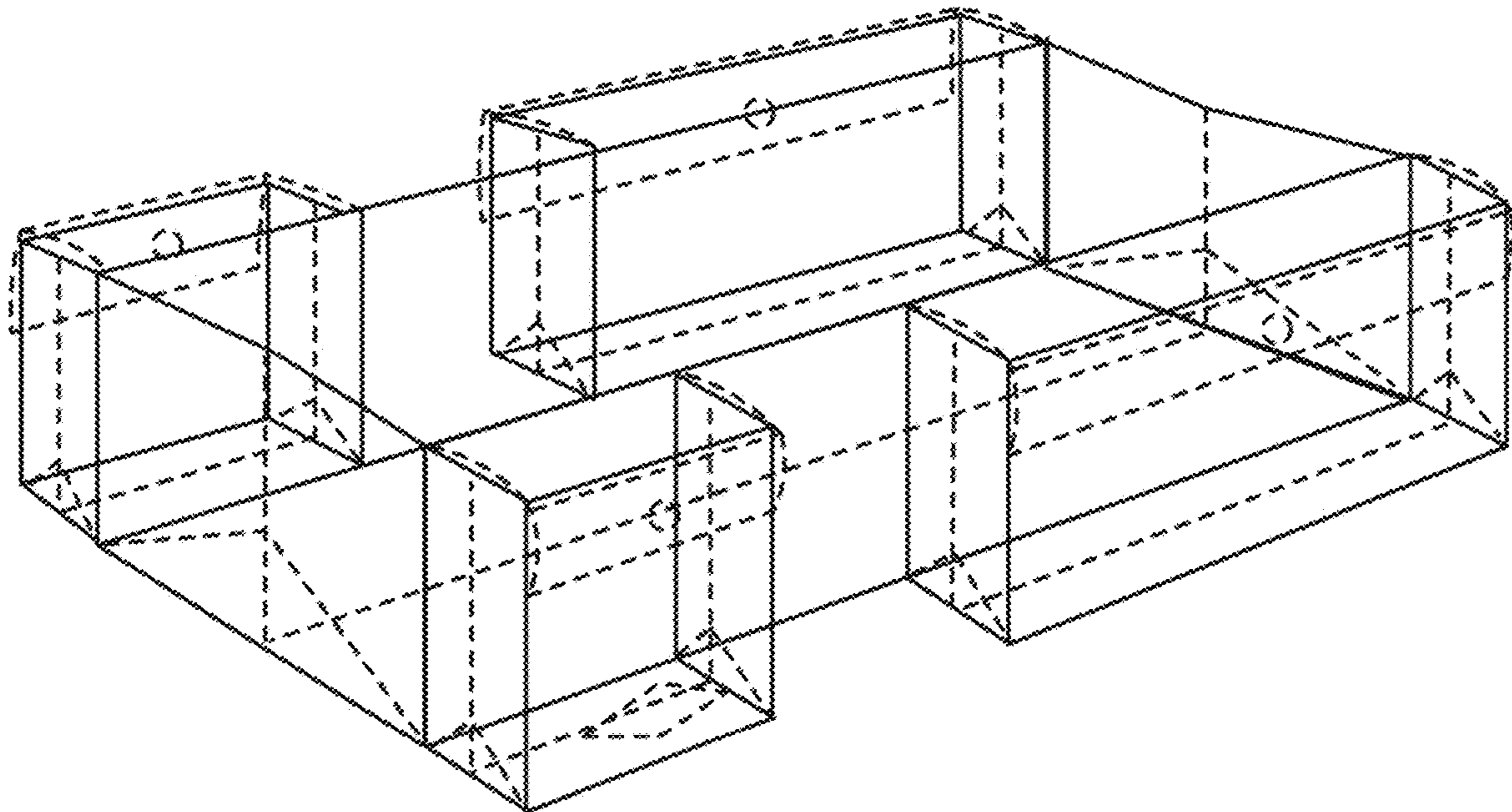


Fig. 8

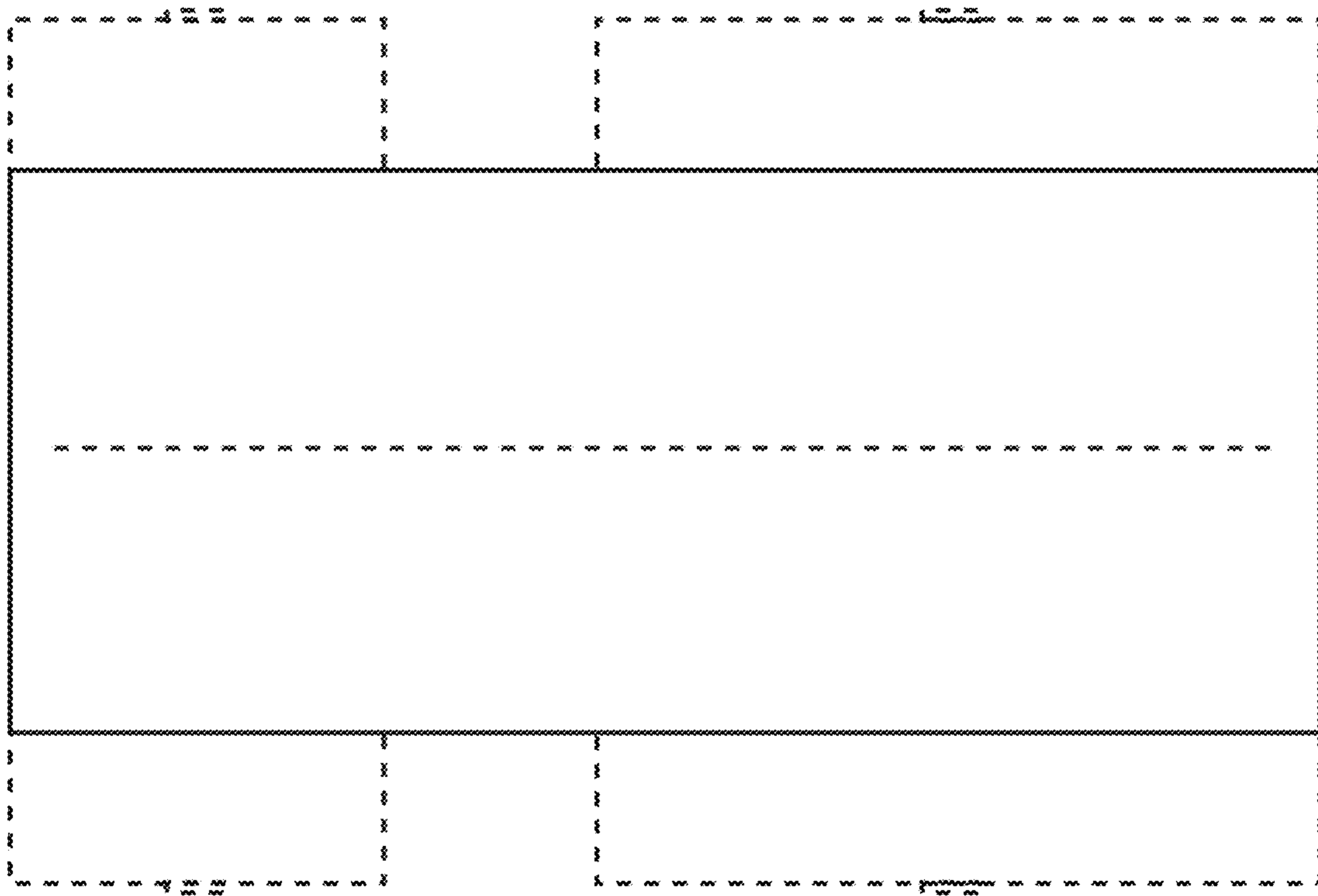


Fig. 9

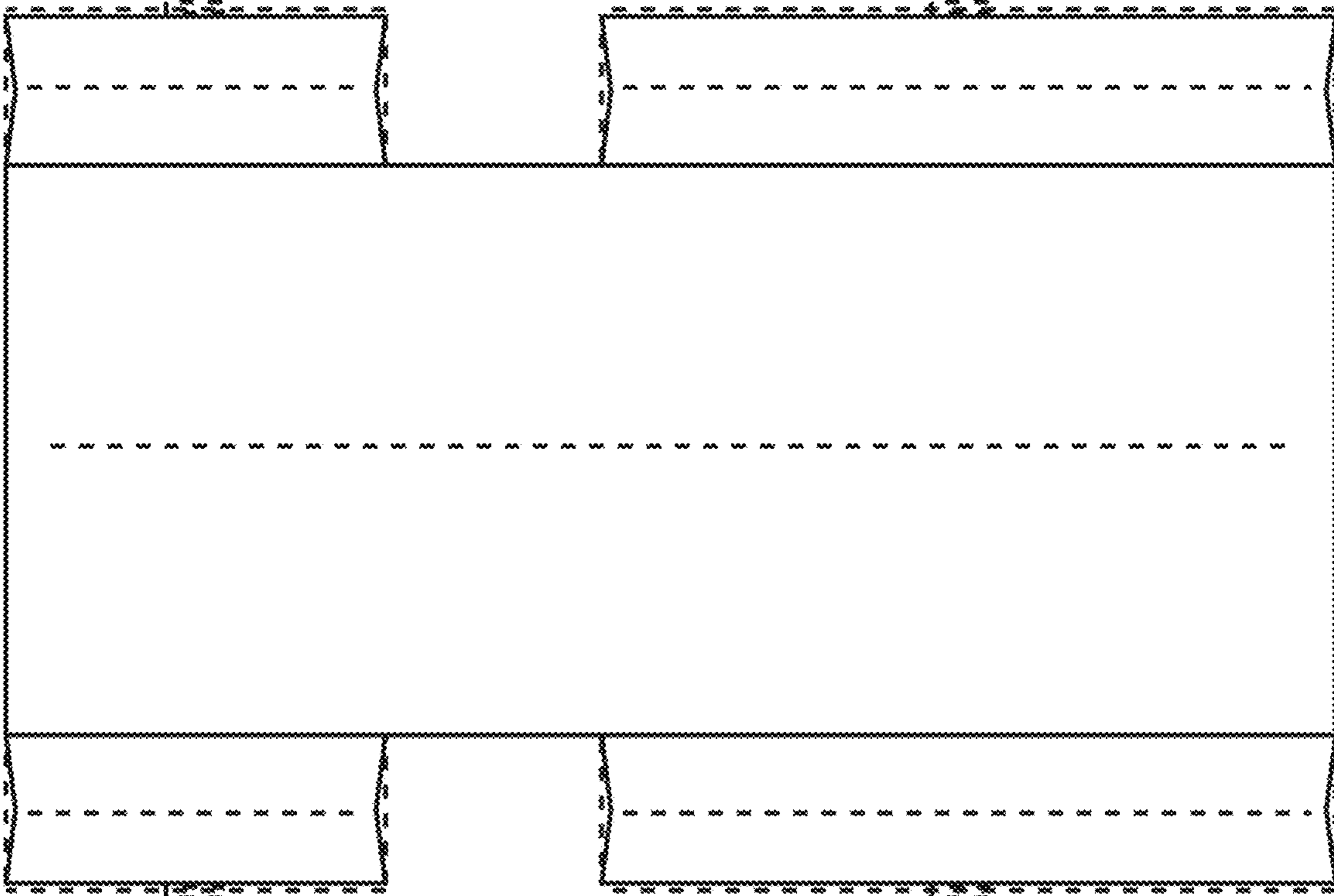


Fig. 10

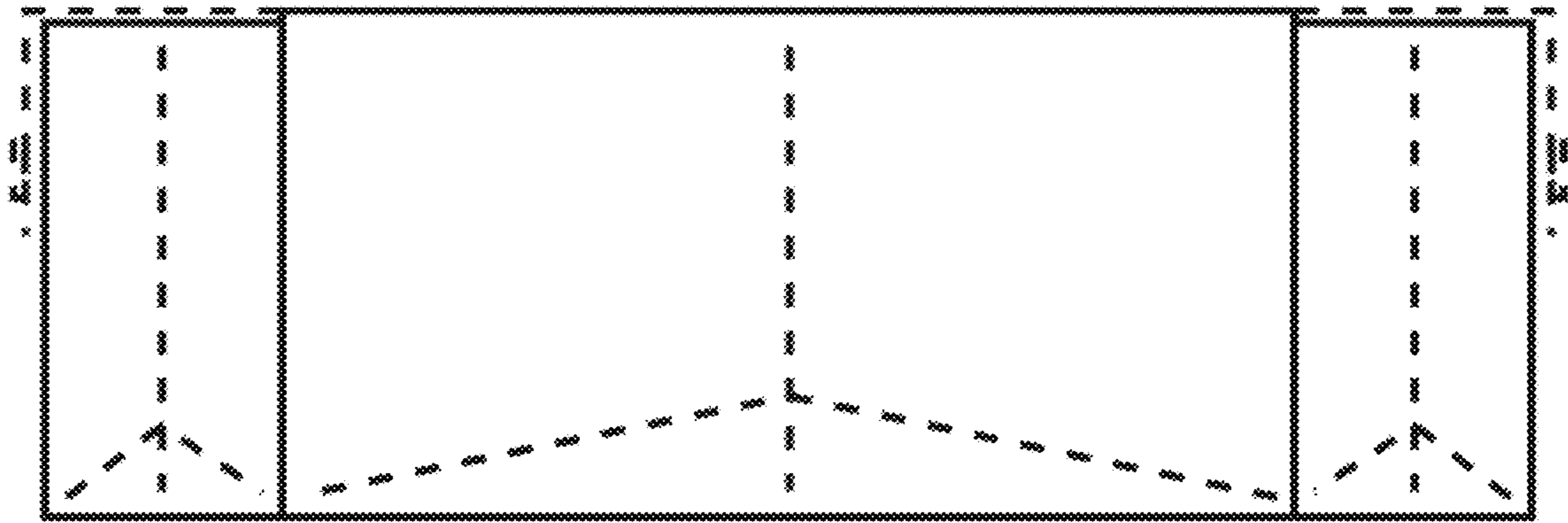


Fig. 11

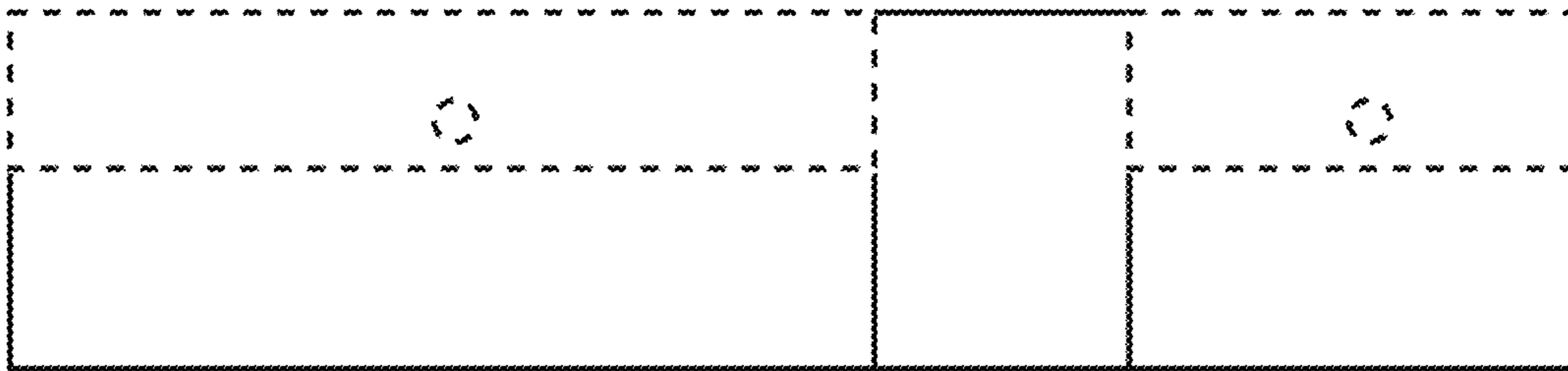


Fig. 12