



US00D807585S

(12) **United States Design Patent**  
**Fletcher et al.**

(10) **Patent No.:** **US D807,585 S**  
(45) **Date of Patent:** **\*\* Jan. 9, 2018**

(54) **HEARING PROTECTOR HEADBAND**  
(71) Applicant: **3M INNOVATIVE PROPERTIES COMPANY**, St. Paul, MN (US)  
(72) Inventors: **Douglas D. Fletcher**, Woodbury, MN (US); **Nicolas A. Echeverri**, Woodbury, MN (US); **Eric O. Hemberg**, Shatin (HK); **Oscar M. Hemberg**, Dalarö (SE)  
(73) Assignee: **3M INNOVATIVE PROPERTIES COMPANY**, St. Paul, MN (US)

3,085,253 A \* 4/1963 Ulrich ..... A61F 11/14  
181/256  
D206,256 S \* 11/1966 Boyer ..... D29/112  
3,488,457 A \* 1/1970 Lahti ..... H04R 1/1008  
381/371  
3,681,540 A \* 8/1972 Thomson ..... H04R 1/1066  
381/374  
4,571,746 A \* 2/1986 Gorike ..... H04R 5/0335  
2/209  
D298,670 S \* 11/1988 Palmaer ..... D14/205  
D313,092 S \* 12/1990 Nilsson ..... D14/205  
5,068,923 A \* 12/1991 Sjoqvist ..... A61F 11/14  
181/129

(\*\*) Term: **15 Years**

(Continued)

(21) Appl. No.: **29/548,941**

(22) Filed: **Dec. 17, 2015**

(51) **LOC (11) Cl.** ..... **29-02**

(52) **U.S. Cl.**  
USPC ..... **D29/112**; D29/122

(58) **Field of Classification Search**  
USPC ..... D29/100, 102, 105, 106, 108, 112, 122;  
2/455, 410, 417, 423, 424, 425, 9, 171,  
2/208, 209, 918; D14/205, 223, 249;  
181/129, 130, 135; 379/430, 431;  
381/380, 381; 455/90.3, 575.1  
CPC ..... A42B 3/16; A42B 3/163; A42B 3/166;  
A61F 11/06; A61F 11/08; A61F 11/10;  
A61F 11/12; A61F 11/14; A61F  
2011/085; H04R 1/10; H04R 1/1008;  
H04R 1/1016; H04R 1/105; H04R  
1/1058; H04R 1/1066; H04R 1/1075;  
H04R 1/1083; H04R 5/0335; H04R  
25/652; H04R 25/654; H04R 25/656;  
A63B 71/10

See application file for complete search history.

(56) **References Cited**

**U.S. PATENT DOCUMENTS**

2,883,671 A \* 4/1959 Hornickel ..... A61F 11/14  
128/866  
2,981,958 A \* 5/1961 Wadsworth ..... A61F 11/14  
2/209

**OTHER PUBLICATIONS**

U.S. Appl. No. 15/548,049, filed Jan. 27, 2016 entitled "Improved Comfort Headband for Hearing Protectors".

*Primary Examiner* — Elizabeth J Oswecki

(74) *Attorney, Agent, or Firm* — Irina Hass

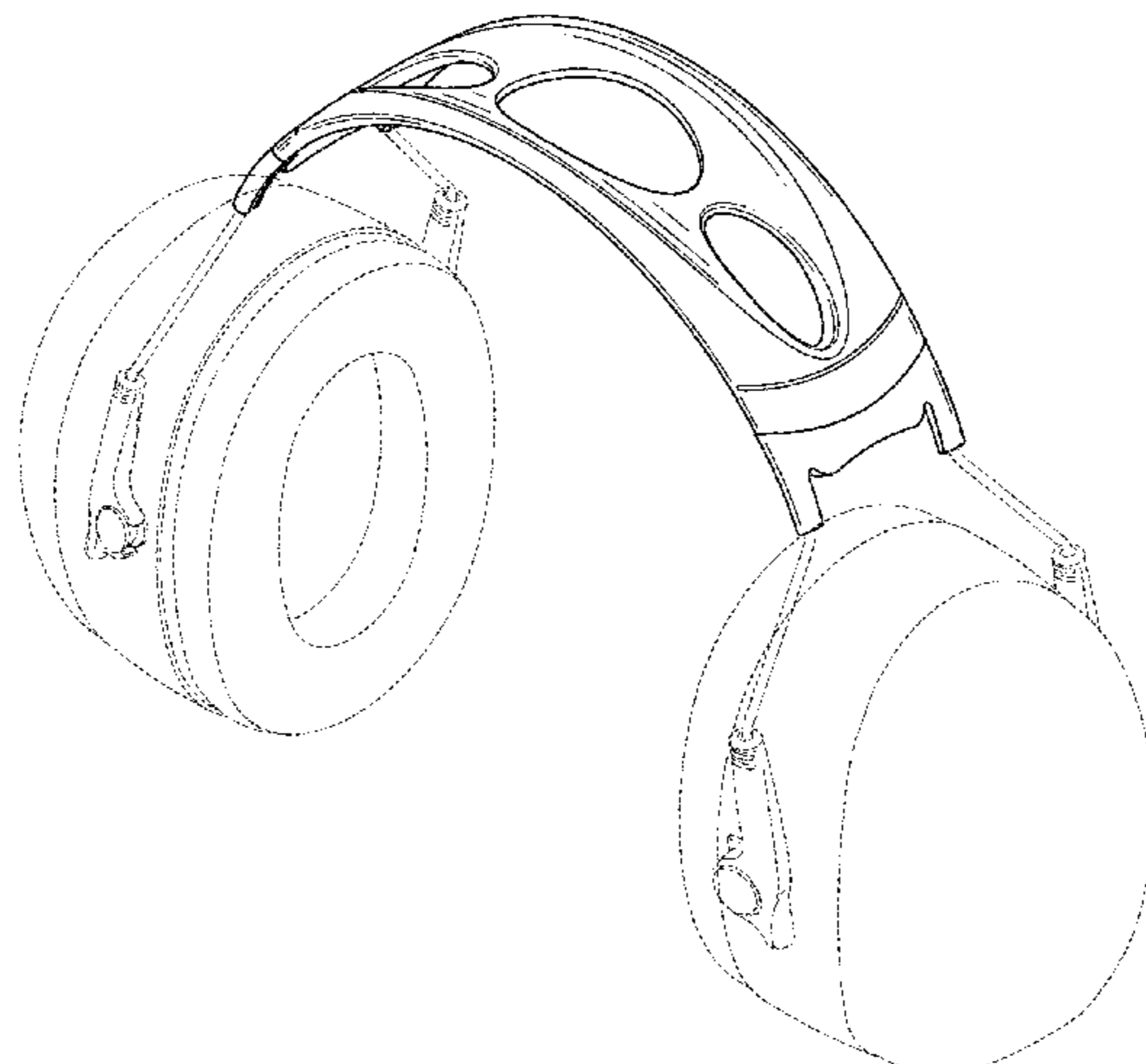
(57) **CLAIM**

The ornamental design for a hearing protector headband, as shown and described.

**DESCRIPTION**

FIG. 1 is a perspective view of a hearing protector headband showing our new design;  
FIG. 2 is a front view thereof, a rear view being a mirror image thereof;  
FIG. 3 is a top view thereof;  
FIG. 4 is a bottom view thereof; and,  
FIG. 5 is a right side view thereof, a left side view being a mirror image thereof.  
The portions of the hearing protector headband in FIGS. 1-5 shown in broken lines are included to show features that form no part of the claimed design.

**1 Claim, 3 Drawing Sheets**



(56)

## References Cited

## U.S. PATENT DOCUMENTS

5,384,857 A \* 1/1995 Nordin ..... A61F 11/14  
381/374  
D403,126 S \* 12/1998 Scanlon ..... D29/112  
D403,128 S \* 12/1998 Scanlon ..... D29/112  
D411,200 S \* 6/1999 Almqvist ..... D14/192  
D413,413 S \* 8/1999 Dillon ..... D14/205  
D434,191 S \* 11/2000 Emilsson ..... D29/112  
6,724,906 B2 \* 4/2004 Naksen ..... H04R 1/1066  
381/370  
D509,323 S \* 9/2005 Emilsson ..... D29/112  
7,172,052 B2 \* 2/2007 Lenhard-  
Backhaus ..... H04R 1/1066  
181/129  
D541,483 S \* 4/2007 Birgersson ..... D29/112  
7,766,120 B2 \* 8/2010 Hansson ..... A61F 11/14  
181/129  
D651,764 S \* 1/2012 Gresko ..... A61F 11/14  
D29/112  
8,160,287 B2 \* 4/2012 Slippy ..... H04R 5/0335  
381/367  
D663,900 S \* 7/2012 Karlsson ..... A61F 11/14  
D29/112  
D736,475 S \* 8/2015 Fletcher ..... D29/112  
D744,171 S \* 11/2015 Rose ..... D29/112  
D752,816 S \* 3/2016 Fletcher ..... D29/112  
D763,518 S \* 8/2016 Fletcher ..... D29/112  
D780,378 S \* 2/2017 Chow ..... D14/205  
2013/0340769 A1 \* 12/2013 Roos ..... A61F 11/14  
128/866

\* cited by examiner

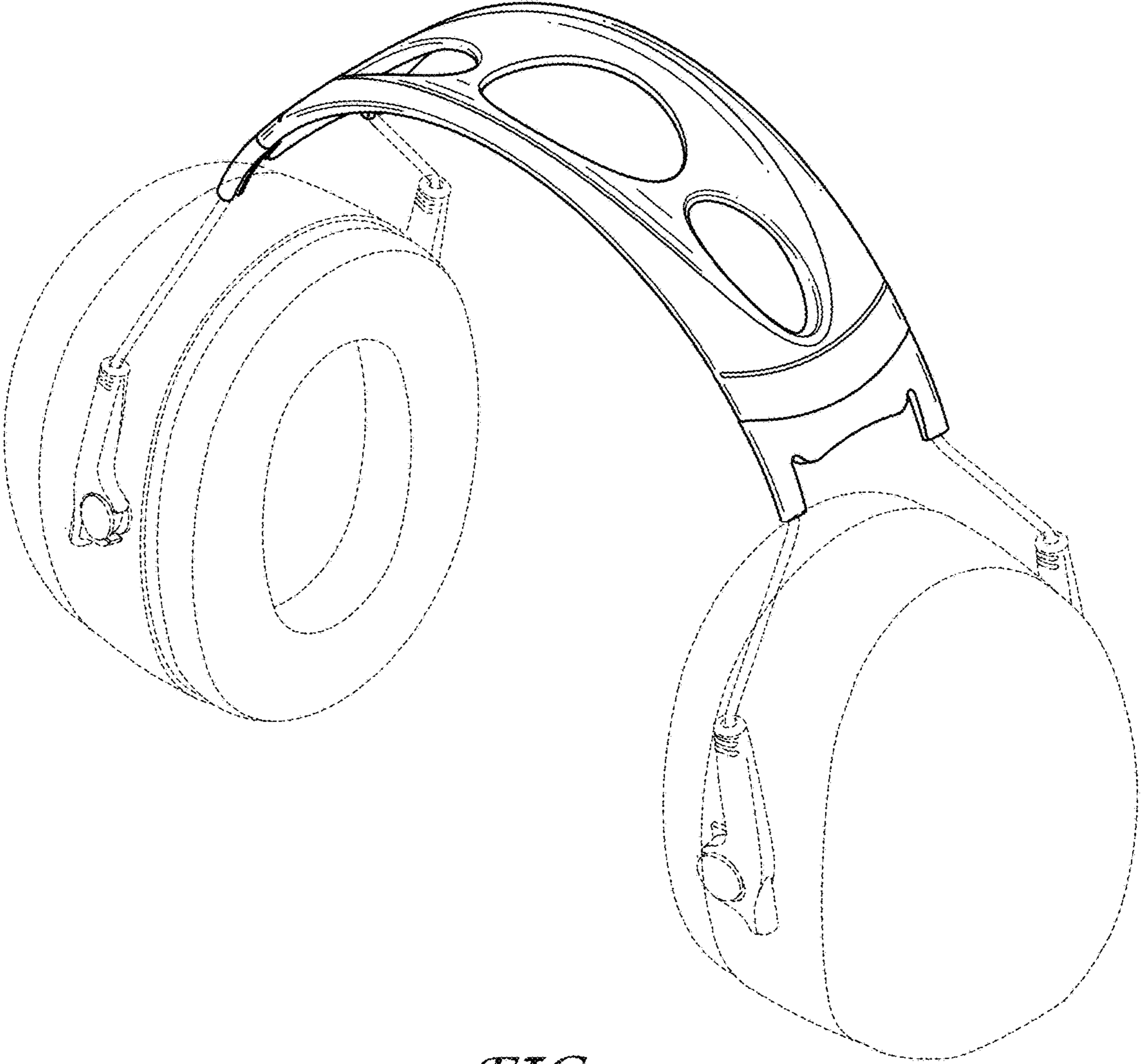
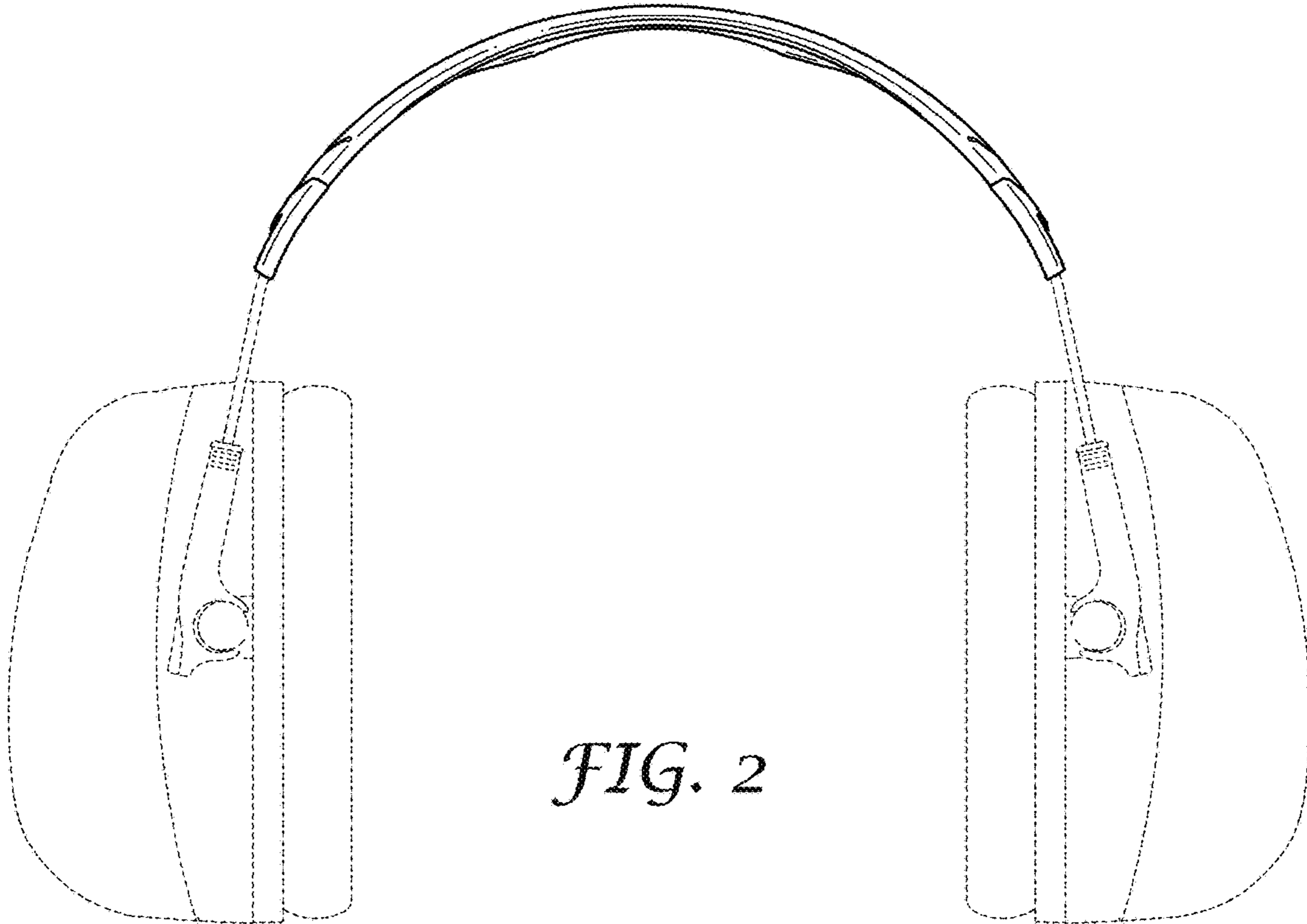
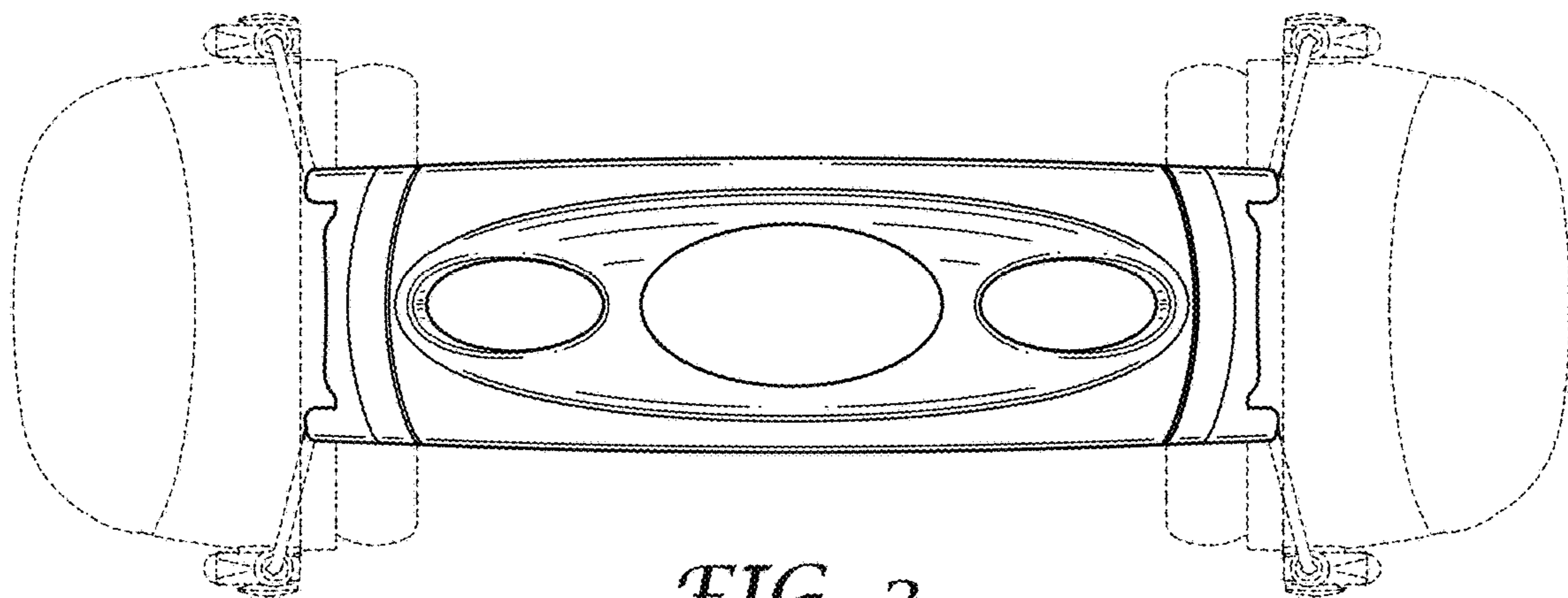


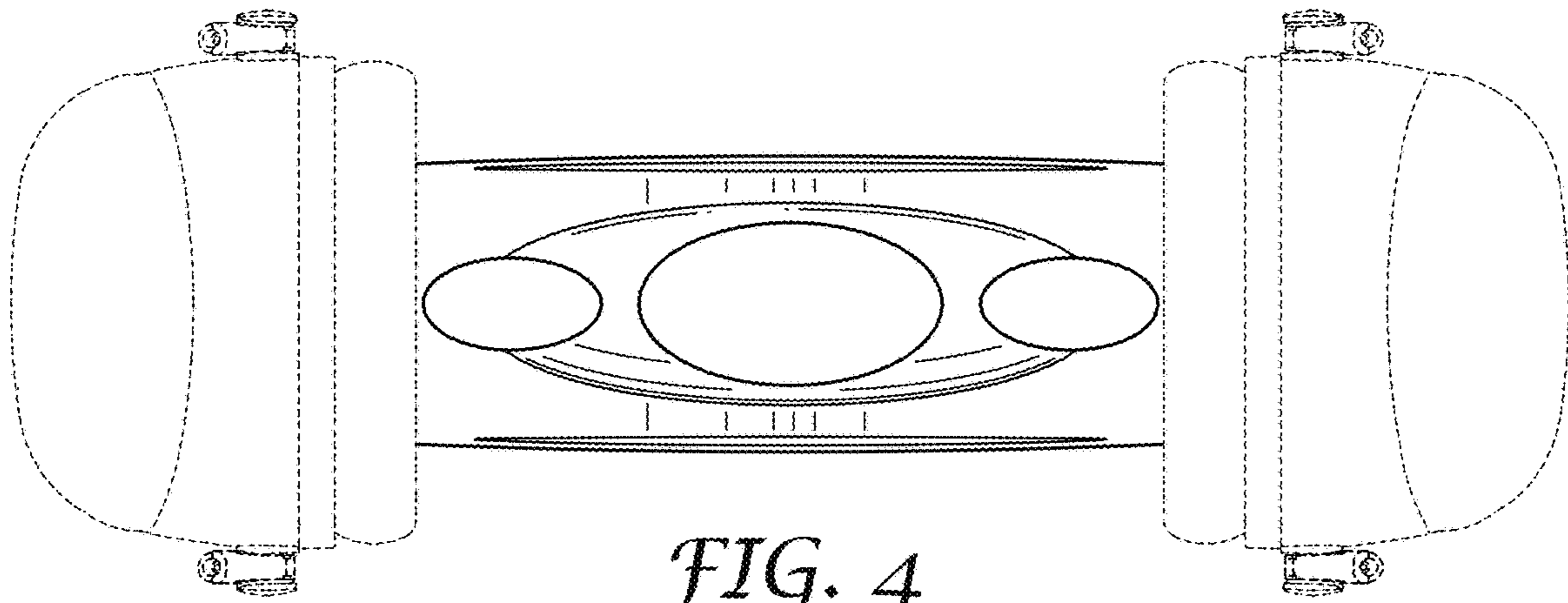
FIG. 1



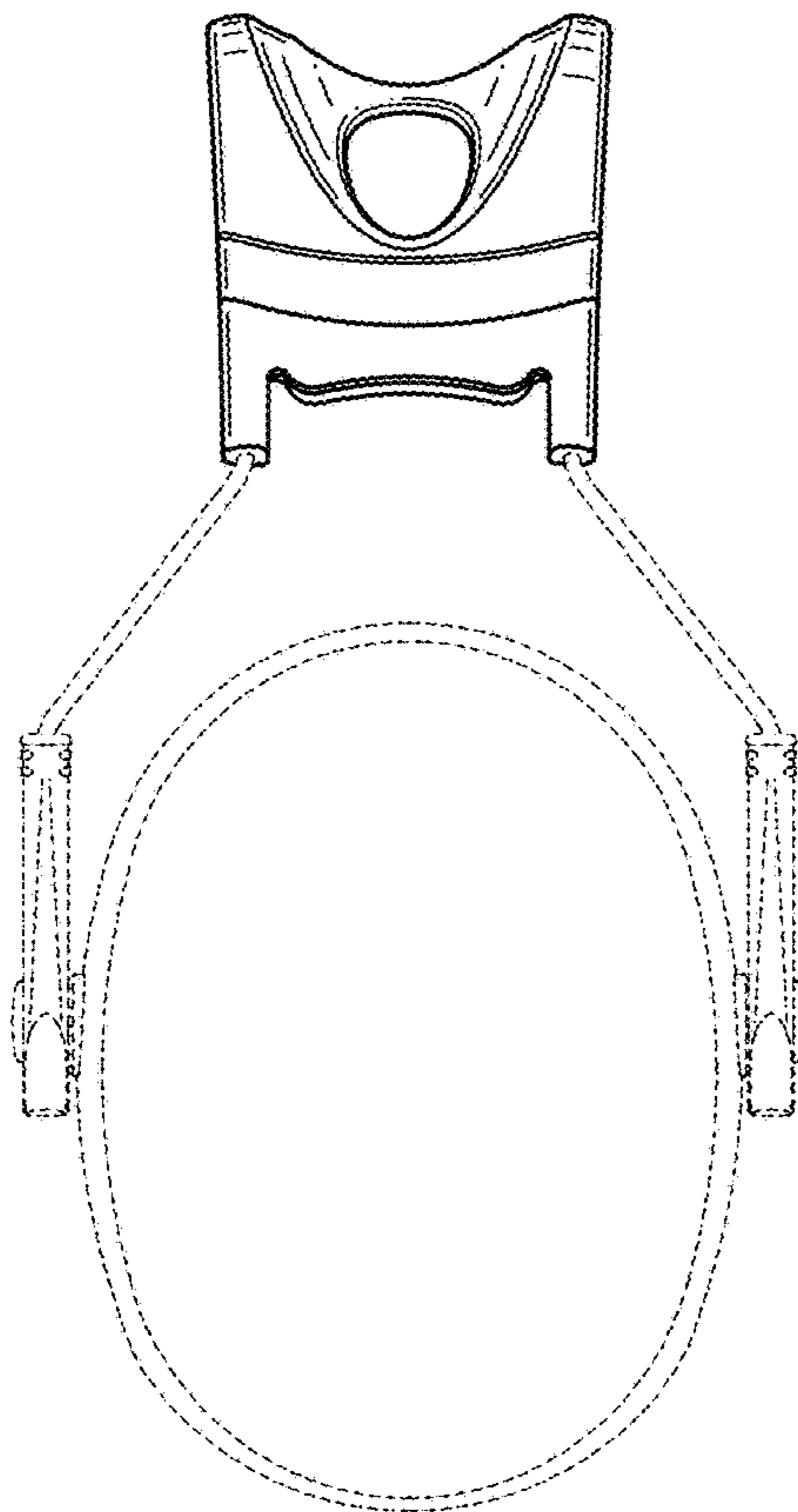
*FIG. 2*



*FIG. 3*



*FIG. 4*



*FIG. 5*