



US00D807583S

(12) **United States Design Patent**
Evans

(10) **Patent No.:** **US D807,583 S**
(45) **Date of Patent:** **** Jan. 9, 2018**

- (54) **MOUTHGUARD**
- (71) Applicant: **Jeff Evans**, Omaha, NE (US)
- (72) Inventor: **Jeff Evans**, Omaha, NE (US)
- (**) Term: **15 Years**
- (21) Appl. No.: **29/607,701**
- (22) Filed: **Jun. 15, 2017**
- (51) **LOC (11) Cl.** **29-02**
- (52) **U.S. Cl.**
USPC **D29/108**
- (58) **Field of Classification Search**
USPC D29/100, 105, 106, 108, 122; D24/108,
D24/109, 110, 110.5, 156, 176, 181
CPC . A61F 5/566; A61F 5/58; A63B 71/08; A63B
71/081; A63B 71/085; A63B 2071/085;
A63B 2071/088; A61C 7/10; A61C
13/08; A61C 13/081; A61C 13/083; A61C
13/087; A61C 19/066; A61C 5/14; A61B
13/00; A61B 13/24
See application file for complete search history.

(56) **References Cited**

U.S. PATENT DOCUMENTS

2,966,908	A *	1/1961	Cathcart	A63B 71/085 128/861
3,234,942	A *	2/1966	Simor	A61C 19/063 604/20
3,878,610	A *	4/1975	Coscina	A61C 9/0006 433/37
D300,059	S *	2/1989	Pier	D24/176
D382,965	S *	8/1997	Wagner	D29/108
6,082,363	A *	7/2000	Washburn	A63B 71/085 128/859
6,584,978	B1 *	7/2003	Brett	A63B 71/085 128/859
D492,785	S *	7/2004	Garabito	D24/181
D504,744	S *	5/2005	Hidalgo	D29/108

D529,176	S *	9/2006	Moriyama	D24/152
D537,986	S *	3/2007	Manzo	D29/108
D539,429	S *	3/2007	Wong	D24/181
D554,259	S *	10/2007	Diacopoulos	D24/181
D593,714	S *	6/2009	Hirshberg	D29/108
7,549,423	B1 *	6/2009	Hirshberg	A63B 71/085 128/848
D603,101	S *	10/2009	Hirshberg	D29/108
8,739,599	B2 *	6/2014	Hennig	A63B 71/085 73/12.01
D710,506	S *	8/2014	Tolentino	D24/181
D727,571	S *	4/2015	Brett	D29/108
D734,556	S *	7/2015	Brett	D24/181
D743,107	S *	11/2015	Hirshberg	D29/108
2010/0006109	A1 *	1/2010	McGinnis	A63B 71/085 128/861

(Continued)

Primary Examiner — Elizabeth J Oswecki
(74) *Attorney, Agent, or Firm* — Ryan T. Grace; Advent, LLP

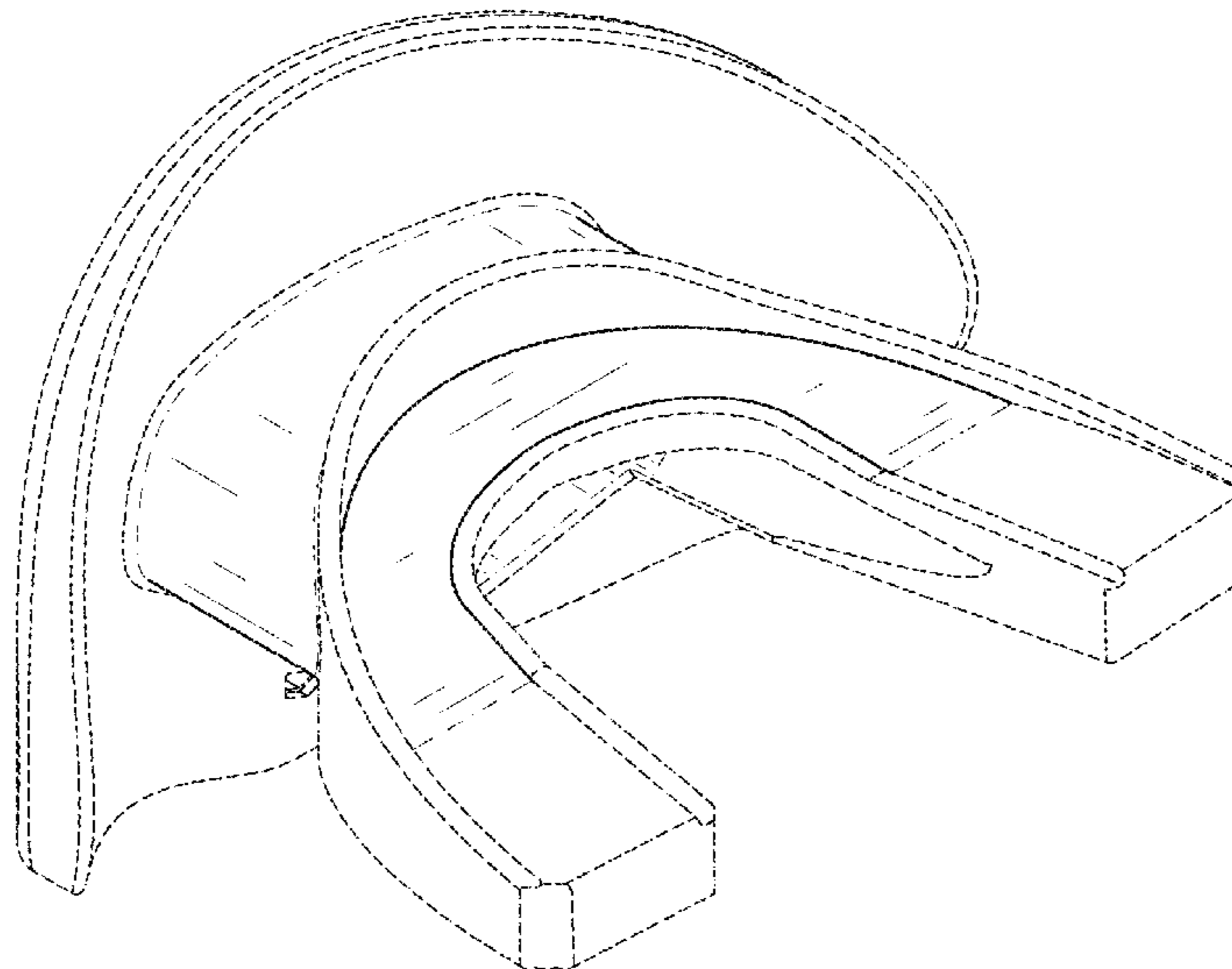
(57) **CLAIM**

The ornamental design for a mouthguard, as shown and described.

DESCRIPTION

FIG. 1 is a top view of a mouthguard showing my new design.
 FIG. 2 is a bottom view of the mouthguard of FIG. 1.
 FIG. 3 is a front view of the mouthguard of FIG. 1.
 FIG. 4 is a rear view of the mouthguard of FIG. 1.
 FIG. 5 is a left side view of the mouthguard of FIG. 1.
 FIG. 6 is a right side view of the mouthguard of FIG. 1.
 FIG. 7 is an isometric view of the mouthguard of FIG. 1; and,
 FIG. 8 is another isometric view of the mouthguard of FIG. 1.
 The broken and dash-dot-dash boundary lines shown illustrate portions of the article that form no part of the claimed design.

1 Claim, 8 Drawing Sheets



(56)

References Cited

U.S. PATENT DOCUMENTS

2010/0051038 A1* 3/2010 Quigless A63B 71/085
128/861
2010/0108078 A1* 5/2010 Morgan A63B 71/085
128/861
2011/0214478 A1* 9/2011 Hennig G01M 7/08
73/12.01
2012/0111343 A1* 5/2012 Turkbaz A63B 71/085
128/862

* cited by examiner

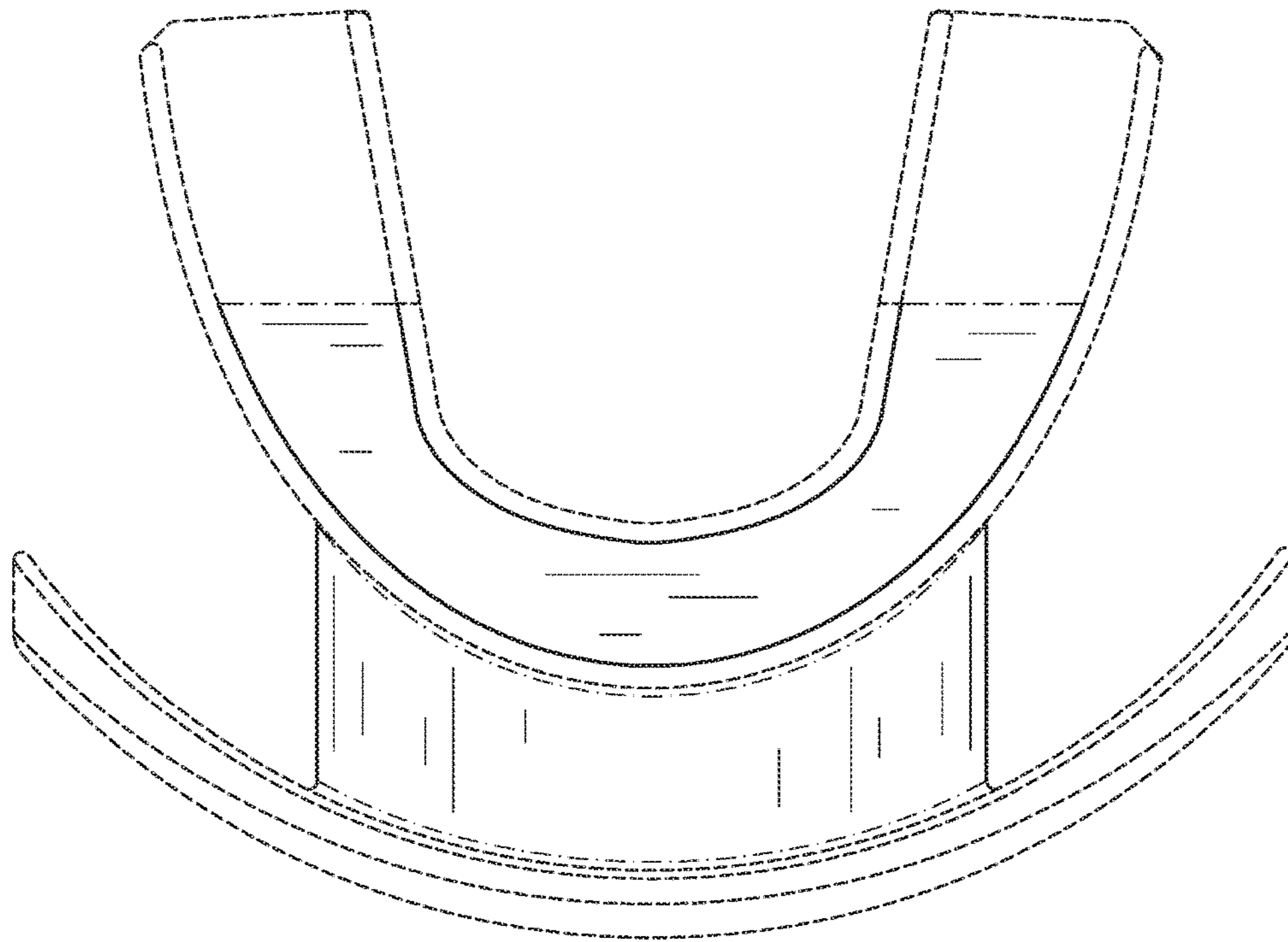


FIG. 1

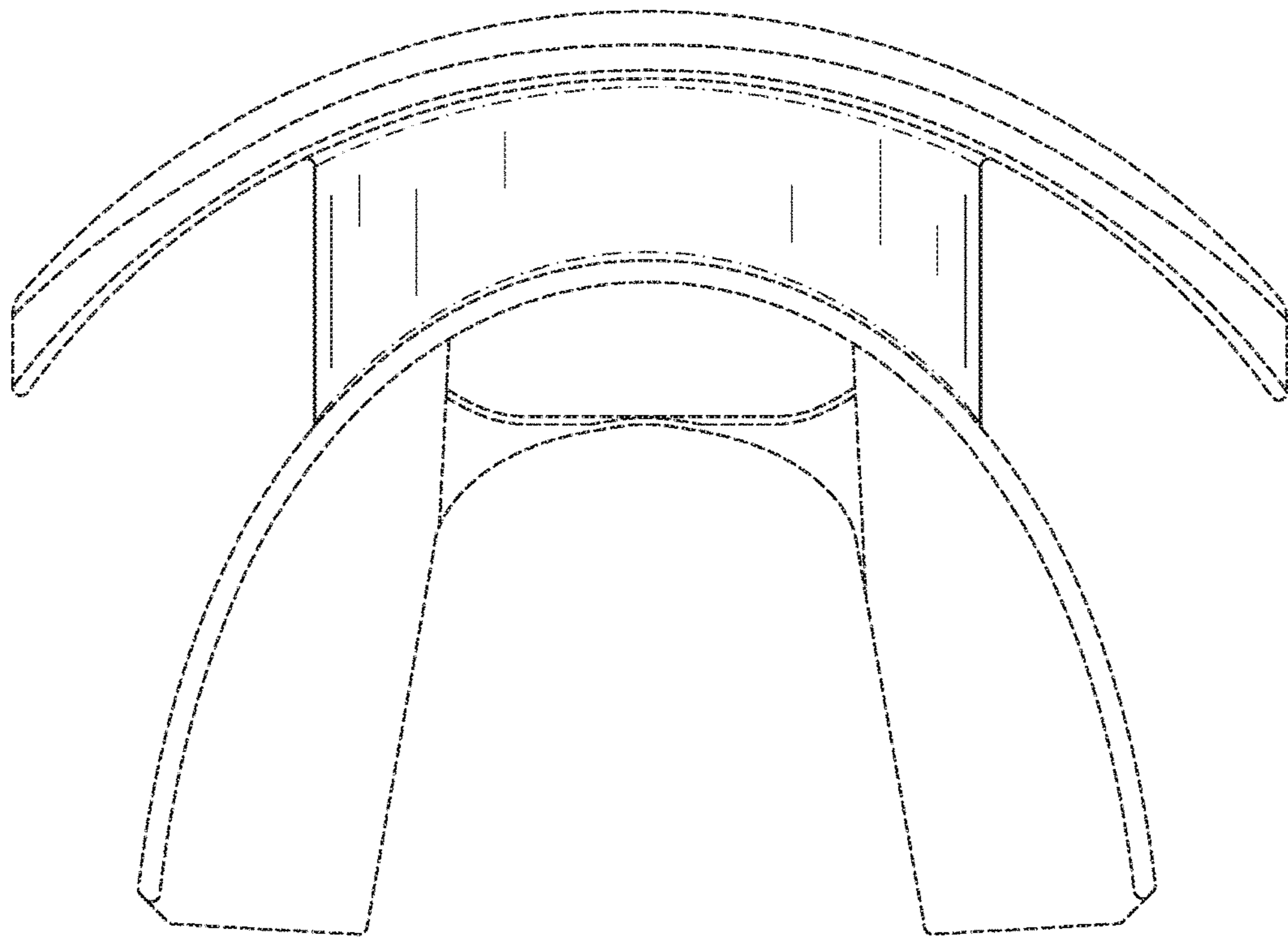


FIG. 2

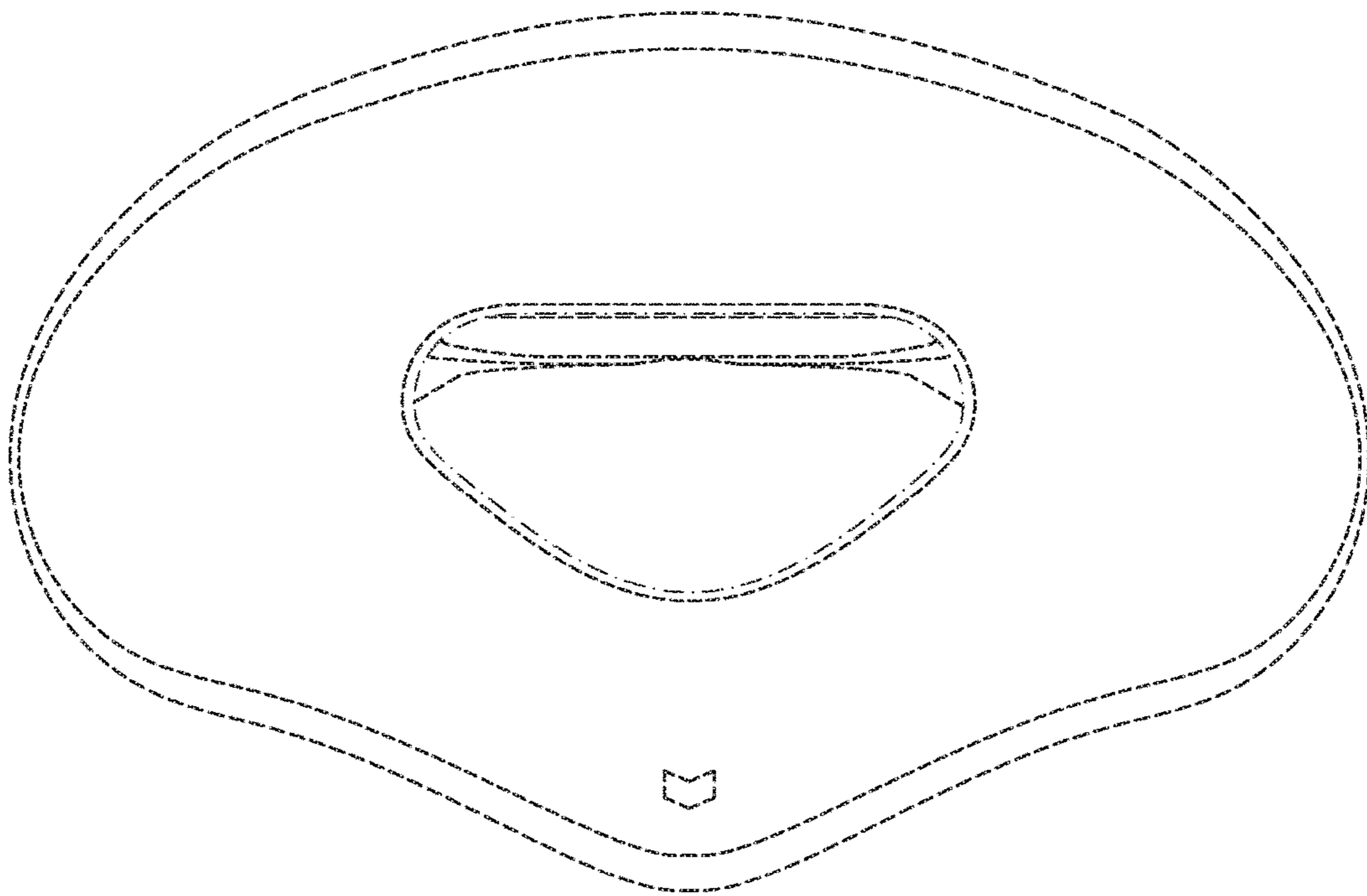


FIG. 3

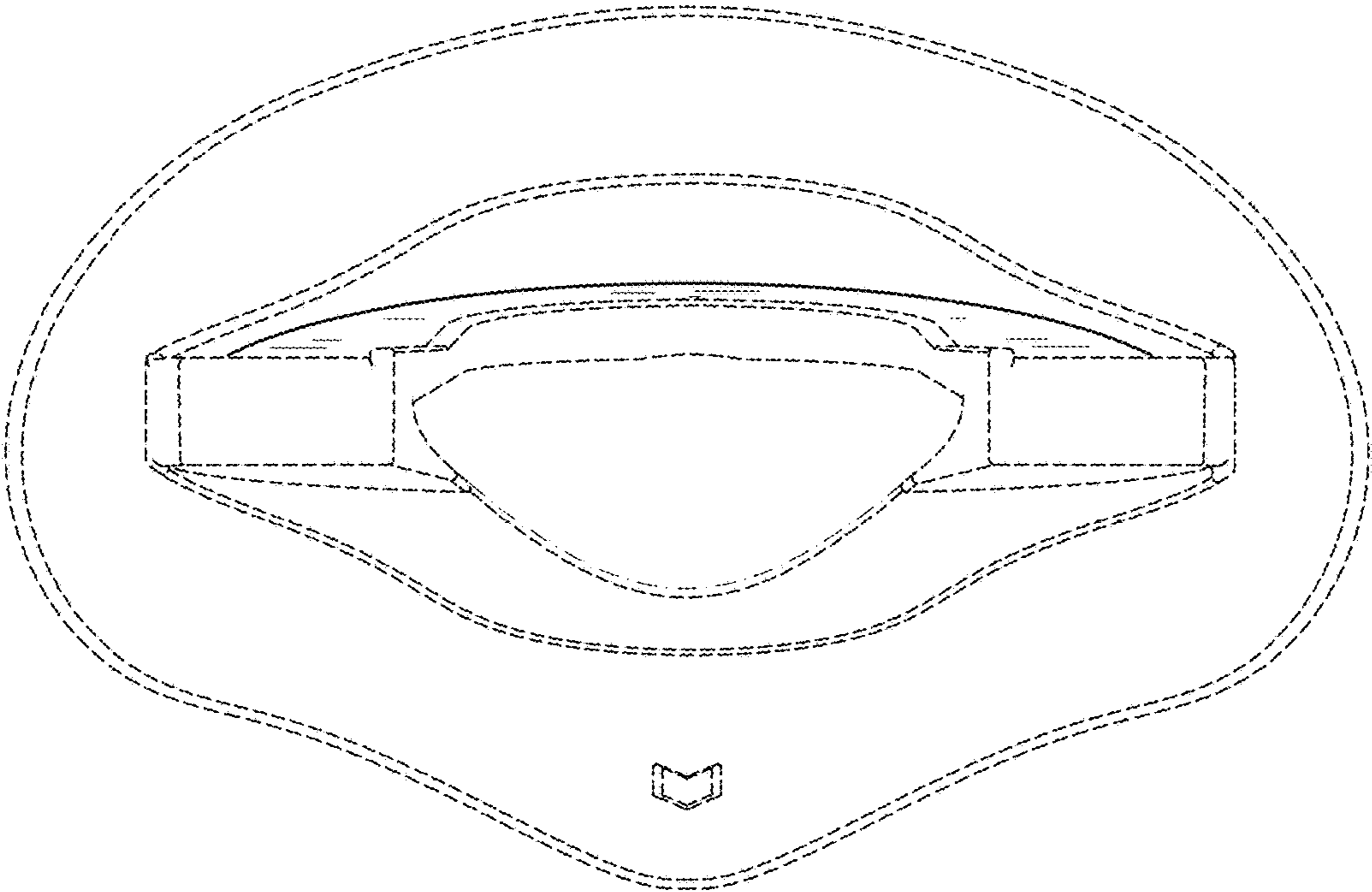


FIG. 4

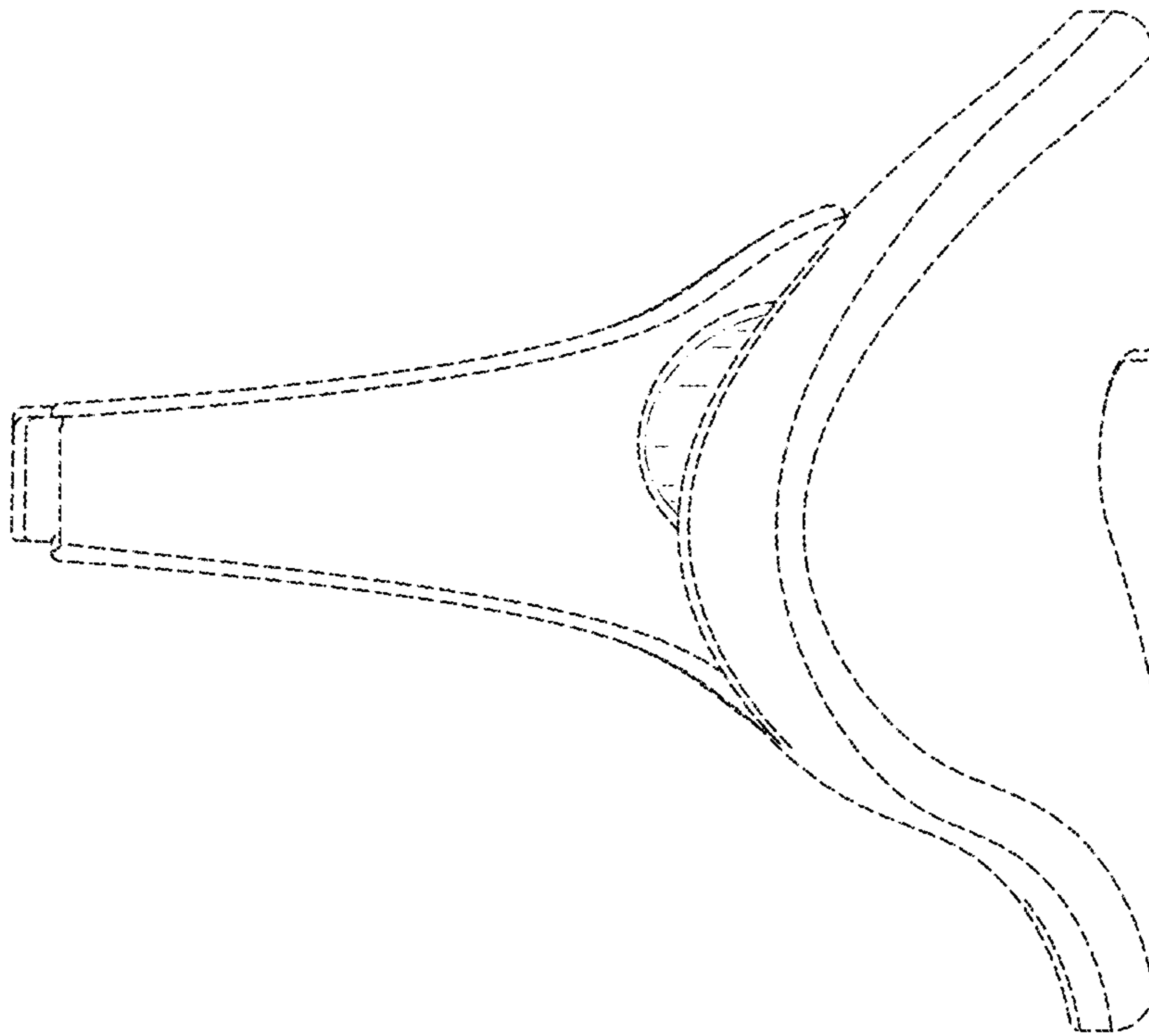


FIG. 5

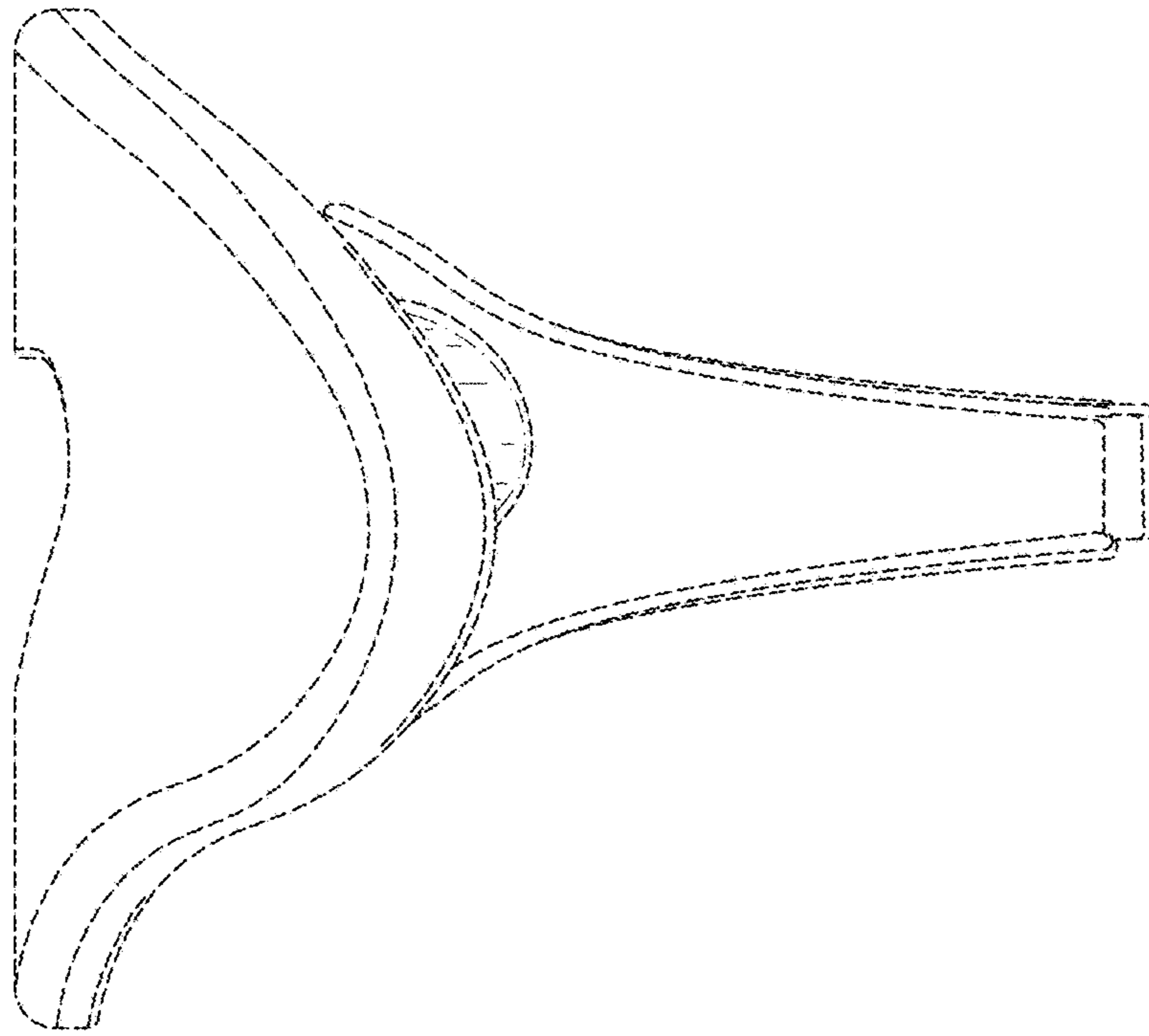


FIG. 6

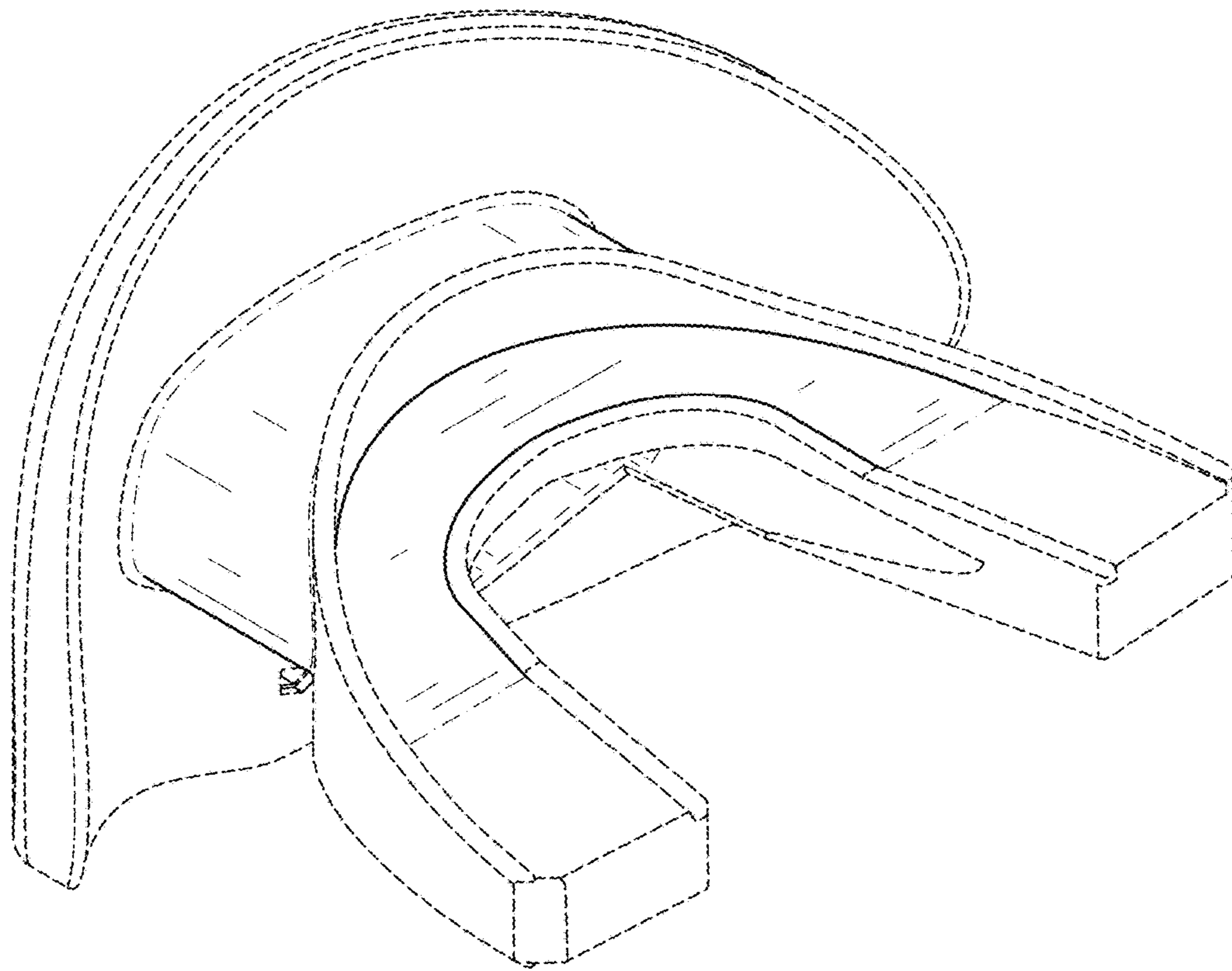


FIG. 7

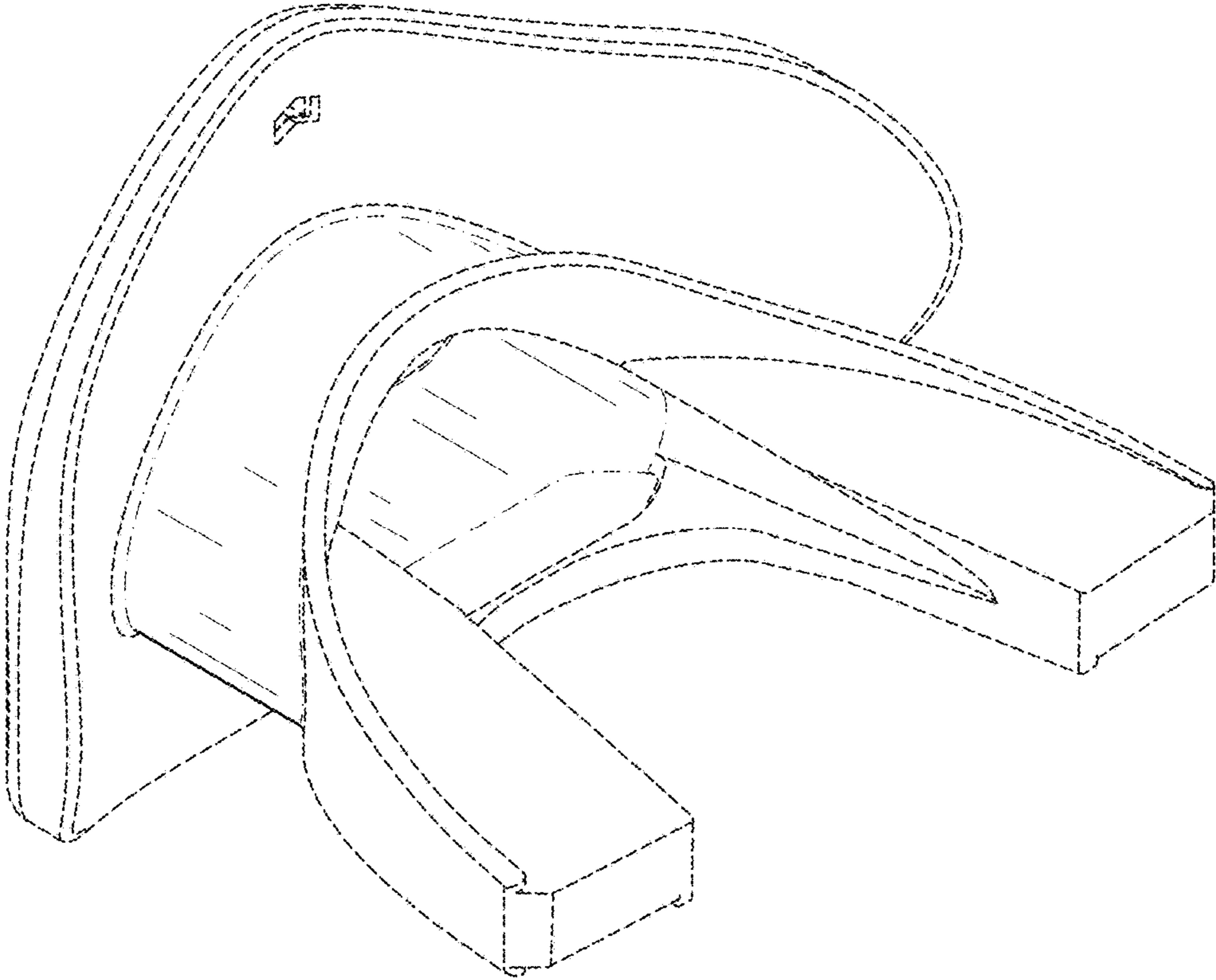


FIG. 8