



US00D807581S

(12) **United States Design Patent**
Bolduc

(10) **Patent No.:** **US D807,581 S**

(45) **Date of Patent:** **** Jan. 9, 2018**

(54) **PERSONAL SHAVER**

(71) Applicant: **Jami Bolduc**, Baxter, MN (US)

(72) Inventor: **Jami Bolduc**, Baxter, MN (US)

(**) Term: **15 Years**

(21) Appl. No.: **29/556,670**

(22) Filed: **Mar. 2, 2016**

(51) **LOC (11) Cl.** **28-03**

(52) **U.S. Cl.**
USPC **D28/47**

(58) **Field of Classification Search**
USPC D28/44, 45-48
CPC B26B 21/54-21/60; B26B 21/00-21/06;
B26B 21/08-21/4031; B26B 21/4043;
B26B 21/4062; B26B 21/4068-21/4075;
B26B 21/44-21/443; B26B 21/52-21/528
See application file for complete search history.

(56) **References Cited**

U.S. PATENT DOCUMENTS

1,030,023	A *	6/1912	Shannon	B26B 21/28	30/346.51
1,506,533	A *	8/1924	Klecka	B26B 21/18	30/346.57
2,086,426	A *	7/1937	MacKenzie	B26B 21/20	30/346.52
2,863,213	A *	12/1958	Rypysc	B26B 21/20	30/346.52
3,409,982	A	11/1968	Baker et al.			
4,128,937	A *	12/1978	Adorney	B26B 21/222	30/47
4,534,110	A *	8/1985	Glass	B26B 21/20	30/346.57
4,663,843	A *	5/1987	Savage	B26B 21/22	30/48

4,791,724	A *	12/1988	Dumas	B26B 21/18	30/48
5,778,535	A *	7/1998	Ledesma	B26B 21/22	30/346.57
8,726,520	B1 *	5/2014	Abraham	B26B 21/22	30/32
8,914,980	B2 *	12/2014	Solomennikov	B26B 21/28	30/48
2003/0084573	A1 *	5/2003	Kludjian	B26B 21/22	30/50
2003/0182802	A1	10/2003	Vega et al.			
2004/0055159	A1	3/2004	Khomari			
2009/0013534	A1 *	1/2009	Mallaridas	B26B 21/22	30/41

* cited by examiner

Primary Examiner — Jennifer Rivard

(74) *Attorney, Agent, or Firm* — Westman, Champlin & Koehler, P.A.; Amanda M. Prose

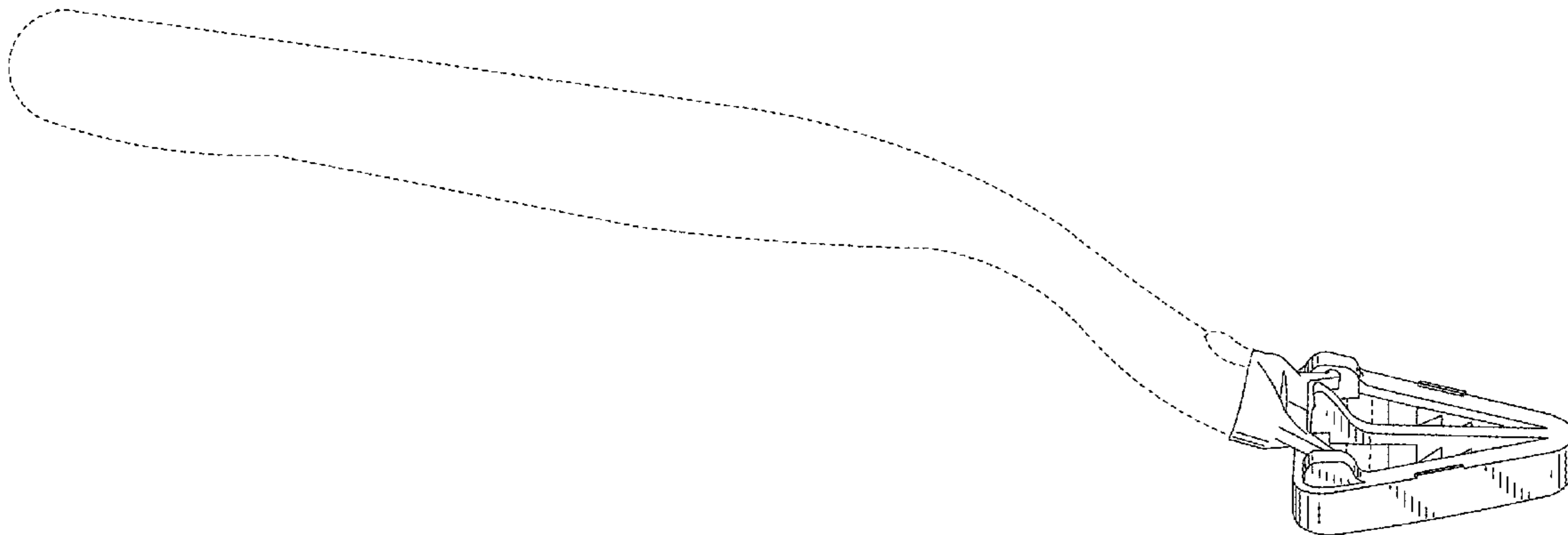
(57) **CLAIM**

The ornamental design for a personal shaver, as shown and described.

DESCRIPTION

FIG. 1 is a top perspective view of a personal shaver; FIG. 2 is a bottom perspective view of the personal shaver; FIG. 3 is a top plan view of the personal shaver; FIG. 4 is a bottom plan view of the personal shaver; FIG. 5 is a front elevation view of the personal shaver; FIG. 6 is a rear elevation view of the personal shaver; FIG. 7 is a right side elevation view of the personal shaver; and, FIG. 8 is a left side elevation view of the personal shaver. The evenly spaced broken lines illustrate portions of the personal shaver and form no part of the claimed design. The dash-dot-dash broken line illustrates the bounds of the claim and forms no part of the claimed design.

1 Claim, 4 Drawing Sheets



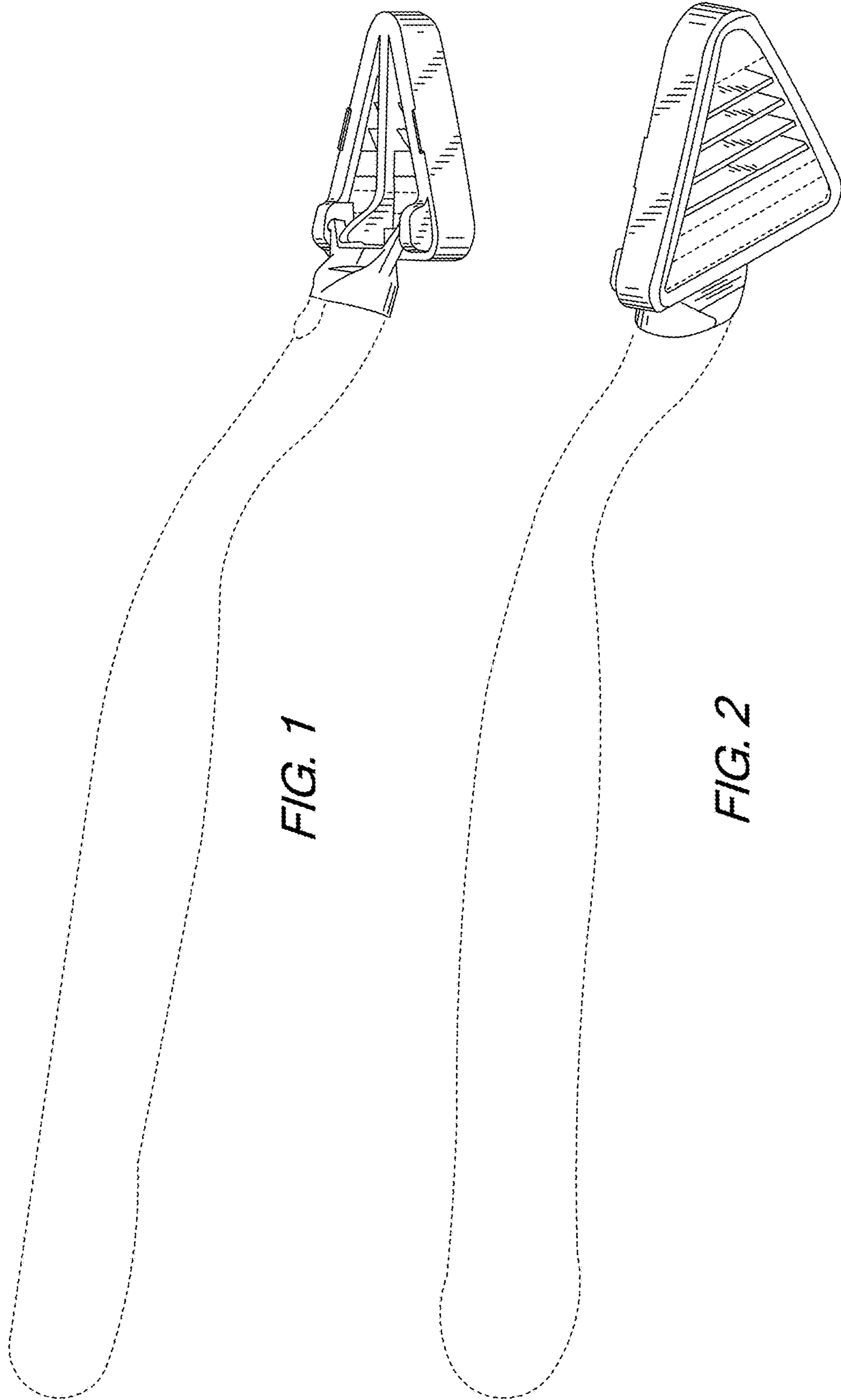


FIG. 1

FIG. 2

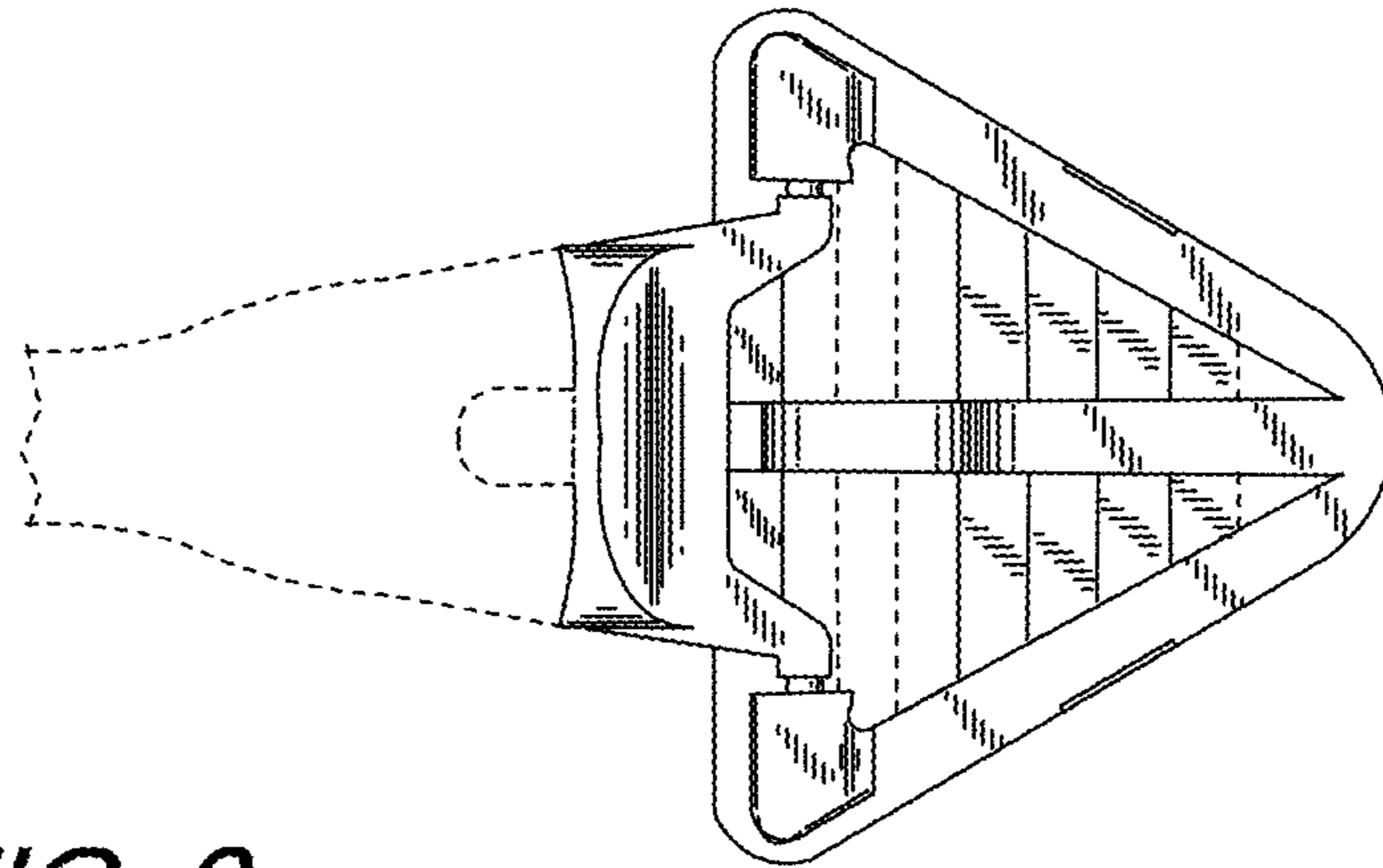


FIG. 3

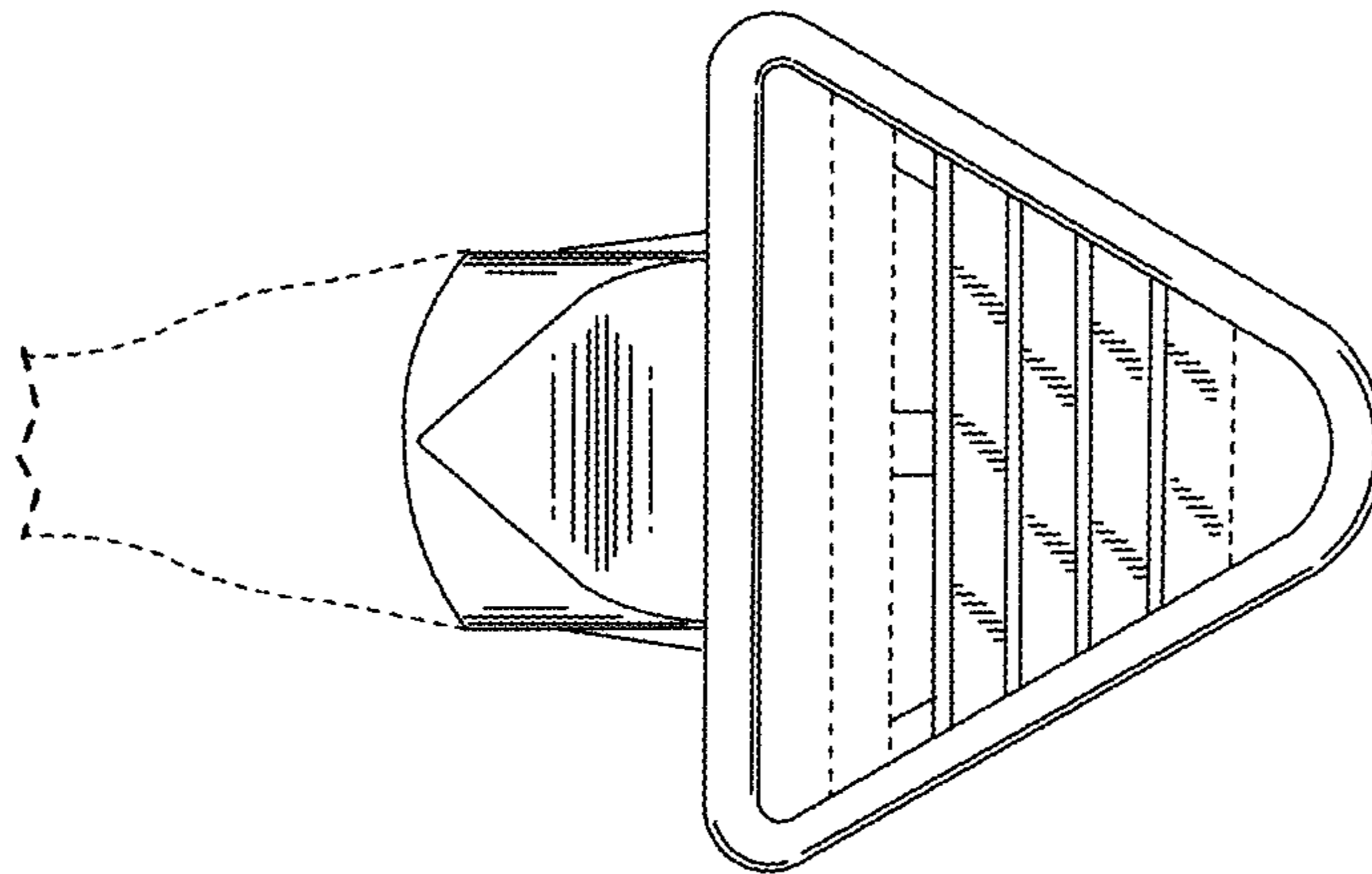


FIG. 4

FIG. 5

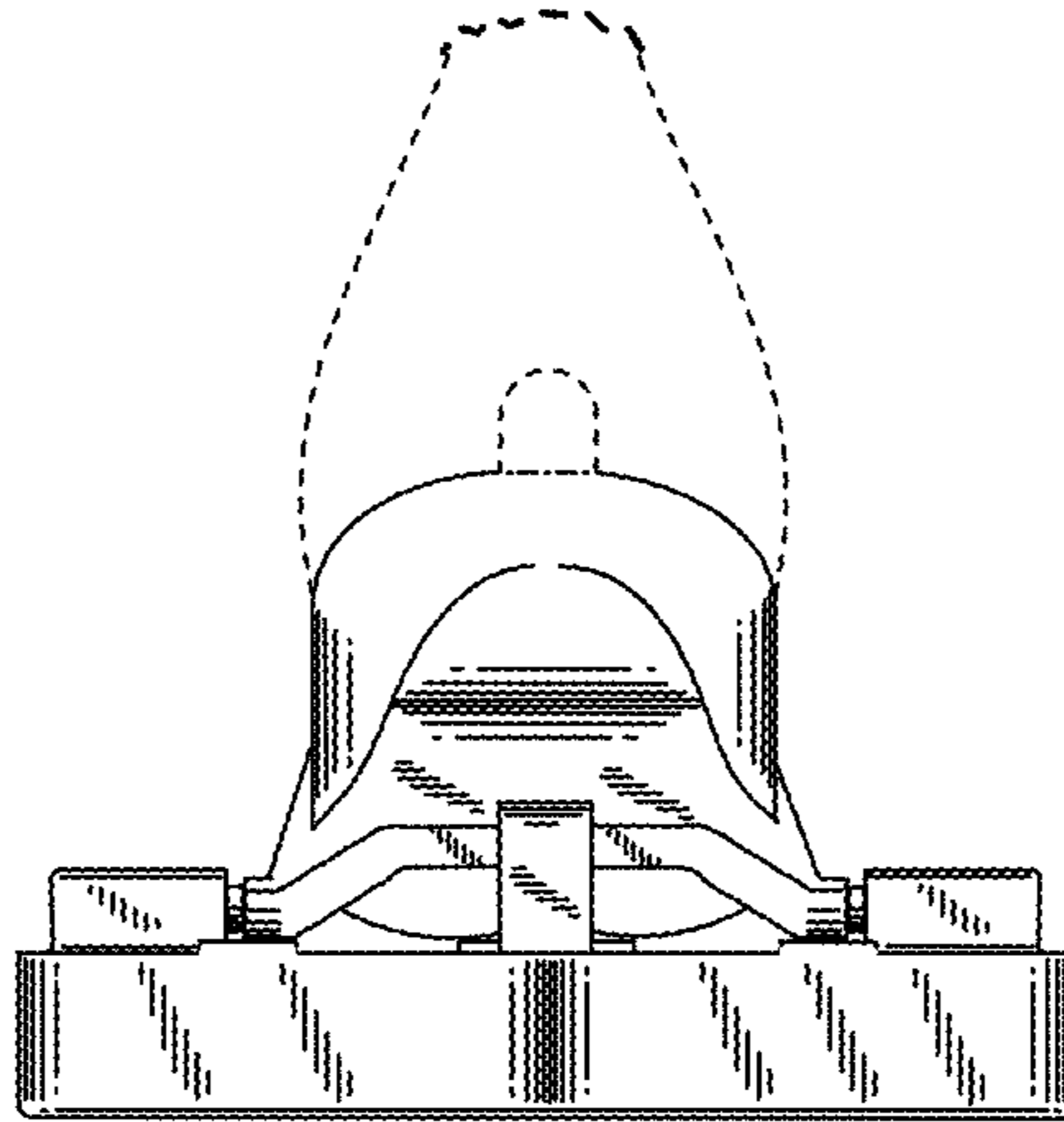


FIG. 6

