



US00D807580S

(12) **United States Design Patent**
Nagata

(10) **Patent No.:** **US D807,580 S**
(45) **Date of Patent:** **** Jan. 9, 2018**

(54) **APPLICATOR FOR LIP GLOSS**
(71) Applicant: **Kaori Nagata**, Tokyo (JP)
(72) Inventor: **Kaori Nagata**, Tokyo (JP)
(73) Assignee: **SHISEIDO CO., LTD.**, Tokyo (JP)
(**) Term: **15 Years**
(21) Appl. No.: **29/585,803**

8,051,860 B1 * 11/2011 Pereira A45D 40/30
101/405
8,834,052 B2 * 9/2014 Kim A45D 40/18
132/317
D717,995 S * 11/2014 Thompson A45D 34/04
D28/7
D742,590 S * 11/2015 Johnson D28/7
D758,008 S * 5/2016 Kolby D28/7
D778,496 S * 2/2017 Ooba D28/7
D787,742 S * 5/2017 Cash D28/7
D787,743 S * 5/2017 Rosenthal D28/7
9,717,892 B2 * 8/2017 Kaufman A61M 35/006
D799,115 S * 10/2017 Brown D28/7

(22) Filed: **Nov. 29, 2016**
(51) **LOC (11) Cl.** **28-02**
(52) **U.S. Cl.**
USPC **D28/7**
(58) **Field of Classification Search**
USPC D28/7, 8, 82, 83, 85, 73; D9/723-725;
15/209.1, 210.1, 210.5, 106, 107;
132/317, 118, 320
CPC A45D 2200/10; A45D 2200/1009; A45D
2200/1036; A45D 2200/1063; A45D
40/262; A61M 35/00; A61M 35/003
See application file for complete search history.

* cited by examiner

Primary Examiner — Susan Bennett Hattan
Assistant Examiner — Rebecca Tsehaye
(74) *Attorney, Agent, or Firm* — Manabu Kanesaka

(56) **References Cited**

U.S. PATENT DOCUMENTS

2,218,862 A * 10/1940 Vredenburg A45D 40/28
132/317
D305,369 S * 1/1990 Gavin D28/7
6,039,053 A * 3/2000 Turrentine A45D 40/262
132/317
D497,218 S * 10/2004 Von D28/7
D503,229 S * 3/2005 Davis D24/119
D527,143 S * 8/2006 Fischer D28/7

(57) **CLAIM**

The ornamental design for an applicator for lip gloss, as shown and described.

DESCRIPTION

FIG. 1 is a perspective view of an applicator for lip gloss showing my new design;
FIG. 2 is a front view thereof, a rear view being identical to the front view thereof;
FIG. 3 is a plan view thereof;
FIG. 4 is a bottom view thereof; and,
FIG. 5 is a right side view thereof, a left side view being identical to the right side view thereof.
The broken lines depict portions of the applicator for lip gloss that form no part of claimed design.

1 Claim, 3 Drawing Sheets

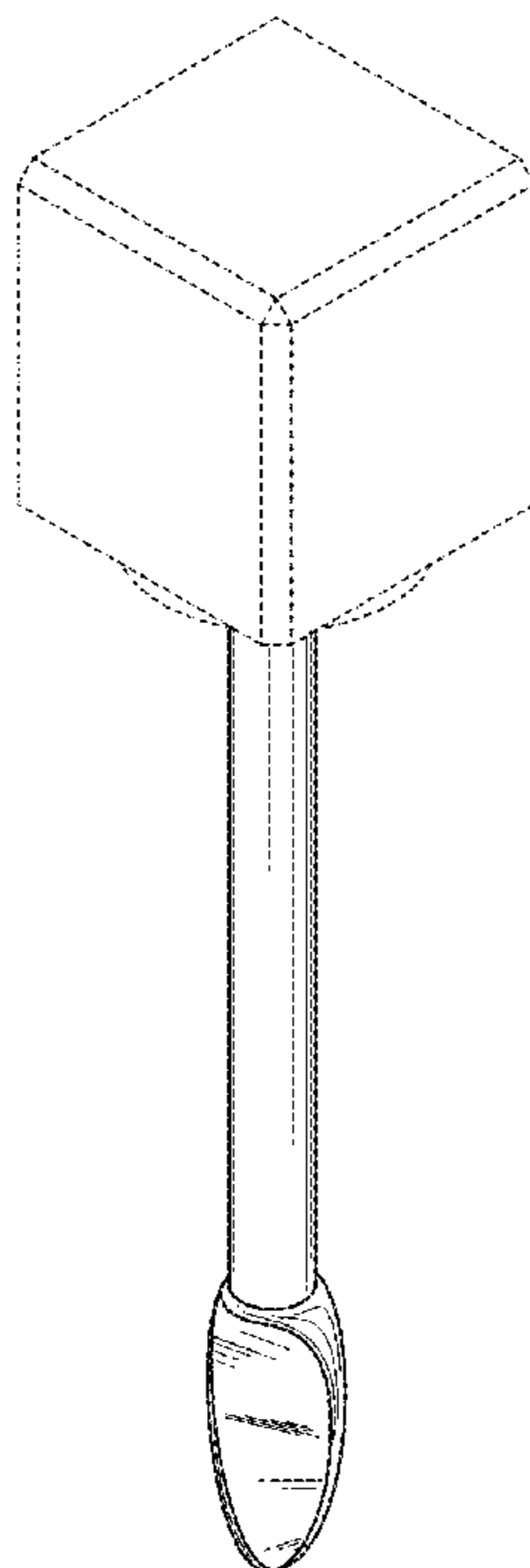


Fig. 1

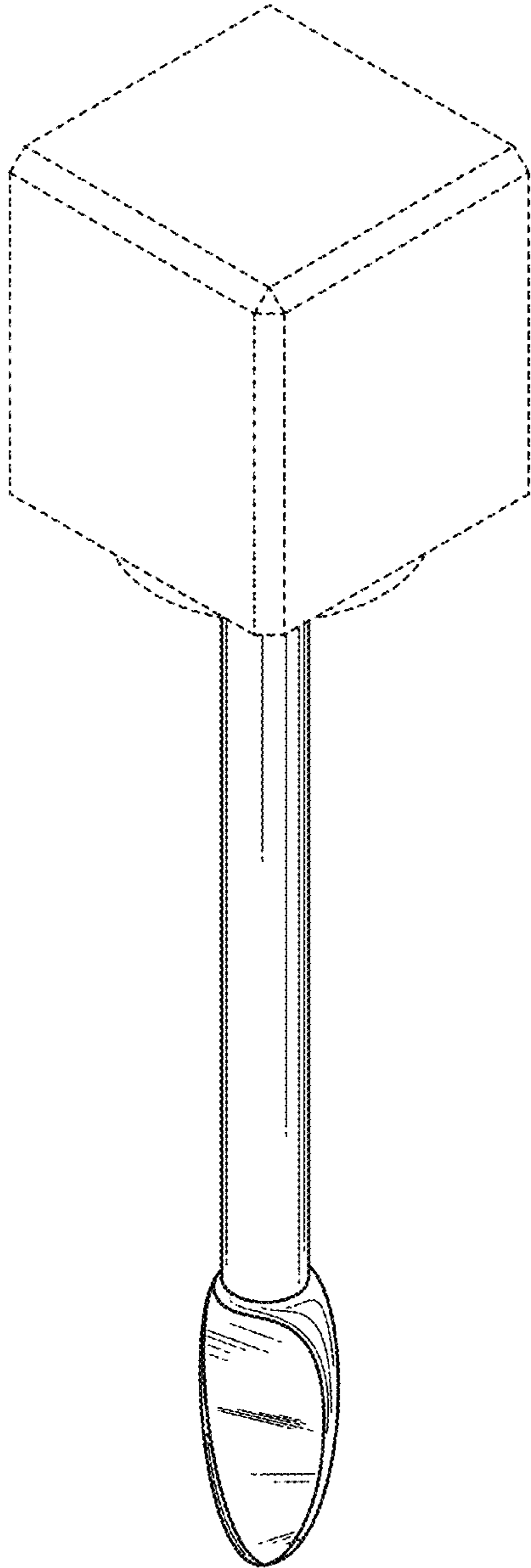


Fig. 2

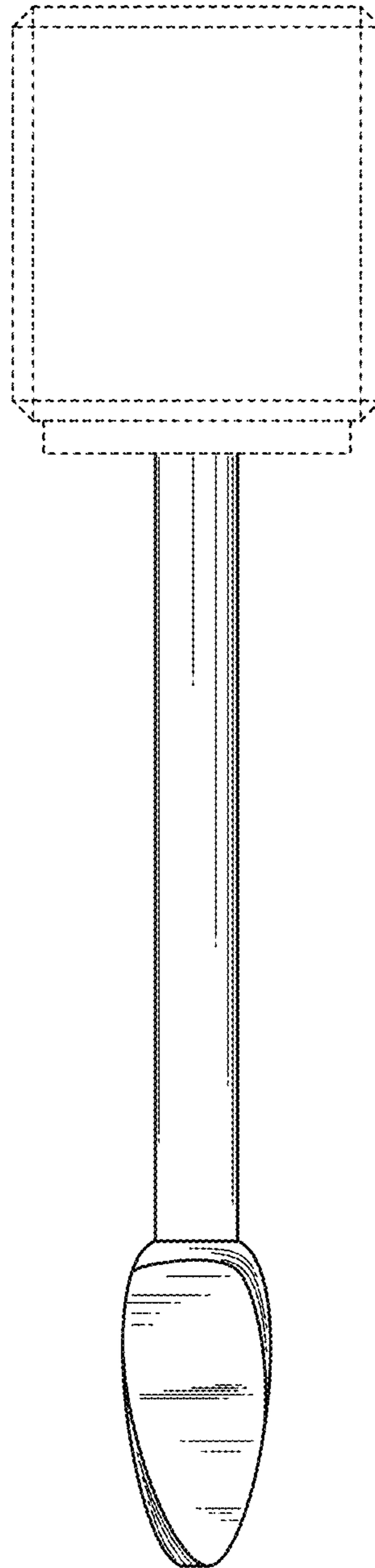


Fig.3

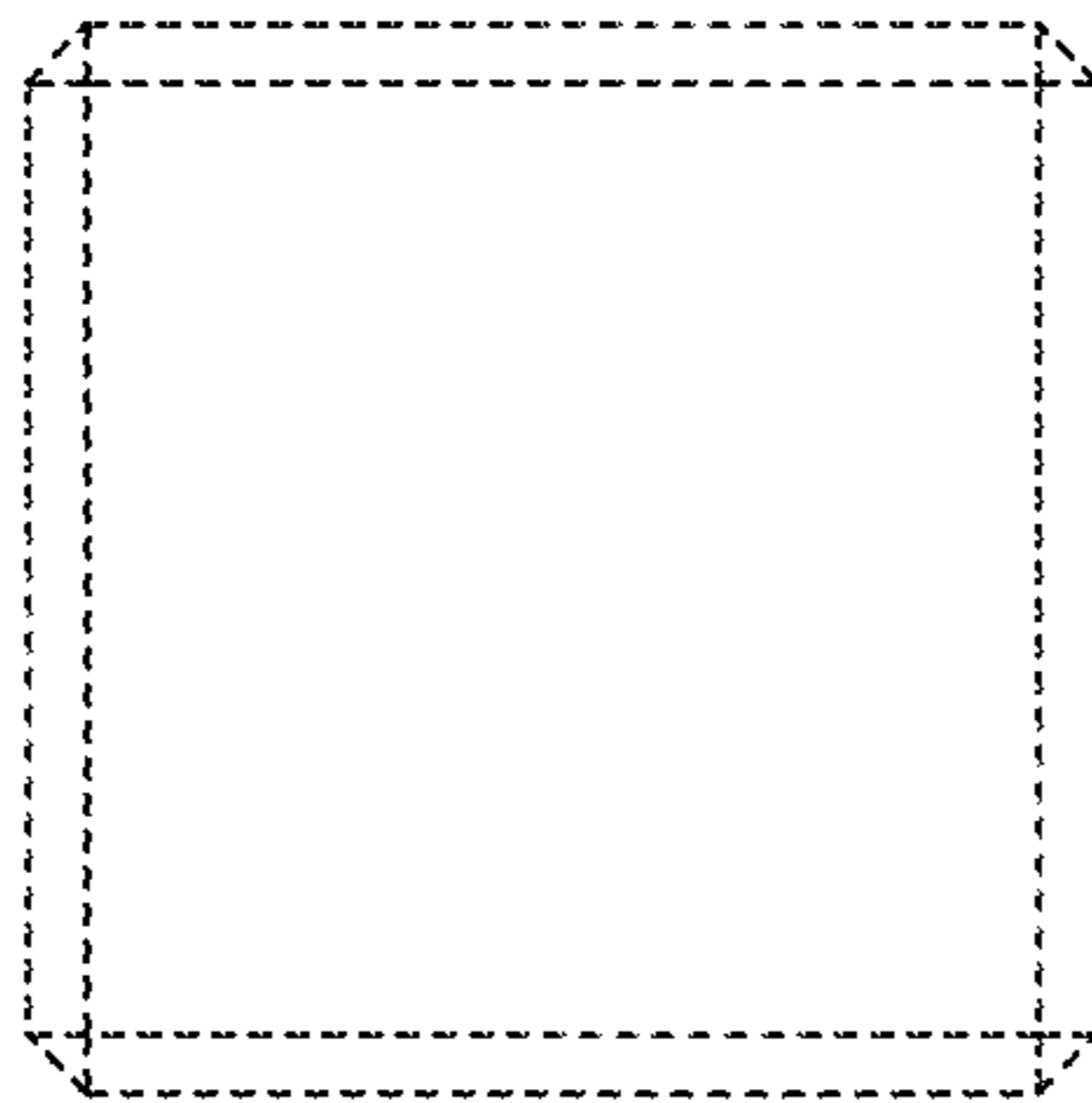


Fig.4

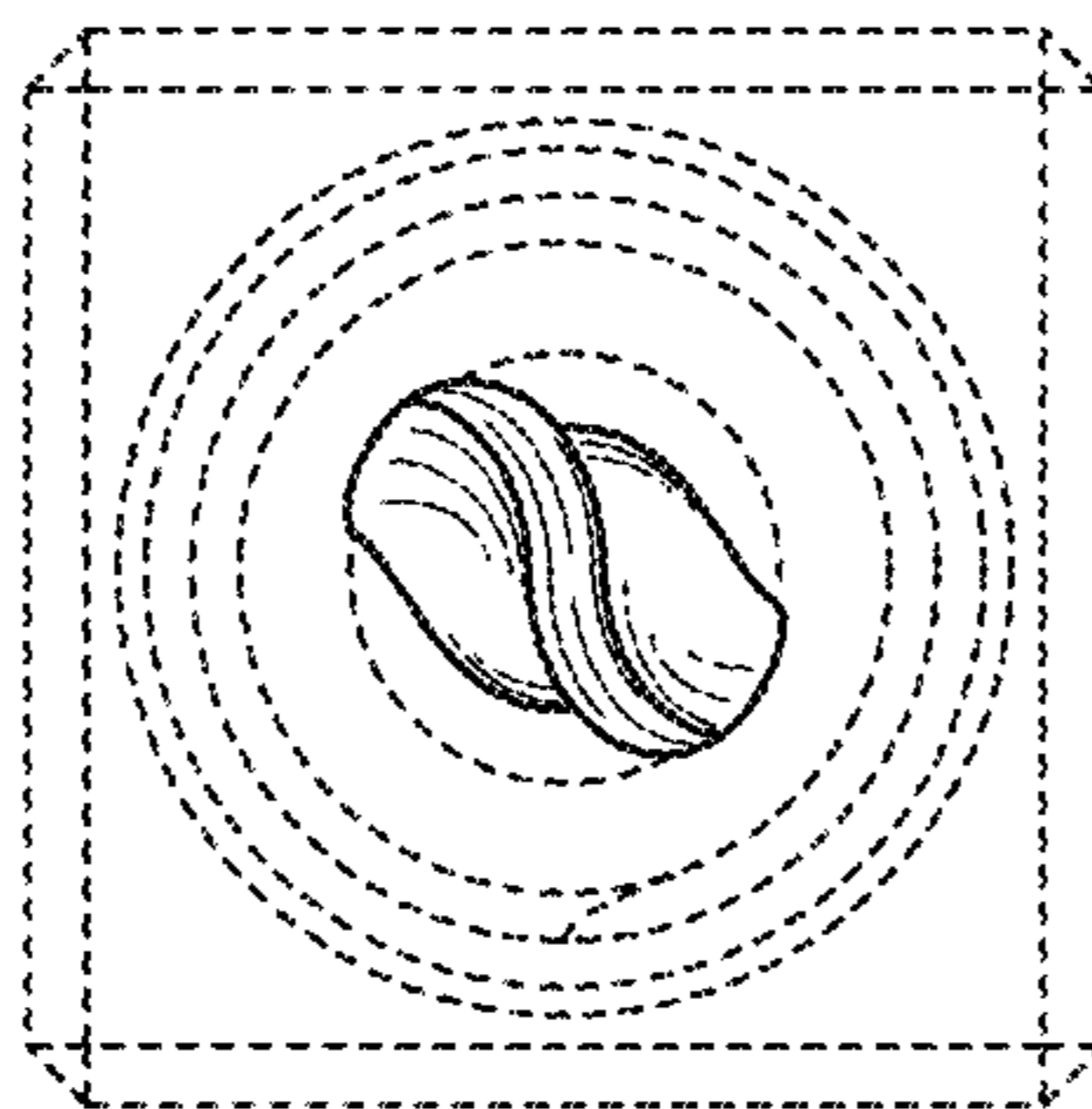


Fig. 5

