



US00D807578S

(12) **United States Design Patent** (10) **Patent No.:** **US D807,578 S**
Barkowski (45) **Date of Patent:** **** Jan. 9, 2018**

(54) **CIGARETTE HOLDER**
(71) Applicant: **Tristan Barkowski**, Bottrop (DE)
(72) Inventor: **Tristan Barkowski**, Bottrop (DE)
(**) Term: **15 Years**
(21) Appl. No.: **35/501,523**
(22) Filed: **Aug. 21, 2016**

(80) **Hague Agreement Data**
Int. Filing Date: **Aug. 21, 2016**
Int. Reg. No.: **DM/092270**
Int. Reg. Date: **Aug. 21, 2016**
Int. Reg. Pub. Date: **Sep. 9, 2016**
(51) **LOC (11) Cl.** **27-02**
(52) **U.S. Cl.**
USPC **D27/170**
CPC **A24F 7/00 (2013.01)**
(58) **Field of Classification Search**
USPC D27/170-172, 183, 193, 137, 138;
131/187-190, 198.1, 227, 175
CPC A24F 7/00; A24F 7/02; A24F 7/04; A24F
47/002; A24F 47/008; A24F 47/00; A24F
47/004; A24F 47/006; A61M 15/06
See application file for complete search history.

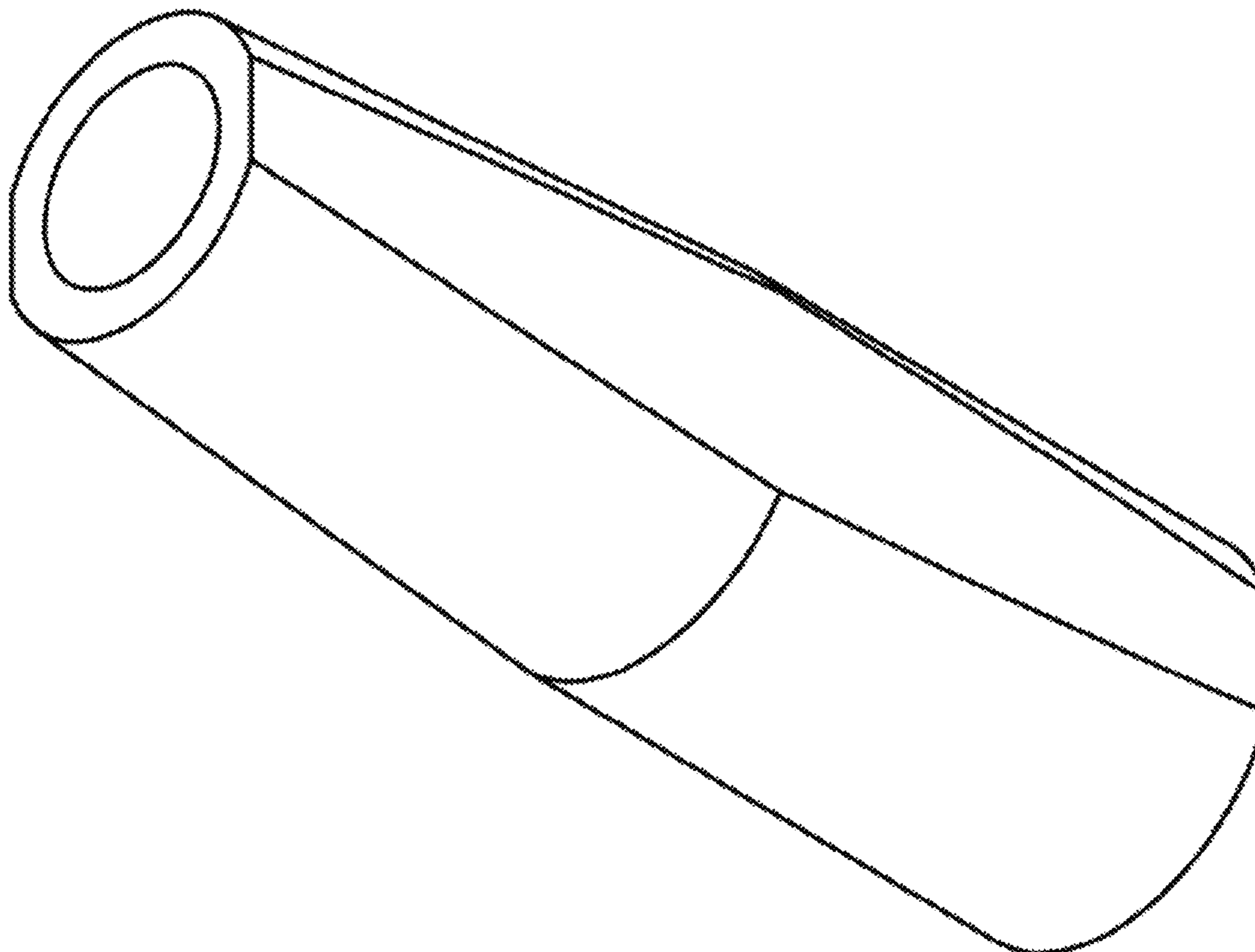
(56) **References Cited**
U.S. PATENT DOCUMENTS
D401,011 S * 11/1998 Sloan, II D27/183
D485,639 S * 1/2004 Stronski D27/170
D492,065 S * 6/2004 Chang D27/170
D588,741 S * 3/2009 Murdaugh, III D27/169
D741,540 S * 10/2015 Freese D27/170
D754,921 S * 4/2016 Chaisty D27/194
D757,352 S * 5/2016 Bagai D27/101
D766,503 S * 9/2016 Liu D27/167

* cited by examiner
Primary Examiner — Richard E Chilcot

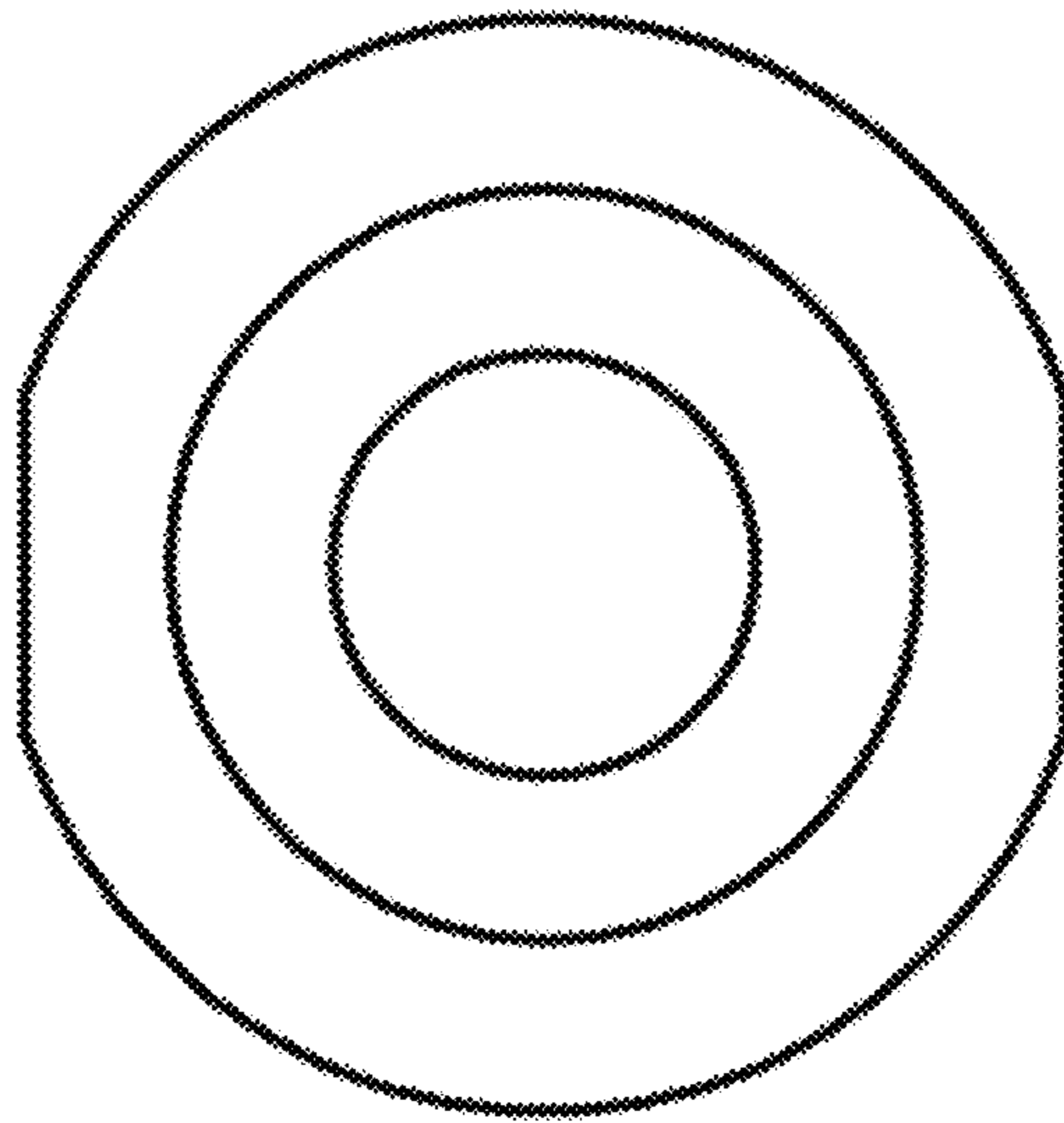
(57) **CLAIM**
The ornamental design for a cigarette holder, as shown and described.

DESCRIPTION
1. Cigarette holder
1.1 : Back
1.2 : Top
1.3 : Front
1.4 : Left
1.5 : Perspective
1.6 : Perspective

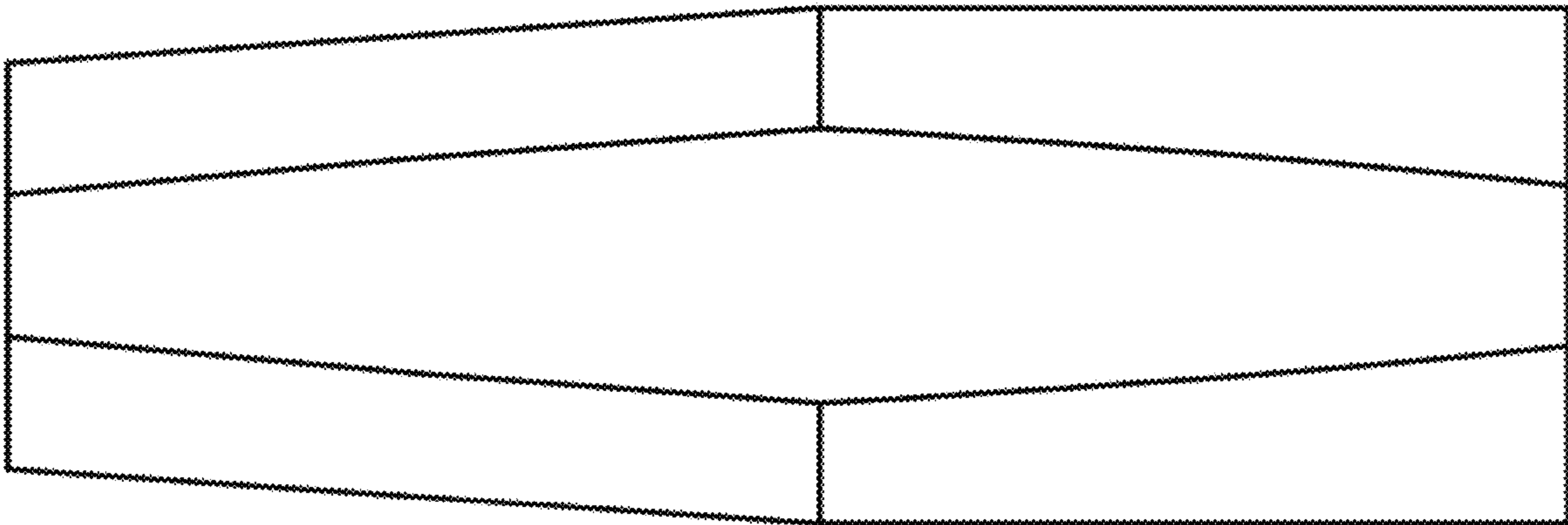
1 Claim, 6 Drawing Sheets



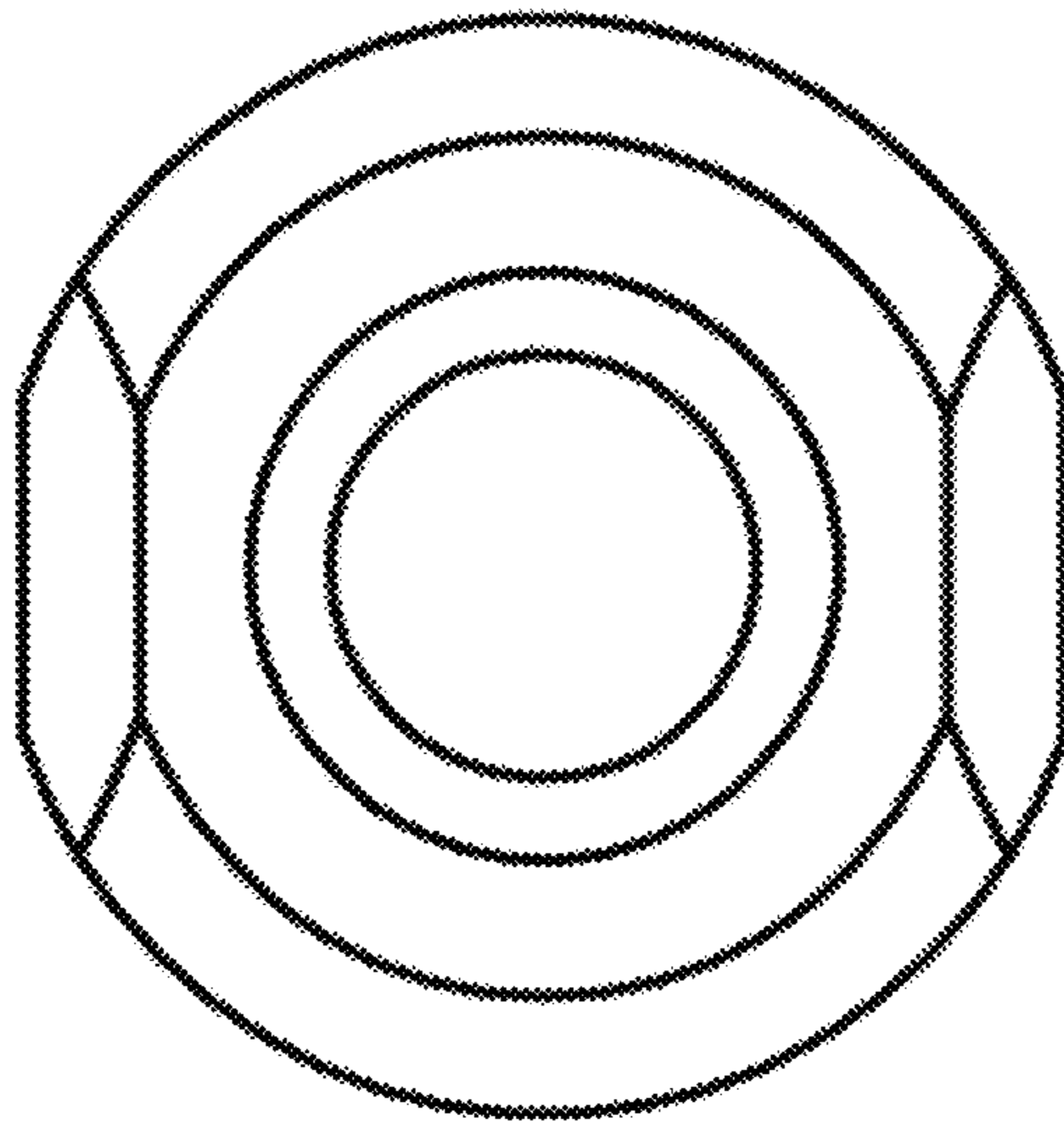
1.1



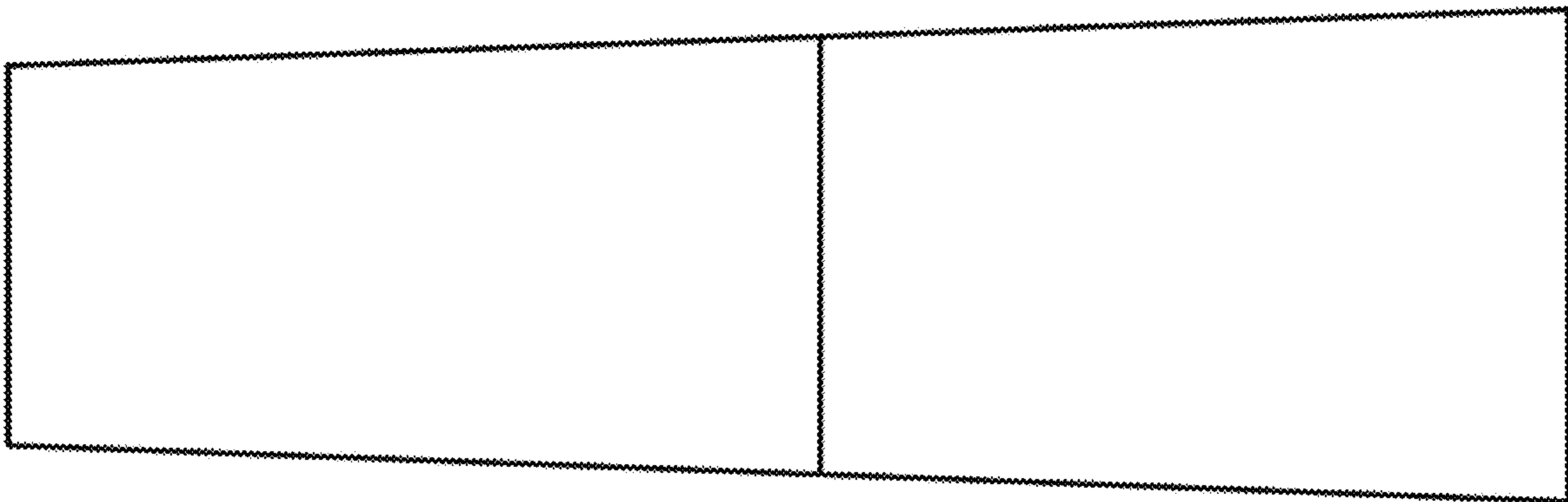
1.2



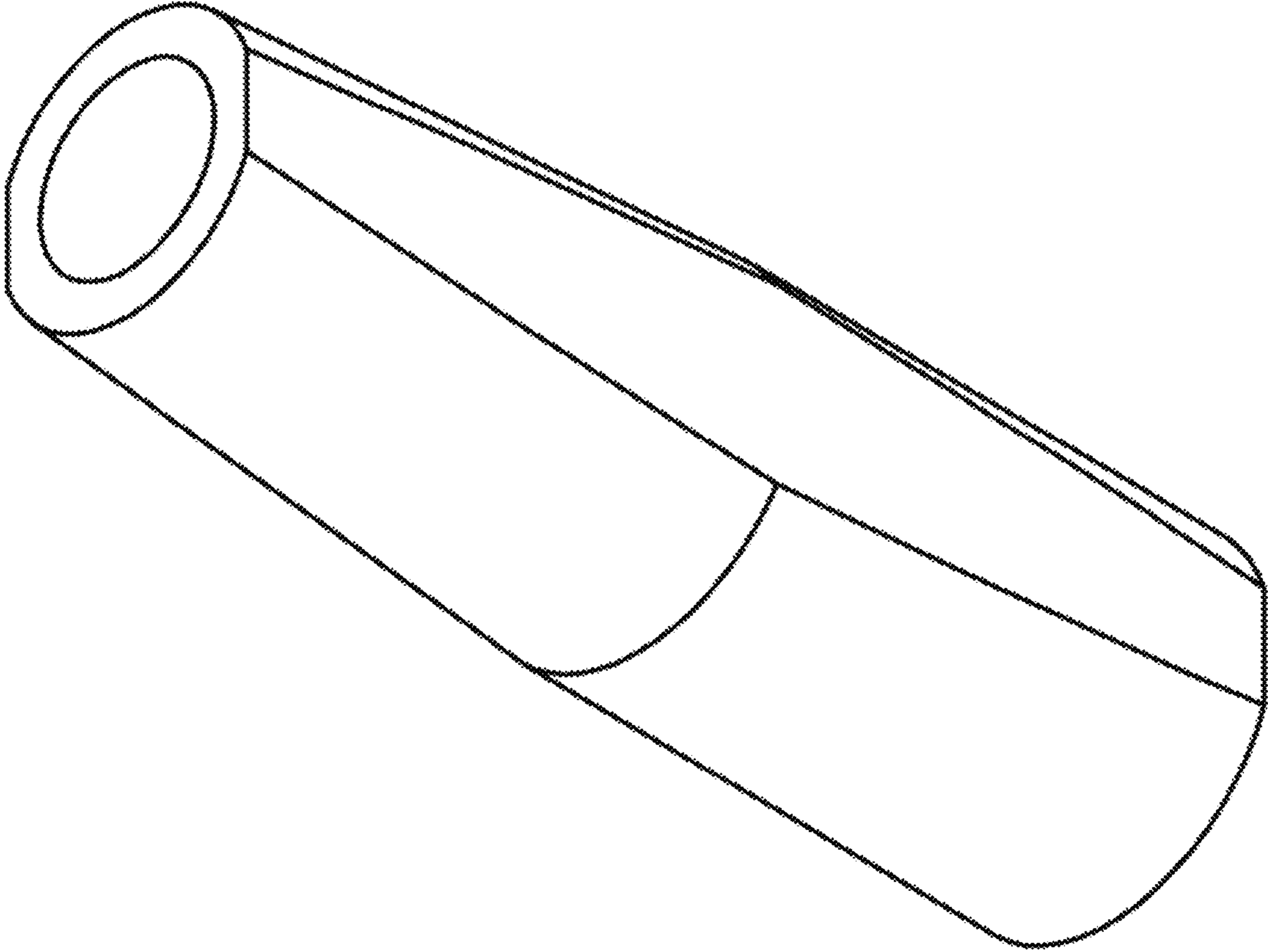
1.3



1.4



1.5



1.6

