



US00D807577S

(12) **United States Design Patent**  
**Ward et al.**

(10) **Patent No.:** **US D807,577 S**  
(45) **Date of Patent:** **\*\* Jan. 9, 2018**

- (54) **DISPENSER FOR E-LIQUID**
- (71) Applicant: **Nerudia Limited**, Liverpool (GB)
- (72) Inventors: **Chris Ward**, Prestatyn (GB); **David Jones**, Manchester (GB)
- (73) Assignee: **Nerudia Limited**, Liverpool (GB)
- (\*\*) Term: **15 Years**
- (21) Appl. No.: **29/576,602**
- (22) Filed: **Sep. 6, 2016**

**Related U.S. Application Data**

- (62) Division of application No. 29/524,733, filed on Apr. 22, 2015, now Pat. No. Des. 768,918.
- (51) **LOC (11) Cl.** ..... **27-02**
- (52) **U.S. Cl.**  
USPC ..... **D27/167**
- (58) **Field of Classification Search**  
USPC ..... D3/203.1, 203.6, 20; D9/432, 686, 724;  
D13/118, 119, 184; D27/100, 139, 141,  
D27/142, 143, 144, 162, 163, 164, 167,  
D27/172-193, 194; D7/300.1, 510, 511  
CPC ..... A24F 47/00; A24F 47/008; H05B 3/03;  
A61M 16/108; A61M 16/10; B65D  
85/1045  
See application file for complete search history.

(56) **References Cited**

**U.S. PATENT DOCUMENTS**

- D373,993 S \* 9/1996 Kettula ..... D13/107
- D399,600 S \* 10/1998 Bowen ..... D27/163
- D405,007 S \* 2/1999 Naas, Sr. .... D27/189
- D431,020 S \* 9/2000 Harjunpaa ..... D13/107
- D480,174 S \* 9/2003 Draghetti ..... D27/189
- D485,939 S \* 1/2004 Draghetti ..... D27/189

- D609,398 S \* 2/2010 Hearn ..... D27/189
- D610,303 S \* 2/2010 Valle ..... D27/189
- D613,904 S \* 4/2010 Wu ..... D27/189
- D616,146 S \* 5/2010 Holford ..... D27/189
- D653,535 S \* 2/2012 Tearle ..... D27/189
- D656,093 S \* 3/2012 Nomi ..... D13/107
- D656,094 S \* 3/2012 Wu ..... D13/108
- D677,000 S \* 2/2013 Liu ..... D27/189
- D677,001 S \* 2/2013 Liu ..... D27/189
- D681,268 S \* 4/2013 Wu ..... D27/189
- D681,269 S \* 4/2013 Wu ..... D27/189
- D683,898 S \* 6/2013 Liu ..... D13/108
- D687,768 S \* 8/2013 Minamikawa ..... D13/107
- D688,418 S \* 8/2013 Liu ..... D13/108
- D692,615 S \* 10/2013 Verleur ..... D27/186
- D693,054 S \* 11/2013 Verleur ..... D27/189
- D700,994 S \* 3/2014 Alarcon ..... D27/189
- D723,734 S \* 3/2015 Liu ..... D27/189
- D723,736 S \* 3/2015 Liu ..... D27/189

(Continued)

*Primary Examiner* — Robert M Spear

*Assistant Examiner* — Marissa J Cash

(74) *Attorney, Agent, or Firm* — McDonnell Boehnen  
Hulbert & Berghoff LLP

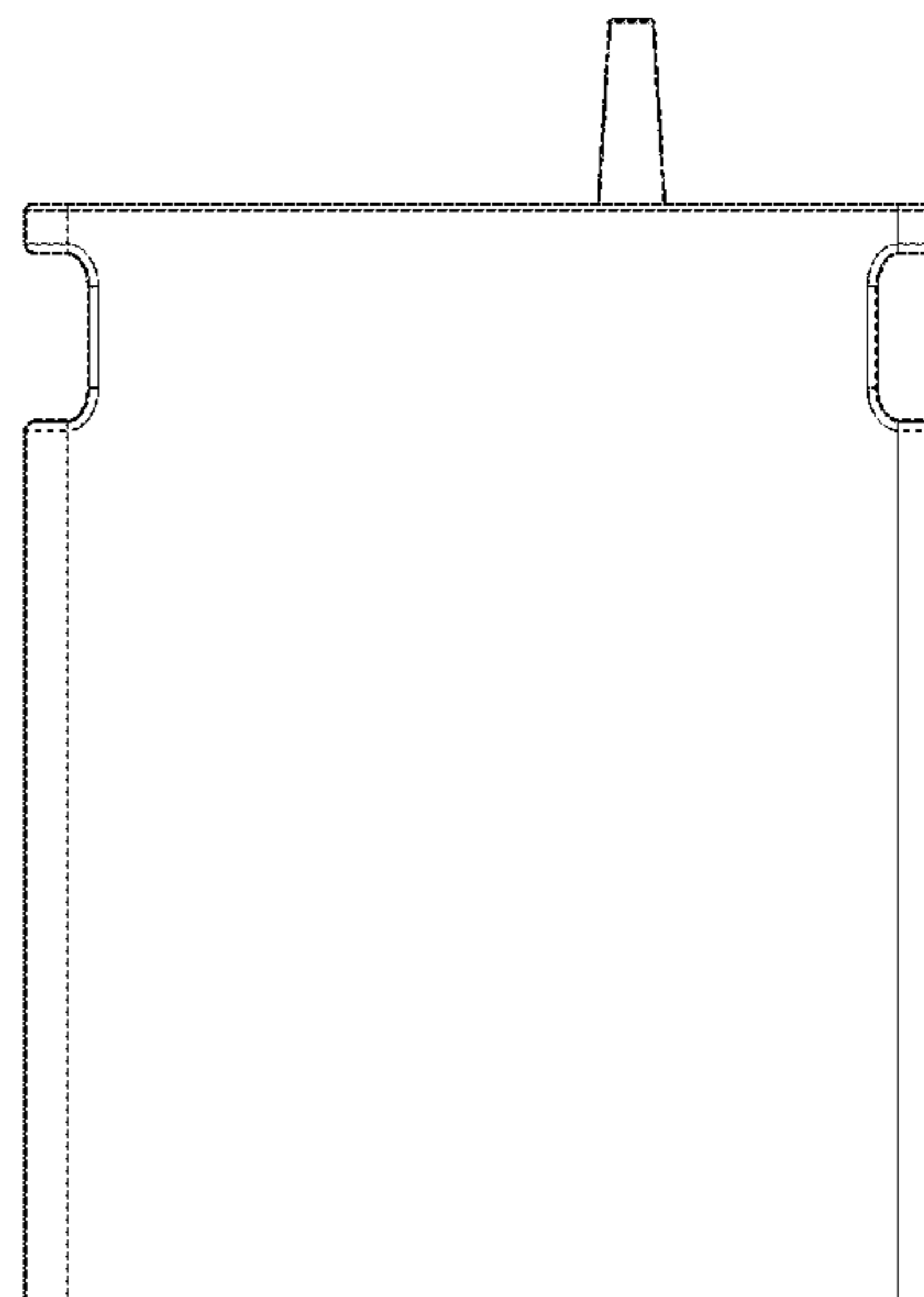
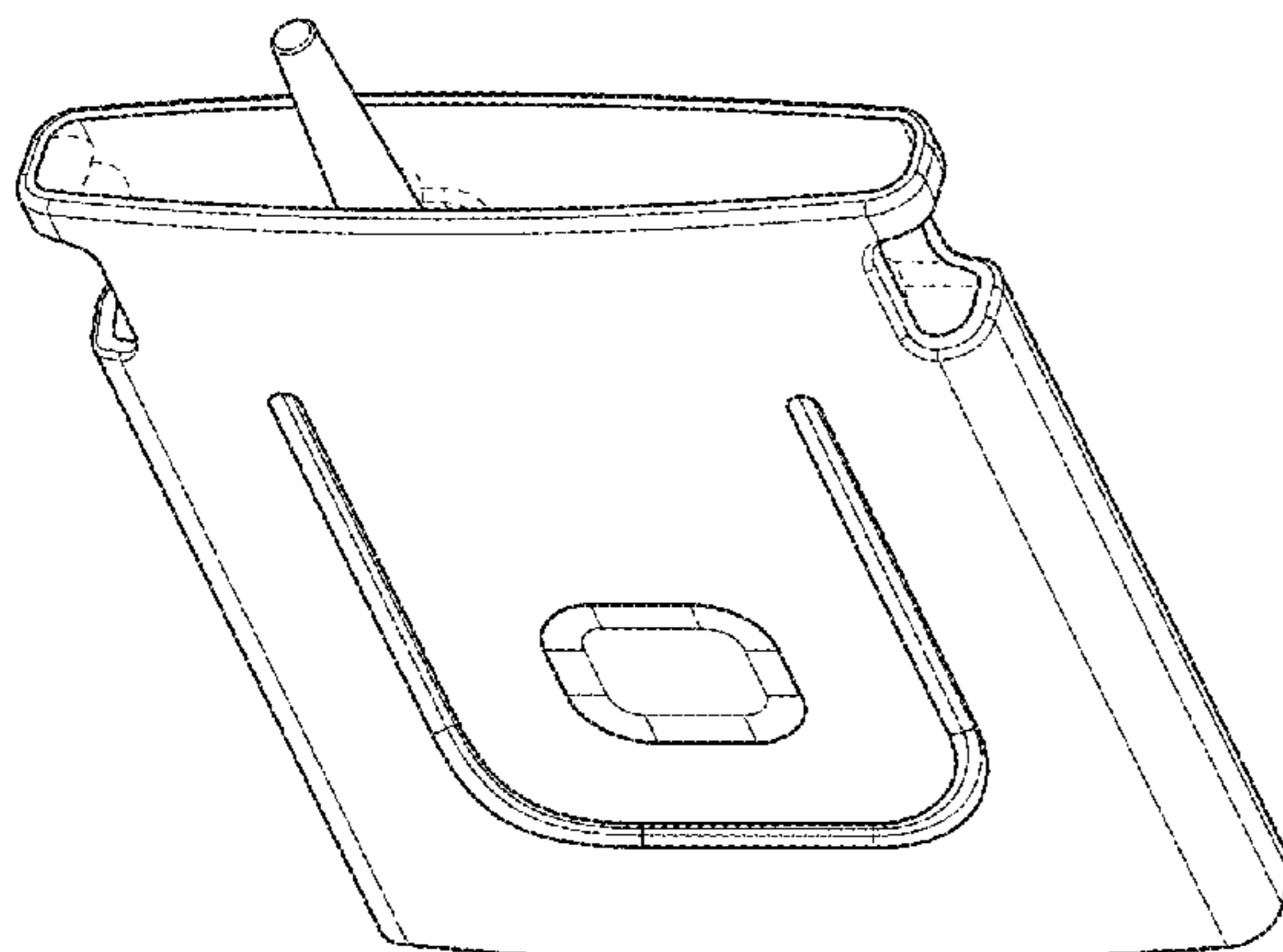
(57) **CLAIM**

The ornamental design for a dispenser for e-liquid, as shown and described.

**DESCRIPTION**

FIG. 1 is a perspective view of a dispenser for e-liquid of the present design;  
 FIG. 2 is a front view thereof;  
 FIG. 3 is a rear view thereof;  
 FIG. 4 is a top view thereof;  
 FIG. 5 is a bottom view thereof;  
 FIG. 6 is a left side view thereof; and,  
 FIG. 7 is a right side view thereof.  
 In the drawings, the broken lines depict environmental subject matter only and form no part of the claimed design.

**1 Claim, 3 Drawing Sheets**



(56)

**References Cited**

U.S. PATENT DOCUMENTS

D723,737 S \* 3/2015 Liu ..... D27/189  
8,978,663 B2 \* 3/2015 Newton ..... A24F 47/008  
131/347  
D733,651 S \* 7/2015 Liu ..... D13/108  
D736,456 S \* 8/2015 Liu ..... D27/189  
D736,458 S \* 8/2015 Liu ..... D27/189  
D736,996 S \* 8/2015 Liu ..... D27/189  
D737,505 S \* 8/2015 Liu ..... D27/189  
D771,309 S \* 11/2016 Ward ..... D27/167  
D779,726 S \* 2/2017 Bennett ..... D27/189  
2013/0342157 A1 \* 12/2013 Liu ..... A24F 15/18  
320/107  
2014/0196736 A1 \* 7/2014 Fernando ..... A24F 47/008  
131/329  
2015/0008150 A1 \* 1/2015 Liu ..... A24F 15/12  
206/268  
2015/0114410 A1 \* 4/2015 Doster ..... A24F 47/008  
131/329  
2015/0196053 A1 \* 7/2015 Liu ..... A24F 15/18  
340/10.4

\* cited by examiner

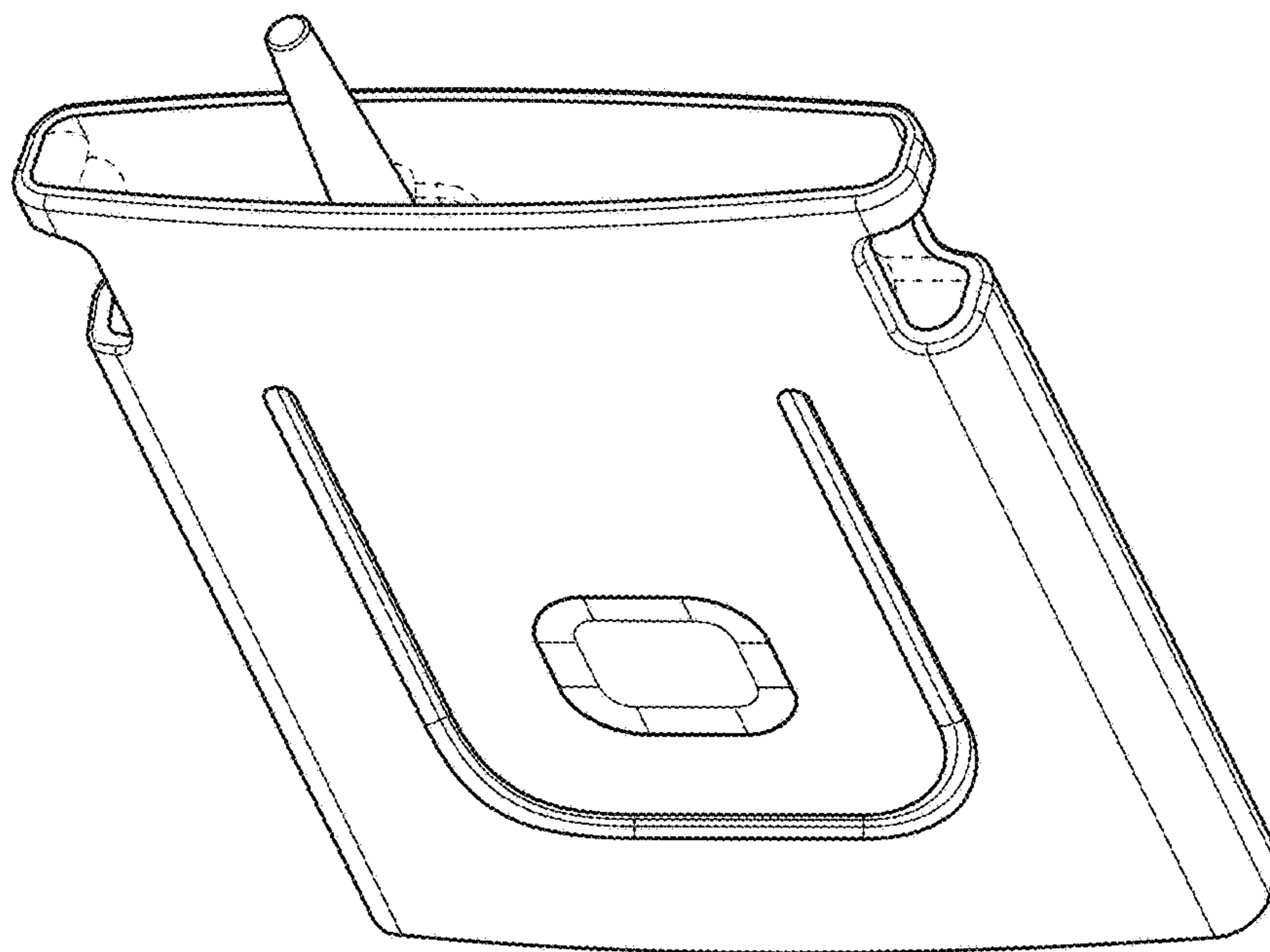


FIG. 1

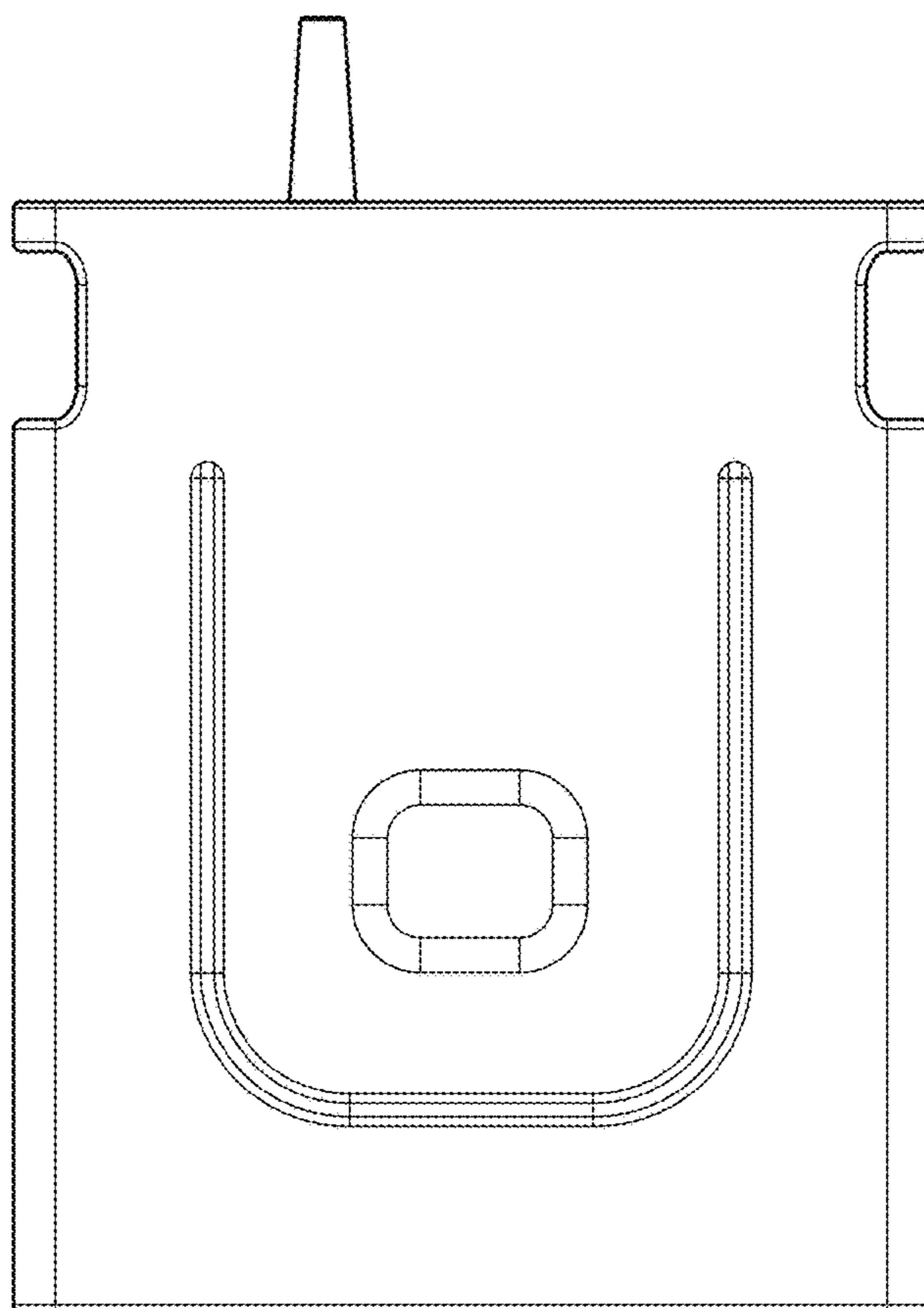


FIG. 2

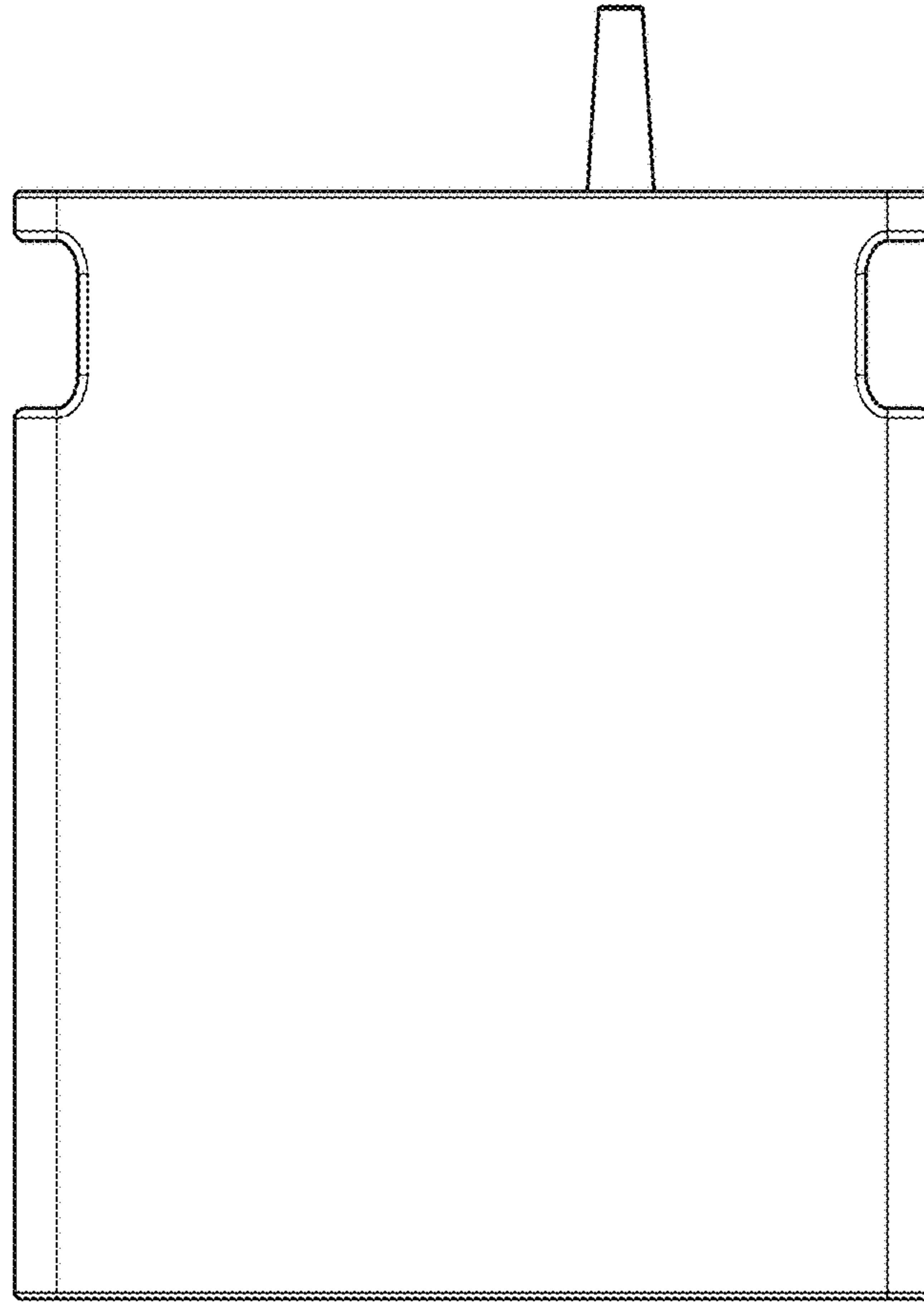


FIG. 3

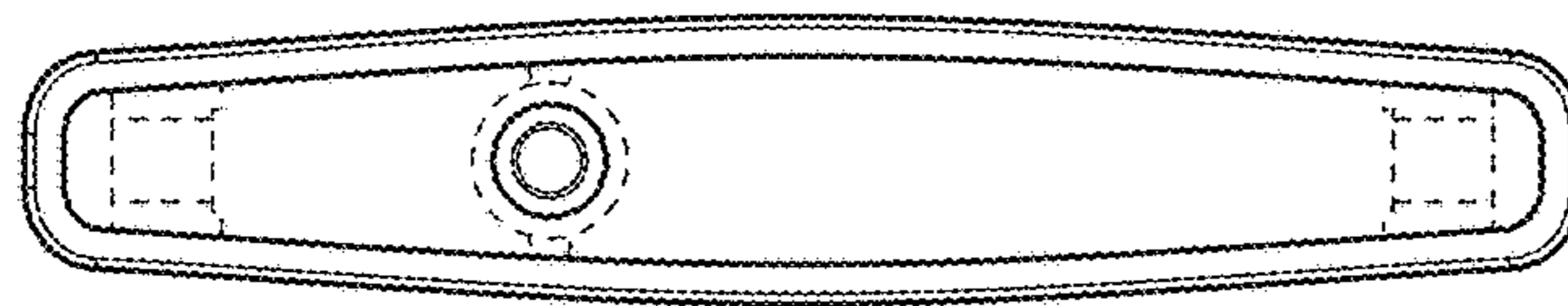


FIG. 4

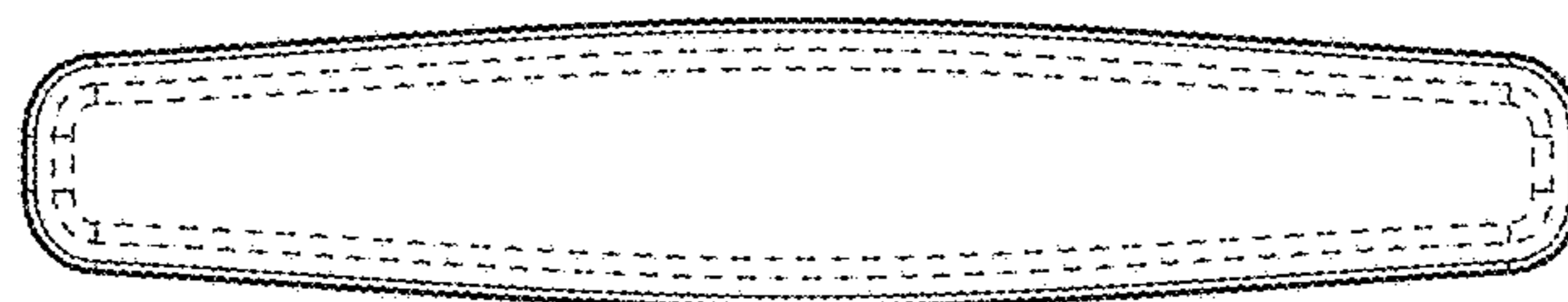


FIG. 5

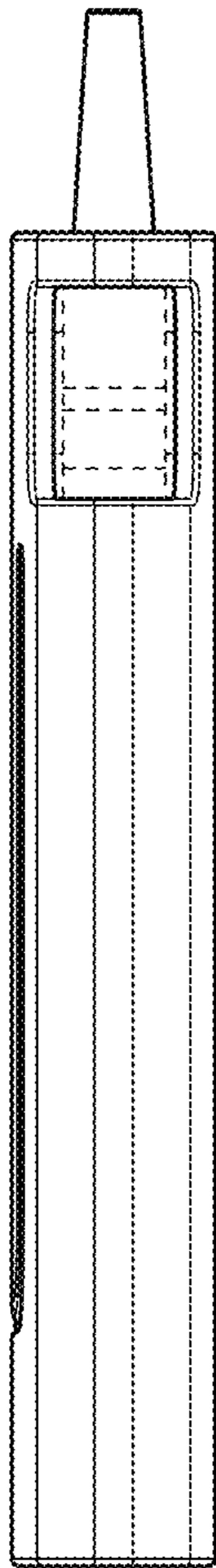


FIG. 6

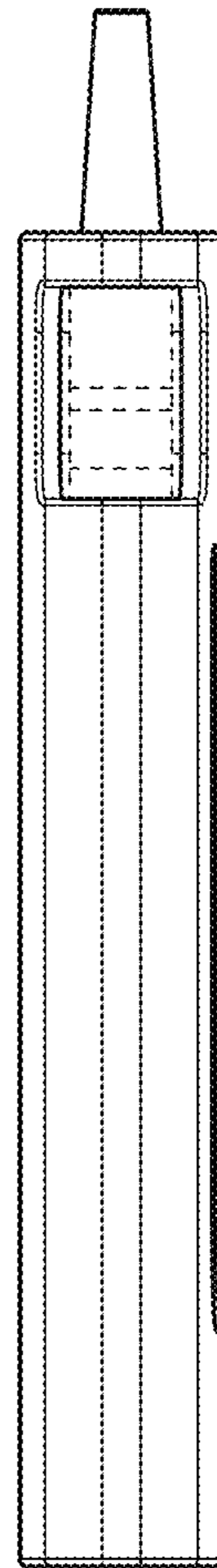


FIG. 7