

US00D807576S

(12) **United States Design Patent**
Liu et al.

(10) **Patent No.:** **US D807,576 S**
(45) **Date of Patent:** **** Jan. 9, 2018**

- (54) **ELECTRONIC CIGARETTE**
- (71) Applicant: **HUIZHOU KIMREE TECHNOLOGY CO. LTD.**
SHENZHEN BRANCH, Shenzhen, Guangdong (CN)
- (72) Inventors: **Qiuming Liu**, Guangdong (CN);
Zhiyong Xiang, Guangdong (CN);
Jianhua Niu, Guangdong (CN); **Zhilin Wei**, Guangdong (CN)
- (73) Assignee: **HUIZHOU KIMREE TECHNOLOGY CO., LTD.**
SHENZHEN BRANCH, Shenzhen, Guangdong (CN)
- (**) Term: **15 Years**
- (21) Appl. No.: **29/577,020**
- (22) Filed: **Sep. 8, 2016**
- (30) **Foreign Application Priority Data**
Mar. 28, 2016 (CN) 2016 3 0095013
- (51) **LOC (11) Cl.** **27-02**
- (52) **U.S. Cl.**
USPC **D27/163**
- (58) **Field of Classification Search**
USPC D27/100, 101, 162, 163, 164, 165, 169,
D27/170, 171, 194; D24/108, 110, 110.5
CPC A24F 1/00; A24F 1/02; A24F 1/04; A24F
1/06; A24F 1/08; A24F 1/10; A24F 1/12;
A24F 1/14; A24F 1/26; A24F 1/28; A24F
7/00; A24F 7/02; A24F 7/04
See application file for complete search history.

- D649,708 S * 11/2011 Oneil D27/163
- D690,002 S * 9/2013 Storey D24/110
- D728,855 S * 5/2015 Liu D27/163
- D753,336 S * 4/2016 Chen D27/101
- D758,004 S * 5/2016 Freshwater D27/163
- D758,655 S * 6/2016 Freshwater D27/163
- D758,656 S * 6/2016 Freshwater D27/163
- D761,999 S * 7/2016 Liu D27/101
- D770,678 S * 11/2016 Shin D27/163

(Continued)

OTHER PUBLICATIONS

Electronic Cigarette | JS328 Black | Kimree, posted date n/a, (c) 2003-2014 kimree.com, [online], [site visited Sep. 12, 2017], Available at <http://www.kimree.com/products/Vaportridge/JS328-Black.html>.*

Primary Examiner — Eric L Goodman

Assistant Examiner — Jennifer M Campbell

(74) *Attorney, Agent, or Firm* — U.S. Fairsky LLP; Yue Xu

(57) **CLAIM**

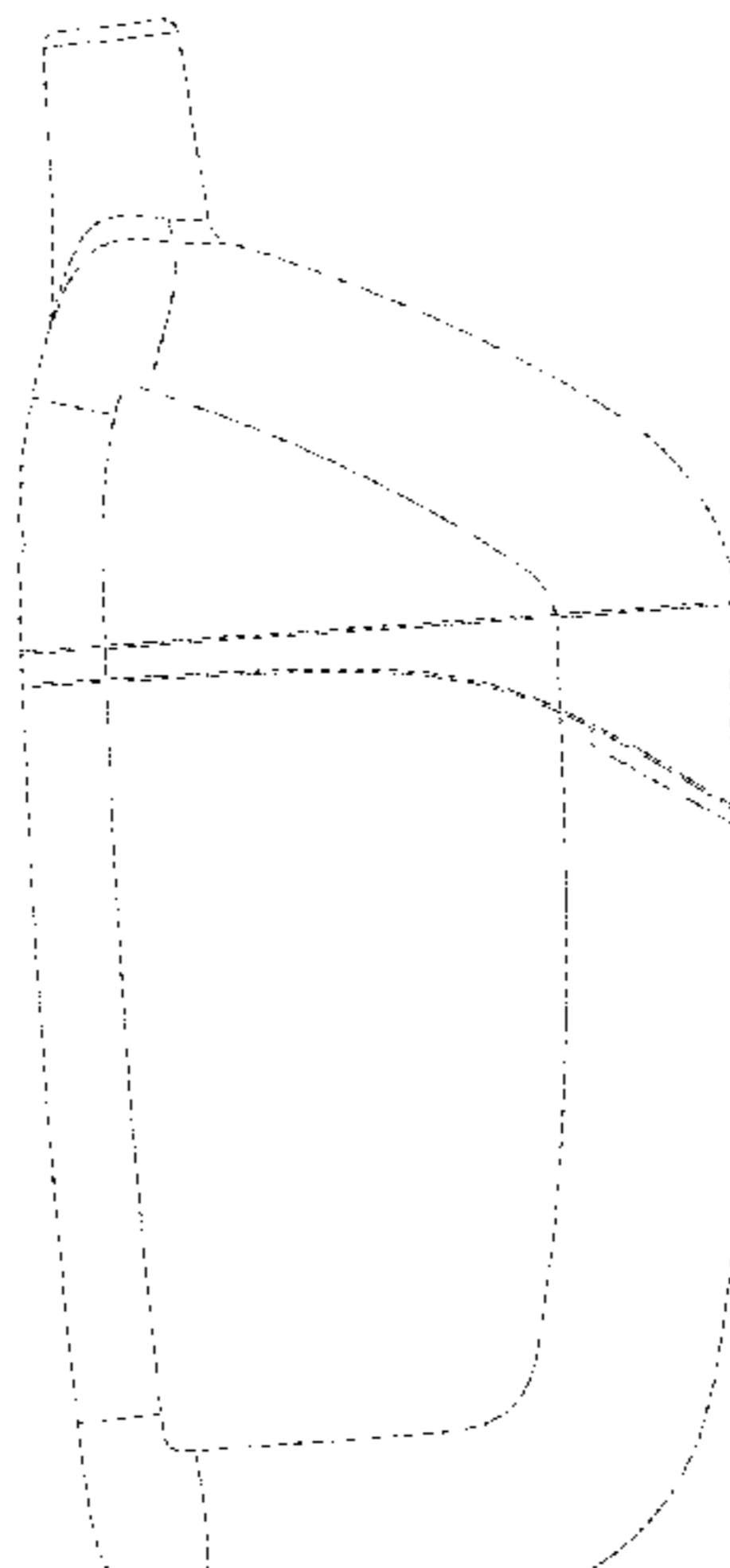
The ornamental design for an electronic cigarette, as shown and described.

DESCRIPTION

FIG. 1 is a front view of an electronic cigarette according to the present application;
FIG. 2 is a rear view of the electronic cigarette according to the present application;
FIG. 3 is a left view of the electronic cigarette according to the present application;
FIG. 4 is a right view of the electronic cigarette according to the present application;
FIG. 5 is a top view of the electronic cigarette according to the present application;
FIG. 6 is a bottom view of the electronic cigarette according to the present application; and,
FIG. 7 is a perspective view of the electronic cigarette according to the present application.

1 Claim, 7 Drawing Sheets

- (56) **References Cited**
U.S. PATENT DOCUMENTS
D579,547 S * 10/2008 Birath D24/110
D614,285 S * 4/2010 Birath D24/110



(56)

References Cited

U.S. PATENT DOCUMENTS

D771,867 S * 11/2016 Leidel D27/163
D773,114 S * 11/2016 Leidel D27/163

* cited by examiner

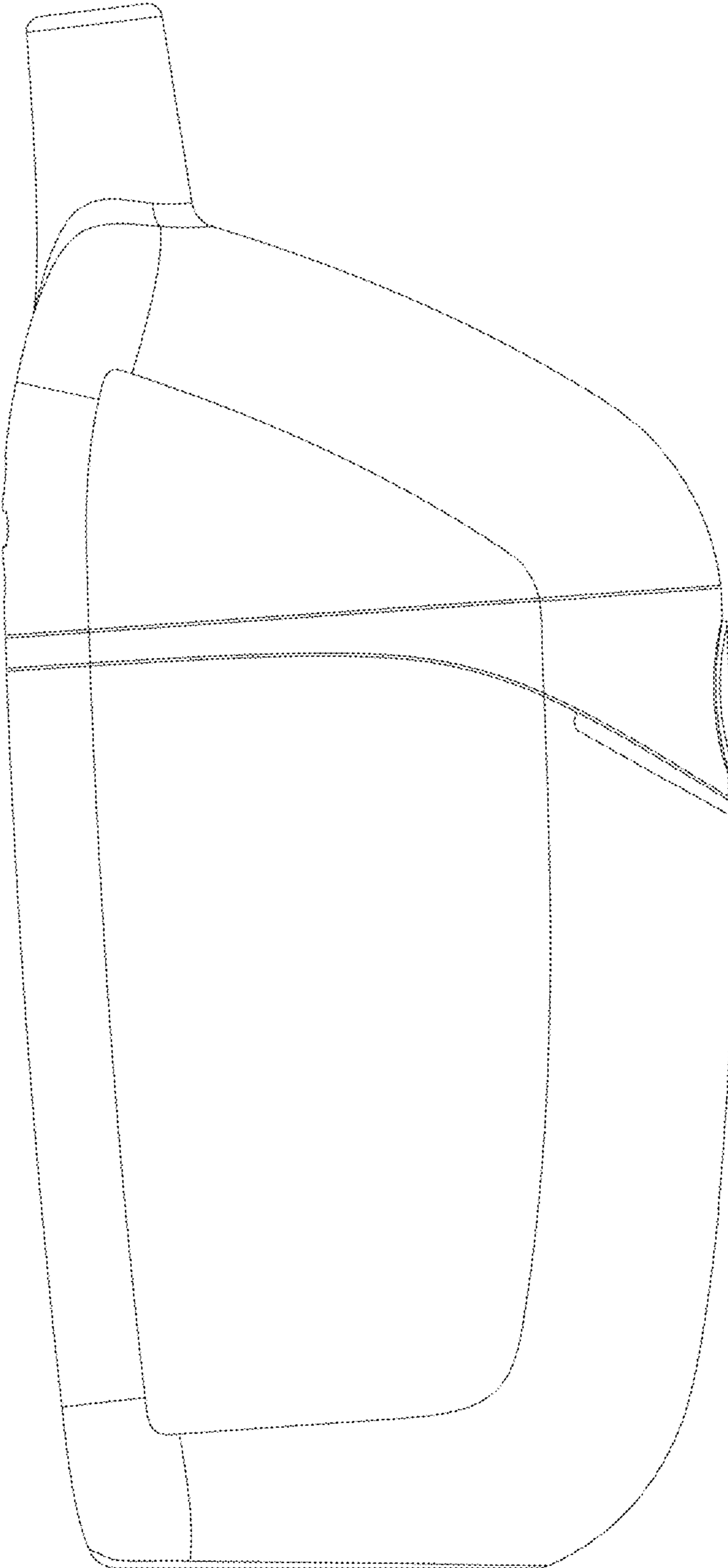


Figure 1

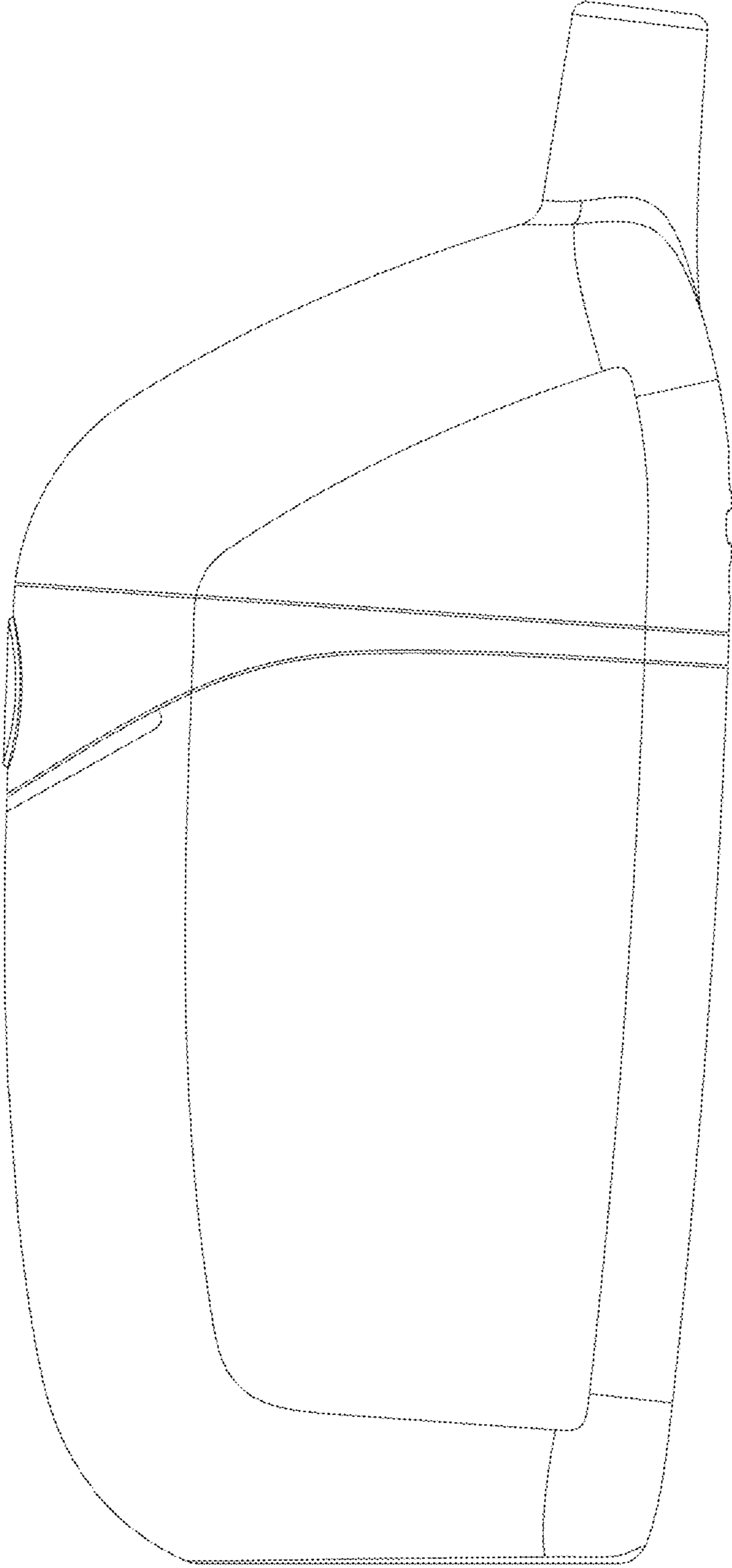


Figure 2

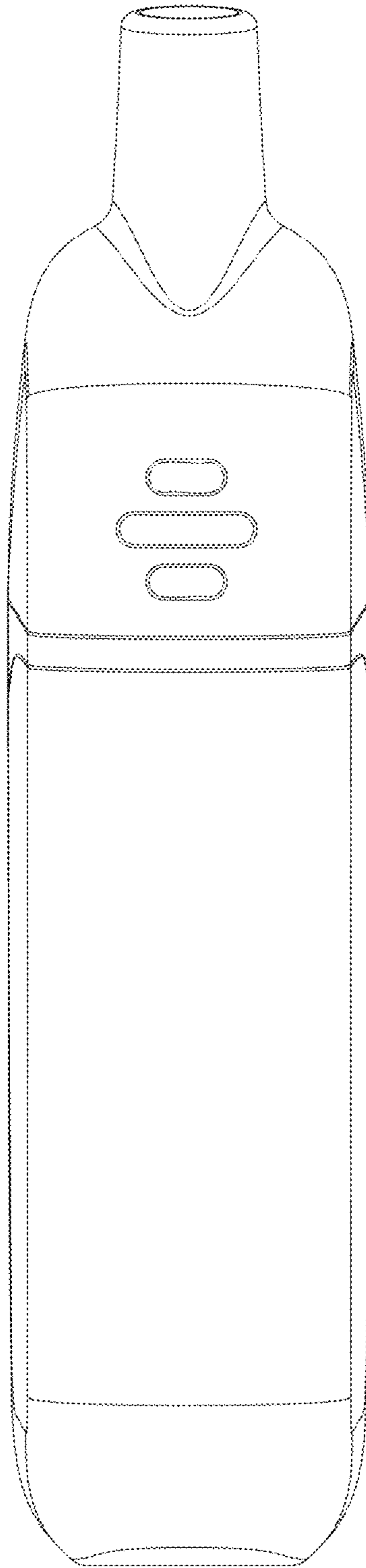


Figure 3

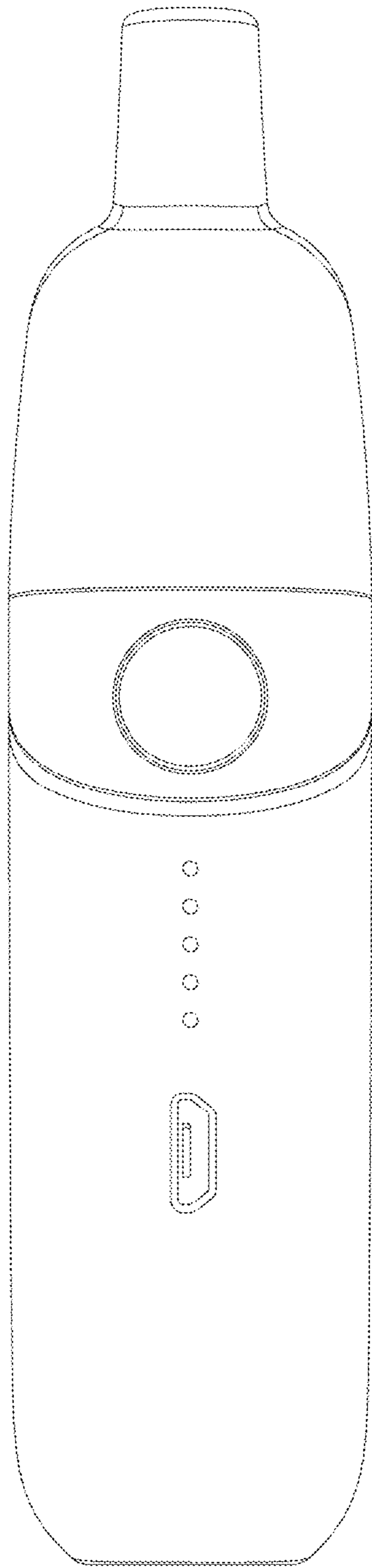


Figure 4

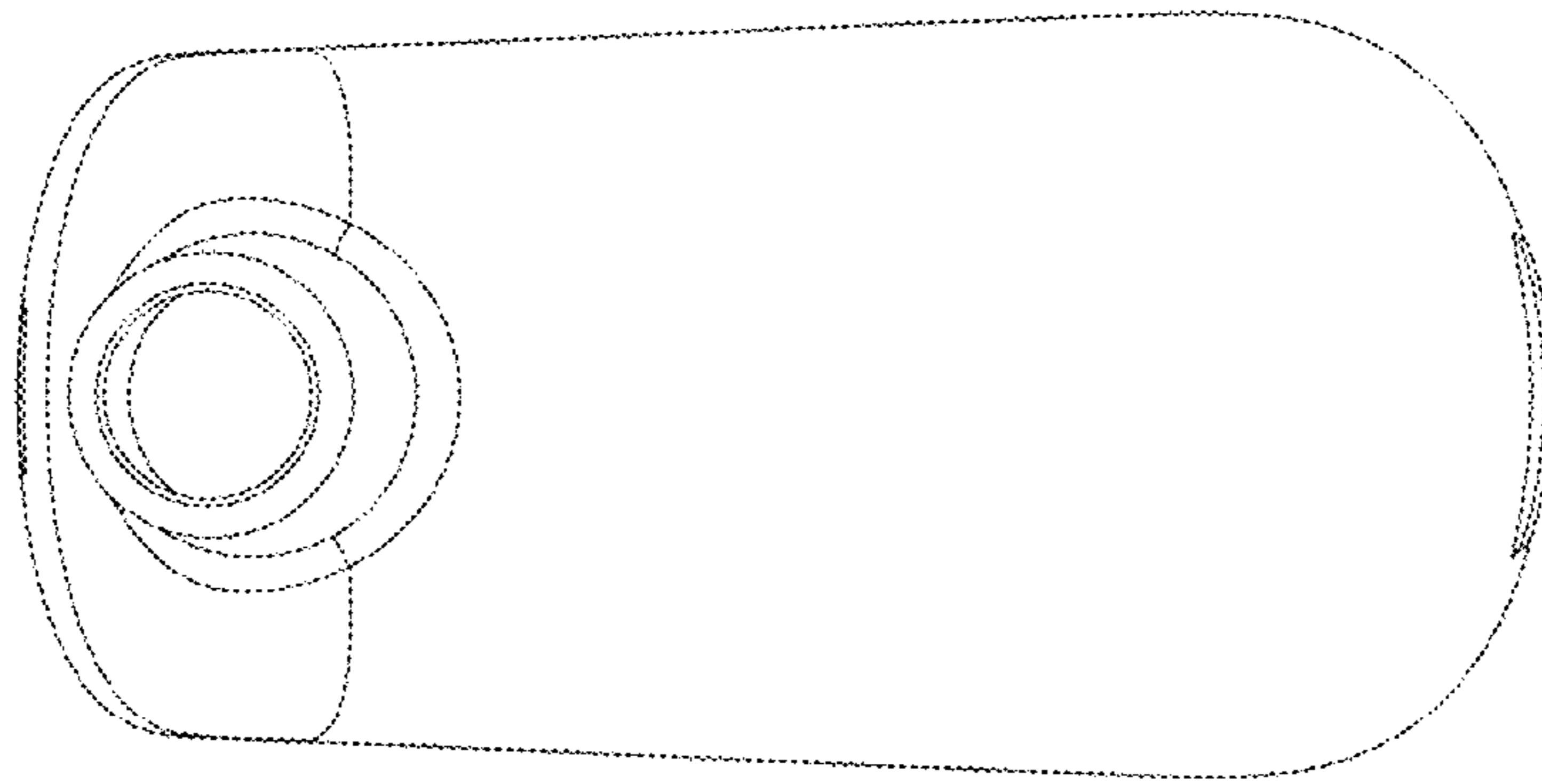


Figure 5

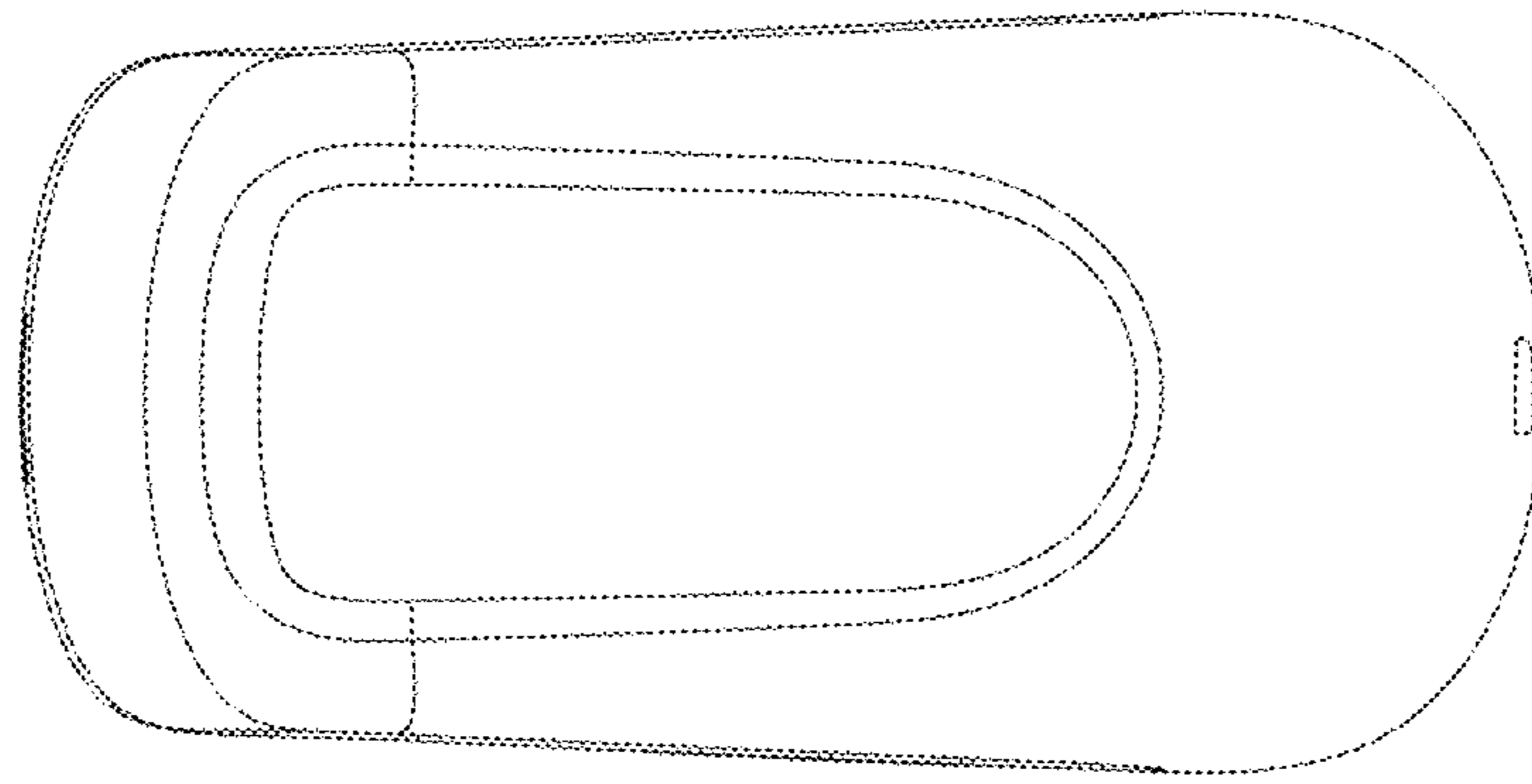


Figure 6

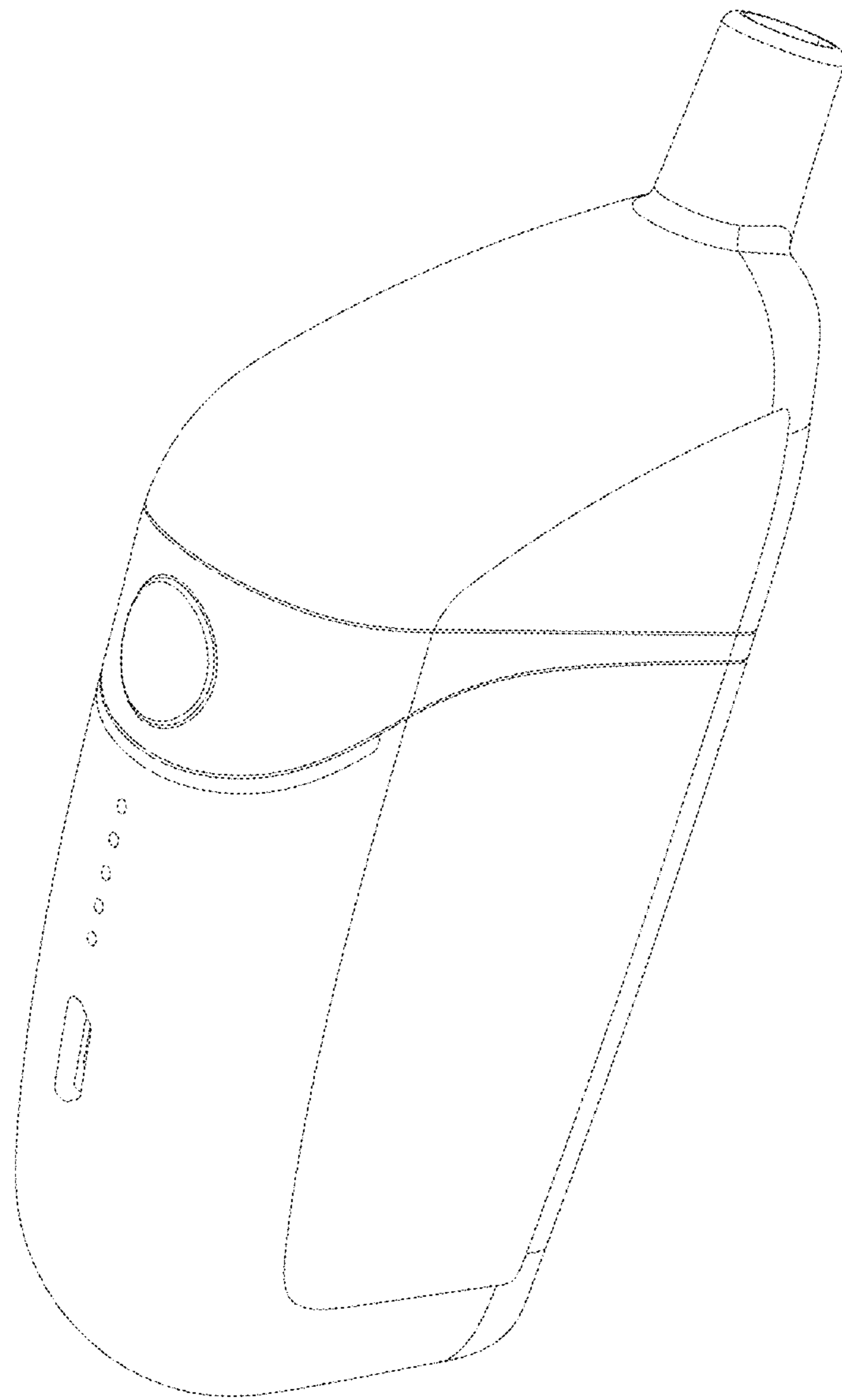


Figure 7