



US00D807572S

(12) **United States Design Patent**  
**Klus**

(10) **Patent No.:** **US D807,572 S**  
(45) **Date of Patent:** **\*\* Jan. 9, 2018**

(54) **HOUSING FOR AN LED-BASED LIGHTING APPARATUS**

(71) Applicant: **Sylwester Klus**, Kamionka (PL)

(72) Inventor: **Sylwester Klus**, Kamionka (PL)

(\*\*) Term: **15 Years**

(21) Appl. No.: **29/566,281**

(22) Filed: **May 27, 2016**

(51) **LOC (11) Cl.** ..... **26-05**

(52) **U.S. Cl.**  
USPC ..... **D26/138**

(58) **Field of Classification Search**  
USPC ..... D26/76, 78, 79, 80, 81, 82, 83, 85, 86,  
D26/88, 90, 113, 118, 119, 120, 121, 122,  
D26/138, 139, 140, 141, 142, 152  
CPC ..... F21S 2/00; F21S 4/00; F21S 4/003; F21S  
4/005; F21S 4/006; F21S 4/007; F21S  
4/008; F21S 6/00; F21S 8/00; F21S  
8/024; F21S 8/026; F21S 8/031; F21S  
8/033; F21S 8/035–8/037; F21S 8/04;  
F21S 8/043; F21S 8/063  
See application file for complete search history.

(56) **References Cited**

**U.S. PATENT DOCUMENTS**

D621,091 S \* 8/2010 Klu ..... D26/138  
D695,955 S \* 12/2013 Klus ..... D26/138  
D724,259 S \* 3/2015 Klus ..... D26/141  
D724,260 S \* 3/2015 Klus ..... D26/141

D724,261 S \* 3/2015 Klus ..... D26/141  
D731,704 S \* 6/2015 Klus ..... D26/138  
D733,354 S \* 6/2015 Klus ..... D26/138  
D733,355 S \* 6/2015 Klus ..... D26/138  
D775,409 S \* 12/2016 Klus ..... D26/138  
D775,410 S \* 12/2016 Klus ..... D26/138  
D782,104 S \* 3/2017 Klus ..... D26/138  
D792,017 S \* 7/2017 Klus ..... D26/138

\* cited by examiner

*Primary Examiner* — George D. Kirschbaum

*Assistant Examiner* — Natasha Vujcic

(74) *Attorney, Agent, or Firm* — Mark Terry

(57) **CLAIM**

The ornamental design for housing for an LED-based lighting apparatus, as shown and described.

**DESCRIPTION**

FIG. 1 is a top perspective view of a housing for an LED-based lighting apparatus, showing the new design; FIG. 2 is a bottom perspective view thereof; FIG. 3 is a front view thereof; FIG. 4 is a bottom view thereof; FIG. 5 is a rear view thereof; FIG. 6 is a top view thereof; FIG. 7 is another front view thereof; and, FIG. 8 is a side view thereof.

The uniformly dashed lines shown in the drawings illustrate portions of the housing for an LED-based lighting apparatus which form no part of the claimed design.

**1 Claim, 3 Drawing Sheets**

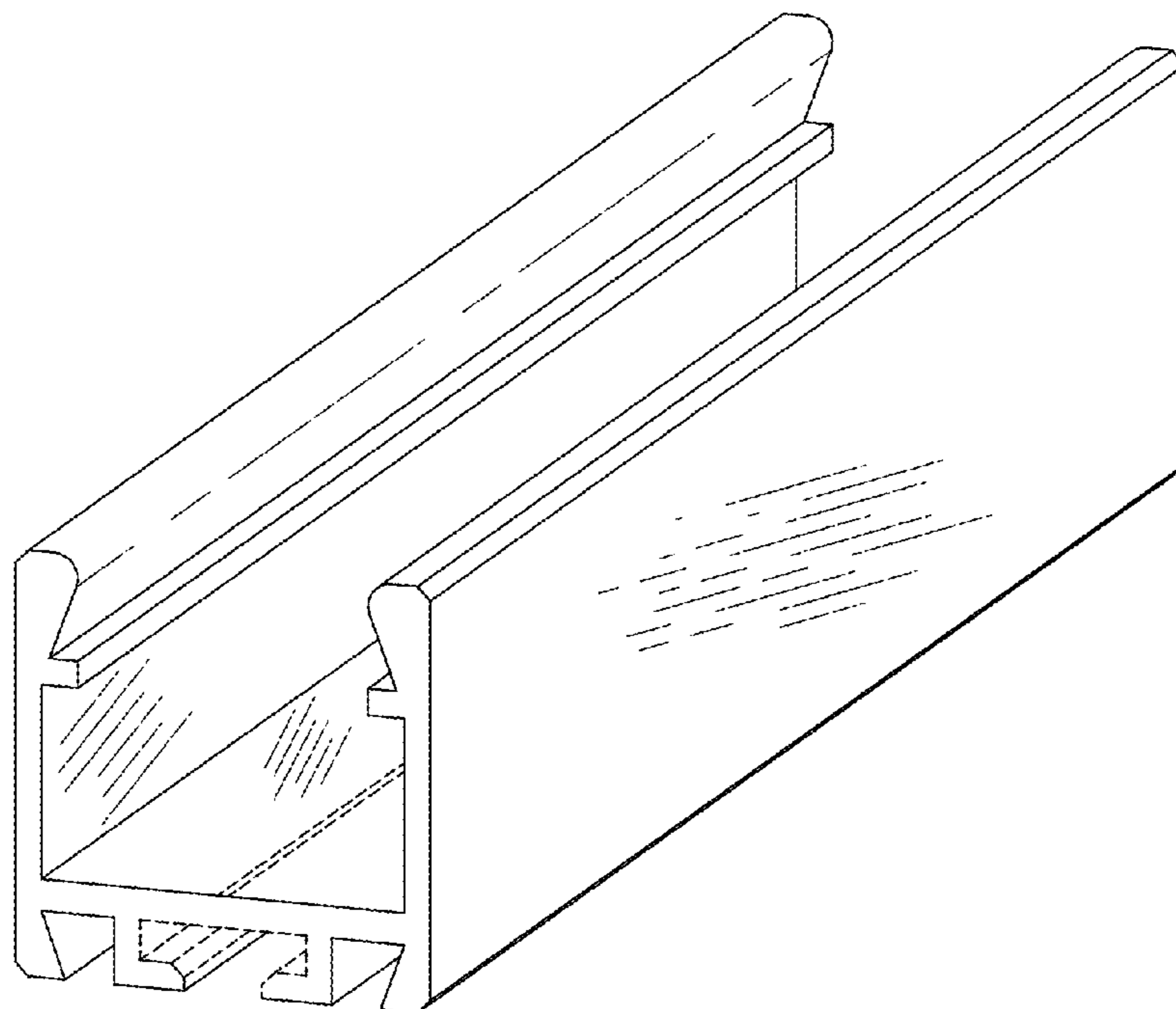


Fig. 1

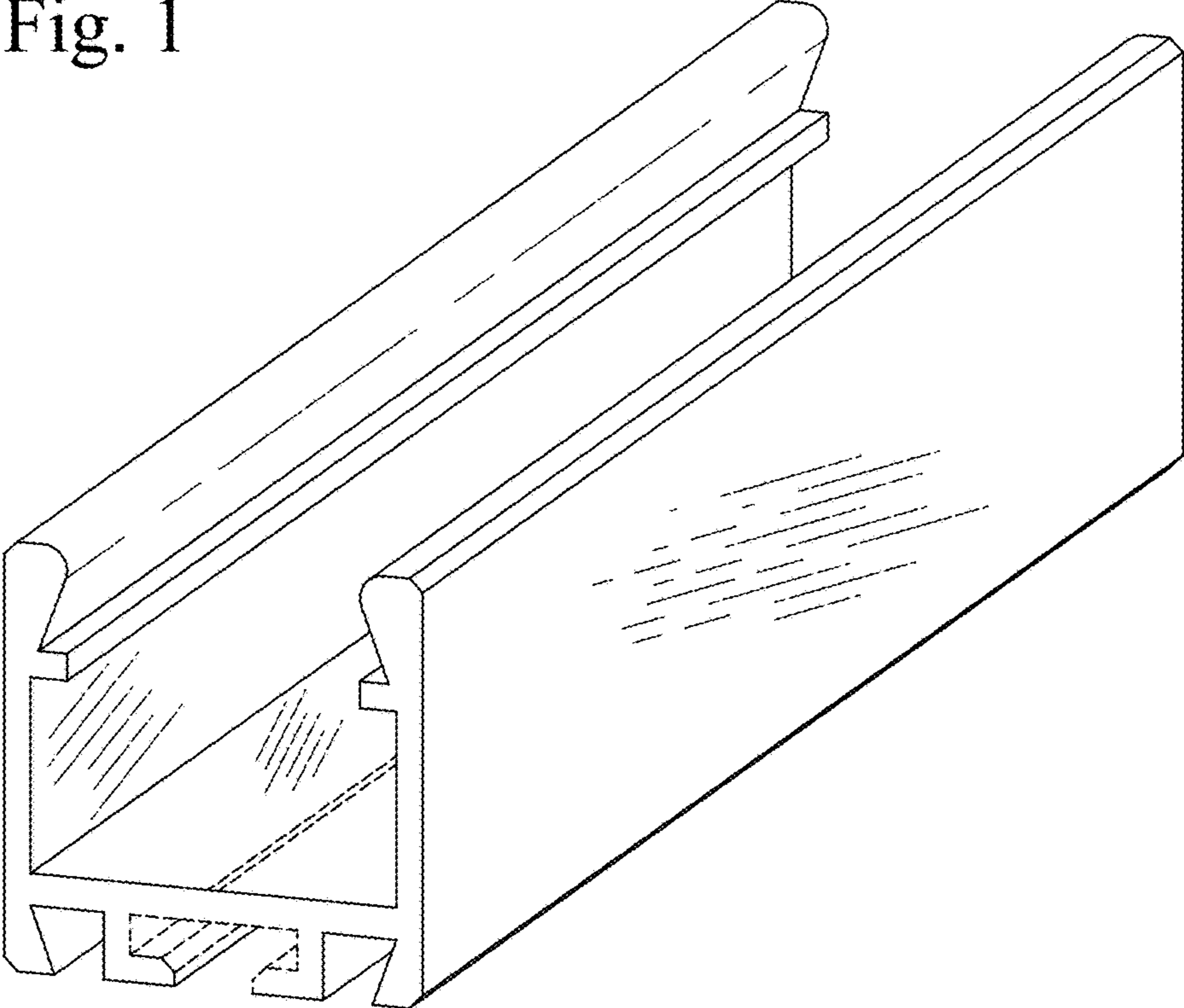


Fig. 2

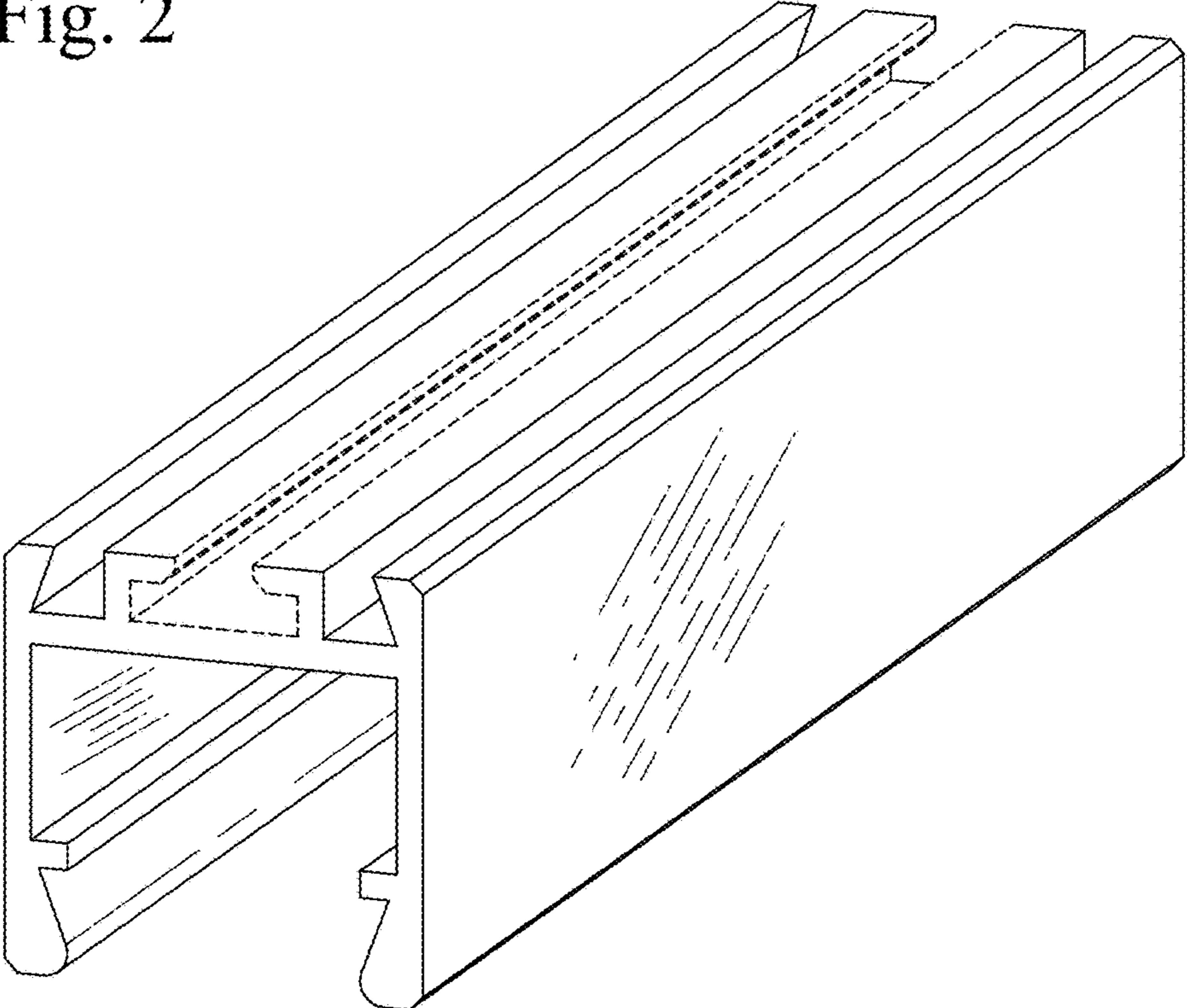


Fig. 3

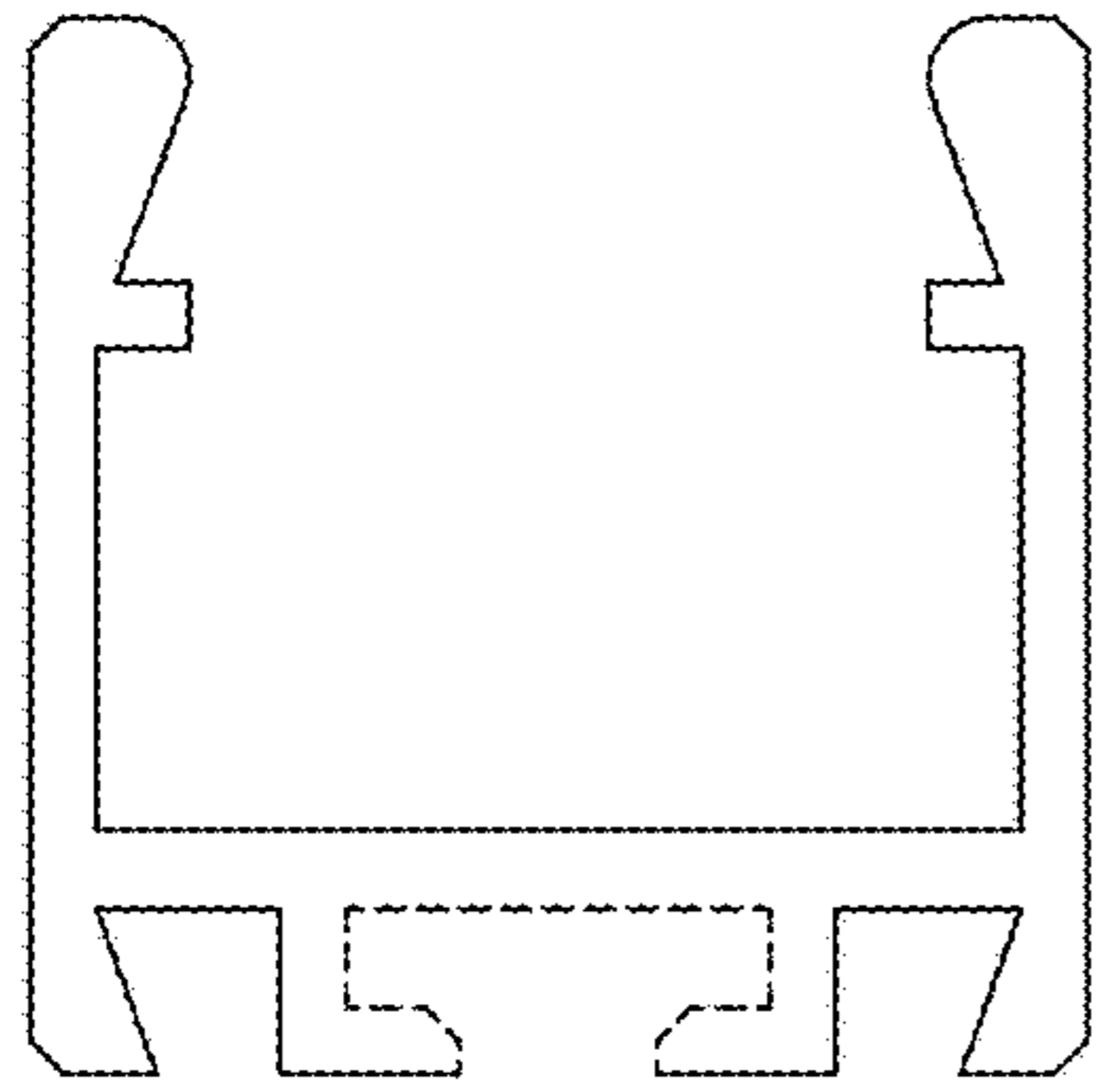


Fig. 5

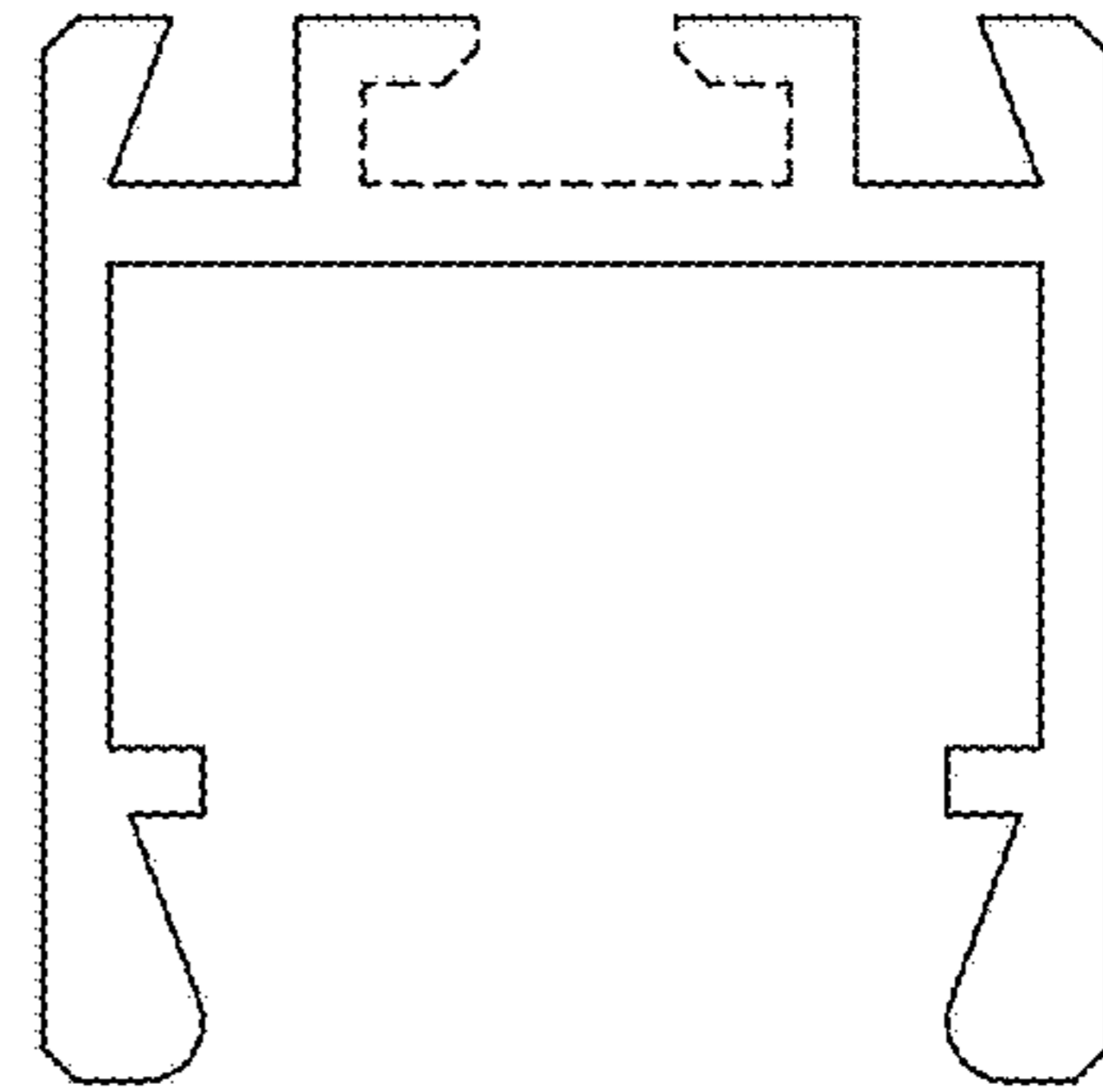


Fig. 4

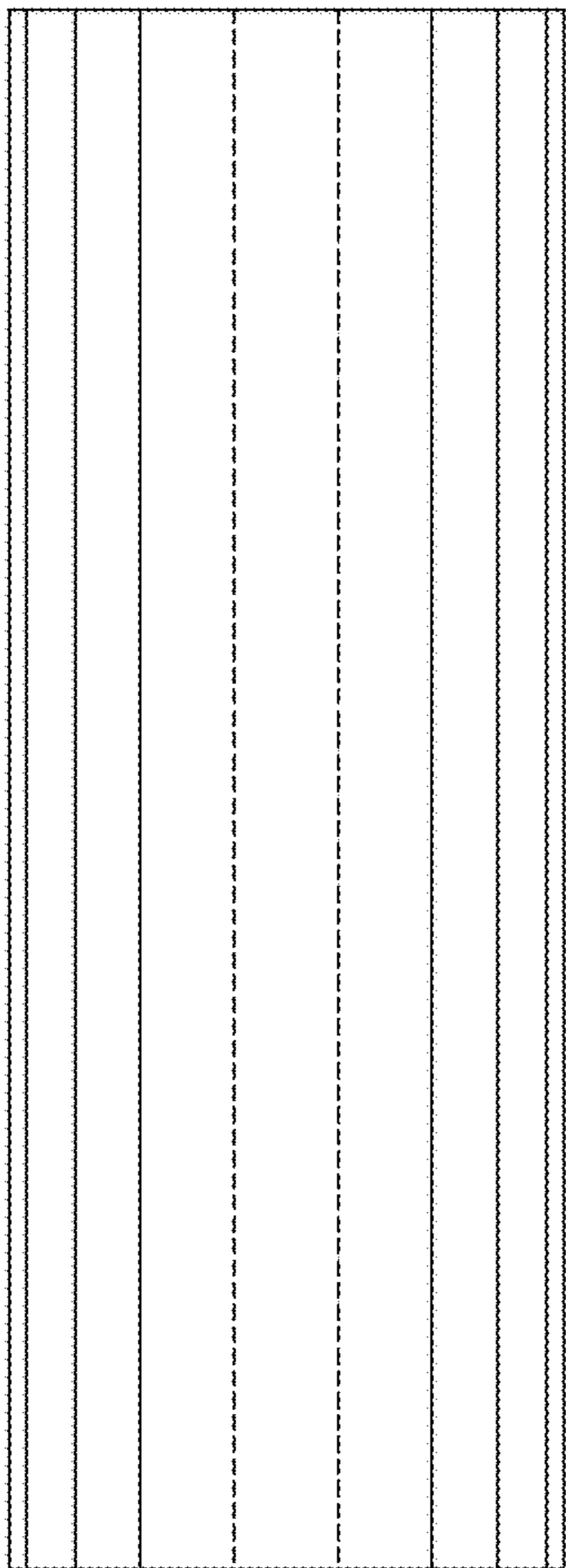


Fig. 6

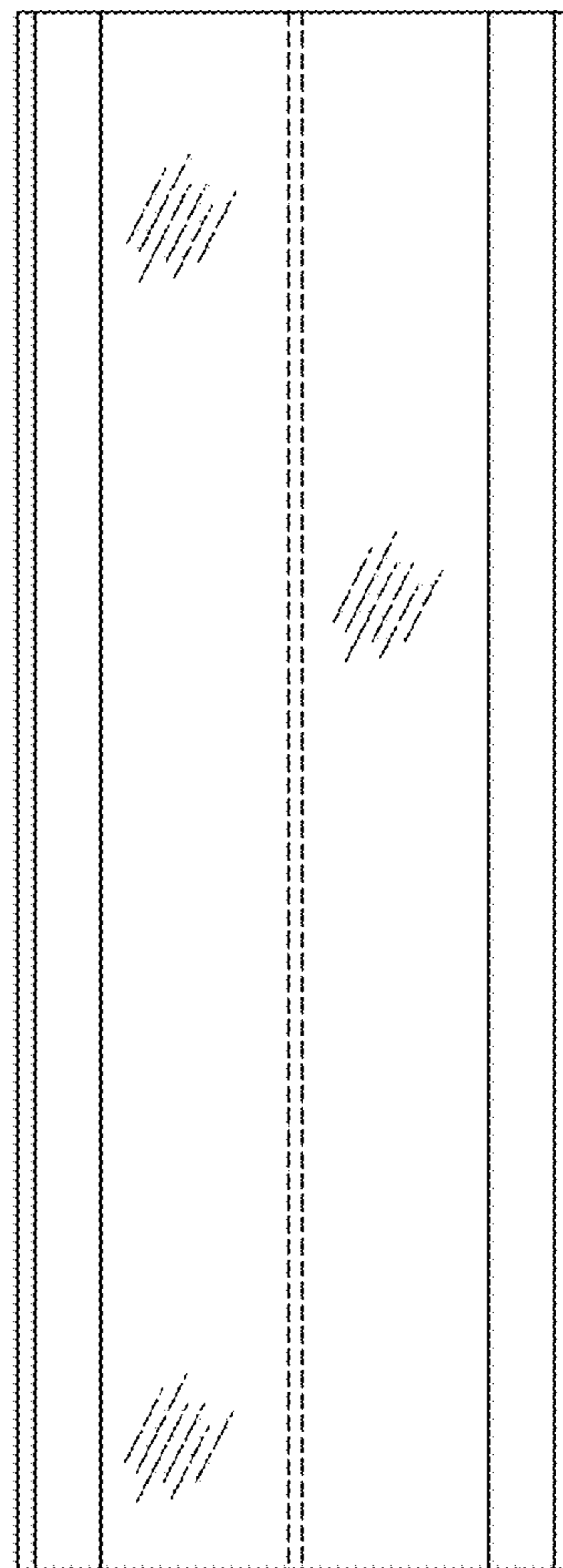


Fig. 7

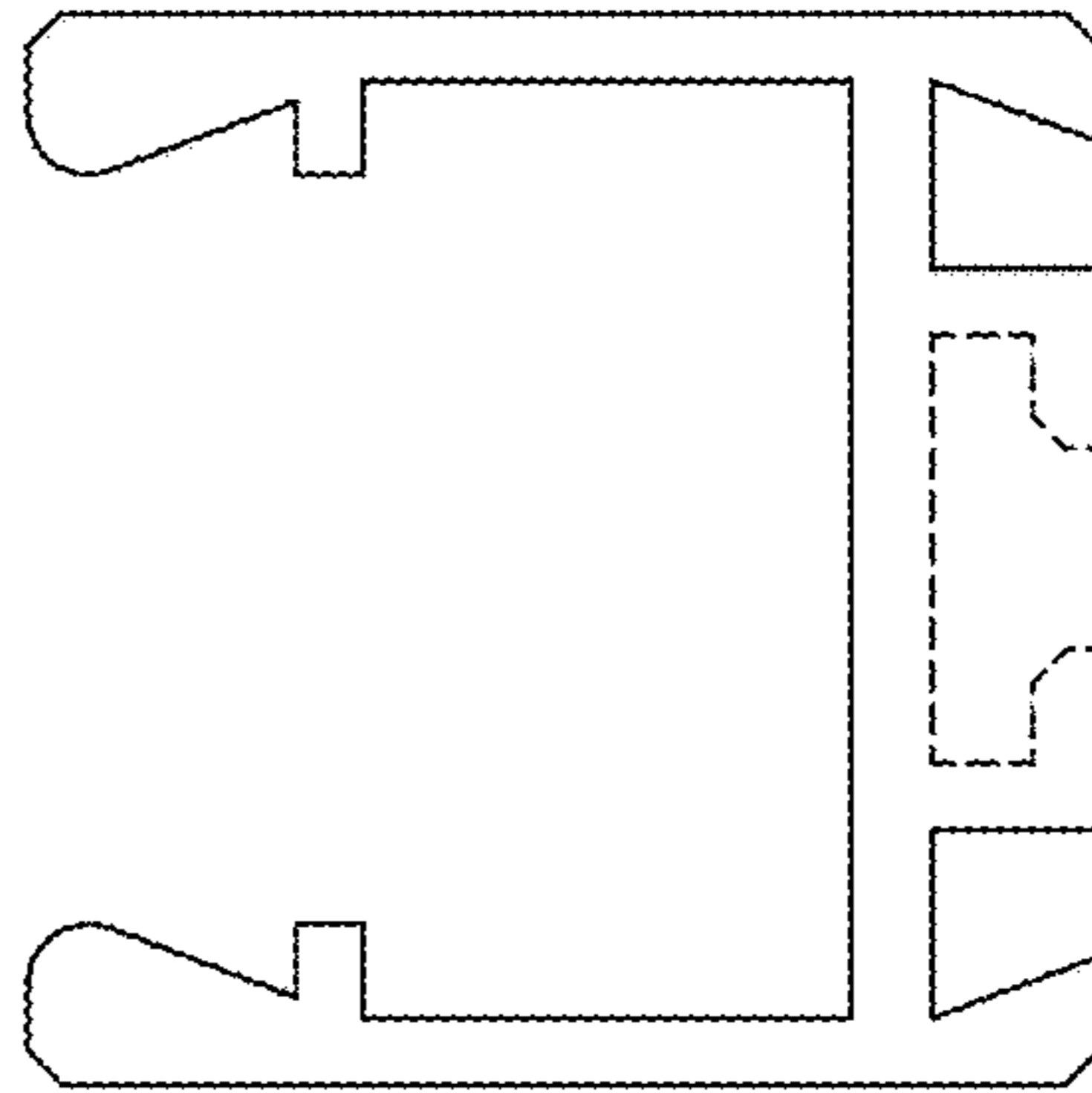


Fig. 8

