



US00D807571S

(12) **United States Design Patent**
Klus

(10) **Patent No.:** **US D807,571 S**

(45) **Date of Patent:** **** Jan. 9, 2018**

(54) **HOUSING FOR AN LED-BASED LIGHTING APPARATUS**

(71) Applicant: **Sylwester Klus**, Kamionka (PL)

(72) Inventor: **Sylwester Klus**, Kamionka (PL)

(**) Term: **15 Years**

(21) Appl. No.: **29/566,272**

(22) Filed: **May 27, 2016**

(51) **LOC (11) Cl.** **26-05**

(52) **U.S. Cl.**
USPC **D26/138**

(58) **Field of Classification Search**
USPC D26/76, 78, 79, 80, 81, 82, 83, 85, 86,
D26/88, 90, 113, 118, 119, 120, 121, 122,
D26/138, 139, 140, 141, 142, 152
CPC F21S 2/00; F21S 4/00; F21S 4/003; F21S
4/005; F21S 4/006; F21S 4/007; F21S
4/008; F21S 6/00; F21S 8/00; F21S
8/024; F21S 8/026; F21S 8/031; F21S
8/033; F21S 8/035-8/037; F21S 8/04;
F21S 8/043; F21S 8/063
See application file for complete search history.

(56) **References Cited**

U.S. PATENT DOCUMENTS

D162,842 S *	4/1951	Klein	D25/119
D299,273 S *	1/1989	Pittman, Jr.	D25/119
D489,463 S *	5/2004	Barnett	D25/119
D534,790 S *	1/2007	Garda	D8/377
D552,259 S *	10/2007	Allsopp	D25/119

D584,941 S *	1/2009	Broehl	D8/377
D652,569 S *	1/2012	Trzesniowski	D26/138
D683,893 S *	6/2013	Ransvi	D26/138
D724,261 S *	3/2015	Klus	D26/141
D757,993 S *	5/2016	Klus	D26/138
D775,410 S *	12/2016	Klus	D26/138
D782,104 S *	3/2017	Klus	D26/138

* cited by examiner

Primary Examiner — George D. Kirschbaum

Assistant Examiner — Natasha Vujcic

(74) *Attorney, Agent, or Firm* — Mark Terry

(57) **CLAIM**

The ornamental design for housing for an LED-based lighting apparatus, as shown and described.

DESCRIPTION

FIG. 1 is a front perspective view of a housing for an LED-based lighting apparatus, showing the new design; FIG. 2 is a rear perspective view thereof; FIG. 3 is a right side view thereof; FIG. 4 is a bottom view thereof; FIG. 5 is left side view thereof; FIG. 6 is a top view thereof; FIG. 7 is another right side view thereof; FIG. 8 is a front view thereof; FIG. 9 is yet another right side view thereof; and, FIG. 10 is a rear view thereof.

The uniformly dashed lines shown in the drawings illustrate portions of the housing for an LED-based lighting apparatus which form no part of the claimed design.

1 Claim, 3 Drawing Sheets

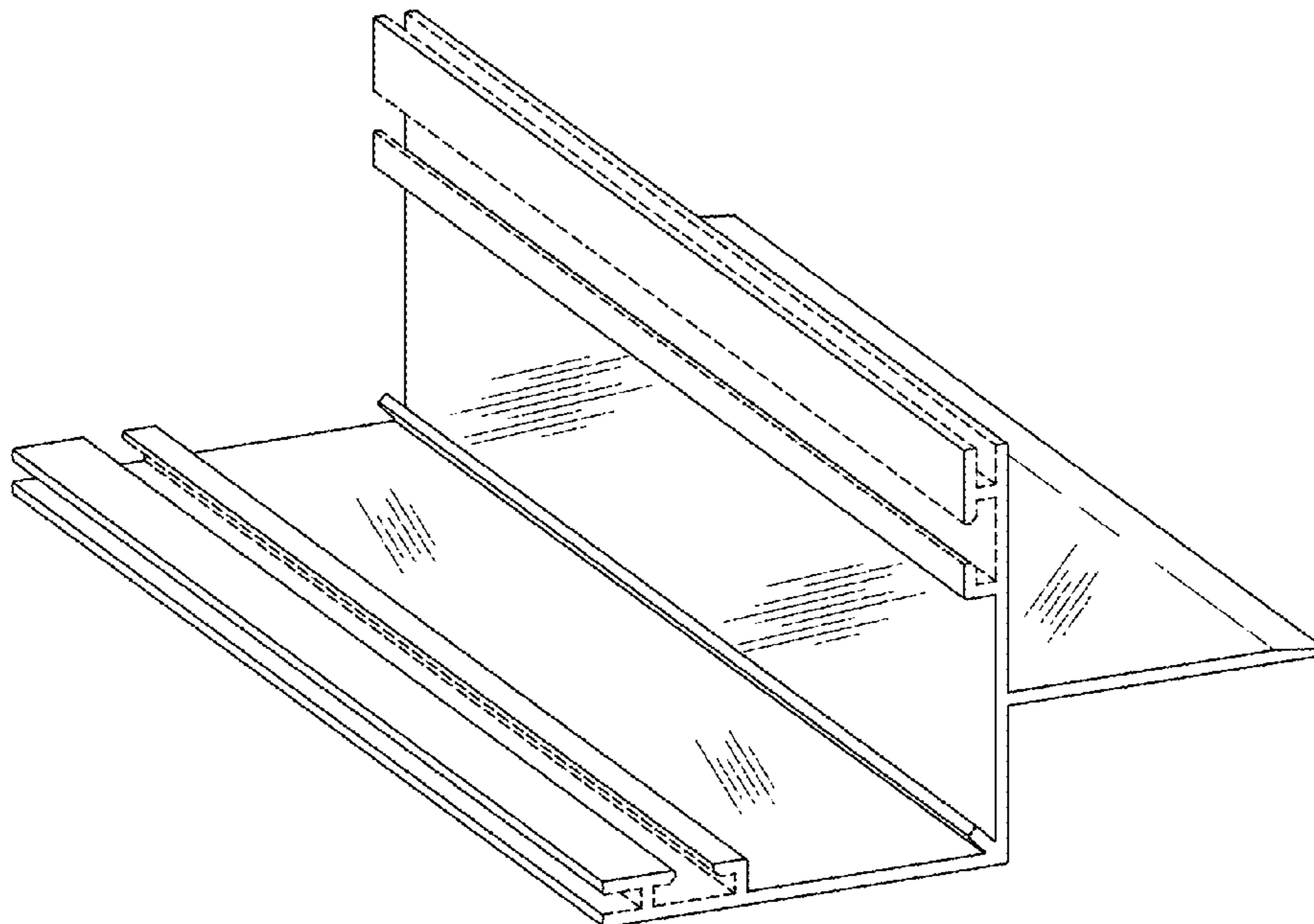


Fig. 1

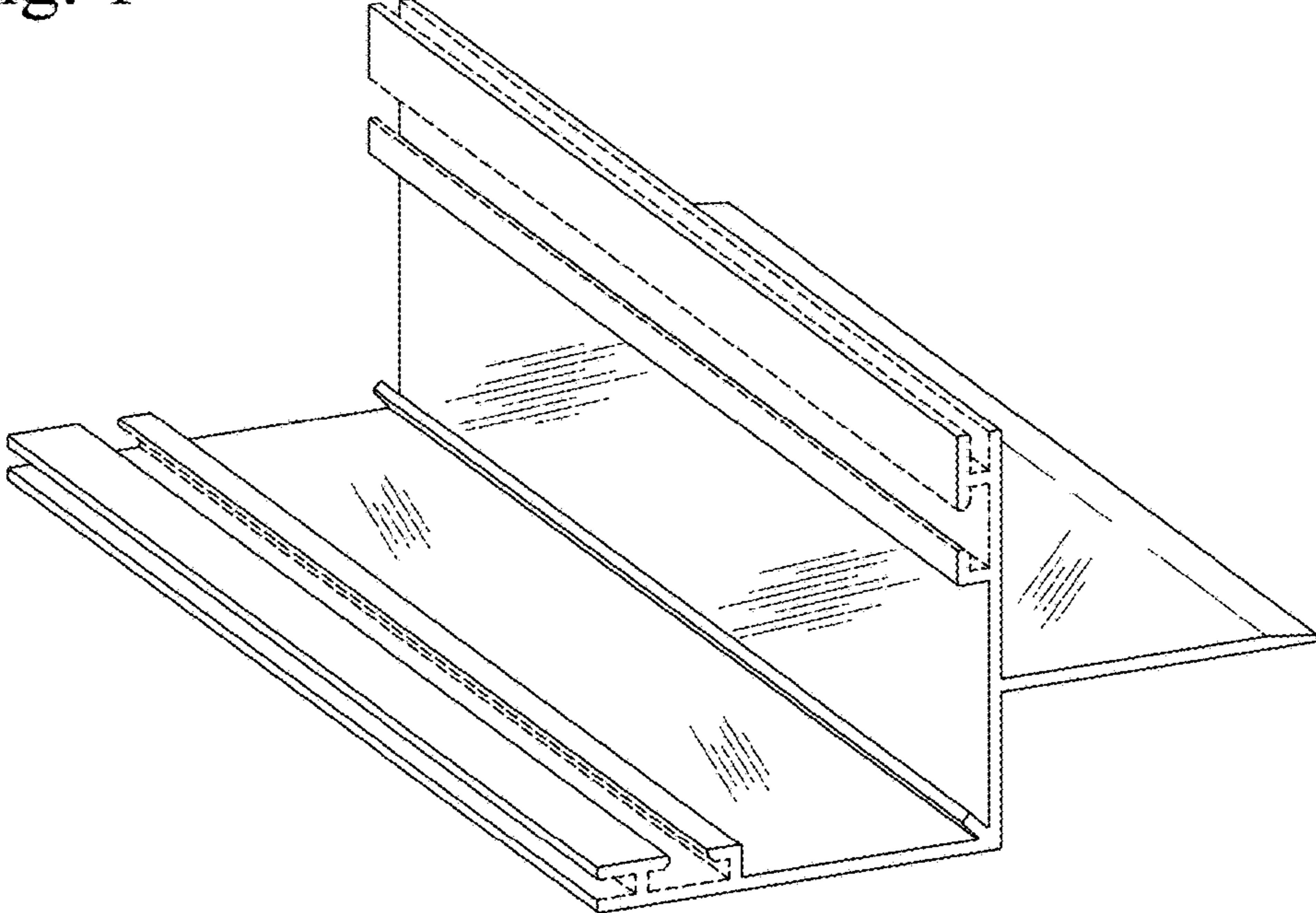


Fig. 2

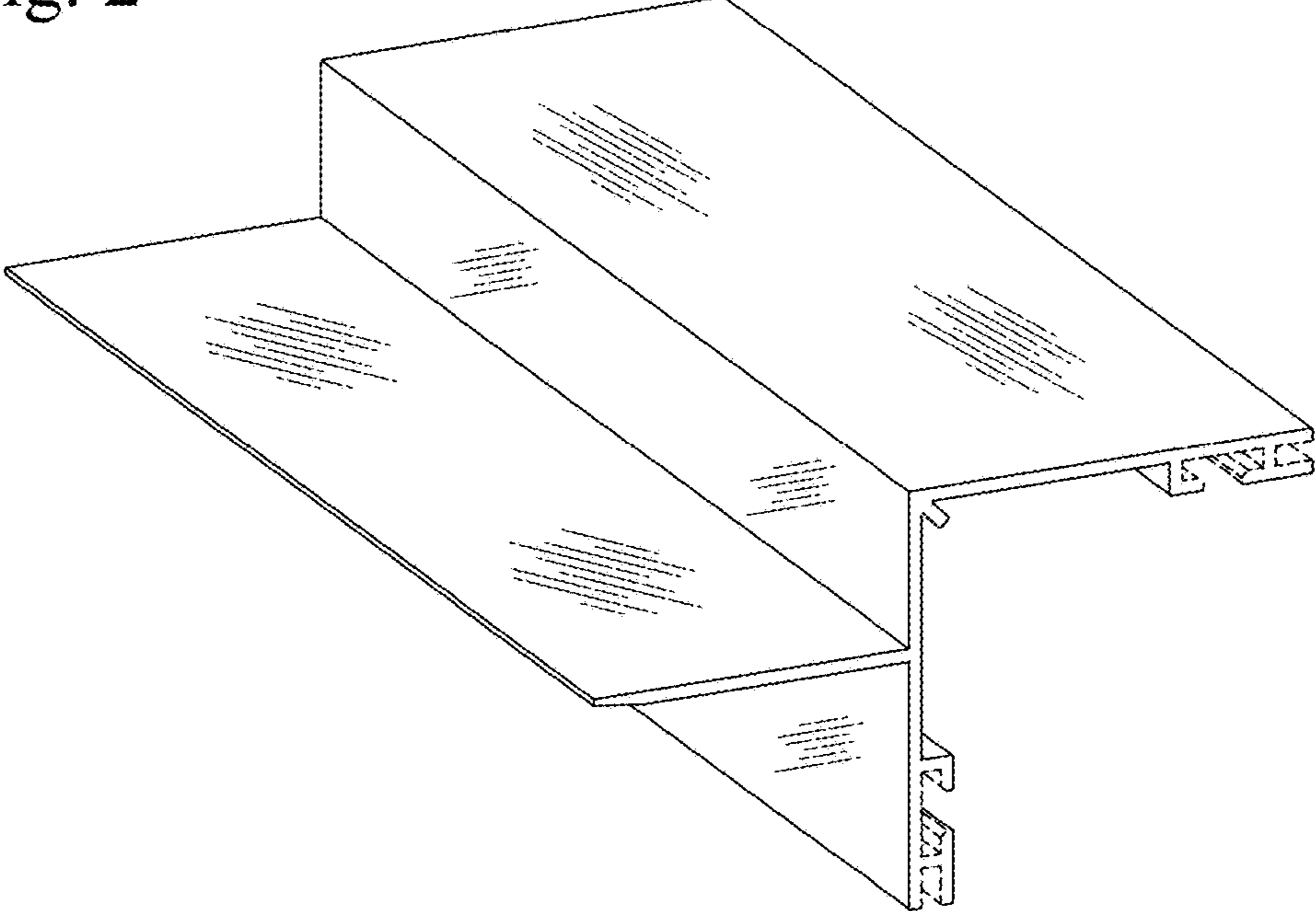


Fig. 3

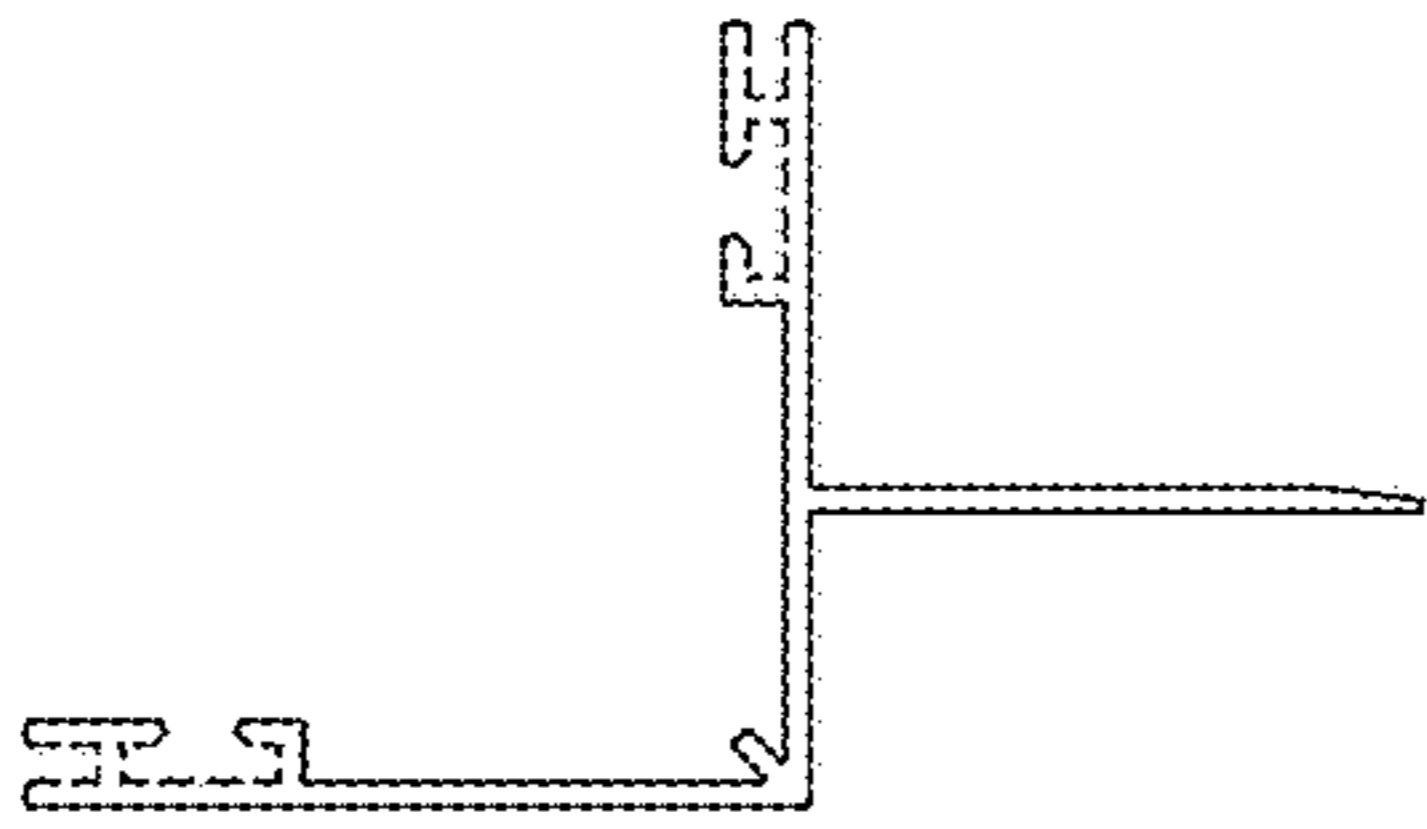


Fig. 5

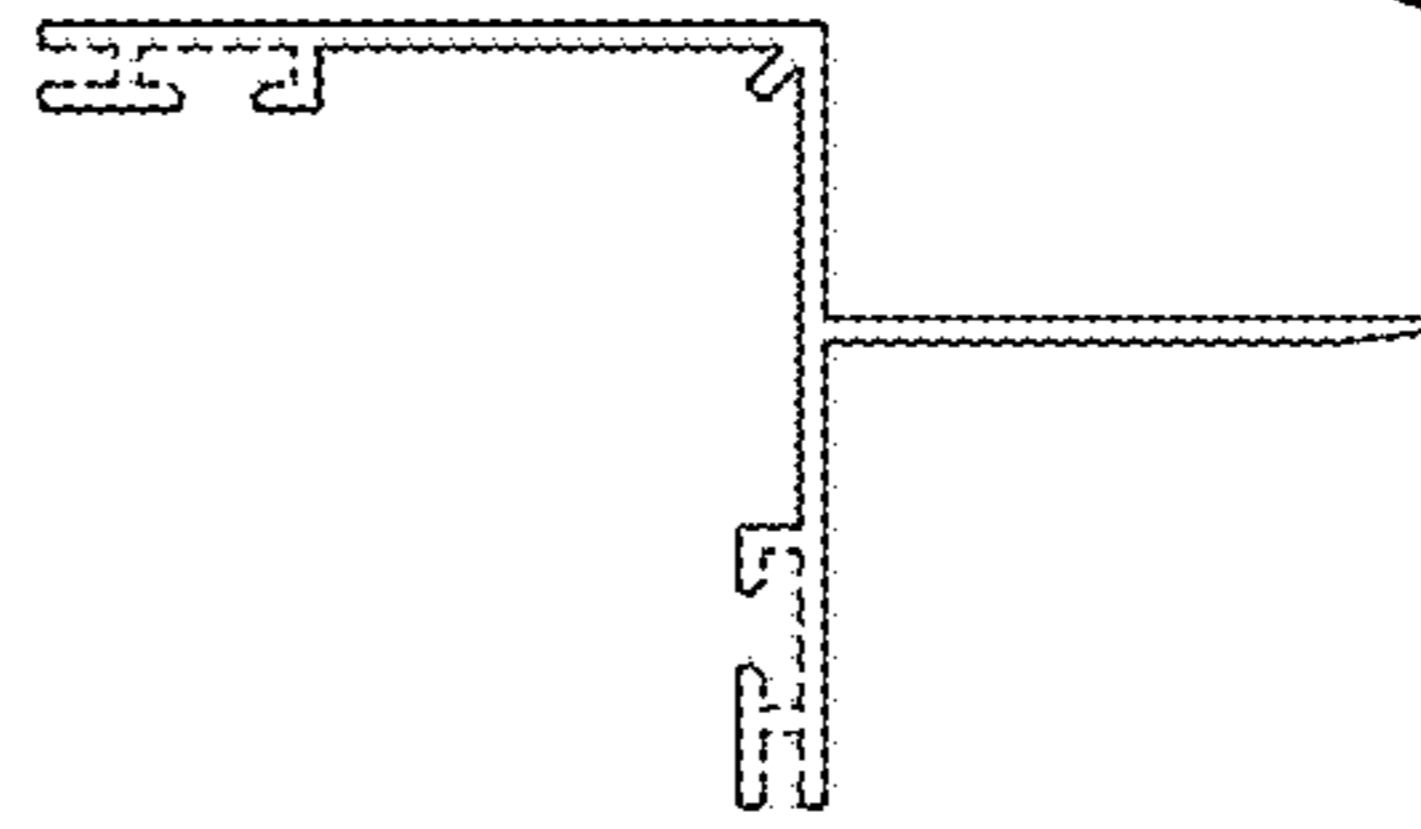


Fig. 4

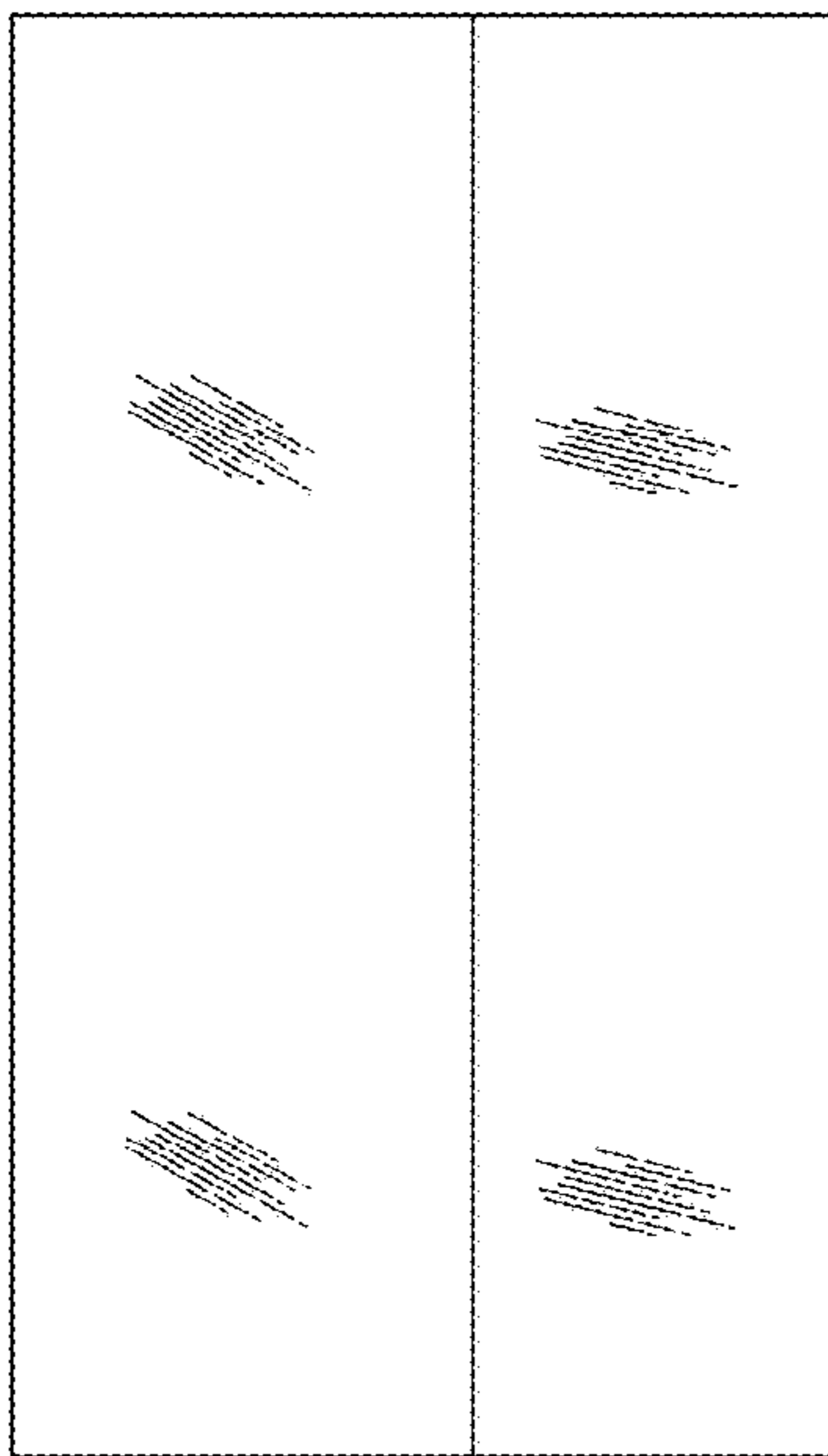


Fig. 6

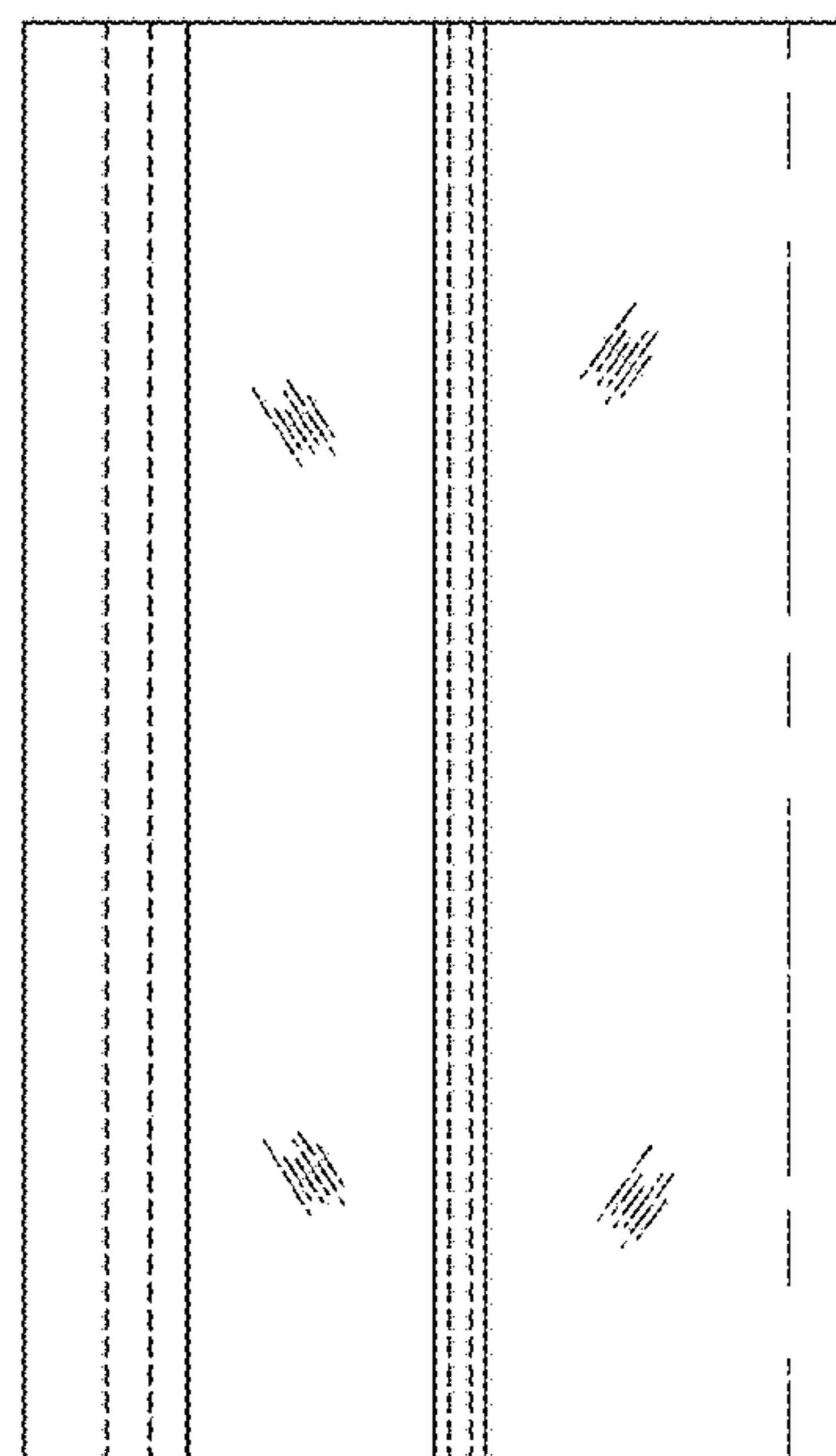


Fig. 7

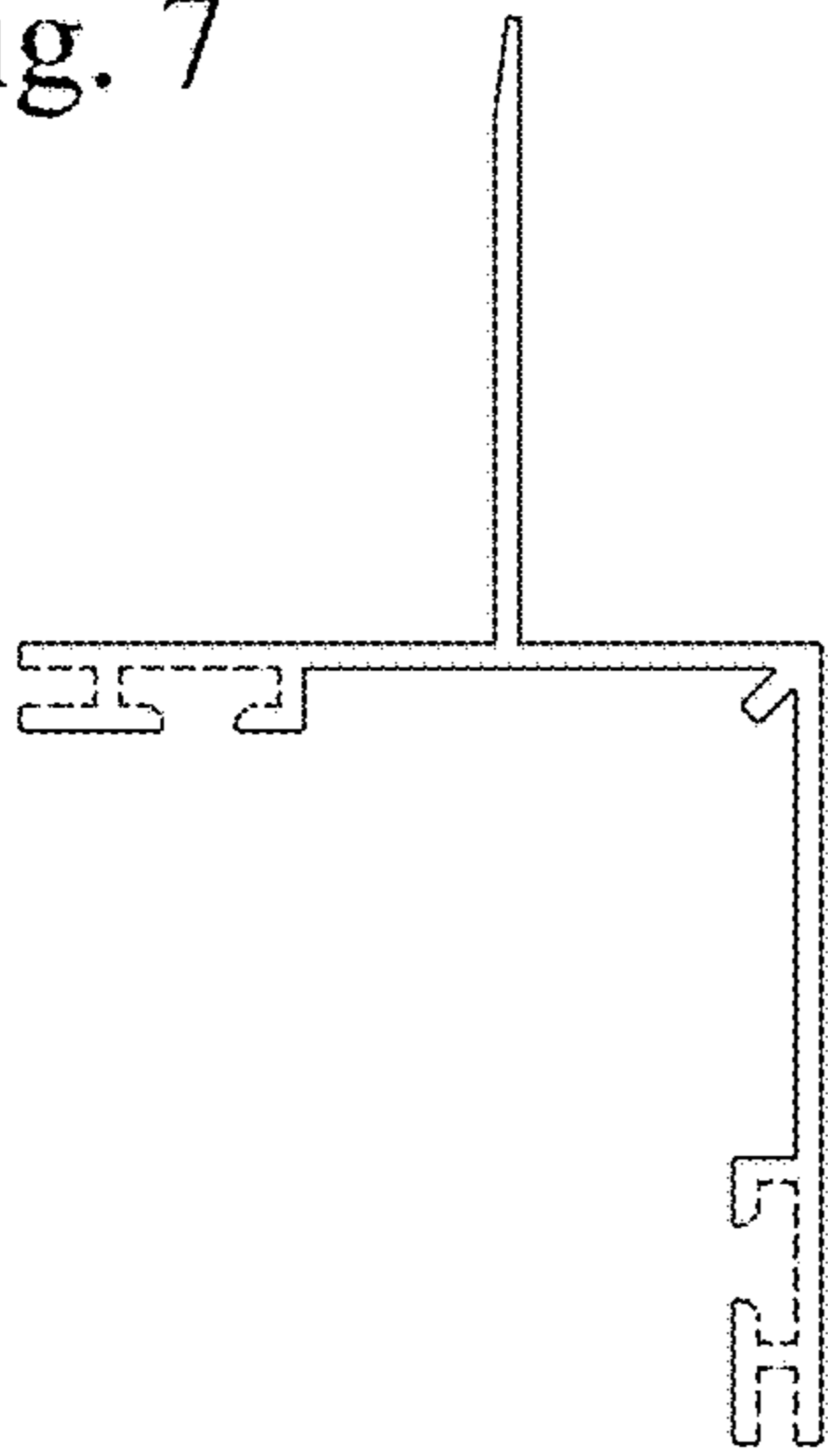


Fig. 9

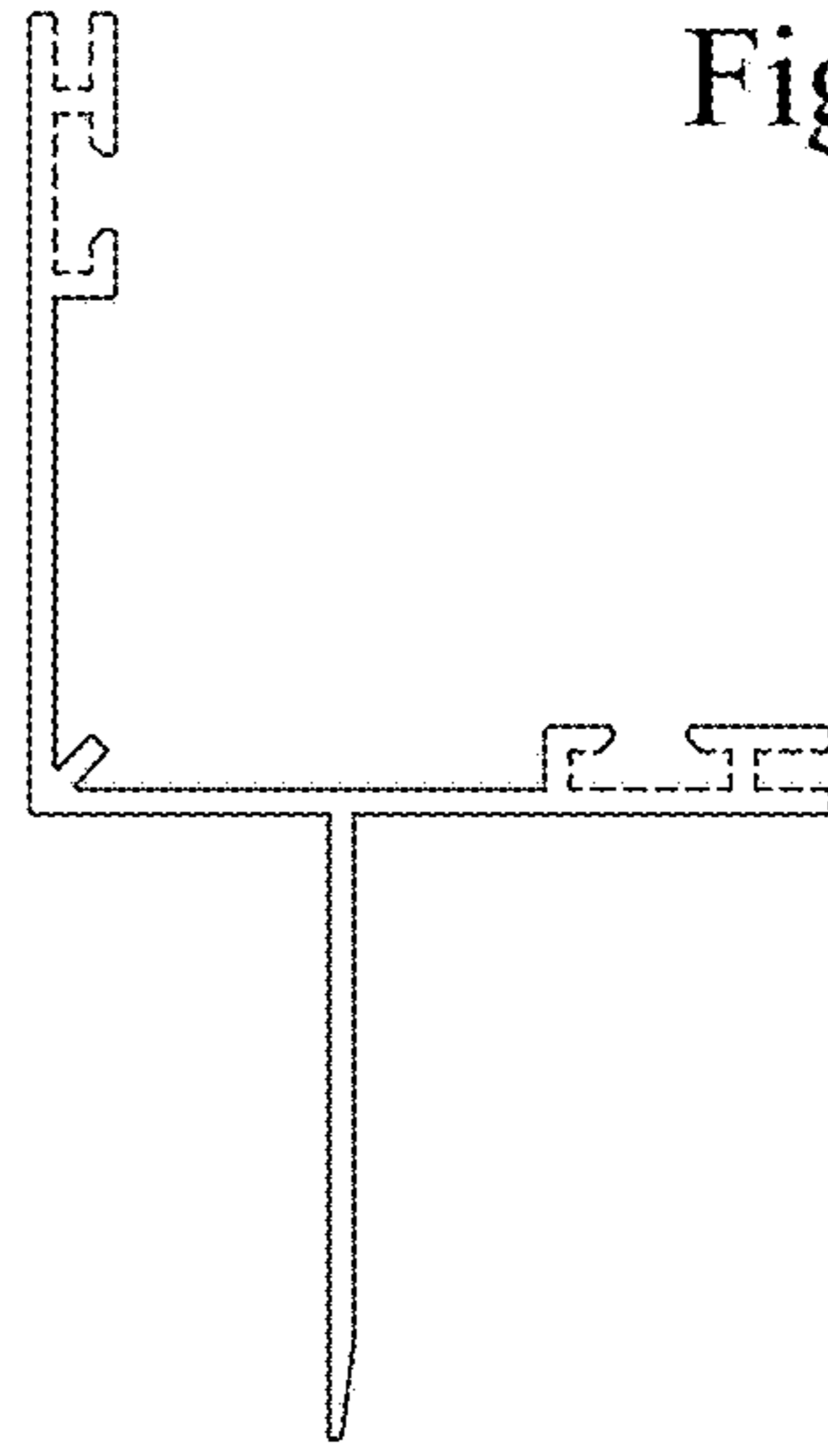


Fig. 8

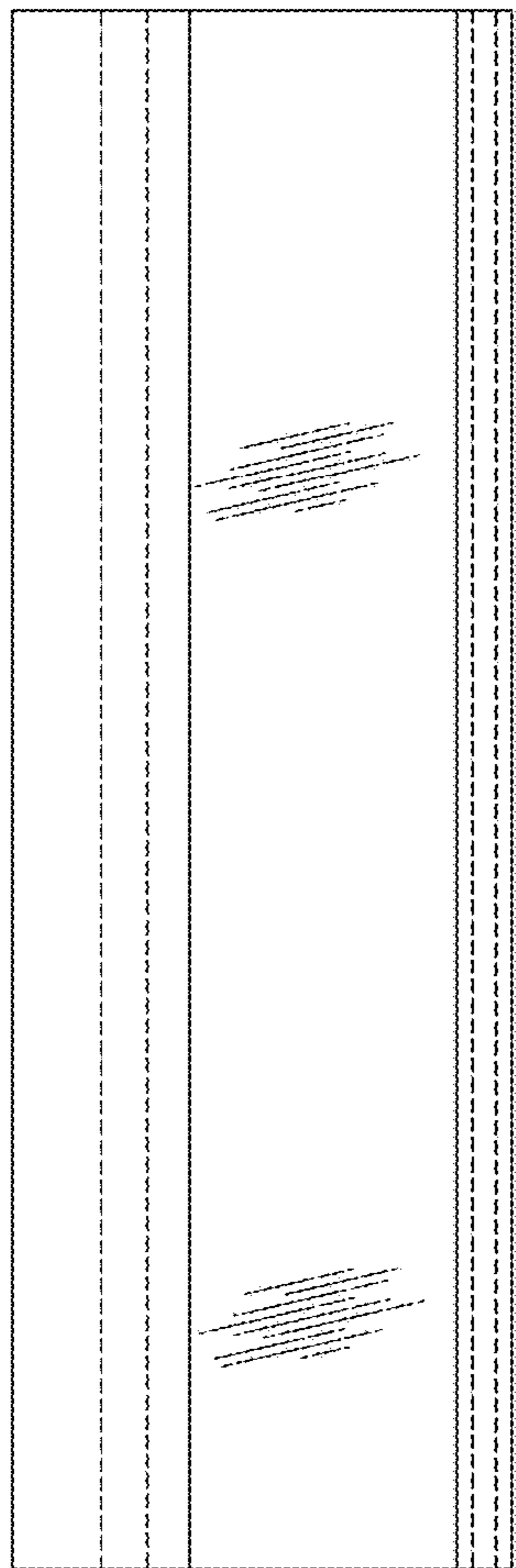


Fig. 10

